

GROVE

GMK5275

**product
guide**

features

- 44 - 223 ft. (13.3 - 68 m) 7 section full power Mega Form boom with Twin Lock pinning
- 39 - 69 ft. (12 - 21 m) hydraulic offset bi-fold swingaway
- 2 x 26 ft. (8 m) intermediate lattice inserts
- 169,700 lb. (77 t) counterweight with hydraulic removal system
- MEGATRAK independent hydro-pneumatic suspension



contents

Features	2
Specifications	3
Dimensions	5
Travel Proposal	6
Specifications	7
Dimensions	9
Travel Proposal	10
Counterweight Dimensions	11
Working Range Main Boom	12
Load Charts	13
Working Range Hydraulic Offset Swingaway	16
Hydraulic Offset Swingaway Charts	18
Working Range Heavy Duty Jib	21
Load Chart Heavy Duty Jib	23



All Terrain Crane

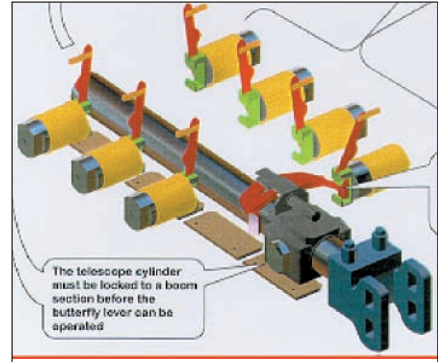
www.manitowoc.com

features

2

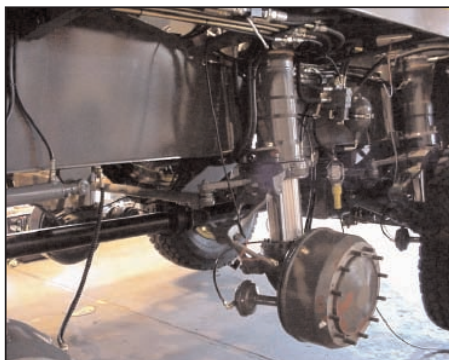
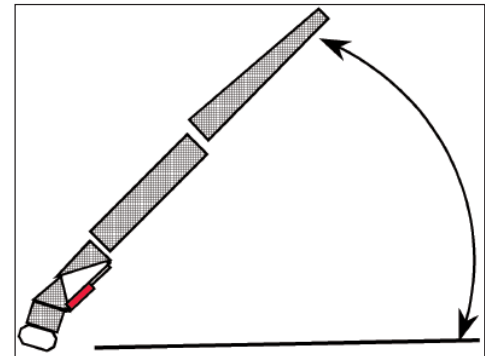


Cummins QSX15, chassis engine
535 bhp (399 kW) @ 2100 rpm 1873
ft./lb. torque (2539 Nm) @ 1400
rpm.

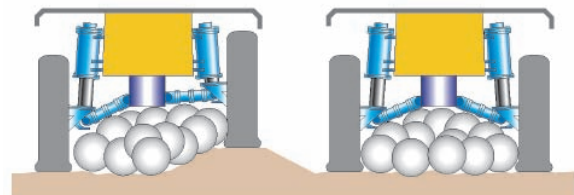


TWIN-LOCK™
Boom pinning mechanism
automatically pins the sections in
position using two horizontal large
diameter boom pins

LUFFING BI-FOLD SWINGAWAY
Hydraulically offset lattice bi-fold
swingaway lets the operator set the
offset from 5°-40° while under load,
from the superstructure cab



The exclusive Grove **MEGATRAK™**
independent suspension system allows all
wheels to be on the ground at all times; now
with top steering on rear axles.



GMK5275

GROVE

specifications

Superstructure – North American Version

Boom

44 ft. - 223 ft. (13.3 m - 68 m) 7 section, full power Mega Form boom with **Twin Lock Pinning**.
Maximum tip height: 233 ft. (71 m)

Boom Nose

Eight nylatron sheaves, mounted on heavy duty tapered roller bearings with removable pin-type rope guards. Quick reeve boom nose. Removable auxiliary boom nose with removable pin type rope guard.

Boom Elevation

Single lift cylinder with safety valve provides boom angle from -1.5° to +83°.

Hydraulic Offsettable Lattice Extension

39 ft. – 69 ft. (12 - 21 m) bi-fold lattice swingaway extension, hydraulically offsettable and luffing under load, 5°- 40°. Maximum tip height: 302 ft (92 m)

Lattice Inserts

2 x 26 ft. (8 m) inserts for use with lattice swingaway extension to increase length to 95 ft. (29 m) or 121 ft. (37 m)
Maximum tip height: 354 ft (107.7 m)

Load Moment & Anti-Two Block System

Load moment and anti-two block system with audio/visual warning and control lever lockout provides electronic display of boom angle, length, radius, tip height, relative load moment, maximum permissible load, load indication and warning of impending two-block condition.

Cab

All aluminum constructed cab with acoustical lining, hydraulic tilted to 20°. Includes tinted safety glass, adjustable operator's seat with hydraulic suspension, opening windows at side and rear, hinged windshield with wiper, sun visor and window shade. Other features include hot water heater/defroster, armrest integrated crane controls and ergonomically arranged instrumentation.

Swing

3 planetary gear boxes with fixed displacement axial piston motors. Infinitely variable to 1.3 rpm. Free swing or hydrostatically engaged brake controlled by swing lever. Swing brake selected by foot operated switch.

Counterweight

169,700 lbs. (77 t) consisting of various sections with hydraulic installation/removal system controlled from the superstructure cab.

Engine

Cummins QSB6.7, 6 cylinder
Horsepower: 220 bhp (164 kW) at 2200 rpm
Torque: 700 ft./lb. (949 Nm) at 1500 rpm
Off-road: EPA/CARB/EUROMOT (III)

Fuel Tank Capacity

61 gal. (230 l)

Electrical System

3 phase alternator: 28V/80A
2 batteries: 12V/170Ah

Hydraulic System

3 separate circuits, 1 axial piston variable displacement pump (load sensing) with electronic power limiting control for crane functions and 2 gear pumps for swing and outrigger functions. Thermostatically controlled oil coolers keep oil at optimum operating temperature.
Hydraulic tank capacity: 242 gal. (915 l)

Hoist

Main and auxiliary hoist are powered by axial piston motor with planetary gear and brake. "Thumb-thumper" hoist drum rotation indicator alerts operator of hoist movement.

	Main	Auxiliary
Rope length:	951 ft. (290 m)	951 ft. (290 m)
Rope diameter:	22 mm	22 mm
Line speed:	410 ft./min. (125 m/min)	410 ft./min. (125 m/min)
Line pull:	21,020 lbs. 93.5 kN)	21,020 lbs. (93.5 kN)

*Optional Equipment

- *Work lights, mounted on boom base section
- *Boom mounted aircraft warning light
- *Timer for diesel heater
- *Radio/CD player for superstructure cab
- *Stainless steel exhaust system with spark arrestor
- *Air conditioning
- *Hook blocks/headache ball
- *Engine independent diesel cab heater, with engine pre-heater
- *Additional cab mounted work light
- *Strobe light
- *Working range limiter
- *Data logger

*Denotes optional equipment

3

GMK5275

GROVE



specifications

4

Carrier – North American Version

Chassis

Box type, torsion resistant frame is fabricated from high strength steel.

Outrigger System

Four hydraulic two stage outrigger beams with vertical cylinders and outrigger pads, 23.6" (600 mm) square . Outrigger can be set in 5 positions:

Full	- 26.6' (8.1 m)
Partial	- 22.4' (6.8 m)
Partial	- 18.4' (5.6 m)
Partial	- 14.4' (4.4 m)
Retracted	- 9.0' (2.7 m)

Independent horizontal and vertical movement controlled from each side of carrier and the superstructure cab. Electronic crane level indicators.

Transmission

Allison 6 speeds forward, 1 reverse
2 speed transfer case

Drive/Steer

10x8x10

Axles

1st axle line – steer
2nd axle line – steer/(optional drive)
3rd axle line – drive/steer (permanent drive with 10x6, disconnects for highway with 10x8)
4th axle line – drive/steer (connects for all wheel steer)
5th axle line – drive/steer
Drive axles with planetary hub reduction and center mounted gearing. Standard inter-axle and cross axle differential locks.

Suspension

Grove exclusive MEGATRAK suspension. Independent hydro-pneumatic system acting on all wheels with hydraulic lockout. Suspension can be raised 6.3" (160 mm) or lowered 4.7" (120 mm), both longitudinally and transversely. Features an automatic leveling system for highway travel.

Tires

10 tires, 16.00R25 (Vehicle width – 10.2' [3.1 m])

Steering

Dual circuit, hydraulic power assisted steering system. Transfer case mounted, ground driven emergency steering pump. Axles 1, 2, 3 and 5 steer on highway. Separate steering of the 4th and 5th axles for all wheel and crab steering, controlled by an electronic rocker switch.

Engine

Cummins QSX15, 6 cylinder
Horsepower: 535 bhp (399 kW) at 2100 rpm
Torque: 1873 ft./lb. (2539 Nm) at 1400 rpm
Off-road: EPA /CARB/EUROMOT (III)
Standard compression brake, disconnected when hydraulic transmission retarder is optioned

Fuel Tank Capacity

105 gallons (397 L).

Electrical System

3 phase alternator: 28V/80A
2 batteries: 12V/170Ah

Brakes

Service brakes: pneumatic dual circuit acting on all wheels.
Parking brake: pneumatically operated spring loaded brake acting on axle lines 2, 3, 4 and 5.
Air dryer.

Cab

Two-man, aluminum construction with the following features: safety glass, driver and passenger seats with hydraulic suspension, engine-dependent hot water heater, power windows, heated rear view mirrors, complete instrumentation and driving controls.

Electrical System

24V system with three phase alternator, 28V/100A
2 batteries, 12V/170 Ah

Maximum Speed

53 mph (85 kph)

Gradeability (Theoretical)

50% - 14.00 tires
45% - 16.00/20.5 tires

Miscellaneous Standard Equipment

Work light; tool kit; fire extinguishers; auxiliary boom nose; radio/CD player in carrier cab, heated rear view mirrors, wind speed indicator.

*Optional Equipment

- *Timer for diesel heater
- *Stainless steel exhaust system with spark arrestor
- *Air conditioning
- *14.00R25 tires (vehicle width 9.8 ft.[3.0 m])
- *20.5R25 tires (vehicle width 10.2 ft.[3.1 m])
- *10x6x10 drive/steer
- *Transmission retarder (in lieu of engine compression brake)
- *Engine independent diesel cab heater, with engine pre-heater
- *Strobe light
- *Work lights for outriggers
- *Spare tire and wheel with carry bracket
- *Aluminum edging for decking
- *Rear mounted stowage box
- *Outrigger pad load indicator
- *Trailer hitch
- *Steel outrigger pads

*Denotes optional equipment

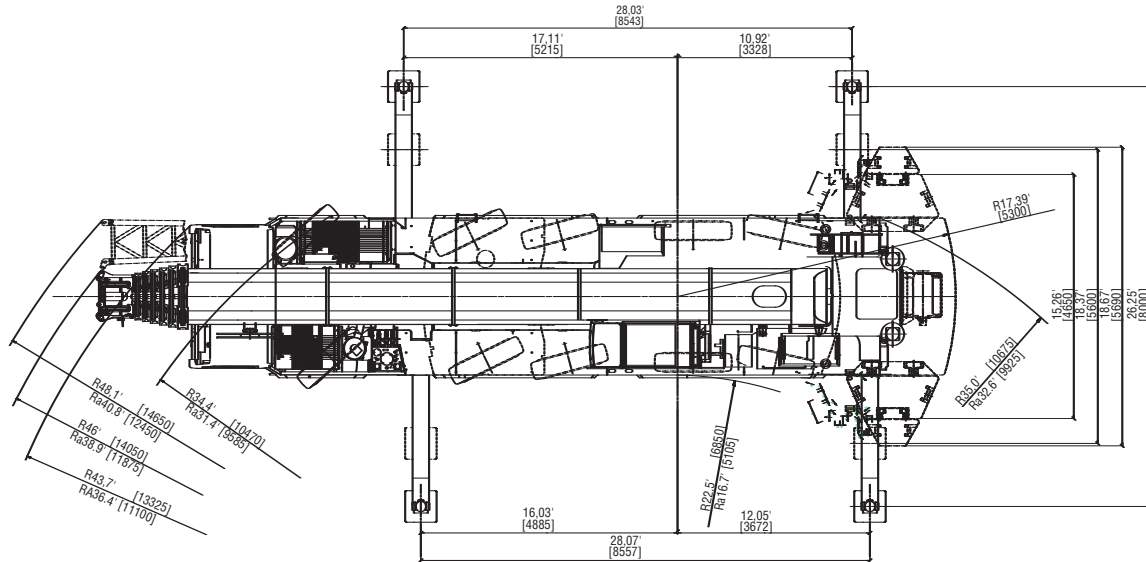
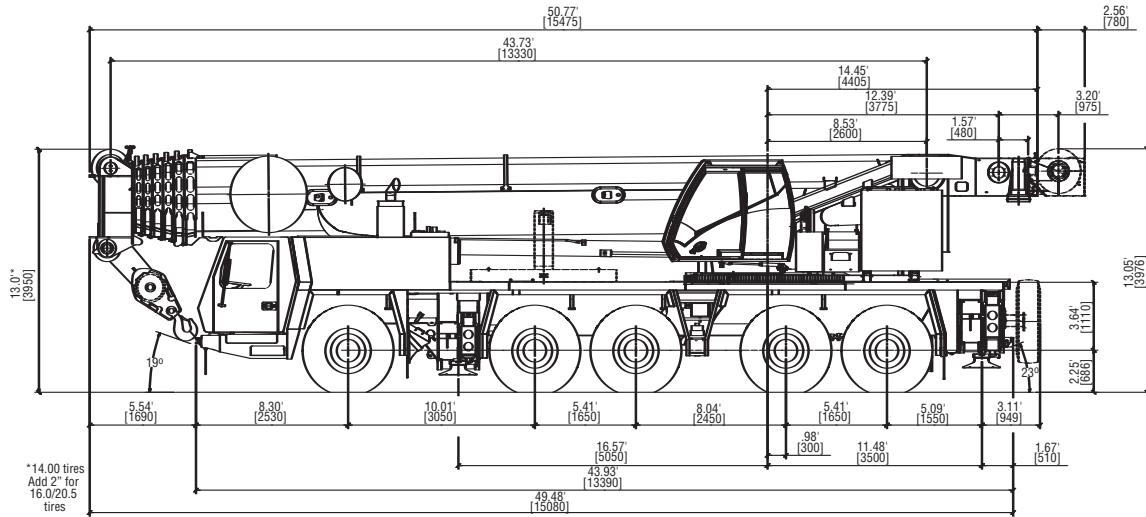
GMK5275

GROVE



dimensions

Weights & Dimensions – North American Version



Basic Weights - lb. (kg.)	Axles 1-3	Axles 4 & 5	Total
Cummins power, 14.00 tires, 10X6X10 drive/steer and driver.	82,561 (37449)	48,249 (21886)	130,810 (59335)
Additions:			
10X8X10 drive/steer	703 (319)	79 (36)	783 (355)
14.00R25 spare tire with bracket	-280 (-127)	864 (392)	584 (265)
16.00R25 spare tire with bracket	-342 (-155)	1,058 (480)	717 (325)
20.5R25 spare tire with bracket	-386 (-175)	1,195 (542)	809 (367)
Brackets and hose reel for swingaway	922 (418)	-326 (-148)	595 (270)
39 ft. - 69 ft. (12 m - 21 m) swingaway	5,060 (2295)	-628 (-285)	4,431 (2010)
Auxiliary hoist	-2,544 (-1154)	6,380 (2894)	3,836 (1740)
Substitutions			
16.00R25 tires	794 (360)	529 (240)	1,323 (600)
20.5R25 tires	1,349 (612)	900 (408)	2,249 (1020)
Remove:			
Boom assembly	-43,641 (-19795)	-2,998 (-1360)	-46,639 (-21155)
Front outriggers	-4,773 (-2165)	606 (275)	-4,167 (-1890)
Rear outriggers	2,273 (1031)	-7,432 (-3371)	-5,159 (-2340)
Front and rear outrigger floats	-157 (-71)	-284 (-129)	-441 (-200)

5

GMK5275

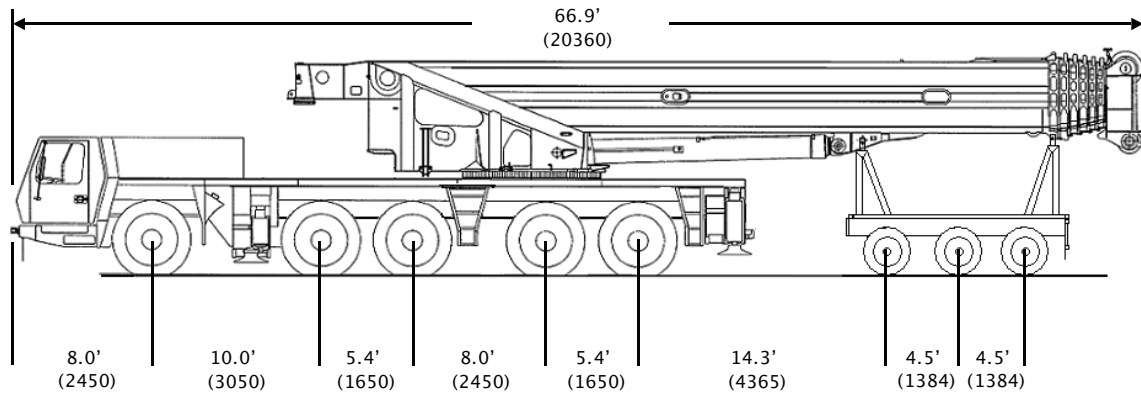
GROVE



trailing boom proposal

Trailing Boom Weights – North American Version

6



Basic Weights - lb. (kg.)	Axles 1-3		Axles 4 & 5		Dolly		Total	
Cummins power, 16.00 tires, 10X8X10 drive/steer, outrigger pads stowed, auxiliary hoist, 69 ft. swingaway stowed, additional oil cooler, 9500 lb. dolly.	67,515 (30625)		39,584 (17955)		44,265 (20078)		151,365 (68659)	
Substitutions								
14.00R25 tires	-794	(-360)	-529	(-240)	-	-	-1,323	(-600)
20.5R25 tires	556	(252)	370	(168)	-	-	926	(420)
10X6X10 drive/steer	-703	(-319)	-79	(-36)	-	-	-783	(-355)
Remove:								
39 ft. - 69 ft. (12 - 21 m) swingaway	-794	(-360)	-355	(-161)	-3,283	(-1489)	-4,431	(-2010)
Auxiliary hoist	-4,145	(-1880)	309	(140)	-	-	-3,836	(-1740)
Front outriggers	-4,773	(-2165)	606	(275)	-	-	-4,167	(-1890)
Rear outriggers	2,273	(1031)	-7,432	(-3371)	-	-	-5,159	(-2340)
Front and rear outrigger floats	-154	(-70)	-287	(-130)	-	-	-441	(-200)

GMK5275

GROVE.

specifications

7

Superstructure – European Version

Boom

44 ft. - 223 ft. (13.3 m - 68 m) 7 section, full power Mega Form boom with **Twin Lock Pinning**.
Maximum tip height: 233 ft. (71 m)

Boom Nose

Eight nylatron sheaves, mounted on heavy duty tapered roller bearings with removable pin-type rope guards. Quick reeve boom nose. Removable auxiliary boom nose with removable pin type rope guard.

Boom Elevation

Single lift cylinder with safety valve provides boom angle from -1.5° to +83°.

Hydraulic Offsettable Lattice Extension

39 ft. – 69 ft. (12 - 21 m) bi-fold lattice swingaway extension, hydraulically offsettable and luffing under load, 5°- 40°. Maximum tip height: 302 ft (92 m)

Lattice Inserts

2 x 26 ft. (8 m) inserts for use with lattice swingaway extension to increase length to 95 ft. (29 m) or 121 ft. (37 m)
Maximum tip height: 354 ft (107.7 m)

Load Moment & Anti-Two Block System

Load moment and anti-two block system with audio/visual warning and control lever lockout provides electronic display of boom angle, length, radius, tip height, relative load moment, maximum permissible load, load indication and warning of impending two-block condition.

Cab

All aluminum constructed cab with acoustical lining, hydraulic tilted to 20°. Includes tinted safety glass, adjustable operator's seat with hydraulic suspension, opening windows at side and rear, hinged windshield with wiper, sun visor and window shade. Other features include diesel heater/defroster, armrest integrated crane controls and ergonomically arranged instrumentation.

Swing

3 planetary gear boxes with fixed displacement axial piston motors. Infinitely variable to 1.3 rpm. Free swing or hydrostatically engaged brake controlled by swing lever. Swing brake selected by foot operated switch.

Counterweight

169,700 lbs. (77 t) consisting of various sections with hydraulic installation/removal system controlled from the superstructure cab.

Engine

Mercedes OM 906 LA, 6 cylinder
Horsepower: 228 bhp (170 kW) at 2200 rpm
Torque: 597 ft./lb. (810 Nm) at 1200 rpm
Off-road: EPA/CARB/EUROMOR (III)

Fuel Tank Capacity

Supplied from chassis fuel tank.

Electrical System

3 phase alternator: 28V/80A
2 batteries: 12V/170Ah

Hydraulic System

3 separate circuits, 1 axial piston variable displacement pump (load sensing) with electronic power limiting control for crane functions and 2 gear pumps for swing and outrigger functions. Thermostatically controlled oil coolers keep oil at optimum operating temperature.
Hydraulic tank capacity: 242 gal. (915 l)

Hoist

Main and auxiliary hoist are powered by axial piston motor with planetary gear and brake. "Thumb-thumper" hoist drum rotation indicator alerts operator of hoist movement.

	Main	Auxiliary
Rope length:	951 ft. (290 m)	951 ft. (290 m)
Rope diameter:	22 mm	22 mm
Line speed:	410 ft./min. (125 m/min)	410 ft./min. (125 m/min)
Line pull:	21,020 lbs. (93.5 kN)	21,020 lbs. (93.5 kN)

*Optional Equipment

- *Work lights, mounted on boom base section
- *Boom mounted aircraft warning light
- *Timer for diesel heater
- *Radio/CD player for superstructure cab
- *Stainless steel exhaust system with spark arrestor
- *Air conditioning
- *Hook blocks/headache ball
- *Engine independent diesel cab heater, with engine pre-heater
- *Additional cab mounted work light
- *Strobe light
- *Working range limiter
- *Data logger

*Denotes optional equipment

GMK5275

GROVE



specifications

8

Carrier – European Version

Chassis

Box type, torsion resistant frame is fabricated from high strength steel.

Outrigger System

Four hydraulic two stage outrigger beams with vertical cylinders and outrigger pads, 23.6" (600 mm) square. Outrigger can be set in 5 positions:

Full	- 26.6' (8.1 m)
Partial	- 22.3' (6.8 m)
Partial	- 18.4' (5.6 m)
Partial	- 14.4' (4.4 m)
Retracted	- 9.0' (2.7 m)

Independent horizontal and vertical movement controlled from each side of carrier and the superstructure cab. Electronic crane level indicators.

Transmission

Allison 6 speeds forward, 1 reverse
2 speed transfer case

Drive/Steer

10x8x10

Axles

- 1st axle line – steer
- 2nd axle line – steer/(optional drive)
- 3rd axle line – drive/steer (permanent drive with 10x6, disconnects for highway with 10x8)
- 4th axle line – drive/steer (connects for all wheel steer)
- 5th axle line – drive/steer

Drive axles with planetary hub reduction and center mounted gearing. Standard inter-axle and cross axle differential locks.

Suspension

Grove exclusive MEGATRAK suspension. Independent hydro-pneumatic system acting on all wheels with hydraulic lockout. Suspension can be raised 6.3" (160 mm) or lowered 4.7" (120 mm), both longitudinally and transversely. Features an automatic leveling system for highway travel.

Tires

10 tires, 16.00R25 (Vehicle width – 10.2' [3.1 m])

Steering

Dual circuit, hydraulic power assisted steering system. Transfer case mounted, ground driven emergency steering pump. Axles 1, 2, 3 and 5 steer on highway. Separate steering of the 4th and 5th axles for all wheel and crab steering, controlled by an electronic rocker switch.

Engine

Mercedes OM 502 LA, 8 cylinder
Horsepower: 563 bhp (420 kW) at 1800 rpm
Torque: 1991 ft.·lb/ (2700 Nm) at 1200 rpm
Off-road: EPA/CARB/EUROMOT (III)

Fuel Tank Capacity

136 gallons (515 L). Supplies superstructure and carrier engines.

Brakes

Service brakes: pneumatic dual circuit acting on all wheels.
Parking brake: pneumatically operated spring loaded brake acting on axle lines 2,3,4 and 5.
Air dryer.

Cab

Two-man, aluminum construction with the following features: safety glass, driver and passenger seats with hydraulic suspension, engine-dependent hot water heater, power windows, heated rear view mirrors, complete instrumentation and driving controls.

Electrical System

24V system with three phase alternator, 28V/100A
2 batteries, 12V/170 Ah

Maximum Speed

53 mph (85 kph)

Gradeability (Theoretical)

50% - 14.00 tires
45% - 16.00/20.5 tires

Miscellaneous Standard Equipment

Work light; tool kit; fire extinguishers; auxiliary boom nose; radio /CD player in carrier cab, heated rear view mirrors, wind speed indicator.

*Optional Equipment

- *Timer for diesel heater
- *Stainless steel exhaust system with spark arrestor
- *Air conditioning
- *14.00R25 tires (vehicle width 9.8 ft.[3.0 m])
- *20.5R25 tires (vehicle width 10.2 ft.[3.1 m])
- *10x6x10 drive/steer
- *Transmission retarder (in lieu of engine compression brake)
- *Engine independent diesel cab heater, with engine pre-heater
- *Strobe light
- *Work lights for outriggers
- *Spare tire and wheel with carry bracket
- *Aluminum edging for decking
- *Rear mounted stowage box
- *Outrigger pad load indicator
- *Trailer hitch
- *Steel outrigger pads

*Denotes optional equipment

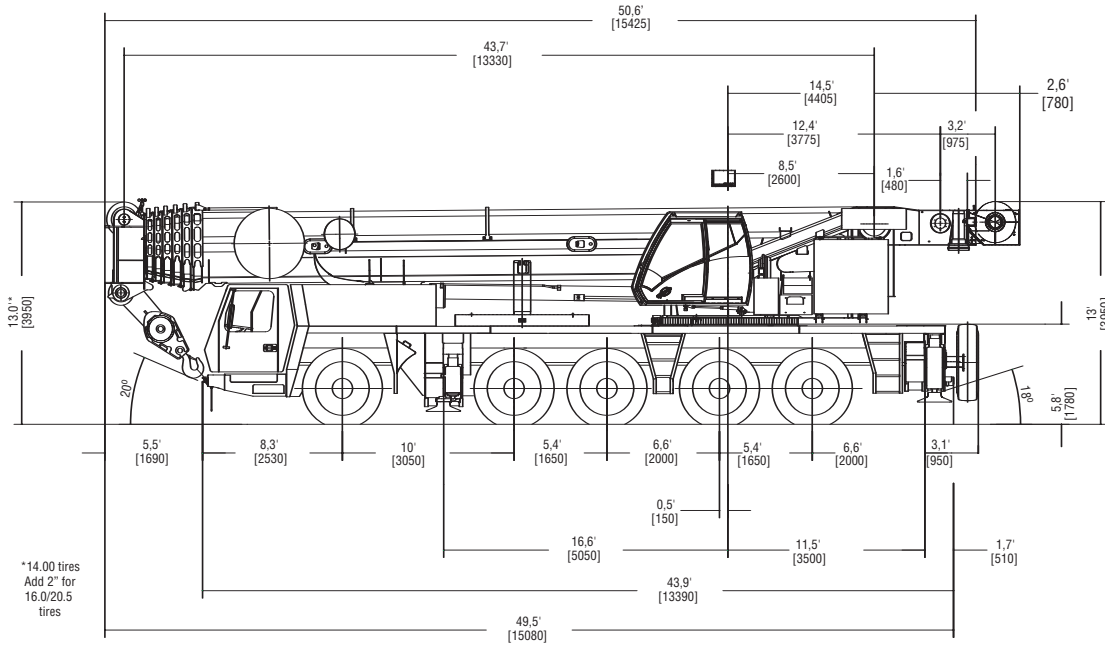
GMK5275

GROVE

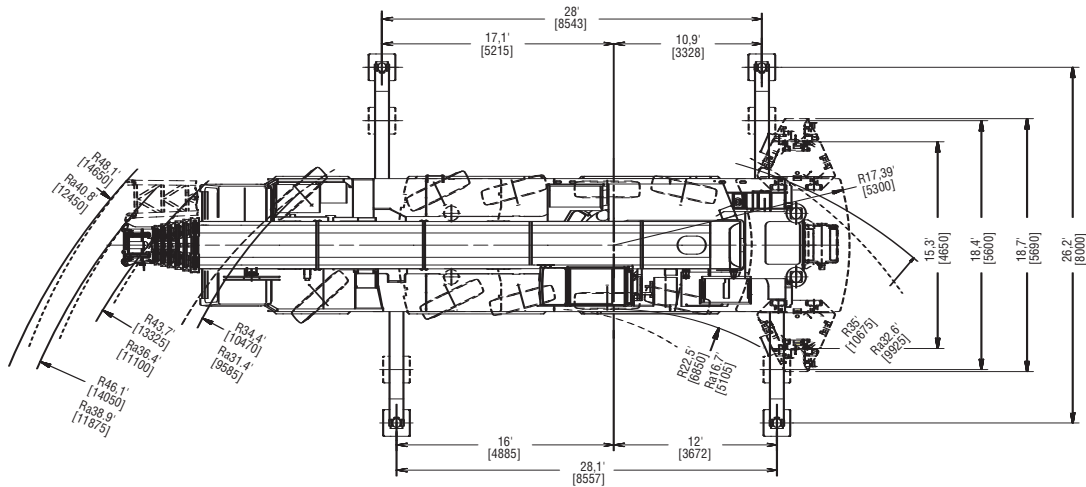


dimensions

Weights & Dimensions – European Version



9



Basic Weights - lb. (kg.)	Axles 1-3		Axles 4 & 5		Total
Mercedes power, 14.00 tires, 10X6X10 drive/steer and driver.	74,810	(33934)	53,354	(24201)	128,164 (58135)
Additions:					
10X8X10 drive /steer	316	(316)	39	(39)	739 (355)
14.00R25 spare tire with bracket	-357	(-162)	941	(427)	584 (265)
16.00R25 spare tire with bracket	-439	(-199)	1,155	(524)	717 (325)
20.5R25 spare tire with bracket	-496	(-225)	1,305	(592)	809 (367)
Brackets and hose reel for swingaway	950	(431)	-355	(-161)	595 (270)
39 ft. - 69 ft. (12 m - 21 m) swingaway	5,117	(2321)	-686	(-311)	4,431 (-2,010)
Auxiliary hoist	-3,124	(-1417)	6,960	(3157)	3,836 (1740)
Substitutions:					
16.00R25 tires	904	(410)	419	(190)	1,323 (600)
20.5R25 tires	1,534	(696)	714	(324)	2,249 (1020)
Remove:					
Boom assembly	-43,270	(-19627)	-3,369	(-1528)	-46,639 (-21155)
Front outriggers	-4,828	(-2190)	661	(300)	-4,167 (-1890)
Rear outriggers	2,950	(1338)	-8,109	(-3678)	-5,159 (-2340)
Front and rear outrigger floats	-130	(-59)	-311	(-141)	-441 (-200)

GMK5275

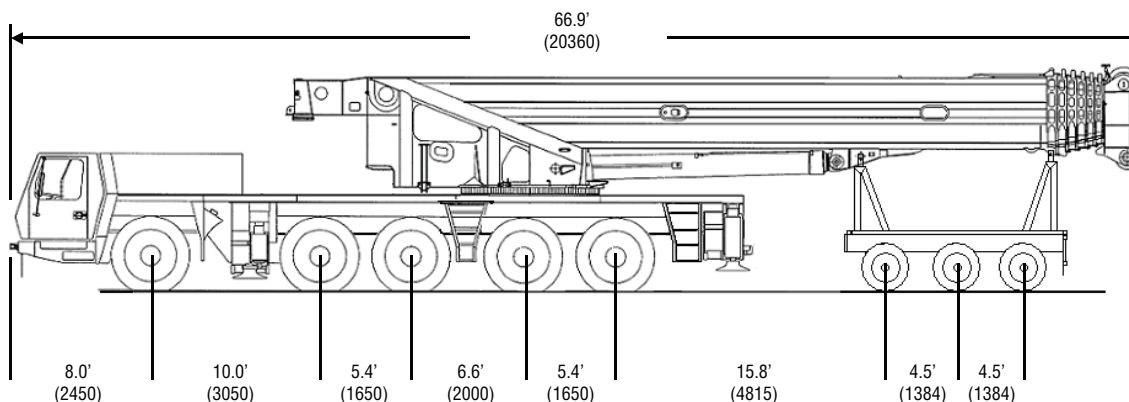
GROVE



trailing boom proposal

Trailing Boom Weights – European Version

10



Basic Weights - lb. (kg.)	Axes 1-3		Axes 4 & 5		Dolly		Total	
Mercedes power, 16.00 tires, 10X8X10 drive/steer, outrigger pads stowed, auxiliary hoist, 69 ft. swingaway stowed, additional oil cooler, 9500 lb. dolly.	60,835 (27594)		44,060 (19985)		44,265 (20078)		149,160 (67658)	
Substitutions								
14.00R25 tires	-904	(-410)	-419	(-190)	-	-	-1,323	(-600)
20.5R25 tires	631	(286)	295	(134)	-	-	926	(420)
10X6X10 drive/steer	-697	(-316)	-86	(-39)	-	-	-783	(-355)
Remove:								
39 ft. - 69 ft. (12 - 21 m) swingaway	-761	(-345)	-388	(-176)	-3,283	(-1489)	-4,431	(-2010)
Auxiliary hoist	-4,173	(-1893)	337	(153)	-	-	-3,836	(-1740)
Front outriggers	-4,828	(-2190)	661	(300)	-	-	-4,167	(-1890)
Rear outriggers	2,950	(1338)	-8,109	(-3678)	-	-	-5,159	(-2340)
Front and rear outrigger floats	-130	(-59)	-311	(-141)	-	-	-441	(-200)

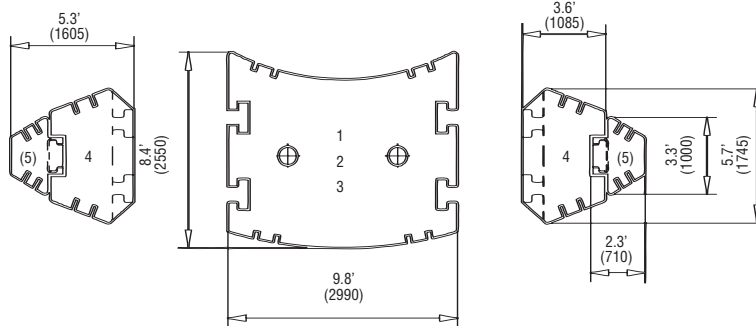
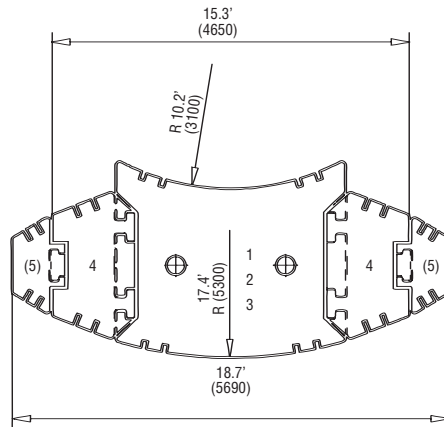
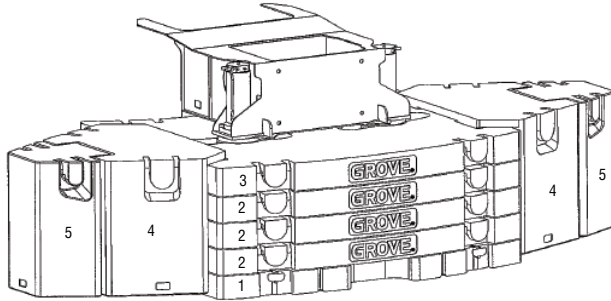
GMK5275

GROVE.



counterweight

11



Counterweight Configuration lb. (kg)

	1 (Baseplate)	2 (Stackable)	3 (Stackable)	4 (Wing)	5 (Wing)
	24,200 (11 000)	22,046 (10 000)	22,046 (10 000)	22,046 (10 000)	6,600 (3 000)
()	•				
()	•	•			
8 ()	•	X			
9 ()	•	X			
()	•	X	•		
(7)	•	X	•	X	
9 7 (77)	•	X	•	X	X

GMK5275

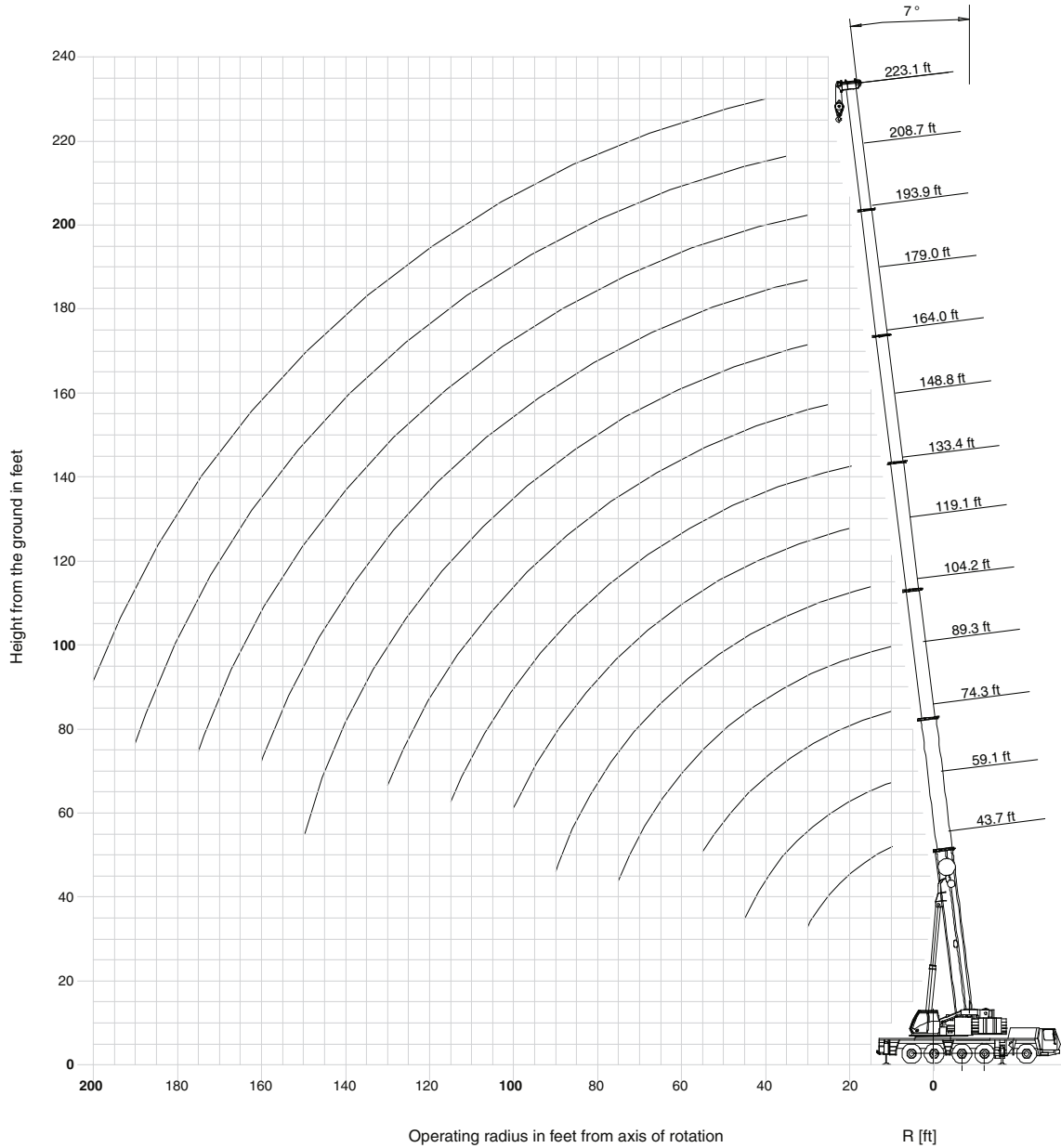
GROVE



working range

44'-223' Main Boom

12



GMK5275

GROVE

THIS CHART IS ONLY A GUIDE AND SHOULD NOT BE USED TO OPERATE THE CRANE. The individual crane's load chart, operating instructions and other instructional plates must be read and understood prior to operating the crane.



load charts



44-223 ft.
(13.3-68 m)



169,700 lbs.
(77,000 kg)



100%
26'-7" spread



360°



Pounds x 1000

13

Feet	43.7'	59.1'	74.3'	89.3'	104.2'	119.1'	133.4'	148.8'	164.0'	179.0'	193.9'	208.7'	223.1'
8	*550.0												
10	346.0	332.0	312.0	244.0									
15	272.0	270.0	260.0	242.0	185.0								
20	220.0	222.0	215.0	212.0	182.0	144.0	106.0						
25	184.0	185.0	181.0	181.0	166.0	140.0	106.0	86.0					
30	152.0	157.0	157.0	155.0	151.0	129.0	105.0	86.0	69.0	55.0	45.0		
35		136.0	136.0	135.0	136.0	118.0	96.0	86.0	69.0	55.0	45.0	36.4	
40		121.0	119.0	118.0	120.0	108.0	88.0	82.0	69.0	55.0	45.0	36.4	30.8
45		99.0	106.0	104.0	106.0	99.0	81.0	75.0	68.0	55.0	45.0	36.4	30.8
50			95.0	93.0	95.0	92.0	76.0	70.0	63.0	55.0	45.0	36.4	30.8
55			83.0	84.0	85.0	85.0	72.0	64.0	59.0	52.0	45.0	36.4	30.8
60				76.0	77.0	79.0	67.0	59.0	54.0	49.0	44.0	36.4	30.8
65				70.0	70.0	72.0	63.0	54.0	50.0	46.0	41.2	36.4	30.8
70				63.0	64.0	66.0	60.0	50.0	47.0	43.4	39.0	36.0	30.8
75				50.0	58.0	61.0	57.0	46.0	43.0	40.4	36.8	34.4	30.8
80					53.0	55.0	54.0	42.8	39.6	37.6	34.8	32.6	30.4
85					49.0	51.0	51.0	40.2	37.2	35.2	33.0	31.0	29.2
90					39.2	46.0	48.0	37.6	34.6	32.8	31.2	29.4	28.0
95						42.4	44.0	35.2	32.4	30.8	29.4	28.0	26.8
100						38.2	40.8	33.2	30.4	28.8	27.8	26.4	25.6
105							37.6	31.4	28.8	27.2	26.4	24.8	24.4
110							34.8	29.6	27.0	25.6	24.8	23.0	23.2
115							30.4	28.0	25.2	23.8	23.0	21.4	22.0
120								26.6	23.2	21.8	21.2	20.4	20.8
125								25.2	21.4	20.0	19.4	19.4	19.4
130								24.4	20.2	19.0	18.4	18.4	18.0
135									19.2	18.0	17.4	17.4	17.2
140									18.2	17.0	16.4	16.6	16.4
145									17.2	16.0	15.6	15.8	15.6
150									12.8	15.4	14.8	15.0	15.0
155										14.8	14.0	14.2	14.2
160										14.4	13.2	13.4	13.6
165											12.6	12.8	13.0
170											11.8	12.2	12.4
175											11.4	11.6	11.8
180												11.0	11.2
185												10.6	10.6
190												9.6	10.2
195													9.6
200													9.2

* Over the rear with special equipment
 Loads greater than 297,000 lb. can only be lifted with additional equipment
 Loads greater than 335,000 lb. can only be lifted with special equipment

GMK5275

THIS CHART IS ONLY A GUIDE AND SHOULD NOT BE USED TO OPERATE THE CRANE. The individual crane's load chart, operating instructions and other instructional plates must be read and understood prior to operating the crane.

GROVE



load charts





14

 **44-223 ft.**
 (13.3-68 m)
 **112,400 lbs.**
 (51,000 kg)
 **100%**
26'-7" spread
 **360°**



Pounds (thousands)

Feet	43.7'	59.1'	74.3'	89.3'	104.2'	119.1'	133.4'	148.8'	164.0'	179.0'	193.9'	208.7'	223.1'
10	336.0	332.0	312.0	244.0									
15	262.0	260.0	258.0	242.0	185.0								
20	210.0	211.0	208.0	210.0	182.0	144.0	106.0						
25	176.0	177.0	176.0	175.0	166.0	140.0	106.0	86.0					
30	149.0	150.0	150.0	148.0	150.0	129.0	105.0	86.0	69.0	55.0	45.0		
35		132.0	130.0	127.0	124.0	118.0	96.0	86.0	69.0	55.0	45.0	36.4	
40		114.0	111.0	110.0	103.0	102.0	88.0	82.0	69.0	55.0	45.0	36.4	30.8
45		95.0	94.0	90.0	88.0	81.0	75.0	75.0	68.0	55.0	45.0	36.4	30.8
50		83.0	82.0	81.0	76.0	76.0	70.0	70.0	63.0	55.0	45.0	36.4	30.8
55			72.0	71.0	72.0	67.0	68.0	64.0	59.0	52.0	45.0	36.4	30.8
60				62.0	64.0	62.0	60.0	57.0	54.0	49.0	44.0	36.4	30.8
65				57.0	56.0	58.0	54.0	50.0	49.0	46.0	41.2	36.4	30.8
70				51.0	50.0	52.0	49.0	45.0	43.8	43.2	39.0	36.0	30.8
75				46.0	45.0	47.0	44.0	40.8	39.6	39.0	36.8	34.4	30.8
80					41.6	42.0	40.0	37.0	35.8	35.4	34.8	32.6	30.4
85					39.2	38.2	36.0	34.2	32.4	32.0	32.0	31.0	29.2
90					35.8	34.6	32.6	32.8	29.4	29.2	29.2	29.4	28.0
95						31.4	29.4	31.4	26.8	26.6	26.6	27.4	26.8
100						28.8	26.8	28.6	24.4	24.4	24.4	25.0	25.6
105							25.2	26.0	22.2	22.8	22.2	23.0	23.6
110							24.2	23.8	20.0	21.2	20.4	21.2	21.8
115							23.4	21.8	18.4	20.2	19.0	19.4	20.2
120								20.0	17.8	19.4	18.0	18.6	18.6
125								18.4	17.0	18.4	17.2	17.6	17.2
130								16.8	16.2	17.8	16.4	16.6	15.8
135									15.6	16.8	15.8	15.8	14.6
140									15.0	15.4	15.0	14.8	13.4
145										14.4	14.2	13.6	12.4
150										13.2	13.2	12.6	11.2
155										12.2	12.2	11.4	10.2
160										11.4	11.2	10.6	9.2
165											10.6	9.6	8.4
170											9.8	8.8	7.6
175											9.2	8.0	6.8
180												7.2	6.0
185												6.6	5.2
190												6.0	4.6
195													4.0
200													3.4

 **44-223 ft.**
 (13.3-68 m)
 **90,300 lbs.**
 (41,000 kg)
 **100%**
26'-7" spread
 **360°**



Pounds (thousands)

Feet	43.7'	59.1'	74.3'	89.3'	104.2'	119.1'	133.4'	148.8'	164.0'	179.0'	193.9'	208.7'	223.1'
10	332.0	328.0	312.0	244.0									
15	256.0	256.0	254.0	242.0	185.0								
20	207.0	208.0	206.0	206.0	182.0	144.0	106.0						
25	172.0	173.0	173.0	171.0	166.0	140.0	106.0	86.0					
30	146.0	149.0	146.0	138.0	131.0	128.0	105.0	86.0	69.0	55.0	45.0		
35		124.0	117.0	114.0	110.0	105.0	96.0	86.0	69.0	55.0	45.0	36.4	
40		102.0	101.0	95.0	94.0	88.0	87.0	82.0	69.0	55.0	45.0	36.4	30.8
45		84.0	85.0	81.0	80.0	76.0	75.0	71.0	68.0	55.0	45.0	36.4	30.8
50			72.0	70.0	70.0	65.0	65.0	61.0	59.0	55.0	45.0	36.4	30.8
55				64.0	61.0	62.0	57.0	54.0	52.0	51.0	45.0	36.4	30.8
60				55.0	56.0	55.0	51.0	47.0	46.0	45.0	44.0	36.4	30.8
65				49.0	51.0	49.0	45.0	42.0	40.6	40.0	39.6	36.4	30.8
70				43.6	45.0	44.0	40.6	39.8	36.2	35.6	35.4	36.0	30.8
75					40.6	39.4	36.4	37.6	32.4	32.0	31.8	32.4	30.8
80					36.6	35.4	33.0	34.0	29.0	29.4	29.2	30.2	29.8
85					33.0	31.6	30.0	31.0	26.4	28.2	27.8	28.6	27.0
90					29.8	28.6	28.6	28.4	25.0	27.0	26.2	26.6	24.6
95						25.8	27.4	25.6	23.2	25.6	24.6	24.4	22.4
100						23.4	25.2	23.2	21.2	24.0	23.0	22.4	20.4
105							22.8	21.0	20.4	22.2	20.8	20.6	18.6
110							21.0	19.0	19.4	20.4	19.8	18.8	17.0
115							19.2	17.2	18.4	18.6	18.4	17.4	15.6
120								16.0	17.8	17.0	17.0	16.0	14.2
125								15.2	17.0	15.8	16.0	14.6	13.0
130								14.6	15.8	15.0	14.6	13.4	11.8
135									14.6	14.2	13.4	12.2	10.6
140									13.4	13.0	12.2	11.2	9.6
145										12.0	11.2	10.0	8.8
150										11.0	10.2	9.0	7.8
155										10.2	9.2	8.2	7.0
160										9.4	8.4	7.4	6.0
165											7.6	6.6	5.2
170											7.0	5.8	4.6
175											6.2	5.2	3.8
180												4.4	3.2
185													3.8
190													3.2
195													
200													

Loads greater than 297,000 lb. can only be lifted with additional equipment
 Loads greater than 335,000 lb. can only be lifted with special equipment

GROVE

THIS CHART IS ONLY A GUIDE AND SHOULD NOT BE USED TO OPERATE THE CRANE. The individual crane's load chart, operating instructions and other instructional plates must be read and understood prior to operating the crane.



load charts

15

	Pounds (thousands)												
	43.7'	59.1'	74.3'	89.3'	104.2'	119.1'	133.4'	148.8'	164.0'	179.0'	193.9'	208.7'	223.1'
10	320.0	318.0	312.0	244.0									
15	248.0	248.0	246.0	242.0	185.0								
20	199.0	200.0	187.0	175.0	158.0	144.0	106.0						
25	154.0	148.0	138.0	128.0	123.0	113.0	106.0	86.0					
30	114.0	111.0	105.0	103.0	96.0	94.0	87.0	81.0	69.0	55.0	45.0		
35		90.0	87.0	83.0	82.0	77.0	71.0	66.0	63.0	55.0	45.0	36.4	
40		72.0	72.0	68.0	68.0	64.0	59.0	59.0	52.0	51.0	45.0	36.4	30.8
45		58.0	60.0	61.0	58.0	54.0	50.0	51.0	43.8	43.0	42.0	36.4	30.8
50			50.0	52.0	50.0	47.0	45.0	43.4	39.2	40.6	39.6	36.0	30.8
55			45.0	46.0	43.2	40.2	41.2	37.4	36.8	37.4	36.6	34.0	30.8
60				39.2	37.8	36.0	36.0	32.6	34.6	34.0	32.2	29.8	27.4
65				33.8	33.2	33.8	31.8	30.6	31.4	30.2	28.4	26.2	24.0
70				29.4	29.0	30.6	28.2	29.0	28.4	26.8	25.2	23.2	21.0
75				22.8	25.4	27.4	25.0	27.0	25.4	24.0	22.4	20.4	18.4
80					22.2	24.2	23.2	24.4	23.0	21.4	20.0	18.2	16.2
85					22.0	21.4	20.8	22.0	20.6	19.2	17.8	16.0	14.2
90					19.6	19.0	19.4	20.0	18.6	17.2	16.0	14.2	12.4
95						17.4	18.4	18.0	16.8	15.6	14.2	12.6	10.8
100						16.6	16.4	16.2	15.2	14.0	12.6	11.0	9.2
105							14.8	14.6	13.8	12.6	11.2	9.8	8.0
110							13.4	13.0	12.4	11.2	10.0	8.4	6.8
115							12.0	11.6	11.0	10.0	8.8	7.4	5.6
120								10.4	9.8	9.0	7.8	6.4	4.6
125								9.4	8.6	8.0	6.8	5.4	3.8
130								8.4	7.6	7.0	6.0	4.6	2.8
135									6.8	6.0	5.2	3.8	
140									6.0	5.2	4.4	3.0	
145										4.4	3.6		
150											3.6	2.8	
155												3.0	
160													

	Pounds (thousands)												
	43.7'	59.1'	74.3'	89.3'	104.2'	119.1'	133.4'	148.8'	164.0'	177.6	192.6		
10	308.0	308.0	286.0	232.0									
15	222.0	185.0	160.0	144.0	125.0								
20	122.0	114.0	105.0	100.0	90.0	79.0	76.0						
25	81.0	80.0	77.0	72.0	65.0	63.0	57.0	56.0					
30	56.0	58.0	57.0	54.0	53.0	49.0	48.0	45.0	41.2	37.6	34.4		
35		44.0	44.0	44.0	42.4	41.2	38.8	36.4	33.4	30.6	28.0		
40		34.2	35.6	36.0	35.0	33.8	32.0	30.0	27.6	25.2	22.8		
45			27.4	28.8	29.6	29.0	28.0	26.6	25.0	23.0	20.8	18.8	
50				23.8	24.8	24.2	23.6	22.4	21.0	19.2	17.2	15.4	
55				19.8	20.8	20.4	20.0	19.0	17.8	16.2	14.4	12.8	
60					17.6	17.4	17.0	16.2	15.0	13.6	12.0	10.4	
65					15.0	14.8	14.6	13.8	12.8	11.4	9.8	8.4	
70					12.6	12.6	12.4	11.8	10.8	9.4	8.0	6.8	
75						5.8	10.8	10.6	10.0	9.2	7.8	6.6	5.2
80							9.2	9.0	8.4	7.6	6.4	5.2	4.0
85							7.6	7.8	7.2	6.4	5.2	4.0	2.8
90							6.2	6.6	6.0	5.2	4.0	2.8	
95								5.4	4.8	4.2	3.0		
100									4.4	4.0			
105										3.2			
110													
115													
120													

Loads greater than 297,000 lb. can only be lifted with additional equipment
 Loads greater than 335,000 lb. can only be lifted with special equipment

GMK5275

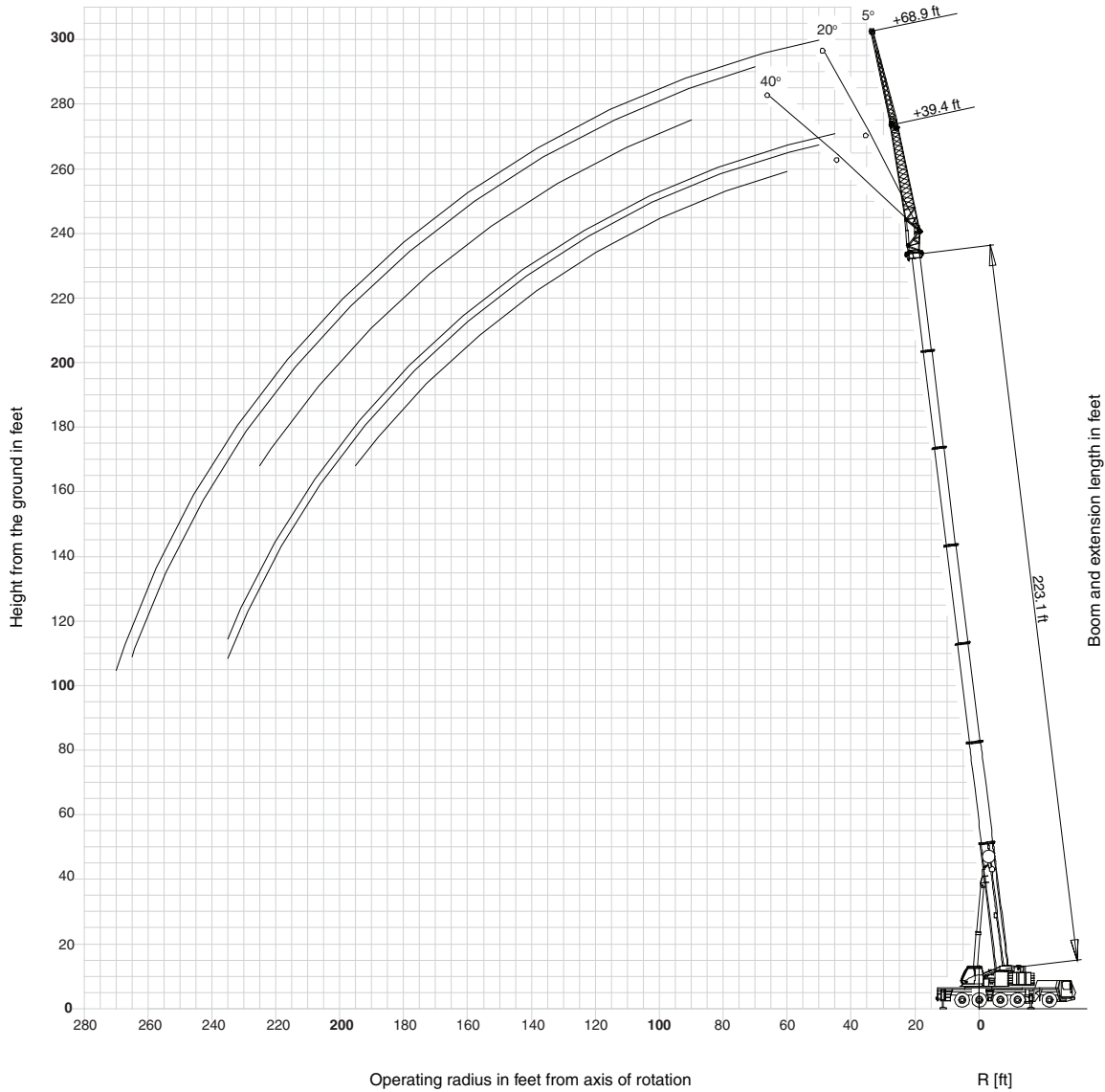
THIS CHART IS ONLY A GUIDE AND SHOULD NOT BE USED TO OPERATE THE CRANE. The individual crane's load chart, operating instructions and other instructional plates must be read and understood prior to operating the crane.

GROVE

working range

223' Main Boom with 39.4 ft. and 68.9 ft. Swingaway

16



GMK5275

GROVE

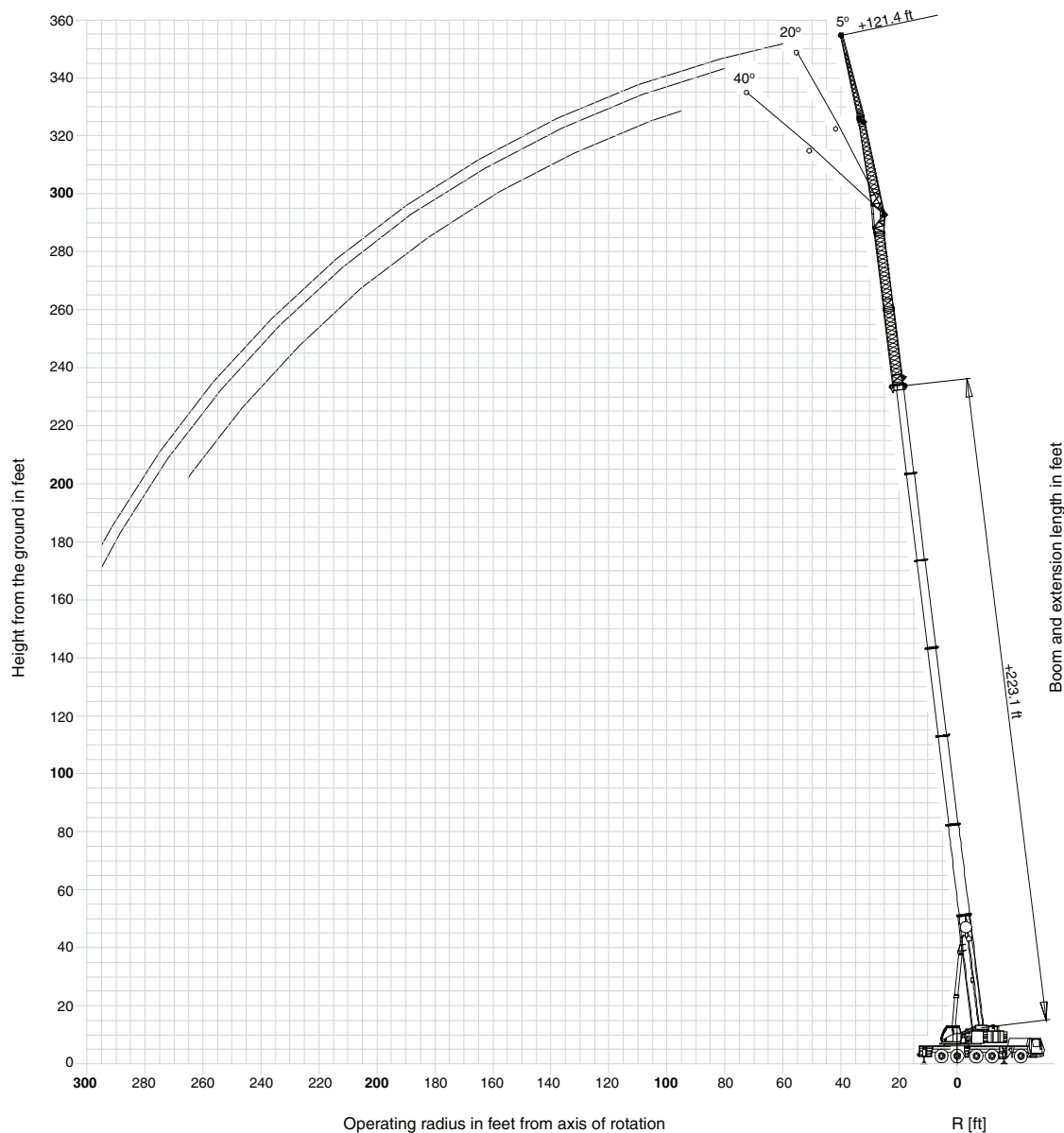
THIS CHART IS ONLY A GUIDE AND SHOULD NOT BE USED TO OPERATE THE CRANE. The individual crane's load chart, operating instructions and other instructional plates must be read and understood prior to operating the crane.



working range

223' Main Boom, 68.9' Swingaway and 2 x 26 ft. Inserts

17



GMK5275

THIS CHART IS ONLY A GUIDE AND SHOULD NOT BE USED TO OPERATE THE CRANE. The individual crane's load chart, operating instructions and other instructional plates must be read and understood prior to operating the crane.

GROVE



load charts

18

 **223 ft.**
(68 m)

 **39.4-68.9-95.1-121.4 lbs.**
(12-21-29-37 m)

 **169,700 lbs.**
(77,000 kg)

 **100%**
26'-7" spread

 **360°**



Pounds (thousands)

Radius	223' + 39.4'			223' + 68.9'			223' + 95.1'			223' + 121.4'		
	5°	5°-20°	20°-40°	5°	5°-20°	20°-40°	5°	5°-20°	20°-40°	5°	5°-20°	20°-40°
	x 1000 lb.											
45	16.4											
50	16.4	16.4		10.0								
55	16.4	16.4		10.0			7.4					
60	16.4	16.4	16.4	10.0			7.4			5.0		
65	16.4	16.4	16.4	10.0			7.4			5.0		
70	16.4	16.4	16.4	10.0	10.0		7.4			5.0		
75	16.4	16.4	16.4	10.0	10.0		7.4	7.4		5.0		
80	16.4	16.4	16.4	10.0	10.0		7.4	7.4		5.0	5.0	
85	16.4	16.4	16.0	10.0	10.0		7.4	7.4		5.0	5.0	
90	16.4	16.2	15.6	10.0	10.0	9.4	7.4	7.4		5.0	5.0	
95	16.4	15.8	15.2	10.0	10.0	9.4	7.4	7.4	7.2	5.0	5.0	4.0
100	16.0	15.2	14.8	10.0	10.0	9.2	7.4	7.4	7.2	5.0	5.0	4.0
105	15.6	14.8	14.4	10.0	10.0	9.2	7.4	7.4	7.2	5.0	5.0	4.0
110	15.0	14.4	14.0	10.0	10.0	9.2	7.4	7.4	7.2	5.0	5.0	4.0
115	14.4	13.8	13.6	10.0	10.0	9.0	7.4	7.4	7.2	5.0	5.0	4.0
120	14.0	13.4	13.2	10.0	10.0	9.0	7.4	7.4	7.2	5.0	5.0	4.0
125	13.6	13.0	12.8	10.0	10.0	9.0	7.4	7.4	7.2	5.0	5.0	4.0
130	13.2	12.6	12.4	10.0	9.8	8.8	7.4	7.4	7.2	5.0	5.0	4.0
135	12.8	12.2	12.2	10.0	9.6	8.8	7.4	7.4	7.2	5.0	5.0	4.0
140	12.4	12.0	11.8	9.8	9.4	8.8	7.4	7.2	7.0	5.0	5.0	4.0
145	12.0	11.6	11.4	9.4	9.0	8.6	7.4	7.2	7.0	5.0	5.0	4.0
150	11.6	11.2	11.2	9.2	8.8	8.6	7.4	7.0	6.8	5.0	4.8	4.0
155	11.2	11.0	11.0	9.0	8.6	8.4	7.2	6.8	6.6	5.0	4.8	4.0
160	11.0	10.6	10.6	8.6	8.4	8.2	7.0	6.6	6.6	5.0	4.8	4.0
165	10.6	10.4	10.4	8.4	8.2	8.0	6.8	6.6	6.4	4.8	4.8	4.0
170	10.2	10.2	10.2	8.2	8.0	8.0	6.6	6.4	6.2	4.8	4.6	4.0
175	9.8	9.8	10.0	8.0	7.8	7.8	6.4	6.2	6.2	4.8	4.6	4.0
180	9.6	9.6	9.6	7.8	7.6	7.6	6.2	6.0	6.0	4.6	4.6	4.0
185	9.2	9.2	9.4	7.6	7.4	7.4	6.0	5.8	5.8	4.6	4.4	4.0
190	8.8	8.8	9.0	7.4	7.2	7.2	5.8	5.6	5.8	4.4	4.4	4.0
195	8.2	8.4	8.6	7.2	7.0	7.0	5.6	5.6	5.6	4.2	4.2	4.0
200	8.0	8.0		7.0	6.8	6.8	5.4	5.4	5.4	4.2	4.0	4.0
205	7.6	7.8		6.8	6.6	6.8	5.2	5.2	5.4	4.0	4.0	4.0
210	7.2	7.4		6.6	6.4	6.6	5.0	5.0	5.2	3.8	3.8	4.0
215	6.8	7.0		6.4	6.4	6.4	5.0	5.0	5.0	3.6	3.8	3.8
220	6.4	6.6		6.2	6.2	6.4	4.8	4.8	5.0	3.6	3.6	3.8
225	6.2	6.2		6.0	6.0	6.2	4.6	4.6	4.8	3.4	3.4	3.6
230	5.8	6.0		5.8	6.0		4.6	4.6	4.6	3.2	3.4	3.6
235	5.4	5.6		5.6	5.8		4.4	4.4	4.6	3.2	3.2	3.4
240				5.2	5.6		4.2	4.2	4.4	3.0	3.2	3.2
245				5.0	5.2		4.2	4.2	4.2	3.0	3.0	3.2
250				4.8	5.0		4.0	4.0		2.8	2.8	3.0
255				4.4	4.6		3.8	4.0		2.8	2.8	3.0
260				4.2	4.4		3.8	3.8		2.6	2.6	2.8
265				4.0	4.0		3.6	3.6		2.6	2.6	2.8
270				3.2			3.4	3.6		2.4	2.4	
275							3.2	3.4		2.4	2.4	
280							3.0	3.0		2.2	2.2	
285							2.6	2.6		2.2	2.2	
290							2.2	2.2		2.0	2.2	
295										2.0	2.0	

GMK5275

GROVE

THIS CHART IS ONLY A GUIDE AND SHOULD NOT BE USED TO OPERATE THE CRANE. The individual crane's load chart, operating instructions and other instructional plates must be read and understood prior to operating the crane.



load charts


223 ft.
(68 m)


39.4-68.9-95.1-121.4 lbs.
(12-21-29-37 m)


112,400 lbs.
(51,000 kg)


100%
26'-7" spread


360°

19



Pounds (thousands)

Radius	223' + 39.4'			223' + 68.9'			223' + 95.1'			223' + 121.4'		
	5°	5°-20°	20°-40°	5°	5°-20°	20°-40°	5°	5°-20°	20°-40°	5°	5°-20°	20°-40°
	x 1000 lb.											
45	16.4											
50	16.4	16.4		10.0								
55	16.4	16.4		10.0			7.4					
60	16.4	16.4	16.4	10.0			7.4			5.0		
65	16.4	16.4	16.4	10.0			7.4			5.0		
70	16.4	16.4	16.4	10.0	10.0		7.4			5.0		
75	16.4	16.4	16.4	10.0	10.0		7.4	7.4		5.0		
80	16.4	16.4	16.4	10.0	10.0		7.4	7.4		5.0	5.0	
85	16.4	16.4	16.0	10.0	10.0		7.4	7.4		5.0	5.0	
90	16.4	16.2	15.6	10.0	10.0	9.4	7.4	7.4		5.0	5.0	
95	16.4	15.8	15.2	10.0	10.0	9.4	7.4	7.4	7.2	5.0	5.0	4.0
100	16.0	15.2	14.8	10.0	10.0	9.2	7.4	7.4	7.2	5.0	5.0	4.0
105	15.6	14.8	14.4	10.0	10.0	9.2	7.4	7.4	7.2	5.0	5.0	4.0
110	15.0	14.4	14.0	10.0	10.0	9.2	7.4	7.4	7.2	5.0	5.0	4.0
115	14.4	13.8	13.6	10.0	10.0	9.0	7.4	7.4	7.2	5.0	5.0	4.0
120	14.0	13.4	13.2	10.0	10.0	9.0	7.4	7.4	7.2	5.0	5.0	4.0
125	13.6	13.0	12.8	10.0	10.0	9.0	7.4	7.4	7.2	5.0	5.0	4.0
130	13.2	12.6	12.4	10.0	9.8	8.8	7.4	7.4	7.2	5.0	5.0	4.0
135	12.8	12.2	12.2	10.0	9.6	8.8	7.4	7.4	7.2	5.0	5.0	4.0
140	12.4	12.0	11.8	9.8	9.4	8.8	7.4	7.2	7.0	5.0	5.0	4.0
145	12.0	11.6	11.4	9.4	9.0	8.6	7.4	7.2	7.0	5.0	5.0	4.0
150	11.2	11.2	11.2	9.2	8.8	8.6	7.4	7.0	6.8	5.0	4.8	4.0
155	10.2	10.2	10.8	9.0	8.6	8.4	7.2	6.8	6.6	5.0	4.8	4.0
160	9.4	9.4	10.0	8.6	8.4	8.2	7.0	6.6	6.6	5.0	4.8	4.0
165	8.6	8.6	9.2	8.4	8.2	8.0	6.8	6.6	6.4	4.8	4.8	4.0
170	7.8	7.8	8.4	8.2	8.0	8.0	6.6	6.4	6.2	4.8	4.6	4.0
175	7.0	7.0	7.6	8.0	7.8	7.8	6.4	6.2	6.2	4.8	4.6	4.0
180	6.4	6.4	6.8	7.2	7.2	7.6	6.2	6.0	6.0	4.6	4.6	4.0
185	5.6	5.6	6.0	6.6	6.6	7.4	6.0	5.8	5.8	4.6	4.4	4.0
190	5.0	5.0	5.4	6.0	6.0	6.8	5.8	5.6	5.8	4.4	4.4	4.0
195	4.4	4.4	4.8	5.4	5.4	6.2	5.4	5.4	5.6	4.2	4.2	4.0
200	3.8	3.8		4.8	4.8	5.6	4.8	4.8	5.4	4.2	4.0	4.0
205	3.2	3.2		4.4	4.4	5.0	4.2	4.2	5.0	4.0	4.0	4.0
210	2.6	2.6		3.8	3.8	4.4	3.8	3.8	4.4	3.6	3.6	4.0
215	2.2	2.2		3.2	3.2	3.8	3.2	3.2	4.0	3.2	3.2	3.8
220				2.8	2.8	3.4	2.8	2.8	3.4	2.6	2.6	3.4
225				2.2	2.2	2.8	2.4	2.4	3.0	2.2	2.2	3.0
230							2.0	2.0	2.6			2.4
235									2.2			2.0

GMK5275

THIS CHART IS ONLY A GUIDE AND SHOULD NOT BE USED TO OPERATE THE CRANE. The individual crane's load chart, operating instructions and other instructional plates must be read and understood prior to operating the crane.

GROVE



load charts

20


223 ft.
(68 m)


39.4-68.9-95.1-121.4 lbs.
(12-21-29-37 m)


90,300 lbs.
(41,000 kg)


100%
26'-7" spread


360°



Pounds (thousands)

Radius	223' + 39.4'			223' + 68.9'			223' + 95.1'			223' + 121.4'		
	5°	5°-20°	20°-40°	5°	5°-20°	20°-40°	5°	5°-20°	20°-40°	5°	5°-20°	20°-40°
	x 1000 lb.											
45	16.4											
50	16.4	16.4		10.0								
55	16.4	16.4		10.0			7.4					
60	16.4	16.4	16.4	10.0			7.4			5.0		
65	16.4	16.4	16.4	10.0			7.4			5.0		
70	16.4	16.4	16.4	10.0	10.0		7.4			5.0		
75	16.4	16.4	16.4	10.0	10.0		7.4	7.4		5.0		
80	16.4	16.4	16.4	10.0	10.0		7.4	7.4		5.0	5.0	
85	16.4	16.4	16.0	10.0	10.0		7.4	7.4		5.0	5.0	
90	16.4	16.2	15.6	10.0	10.0	9.4	7.4	7.4		5.0	5.0	
95	16.4	15.8	15.2	10.0	10.0	9.4	7.4	7.4	7.2	5.0	5.0	4.0
100	16.0	15.2	14.8	10.0	10.0	9.2	7.4	7.4	7.2	5.0	5.0	4.0
105	15.6	14.8	14.4	10.0	10.0	9.2	7.4	7.4	7.2	5.0	5.0	4.0
110	15.0	14.4	14.0	10.0	10.0	9.2	7.4	7.4	7.2	5.0	5.0	4.0
115	14.4	13.8	13.6	10.0	10.0	9.0	7.4	7.4	7.2	5.0	5.0	4.0
120	13.8	13.4	13.2	10.0	10.0	9.0	7.4	7.4	7.2	5.0	5.0	4.0
125	12.6	12.6	12.8	10.0	10.0	9.0	7.4	7.4	7.2	5.0	5.0	4.0
130	11.6	11.6	12.4	10.0	9.8	8.8	7.4	7.4	7.2	5.0	5.0	4.0
135	10.4	10.4	11.2	10.0	9.6	8.8	7.4	7.4	7.2	5.0	5.0	4.0
140	9.4	9.4	10.2	9.8	9.4	8.8	7.4	7.2	7.0	5.0	5.0	4.0
145	8.6	8.6	9.2	9.4	9.0	8.6	7.4	7.2	7.0	5.0	5.0	4.0
150	7.6	7.6	8.4	8.6	8.6	8.6	7.4	7.0	6.8	5.0	4.8	4.0
155	6.8	6.8	7.4	7.8	7.8	8.4	7.2	6.8	6.6	5.0	4.8	4.0
160	6.0	6.0	6.6	7.0	7.0	8.2	6.8	6.6	6.6	5.0	4.8	4.0
165	5.4	5.4	6.0	6.2	6.2	7.4	6.2	6.2	6.4	4.8	4.8	4.0
170	4.8	4.8	5.2	5.6	5.6	6.6	5.4	5.4	6.2	4.8	4.6	4.0
175	4.0	4.0	4.6	5.0	5.0	6.0	4.8	4.8	6.0	4.6	4.6	4.0
180	3.4	3.4	4.0	4.4	4.4	5.4	4.2	4.2	5.2	4.0	4.0	4.0
185	2.8	2.8	3.4	3.8	3.8	4.6	3.6	3.6	4.6	3.6	3.6	4.0
190	2.4	2.4	2.8	3.2	3.2	4.0	3.2	3.2	4.0	3.0	3.0	4.0
195			2.2	2.8	2.8	3.6	2.6	2.6	3.6	2.6	2.6	3.4
200				2.2	2.2	3.0	2.2	2.2	3.0	2.0	2.0	2.8
205						2.4			2.4			2.4
210						2.0			2.0			2.0

GMK5275

GROVE

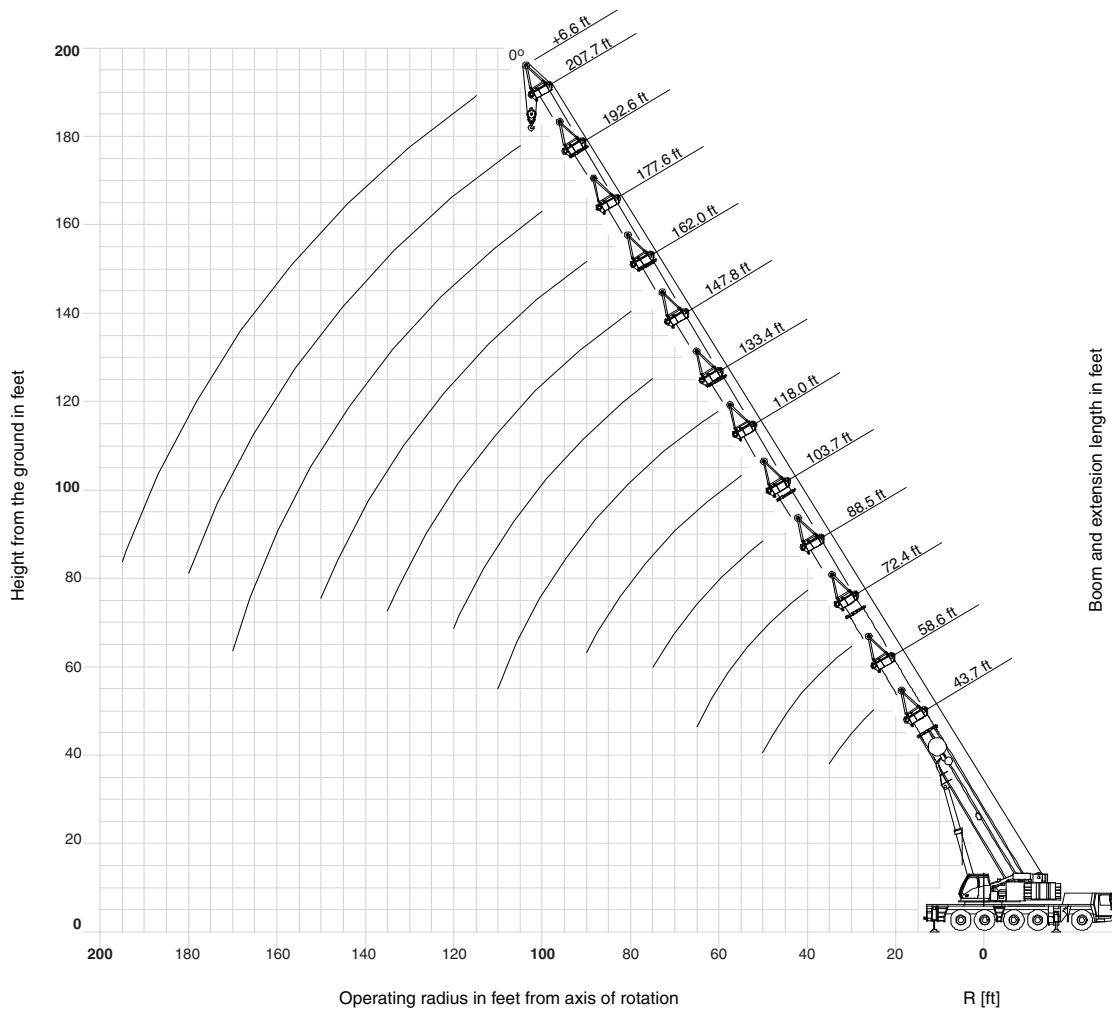
THIS CHART IS ONLY A GUIDE AND SHOULD NOT BE USED TO OPERATE THE CRANE. The individual crane's load chart, operating instructions and other instructional plates must be read and understood prior to operating the crane.



working range

Heavy Duty Jib – 6.6 ft.

21



Boom and extension length in feet

THIS CHART IS ONLY A GUIDE AND SHOULD NOT BE USED TO OPERATE THE CRANE. The individual crane's load chart, operating instructions and other instructional plates must be read and understood prior to operating the crane.

GROVE

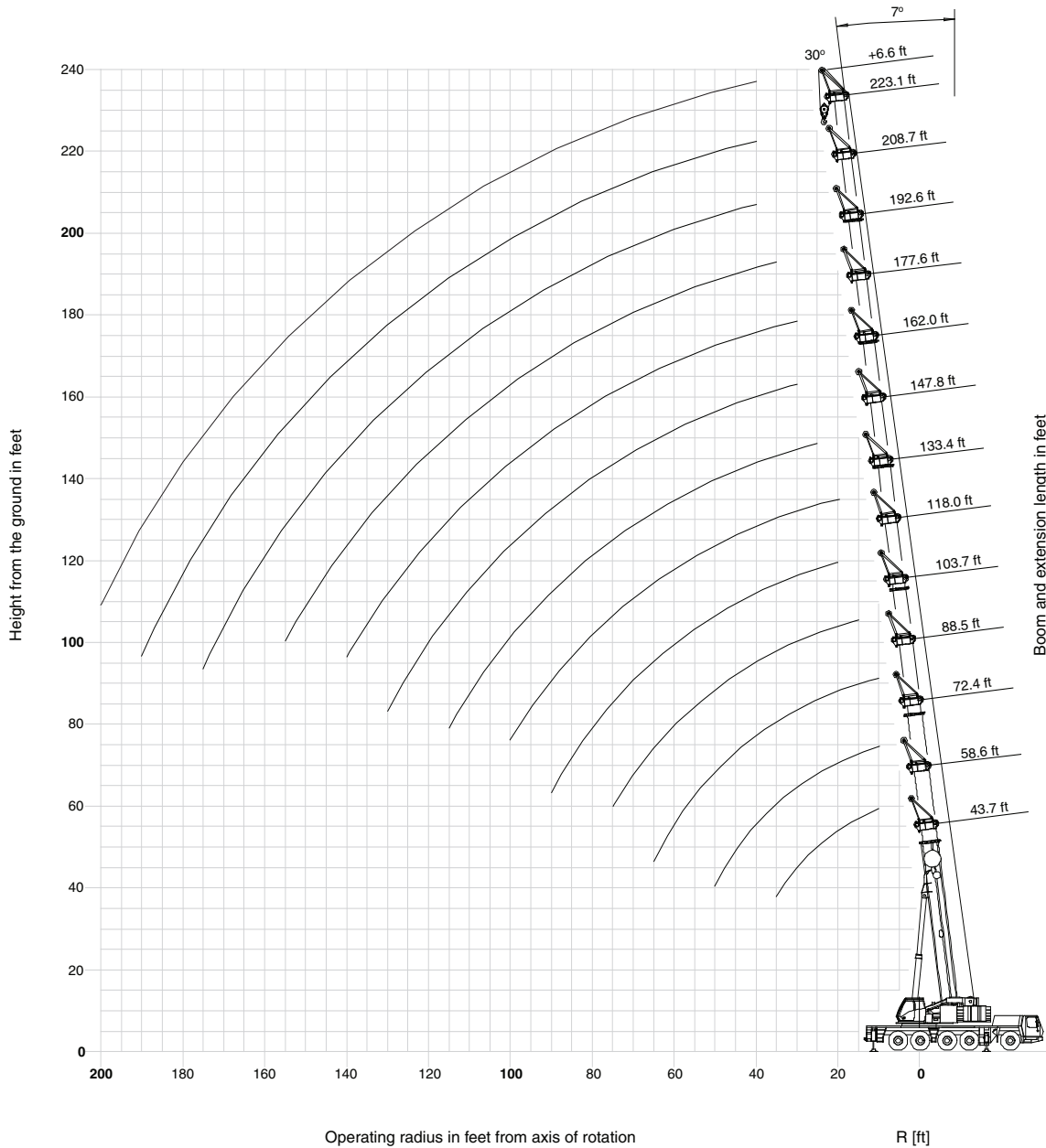
GMK5275



working range

Heavy Duty Jib – 6.6 ft.

22



GMK5275

GROVE

THIS CHART IS ONLY A GUIDE AND SHOULD NOT BE USED TO OPERATE THE CRANE. The individual crane's load chart, operating instructions and other instructional plates must be read and understood prior to operating the crane.



load charts


44-223 ft.
(13.3-68 m)


6.6 ft.


169,700 lbs.
(77,000 kg)


100%
26'-7" spread


360°

23



Pounds (thousands)

Radius	43.7' + 6.6'		88.5' + 6.6'		133.4' + 6.6'		177.6' + 6.6'		223' + 6.6'	
	0°	30°	0°	30°	0°	30°	0°	30°	0°	30°
10		41.8								
15		41.8		41.8						
20		41.8		41.8						
25	41.8	41.8		41.8		41.8				
30	41.8	41.8		41.8		41.8				
35	41.8	41.8		41.8		41.8		41.8		
40				41.8		41.8		41.8		25.0
45				41.8		41.8		41.8		25.0
50			41.8	41.8		41.8		41.8		25.0
55			41.8	41.8		41.8		41.8		25.0
60			41.8	41.8		41.8		41.8		25.0
65			41.8	41.8		41.8		41.8		25.0
70			41.8	41.8		41.8		41.0		25.0
75			41.8	41.8	41.8	41.8		38.8		25.0
80					41.8	41.8		36.6		25.0
85					41.8	41.8		34.4		25.0
90					41.8	41.8		32.4		25.0
95					41.8	41.8		30.4		25.0
100					41.0	41.4	22.8	28.6		24.2
105					37.8	38.2	21.0	26.8		22.8
110					34.8	35.2	20.0	25.2		21.4
115					32.2	32.6	19.2	23.8		20.0
120					28.6		18.4	21.6		19.2
125							17.6	19.8		18.2
130							16.8	18.6		17.4
135							16.2	17.6		16.6
140							15.6	16.6		15.8
145							15.0	15.8		15.0
150							14.4	15.0		14.4
155							14.0	14.2		13.8
160							13.4			13.2
165							13.0			12.6
170							12.2			12.0
175										11.4
180										10.8
185										10.4
190										9.8
195										9.4
200										8.8

GMK5275

THIS CHART IS ONLY A GUIDE AND SHOULD NOT BE USED TO OPERATE THE CRANE. The individual crane's load chart, operating instructions and other instructional plates must be read and understood prior to operating the crane.

GROVE



GROVE®

Regional Headquarters

Americas

Manitowoc, Wisconsin, USA

Tel: +1 920 684 6621

Fax: +1 920 683 6278

Shady Grove, Pennsylvania, USA

Tel: +1 717 597 8121

Fax: +1 717 597 4062

Regional Offices

Americas

Brazil

Alphaville

Tel: +55 11 3103 0200

Fax: +55 11 4688 2013

Mexico

Monterrey

Tel: +52 81 8124 0128

Fax: +52 81 8124 0129

Europe, Middle East, Africa

Algeria

Hydra

Tel: +21 3 21 48 1173

Fax: +21 3 21 48 1454

Czech Republic

Netvorice

Tel: +420 317 78 9313

Fax: +420 317 78 9314

France

Baudemont

Tel: +33 385 28 2589

Fax: +33 385 28 0430

Cergy

Tel: +33 130 31 3150

Fax: +33 130 38 6085

Decines

Tel: +33 472 81 5000

Fax: +33 472 81 5010

Germany

Langenfeld

Tel: +49 21 73 8909-0

Fax: +49 21 73 8909 30

Hungary

Budapest

Tel: +36 13 39 8622

Fax: +36 13 39 8622

Italy

Parabiago

Tel: +390 331 49 3311

Fax: +390 331 49 3330

Europe, Middle East, Africa

Ecully, France

Tel: +33 472 18 2020

Fax: +33 472 18 2000

Netherlands

Breda

Tel: +31 76 578 3999

Fax: +31 76 578 3978

Poland

Warsaw

Tel: +48 22 843 3824

Fax: +48 22 843 3471

Portugal

Alfena

Tel: +351 229 69 8840

Fax: +351 229 69 8848

Lisbon

Tel: +351 212 109 340

Fax: +351 212 109 349

Russia

Moscow

Tel: +7 495 641 2359

Fax: +7 495 641 2358

U.A.E.

Dubai

Tel: +971 4 3381 861

Fax: +971 4 3382 343

U. K.

Middlesex

Tel: +44 1 895 43 0053

Fax: +44 1 895 45 9500

Sunderland

Tel: +44 191 522 2000

Fax: +44 191 522 2052

Asia – Pacific

Australia

Melbourne

Tel: +61 3 9 336 1300

Fax: +61 3 9 336 1322

Sydney

Tel: +61 2 9 896 4433

Fax: +61 2 9 896 3122

Asia – Pacific

Shanghai, China

Tel: +86 21 51113579

Fax: +86 21 51113578

Singapore

Tel: +65 6264 1188

Fax: +65 6862 4142

China

Beijing

Tel: +86 10 58674761

Fax: +86 10 58674760

Xi'an

Tel: +86 29 87891465

Fax: +86 29 87884504

Korea

Seoul

Tel: +82 2 3439 0400

Fax: +82 2 3439 0405

Philippines

Makati City

Tel: +63 2 844 9437

Fax: +63 2 844 4712

Factories

Brazil

Alphaville

China

Zhangjiagang

France

Charlieu

La Clayette

Moulins

Germany

Wilhelmshaven

India

Calcutta

Pune

Italy

Niella Tanaro

Portugal

Baltar

Fânzeres

Slovakia

Saris

U.S.A.

Manitowoc

Port Washington

Shady Grove



www.manitowoc.com

Bigge Crane and Rigging Co.

10700 Bigge Avenue

San Leandro, CA 94577

Phone: (888) 337-BIGGE or (510) 638-8100

Fax: (510) 639-4053

Email: info@bigge.com

Web site: www.bigge.com

Constant improvement and engineering progress make it necessary that we reserve the right to make specification, equipment and price changes without notice. Illustrations shown may include optional equipment and accessories, and may not include all standard equipment.

©2008 MANITOWOC

Printed in USA

Form No. GMK5275 PG

Part No. 06-002 / 0408 / 1M

