



STINGER 3063B | Boom Truck Crane

BOOM TRUCK CRANE STINGER 3063B



FEATURES

- ▶ 30,000 lb (13 607 kg) maximum lifting capacity
- ▶ 73' (22.25 m) maximum sheave height
- ▶ 113' (34.44 m) maximum sheave height with 24-40' (7.31-12.19 m) jib
- ▶ 25-63' (7.62-19.20 m) three-section full power fully synchronized boom
- ▶ Exclusive color coded boom and load charts
- ▶ Easy-to-install optional 24' (7.30 m) one stage or 24-40' (7.31-12.19 m) two stage telescoping jib, man baskets or work platform increase job capacities
- ▶ Electronic Load Moment Indicator and anti-two-block device standard
- ▶ Externally located planetary rotation drive for easy accessibility for maintenance
- ▶ 2-speed planetary winch has 10,500 lb (4 763 kg) maximum permissible 1 part line, 37,000 lb (16 782 kg) breaking strength, 186 ft/min (57 m/min) maximum line speed
- ▶ Dual control station with direct mechanically controlled hydraulic system
- ▶ 70 gal (266 L) capacity hydraulic tank





BOOM TRUCK CRANE STINGER 3063B

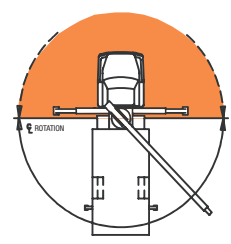
LOAD RATINGS CAUTION Do not use this specification sheet as a load rating chart. The format of data is not consistent with the machine chart and may be subject to change.

BOOM LENGTH											Maximum Load Chart in pounds (lbs) with fully extended outrigger										
OPERATING RADIUS (FT)	25 FT		35 FT		44 FT		53 FT		63 FT		OPERATING RADIUS (FT)	25 FT		35 FT		44 FT		53 FT		63 FT	
	LOADED BOOM ANGLE (DEG)	LOAD RATING (LB)	LOADED BOOM ANGLE (DEG)	LOAD RATING (LB)	LOADED BOOM ANGLE (DEG)	LOAD RATING (LB)	LOADED BOOM ANGLE (DEG)	LOAD RATING (LB)	LOADED BOOM ANGLE (DEG)	LOAD RATING (LB)		LOADED BOOM ANGLE (DEG)	LOAD RATING (LB)	LOADED BOOM ANGLE (DEG)	LOAD RATING (LB)	LOADED BOOM ANGLE (DEG)	LOAD RATING (LB)	LOADED BOOM ANGLE (DEG)	LOAD RATING (LB)	LOADED BOOM ANGLE (DEG)	LOAD RATING (LB)
5	78	30,000*									5										
8	68	20,150*	74	15,800*	78	15,625*					8										
10	63	17,050*	72	14,750*	76	14,300*	78	12,600*			10										
12	56	14,650*	68	12,650*	73	12,200*	76	11,875*	79	9,500*	12										
15	49	12,125*	63	10,475*	69	10,050*	73	9,700*	76	8,200*	15										
20	31	8,900*	53	8,050*	62	7,725*	67	7,400*	71	6,800*	20										
25			42	6,400*	54	6,075*	61	5,975*	66	5,575*	25										
30			26	4,875*	45	4,975*	55	4,750*	61	4,475*	30										
35					35	4,100*	48	4,000*	56	3,725*	35										
40					20	3,100*	39	3,325*	50	3,100*	40										
45							30	2,775*	43	2,600*	45										
50							15	2,200*	36	2,250*	50										
55									27	1,900*	55										
60									13	1,450*	60										

NOTE: STRUCTURAL STRENGTH RATINGS IN CHART ARE INDICATED WITH AN ASTERISK (*).

AREA OF OPERATION

DO NOT OPERATE IN SHADED AREA WITHOUT OPTIONAL FRONT STABILIZER



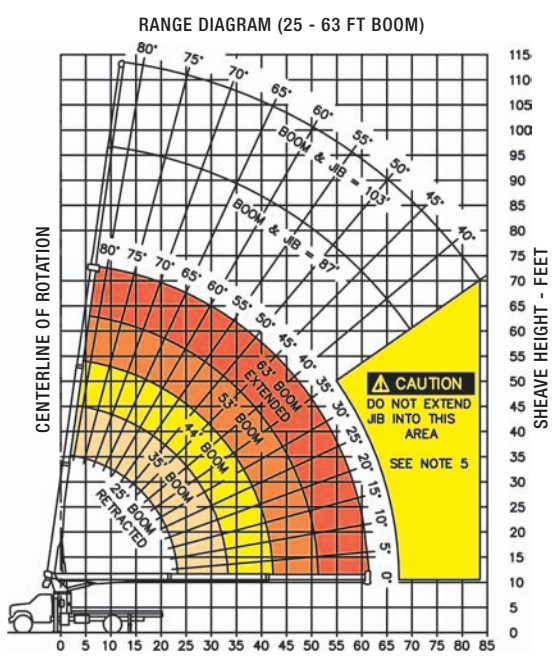
DEDUCTIONS FROM RATED LOADS FOR LOAD HANDLING DEVICES

Auxiliary Block	50 lbs
Overhaul Ball	125 lbs
Crane Load Block	200 lbs

STOWED JIB DEDUCTIONS (POUNDS)										
	450	325	250	200	175					

JIB CAPACITIES FOR ALL BOOM LENGTHS VERIFY OPERATIONAL MODE SETTING ON LMI DISPLAY BEFORE LIFTING WITH JIB

Loaded Boom Angle	35°	40°	45°	50°	55°	60°	65°	70°	75°	80°
Retracted 24 ft Jib	700	825	1,000	1,150	1,340	1,600	1,900	2,300	3,100	4,160
Extended 40 ft Jib	520	580	650	730	810	930	1,080	1,400	1,810	2,260



GENERAL NOTES

- The operator must read and understand the Owner's Manual before operating this crane.
- Positioning or operation of crane beyond areas shown on this chart is not intended or approved except where specified in Owner's Manual.
- Loaded boom angles at specified boom lengths give only an approximation of the operating radius. The boom angle before loading should be greater to account for deflections. Do not exceed the operating radius for rated loads.
- Use rating of next longer boom for boom lengths not shown. Use rating of next greater radius for load radii not shown.
- Boom must be fully retracted when jib is erected before lowering below minimum angle. Retracted jib has no lifting capacity below a 50° boom angle.
- Use rating of next lower boom angle for boom angles not shown on jib load rating chart.
- Lifting off the main boom point while the swing around jib is erected is not intended or approved.
- Do not lower boom into this area, as hydraulic pressure will not allow raising the boom without retracting boom first.
- Crane load ratings on outriggers are based on freely suspended loads with the machine leveled and standing on a firm uniform supporting surface. No attempt shall be made to move a load horizontally on the ground in any direction.
- Practical working loads depend on supporting surface, wind and other factors affecting stability such as hazardous surroundings, experience of personnel, and proper handling, must all be taken into account by the operator.
- The maximum load which may be telescoped is limited by hydraulic pressure, boom angle, and boom lubrication. It is safe to attempt to telescope any load within the limits of the load rating chart.

INFORMATION

- Deductions must be made from rated loads for stowed jib, optional attachments, hooks and loadblocks (see deduction chart). Weights of slings and other load handling devices shall be considered a part of the load.
- Crane load ratings with outriggers are based on outriggers and stabilizers extended and set with all load removed from the carrier wheels.
- Load ratings do not exceed 85% of tipping load.

DEFINITIONS

- Operating radius is the horizontal distance from the axis of rotation to the center of the vertical hoist line or load hook with load suspended.
- Loaded boom angle as shown in the Load Ratings Chart is the included angle between the horizontal and longitudinal axes of the boom base after lifting rated load at rated radius.



BOOM TRUCK CRANE STINGER 3063B

WINCH DATA				
		1 Part Line	2 Part Line	3 Part Line
Winch	Cable Supplied	Lift and Speed	Lift and Speed	Lift and Speed
Standard Stationary Winch	9/16" Diam IWRC XXIP	10,500 lb 186 fpm	21,000 lb 93 fpm	30,000 lb 62 fpm
	9/16" Diam Rotation Resistant	6,720 lb 186 fpm	13,440 lb 93 fpm	20,160 lb 62 fpm

BLOCK TYPE	
Overhaul Ball	Rating: 6.25 ton (5.7 mt)
1 Sheave Block	Rating: 17.5 ton (15.9 mt)

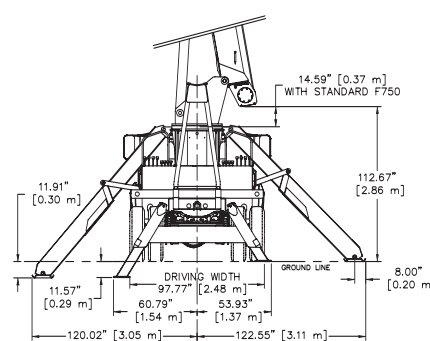
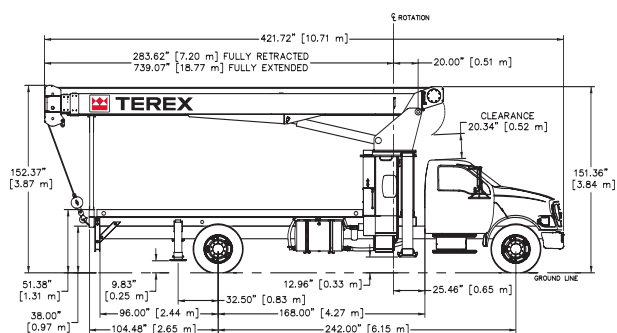
CAUTION ⚠️

Overload and anti-two block systems must be in good operating condition before operating crane. Refer to Owners Manual.

Keep at least 3 wraps of loadline on drum at all times.

Use only 9/16" diameter cable with 37,000 lb. breaking strength on this machine.

1 MOUNTING CONFIGURATION Behind Cab Mounting Configuration



CARRIER PROVIDED BY TEREX	
STINGER 3063B - Behind Cab Mounting Configuration	
▶ Manufacturer	Ford F-750 4 x 2 Chassis
▶ Standard Engine	Caterpillar C-7 7.2L I-6
▶ Standard Horsepower	210 hp @ 2,500 rpm
▶ Standard Torque	605 lb. ft. @ 1,440 rpm
▶ Full Tank Capacity	45 gal (170 L)
▶ Standard Transmission	Spicer ES066-7B
▶ Speed Standard Transmission	Manual 7-speed
▶ Max Speed Standard Transmission	74 mph (118.4 km/h)
▶ Max Gradeability	17.7% in 1st
▶ Standard Transmission	15.8% in Rev
▶ Optional Transmission	Allison
▶ Speed Optional Transmission	Automatic 5-speed
▶ Max Speed Optional Transmission	74 mph (118.4 km/h)
▶ Max Gradeability	21.1% in 1st
▶ Optional Transmission	30.5% in Rev
▶ Gross Vehicle Weight Rating	33,000 lb (14 969 kg)
▶ Front Axle Weight Rating	12,000 lb (5 443 kg)
▶ Rear Axle Weight Rating	21,000 lb (9 526 kg)
▶ Front Tires	22.5" x 8.25" 11R22.5 G Goodyear G159
▶ Rear Tires	22.5" x 7.5" 11R22.5 G Goodyear G167A
▶ Brakes	Air, Hydraulic Anti-Lock System
▶ Exhaust Position	Horizontal Left Side

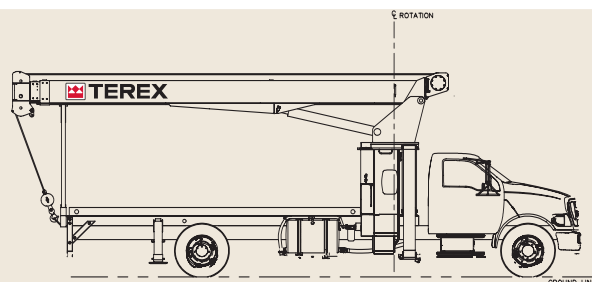
INCLUDED OPTIONS	
▶ Fuel Tank (45 gal) 175 L	
▶ Power steering	
▶ Electric Horn	
▶ Factory A/C	
▶ Power Port (Cigar Lighter)	
▶ AM/FM Radio w/ Clock	
▶ Dual West Coast Stainless Rear View Mirrors	
▶ Standard Factory Warranty	

CHASSIS RECOMMENDATIONS	
STINGER 3063B - Behind Cab Mounting Configuration	
▶ Combined Axle Weight Rating	33,000 lb (14 969 kg)
▶ Front Axle Weight Rating	12,000 lb (5 443 kg)
▶ Rear Axle Weight Rating	21,000 lb (9 526 kg)
▶ Wheel base	242 in (6.15 m)
▶ Cab to Axle	168 in (4.27 m)
▶ Afterframe	60 in (1.53 m)
▶ Frame Section Modulus	16.98 in ³ (278 cm ³)
▶ RBM per Frame Rail	1,400,000 in/lb (16 130 kg/m)
▶ Frame Height (Unloaded)	40" (762 cm)
▶ Exhaust Position	Horizontal Left Side





STINGER 3063B | Boom Truck Crane



BOOM

- ▶ 25-63' (7.62-19.20 m) three-section full power mechanically synchronized boom. Patented keel boom design utilizes a keel shaped base plate combined with a deep, four plate boom section to optimize strength / rigidity-to-height ratio. Exclusive, patented color-coded boom and load charts allow the operator to easily determine boom extension, boom angle and load capacity. Maximum tip height with three-section 25-63' (7.62-19.20 m) boom is 73' (22.25 m). Maximum tip height with optional two-stage 24-40' (7.31-12.19 m) jib is 113' (34.44 m).

WINCH

- ▶ Hydraulic winch with gear motor and planetary reduction gearing provides 2-speed operation. First layer rope pull is 11,400 lb (5 170 kg). Wire rope size is 9/16" (14 mm) with 37,000 lb (16 783 kg) breaking strength.

OPERATING SPEEDS

- ▶ Mainframe / turret assembly planetary gear rotation provides 180° rotation (370° with optional front bumper outrigger). Swing rotation is 55 seconds. Boom up/down is 25/16 seconds and boom extend/retract is 54/26 seconds.

HYDRAULICS

- ▶ Three-section pump allows the operator to perform simultaneous crane operations (winch, boom and swing). Capacities are 32, 17 and 8 gpm (122, 64 and 30 L/m). Hydraulic tank capacity is 70 gal (265 L/m).

CONTROLS

- ▶ Fully proportional, excellent metering characteristics for precise boom movements. Independent outrigger controls allow the crane to be stable and level in rigorous working conditions. Load Moment Indication System has audio alarm and functional shut down when operator encounters an overload situation.

OUTRIGGERS

- ▶ Front outriggers are Link-Type. The maximum width over main outrigger pad is 20' 5" (6.23 m), main outrigger spread at maximum ground penetration is 20' (6.10 m).
- ▶ Rear outriggers are A-Frame. The maximum width over auxiliary outrigger pads is 10' 2" (3.09 m).

SUBFRAME

- ▶ Single fabricated, closed-box style subframe yields greater strength and rigidity. Wheelbase for standard truck crane mounting configuration is 242" (6.15 m).

OPTIONS AND ACCESSORIES

- ▶ Single and two-stage jibs
- ▶ Multi-part load blocks
- ▶ Main winch with 2 speed motor
- ▶ Auxiliary winch
- ▶ Rotation-resistant load line
- ▶ Radio remote controls
- ▶ One-man or two-man baskets
- ▶ Self-leveling work platform
- ▶ Heavy duty wood flatbeds
- ▶ Extra heavy duty wood flatbeds
- ▶ Extra heavy duty steel flatbeds
- ▶ Winch drum tensioner
- ▶ Continuous rotation
- ▶ Oil cooler
- ▶ Tool box
- ▶ Single front bumper outrigger (required for 370° or continuous rotation)
- ▶ Hydraulic hose reel
- ▶ Hydraulic auxiliary tool circuit

TEREX Cranes
106-12th Street S.E.
Waverly, IA 50677-9466 USA

TEL (319) 352-3920
FAX (319) 352-5727
EMAIL inquire@terexwaverly.com
WEB terex.com

Bigge Crane and Rigging Co.

10700 Bigge Avenue
San Leandro, CA 94577
Phone: (888) 337-BIGGE or (510) 638-8100
Fax: (510) 639-4053
Email: info@bigge.com
Web site: www.bigge.com

For more information, product demonstration, or detail on purchase, lease and rental plans, please contact your local Terex Crane dealer. We reserve the right to amend these specifications at anytime without notice. The only warranty applicable is our standard written warranty applicable to the particular product an sale. We make no other warranty, expressed or implied.

