



## STINGER™ 4792/5092

Boom Truck Cranes



### FEATURES

- 47,000 lbs. (21 319 kg) or 50,000 lbs. (22 680 kg) maximum lifting capacity
- 101 ft. (30.8 m) maximum sheave height
- 144 ft. (43.9 m) maximum sheave height with 44 ft. (13.4 m) jib
- 92 ft. (28.0 m) fully proportional four-section telescopic "keel" boom
- Exclusive color coded boom and load charts
- Easy-to-install optional 26-44 ft. (7.9-13.4 m) jib, man baskets or work platform increase job capabilities
- Choice of two 4792 configurations – behind cab (with either 180° or 360° work area) or rear mount. Choice of three 5092 configurations – behind cab (with either 180° or 360° work area), rear mount or riding seat
- Electronic Load Moment Indicator and anti-two-block device standard
- 2-speed planetary winch has 11,400 lb. (5 171 kg) maximum line pull, 150/220 fpm (46/67 m/min) line speed
- Externally located planetary rotation drive for easy accessibility for maintenance
- Dual control stations with direct mechanically controlled hydraulic system (single station on RS 5092 model)
- Efficient load sensing, pressure-compensating hydraulic system has 90 gal. (342 L) capacity
- Terex Support Plus product service

**simple, available and  
cost effective™**

Machines shown may have optional equipment.



# STINGER 4792/5092 LOAD RATINGS

**CAUTION:** Do not use this specification sheet as a load rating chart. The format of data is not consistent with the machine chart and may be subject to change.

## Load Ratings (Pounds) for 360° Full Capacity Work Area with Outriggers Extended and Optional Front Stabilizer

| OPER. RADIUS (FT) | BOOM LENGTH             |                  |  |                  |                         |                  |                         |                  |                         |                  |                         |                  |
|-------------------|-------------------------|------------------|--|------------------|-------------------------|------------------|-------------------------|------------------|-------------------------|------------------|-------------------------|------------------|
|                   | 29 FT                   |                  | 44 FT                                    |                  | 57 FT                   |                  | 71 FT                   |                  | 84 FT                   |                  | 92 FT                   |                  |
|                   | LOADED BOOM ANGLE (DEG) | LOAD RATING (LB) | LOADED BOOM ANGLE (DEG)                  | LOAD RATING (LB) | LOADED BOOM ANGLE (DEG) | LOAD RATING (LB) | LOADED BOOM ANGLE (DEG) | LOAD RATING (LB) | LOADED BOOM ANGLE (DEG) | LOAD RATING (LB) | LOADED BOOM ANGLE (DEG) | LOAD RATING (LB) |
| 5                 | 78                      | 47,000*          | *50,000 lbs for 5092 @ 29 ft boom length |                  |                         |                  |                         |                  |                         |                  |                         |                  |
| 8                 | 71                      | 36,800           | 78                                       | 20,300           |                         |                  |                         |                  |                         |                  |                         |                  |
| 10                | 67                      | 30,900           | 75                                       | 20,300           | 79                      | 18,400           |                         |                  |                         |                  |                         |                  |
| 12                | 62                      | 26,100           | 73                                       | 20,300           | 77                      | 17,400           |                         |                  |                         |                  |                         |                  |
| 14                | 58                      | 21,900           | 70                                       | 19,400           | 75                      | 16,800           | 78                      | 14,600           |                         |                  |                         |                  |
| 16                | 53                      | 18,800           | 67                                       | 17,300           | 73                      | 15,900           | 77                      | 13,800           | 79                      | 12,300           |                         |                  |
| 20                | 41                      | 14,200           | 61                                       | 13,900           | 68                      | 13,400           | 73                      | 12,300           | 76                      | 10,900           | 78                      | 9,825            |
| 25                | 21                      | 10,400           | 53                                       | 10,900           | 63                      | 10,600           | 69                      | 10,400           | 73                      | 9800             | 75                      | 9,025            |
| 30                |                         |                  | 45                                       | 8,625            | 57                      | 8,625            | 65                      | 8,425            | 69                      | 8,225            | 71                      | 7,425            |
| 35                |                         |                  | 34                                       | 6,925            | 51                      | 6,925            | 60                      | 6,925            | 66                      | 6,725            | 68                      | 6,325            |
| 40                |                         |                  | 19                                       | 5,225            | 44                      | 5,625            | 56                      | 5,625            | 62                      | 5,625            | 65                      | 5,425            |
| 45                |                         |                  |  |                  | 36                      | 4,625            | 50                      | 4,625            | 58                      | 4,625            | 61                      | 4,625            |
| 50                |                         |                  |  |                  | 26                      | 3,725            | 45                      | 3,725            | 53                      | 3,725            | 57                      | 3,725            |
| 55                |                         |                  |  |                  | 1                       | 1,225            | 38                      | 3,025            | 49                      | 3,025            | 53                      | 3,025            |
| 60                |                         |                  |  |                  |                         |                  | 31                      | 2,425            | 44                      | 2,425            | 49                      | 2,425            |
| 65                |                         |                  |  |                  |                         |                  | 21                      | 2,025            | 39                      | 2,025            | 45                      | 2,025            |
| 70                |                         |                  |  |                  |                         |                  |                         |                  | 32                      | 1,525            | 40                      | 1,525            |
| 75                |                         |                  |  |                  |                         |                  |                         |                  | 25                      | 1,225            | 35                      | 1,225            |
| 80                |                         |                  |  |                  |                         |                  |                         |                  | 14                      | 825              | 28                      | 825              |

**BT & RM Models**

NOTE: RATINGS ABOVE THE HEAVY LINE ARE BASED ON STRUCTURAL COMPETENCE AND NOT ON MACHINE STABILITY.

| OPER. RADIUS (FT) | BOOM LENGTH             |                  |                         |                  |                         |                  |                         |                  |                         |                  |                         |                  |
|-------------------|-------------------------|------------------|-------------------------|------------------|-------------------------|------------------|-------------------------|------------------|-------------------------|------------------|-------------------------|------------------|
|                   | 29 FT                   |                  | 44 FT                   |                  | 57 FT                   |                  | 71 FT                   |                  | 84 FT                   |                  | 92 FT                   |                  |
|                   | LOADED BOOM ANGLE (DEG) | LOAD RATING (LB) | LOADED BOOM ANGLE (DEG) | LOAD RATING (LB) | LOADED BOOM ANGLE (DEG) | LOAD RATING (LB) | LOADED BOOM ANGLE (DEG) | LOAD RATING (LB) | LOADED BOOM ANGLE (DEG) | LOAD RATING (LB) | LOADED BOOM ANGLE (DEG) | LOAD RATING (LB) |
| 5                 | 76                      | 50,000           |                         |                  |                         |                  |                         |                  |                         |                  |                         |                  |
| 8                 | 70                      | 34,525           | 77                      | 20,300           |                         |                  |                         |                  |                         |                  |                         |                  |
| 10                | 65                      | 28,625           | 74                      | 20,300           | 79                      | 18,150           |                         |                  |                         |                  |                         |                  |
| 12                | 60                      | 23,575           | 72                      | 20,000           | 76                      | 17,225           |                         |                  |                         |                  |                         |                  |
| 14                | 55                      | 19,875           | 69                      | 18,500           | 74                      | 16,550           | 78                      | 14,400           |                         |                  |                         |                  |
| 16                | 49                      | 17,175           | 66                      | 16,500           | 72                      | 15,500           | 76                      | 13,600           | 79                      | 12,125           |                         |                  |
| 20                | 34                      | 12,525           | 59                      | 13,100           | 67                      | 12,875           | 73                      | 12,900           | 76                      | 10,775           | 78                      | 9,725            |
| 25                |                         |                  | 51                      | 10,200           | 62                      | 10,100           | 68                      | 10,400           | 72                      | 9,575            | 75                      | 8,825            |
| 30                |                         |                  | 48                      | 8,500            | 55                      | 8,175            | 64                      | 8,075            | 69                      | 7,975            | 71                      | 7,225            |
| 35                |                         |                  | 39                      | 6,250            | 49                      | 6,500            | 59                      | 6,650            | 65                      | 6,500            | 67                      | 6,150            |
| 40                |                         |                  |                         |                  | 41                      | 5,275            | 55                      | 5,325            | 61                      | 5,400            | 64                      | 5,250            |
| 45                |                         |                  |                         |                  | 32                      | 4,275            | 46                      | 4,345            | 57                      | 4,400            | 60                      | 4,425            |
| 50                |                         |                  |                         |                  | 18                      | 2,975            | 43                      | 3,475            | 52                      | 3,525            | 56                      | 3,525            |
| 55                |                         |                  |                         |                  |                         |                  | 36                      | 2,800            | 47                      | 2,825            | 52                      | 2,825            |
| 60                |                         |                  |                         |                  |                         |                  | 28                      | 2,250            | 42                      | 2,275            | 48                      | 2,275            |
| 65                |                         |                  |                         |                  |                         |                  |                         |                  | 37                      | 1,825            | 43                      | 1,850            |
| 70                |                         |                  |                         |                  |                         |                  |                         |                  | 29                      | 1,400            | 39                      | 1,400            |
| 75                |                         |                  |                         |                  |                         |                  |                         |                  | 21                      | 1,050            | 32                      | 1,050            |
| 80                |                         |                  |                         |                  |                         |                  |                         |                  |                         |                  | 25                      | 625              |

**RS Model**

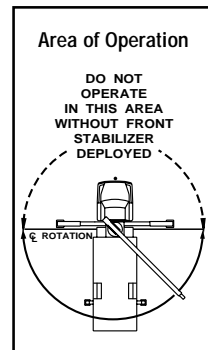
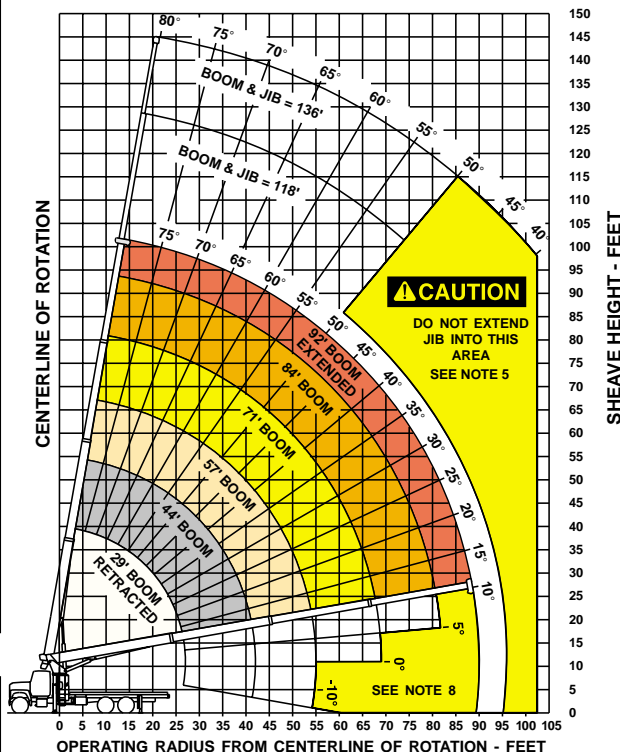
NOTE: RATINGS ABOVE THE HEAVY LINE ARE BASED ON STRUCTURAL COMPETENCE AND NOT ON MACHINE STABILITY.

### Stowed Jib Deductions (Pounds)

|     |     |     |     |     |     |
|-----|-----|-----|-----|-----|-----|
| 700 | 500 | 350 | 300 | 250 | 200 |
|-----|-----|-----|-----|-----|-----|

## Range Diagram (29' – 92' boom)

BT model shown. Range Diagrams for RM and RS models are similar.



**Deductions from Rated Loads for Handling Devices**

|                      |          |
|----------------------|----------|
| OVERHAUL BALL:       | 175 lbs. |
| 1 SHEAVE LOAD BLOCK: | 200 lbs. |
| 2 SHEAVE LOAD BLOCK: | 250 lbs. |
| AUX. SHEAVE:         | 50 lbs.  |

**JIB CAPACITIES FOR ALL BOOM LENGTHS**  
VERIFY OPERATIONAL MODE SETTING ON MG585 DISPLAY BEFORE LIFTING WITH JIB

| Loaded Boom Angle    | 50° | 55°  | 60°  | 65°  | 70°  | 75°  | 78°  | 80°  |
|----------------------|-----|------|------|------|------|------|------|------|
| Retracted 26 ft. Jib | 725 | 1025 | 1525 | 2325 | 3225 | 4325 | 4925 | 5325 |
| Extended 44 ft. Jib  | 425 | 725  | 1125 | 1525 | 2025 | 2525 | 2825 | 3125 |

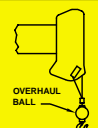


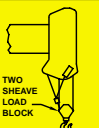

### General Notes

- The operator must read and understand the Owner's Manual before operating this crane.
- Positioning or operation of crane beyond areas shown on this chart is not intended or approved except where specified in Owner's Manual.
- Loaded boom angles at specified boom lengths give only an approximation of the operating radius. The boom angle before loading should be greater to account for deflections. Do not exceed the operating radius for rated loads.
- Use rating of next longer boom for boom lengths not shown. Use rating of next greater radius for load radii not shown.
- Boom must be fully retracted when jib is erected before lowering below minimum angle. Retracted jib has no lifting capacity below a 50° boom angle.
- Use rating of next lower boom angle for boom lengths not shown on jib load rating chart.
- Lifting off the main boom point while the swing around jib is erected is not intended or approved.
- Do not lower boom into this area, as hydraulic pressure will not allow raising the boom without retracting boom first.
- Crane load ratings on outriggers are based on freely suspended loads with the machine leveled and standing on a firm uniform supporting surface. No attempt shall be made to move a load horizontally on the ground in any direction.

- Practical working loads depend on supporting surface, wind and other factors affecting stability such as hazardous surroundings, experience of personnel, and proper handling, must all be taken into account by the operator.
  - The maximum load which may be telescoped is limited by hydraulic pressure, boom angle, and boom lubrication. It is safe to attempt to telescope any load within the limits of the load rating chart.
- INFORMATION**
- Deductions must be made from rated loads for stowed jib, optional attachments, hooks and loadblocks (see deduction chart). Weights of slings and other load handling devices shall be considered a part of the load.

- Crane load ratings with outriggers are based on outriggers and stabilizers extended and set with all load removed from the carrier wheels.
  - Load ratings do not exceed 85% of tipping load.
- DEFINITIONS**
- Operating radius is the horizontal distance from the axis of rotation to the center of the vertical hoist line or load hook with load suspended.
  - Loaded boom angle as shown in the Load Ratings Chart is the included angle between the horizontal and longitudinal axes of the boom base after lifting rated load at rated radius.

**WINCH DATA**

| Winch                            | Cable Supplied                 | 1 Part Line   | 2 Part Line   | 3 Part Line   | 4 Part Line   | 5 Part Line  |
|----------------------------------|--------------------------------|---|---|---|---|--|
|                                  |                                |  |  |  |  |  |
| <b>Standard Stationary Winch</b> | 9/16" Diam. IWRC XXIP          | 9,600 lb.<br>75.6 fpm*  | 19,200 lb.<br>37.8 fpm*   | 28,800 lb.<br>25.2 fpm*   | 47,000 lb.<br>18.9 fpm*   | 47,000 lb.<br>15.1 fpm*  |
|                                  | 9/16" Diam. Rotation Resistant | 6,720 lb.<br>75.6 fpm*  | 13,400 lb.<br>37.8 fpm*   | 20,160 lb.<br>25.2 fpm*   | 26,880 lb.<br>18.9 fpm*   | 33,600 lb.<br>15.1 fpm*  |

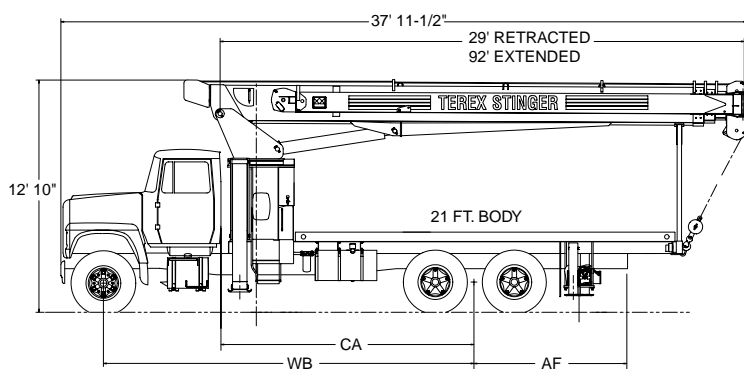
| Block Type     | Rating             |
|----------------|--------------------|
| Overhaul Ball  | 6.5 ton (5.9 mt)   |
| 1 Sheave Block | 17 ton (15.4 mt)   |
| 2 Sheave Block | 22.5 ton (20.4 mt) |

**CAUTION**

Overload and anti-two-block systems must be in good operating condition before operating crane. Refer to Owners Manual. Keep at least 3 wraps of loadline on drum at all times. Use only 9/16" diameter cable with 33,600 lb. breaking strength on this machine.

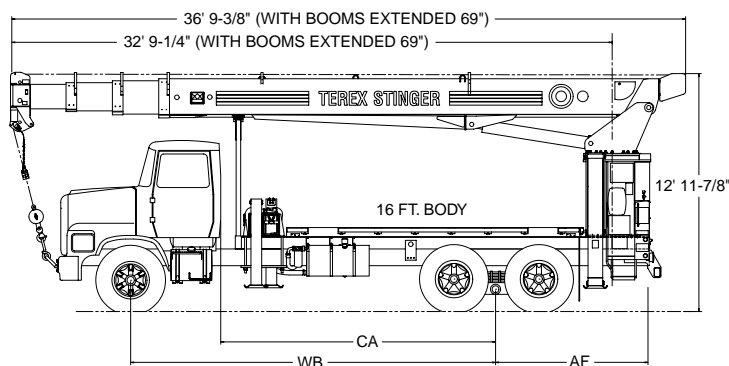
\*First layer speed. For fourth layer speed, multiply \*value by 1.33, for burst speed, multiply by 1.7.

**MOUNTING CONFIGURATIONS**



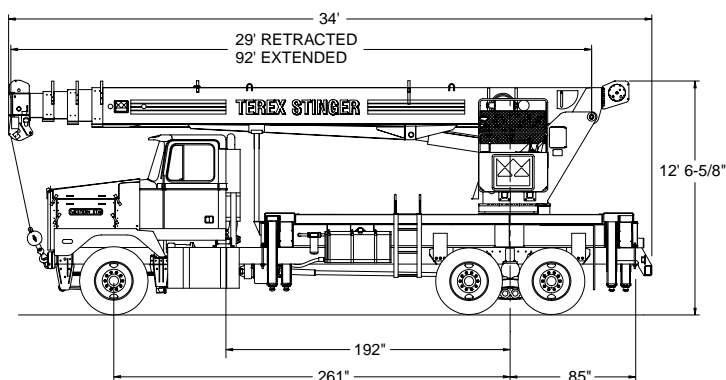
**4792/5092 Behind Cab (BT) Mounting Configuration**

|  | 4792                    | 5092  |
|--|-------------------------|---|
| Gross Vehicle Weight Rating  | 52,000 lbs. (23 587 kg) | 52,000 lbs. (23 587 kg)                     |
| Front Axle Weight Rating   | 18,000 lbs. (8165 kg)   | 18,000 lbs. (8165 kg)                       |
| Rear Axle Weight Rating  | 34,000 lbs. (15 422 kg) | 34,000 lbs. (15 422 kg)                     |
| Wheelbase (WB)   | 246 in. (6248 mm)       | 261 in. (6629 mm)                           |
| Cab to Axle (CA)   | 168 in. (4267 mm)       | 180 in. (4572 mm)                           |
| Afterframe (AF)  | 100 in. (2540 mm)       | 100 in. (2540 mm)                           |
| Transmission (Neutral lock-up required for automatic transmission) |                         | Heavy-Duty                                  |
| Electrical System  |                         | Heavy-Duty                                  |
| Cooling System   |                         | Heavy-Duty                                  |
| Frame Section Modulus  |                         | 26.0 in <sup>3</sup> (426 cm <sup>3</sup> ) |
| RBM Per Frame Rail   |                         | 2,860,000 in. lb. (32 950 m. kg)            |



**4792/5092 Rear Mount (RM) Mounting Configuration**

|  | 4792                    | 5092  |
|--|-------------------------|---|
| Gross Vehicle Weight Rating  | 52,000 lbs. (23 587 kg) | 52,000 lbs. (23 587 kg)                     |
| Front Axle Weight Rating   | 18,000 lbs. (8165 kg)   | 18,000 lbs. (8165 kg)                       |
| Rear Axle Weight Rating  | 34,000 lbs. (15 422 kg) | 34,000 lbs. (15 422 kg)                     |
| Wheelbase (WB)   | 246 in. (6248 mm)       | 261 in. (6629 mm)                           |
| Cab to Axle (CA)   | 180 in. (4572 mm)       | 192 in. (4877 mm)                           |
| Afterframe (AF)  | 100 in. (2540 mm)       | 114 in. (2896 mm)                           |
| Transmission (Neutral lock-up required for automatic transmission) |                         | Heavy-Duty                                  |
| Electrical System  |                         | Heavy-Duty                                  |
| Cooling System   |                         | Heavy-Duty                                  |
| Frame Section Modulus  |                         | 26.0 in <sup>3</sup> (426 cm <sup>3</sup> ) |
| RBM Per Frame Rail   |                         | 2,860,000 in. lb. (32 950 m. kg)            |



**5092 Riding Seat (RS) Mounting Configuration**

|  |   |
|--|---|
| Gross Vehicle Weight Rating  | 58,000 lbs. (26 309 kg)                     |
| Front Axle Weight Rating   | 18,000 lbs. (8165 kg)                       |
| Rear Axle Weight Rating  | 40,000 lbs. (18 144 kg)                     |
| Wheelbase  | 261 in. (6629 mm)                           |
| Cab to Axle  | 192 in. (4877 mm)                           |
| Afterframe   | 85 in. (2159 mm)                            |
| Transmission (Neutral lock-up required for automatic transmission) | Heavy-Duty                                  |
| Electrical System  | Heavy-Duty                                  |
| Cooling System   | Heavy-Duty                                  |
| Frame Section Modulus  | 30.0 in <sup>3</sup> (491 cm <sup>3</sup> ) |
| RBM Per Frame Rail   | 3,300,000 in. lb. (38 020 m. kg)            |

Notes: Some standard features for the optional mounting configurations will vary. Consult your Terex Cranes dealer or factory for chassis and mounting requirements.



# TEREX STINGER 4792/5092

## Boom Truck Cranes

### SPECIFICATIONS

#### Boom

92 ft. (28.0 m) four section full power mechanically synchronized boom. Patented keel boom design utilizes a keel-shaped baseplate combined with a deep, four plate boom section to optimize strength / rigidity-to-weight ratio. Exclusive, patented color-coded boom and load charts allow the operator to easily and quickly determine boom extension, boom angle and load capacity. Maximum sheave height with four section 92 ft. (28.0 m) boom is 101 ft. (30.8 m). Maximum sheave height with optional two-stage 44 ft. (13.4 m) jib is 144 ft. (43.9 m).

#### Winch

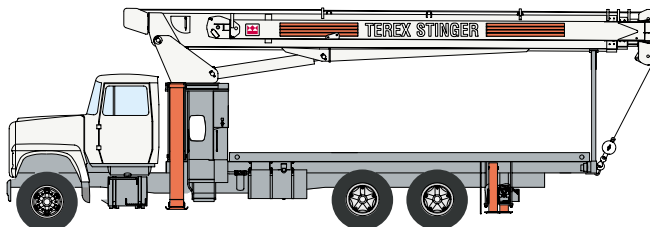
Hydraulic winch with gear motor and planetary reduction gearing provides 2-speed "Burst-of Speed" operation. First layer rope pull is 11,400 lbs. (5 171 kg). Wire rope size is 9/16" (14 mm) with 33,600 lbs. (15 241 kg) breaking strength.

#### Operating Speeds

Main frame / turret assembly planetary rotation provides 180° rotation (370° with optional front bumper outrigger). Swing rotation is 40 seconds. Boom up/down is 34/30 seconds and boom extend/retract is 80/36 seconds.

#### Hydraulics

Three section pump allows the operator to perform simultaneous crane operations (winch, boom and swing). Capacities are 36, 20 and 11 gpm (136.3, 75.7 and 41.6 L/min). Combined system capacity is 67 gpm (253.6 L/min).



#### Controls

Fully proportional, excellent metering characteristics for precise boom movements. Independent outrigger controls allows the crane to be stable and level in rigorous working conditions. Load Moment Indicating System has audio alarm and functional shut down when operator encounters an overload situation.

#### Outriggers

Wide-stance link-type main outriggers on 4792 have a 20 ft. (6.1 m) pin-to-pin spread when fully extended. All 5092 configurations have 21 ft. (6.40 m) out-and-down main outriggers. Out-and-down rear outriggers have 17 ft. 6 in. (5.3 m) tip-to-tip span.

#### Subframe

Cross-braced, closed-box style subframe yields greater strength and rigidity. Wheel base for standard truck crane mounting configuration is 249 in. (6.27 m) for link-type main outriggers and 261 in. (6.63 m) for out-and down rear outriggers.

### OPTIONS AND ACCESSORIES

Terex Stinger offers a wide range of options and accessories to customize your truck crane to your exact needs.

These include:

- Single and two-stage jibs
- Multi-part load blocks
- Auxiliary winch
- Spin-resistant load line
- Wood, steel or extra heavy duty steel flatbeds
- Radio remote controls
- One-man or two-man baskets
- Self-leveling work platform
- Winch drum tensioner
- Continuous rotation (standard on RS model)
- Oil cooler
- Rear bumper
- Single front bumper outrigger (required for 370° or continuous rotation on BT or RM models)
- Hydraulic hose reel
- Hydraulic auxiliary tool circuit
- Removeable cab (RS model only)

For more information, product demonstration, or details on purchase, lease and rental plans, please contact your local Terex Cranes dealer.

#### Bigge Crane and Rigging Co.

10700 Bigge Avenue  
San Leandro, CA 94577  
Phone: (888) 337-BIGGE or (510) 638-8100  
Fax: (510) 639-4053  
Email: info@bigge.com  
Web site: www.bigge.com

We reserve the right to amend these specifications at any time without notice. The only warranty applicable is our standard written warranty applicable to the particular product and sale. We make no other warranty, expressed or implied.



Waverly Operations  
106 12th Street S.E.  
Waverly, IA 50677-9466 USA  
TEL: (319) 352-3920  
FAX: (319) 352-5727  
E-MAIL: inquire@terexwaverly.com  
WEB: http://www.terex-cranes.com

