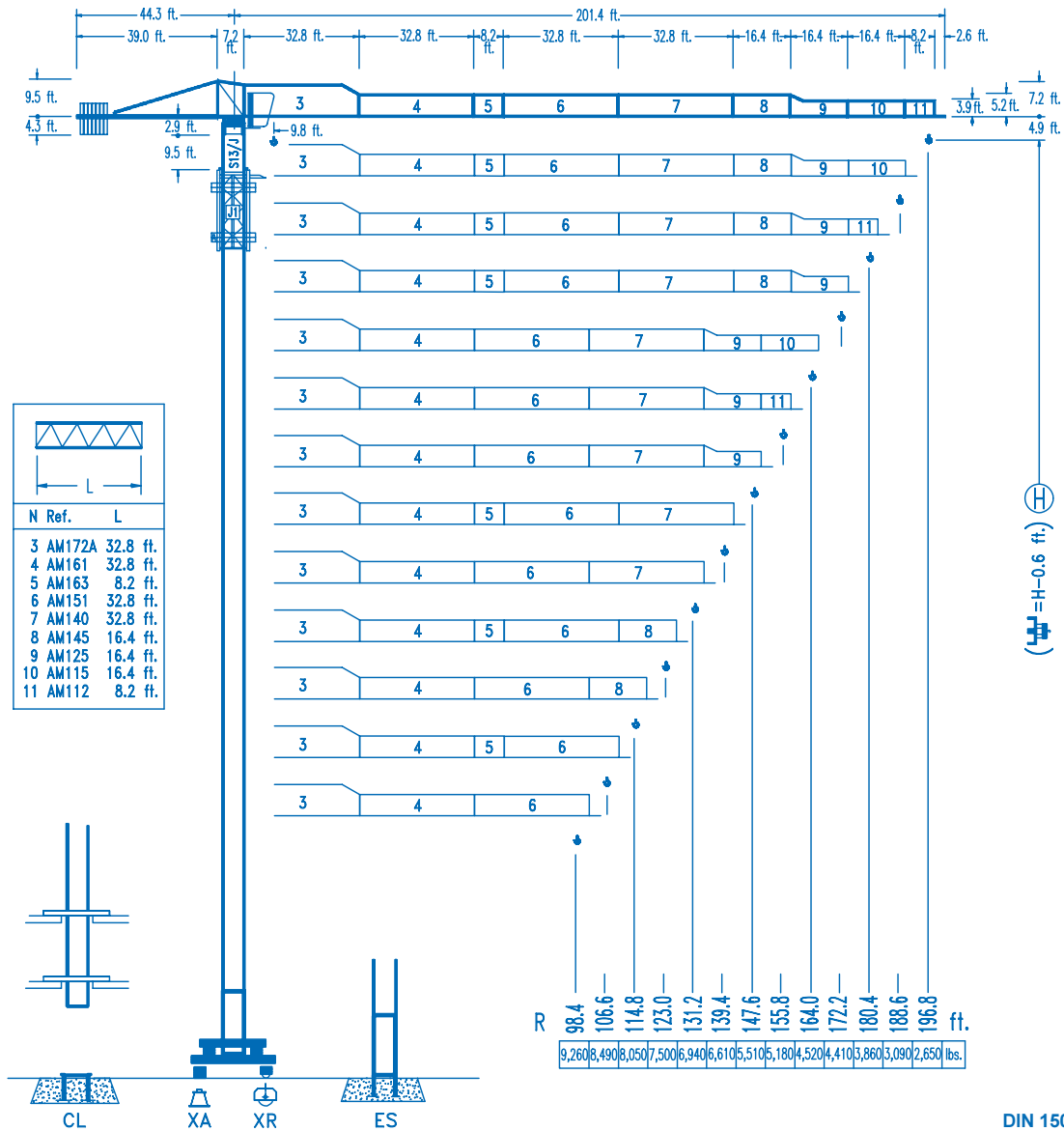


LINDEN COMANSA

LINDEN 1100

11 LC 132

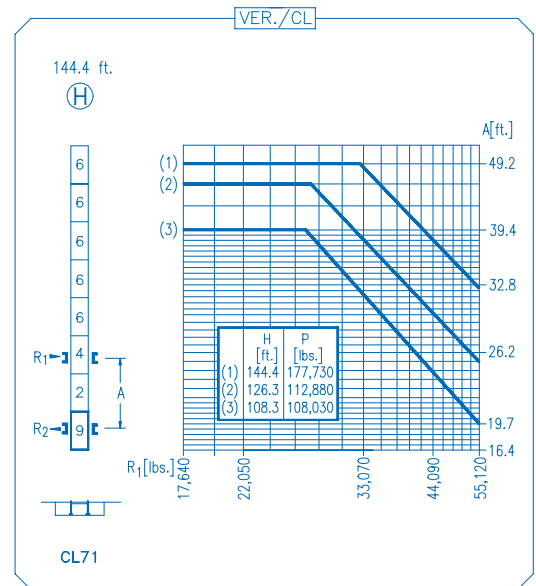
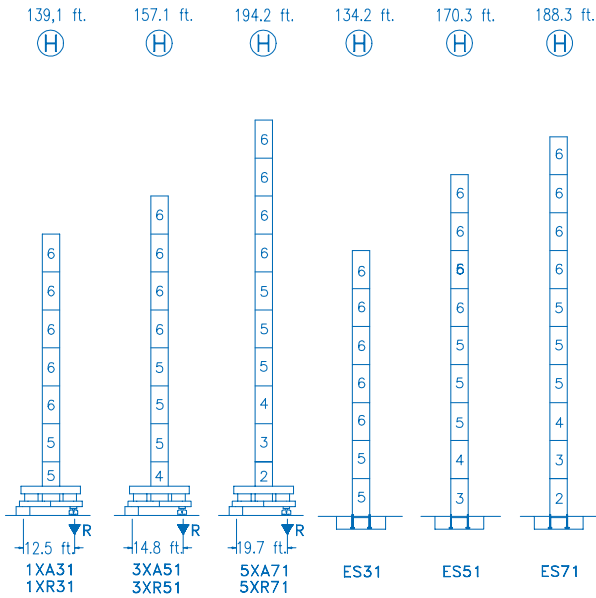
13,230 lbs.



| R | CL | | | | | | | | | | XR | | | | | | | | | | ES | | | | | | | | | | | | | | | | | | | | | | | | | | | | | | | | | | | | | |
|-------|------|------|------|------|-------|-------|-----------|-----------|-----------|--------|-----------|-----------|--------|------------|-----------|------------|--------|------------|-----------|--------|------------|--------|------------|------------|--------|-------|------------|--------|--------|------------|------------|------------|------------|------------|--------|------------|--------|--------|-------|------------|-------|-------|-------|-------|------------|-------|-------|-------|-------|------------|-------|-------|-------|------------|-------|-------|-------|------------|
| 196.8 | 47.9 | 55.8 | 65.6 | 75.5 | 83.7 | 93.2 | 98.4 | 106.6 | 114.8 | 123.0 | 131.2 | 139.4 | 147.6 | 155.8 | 164.0 | 172.2 | 180.4 | 188.6 | 196.8 ft. | 9.260 | 8,490 | 8,050 | 7,500 | 6,940 | 6,610 | 5,510 | 5,180 | 4,520 | 4,410 | 3,860 | 3,090 | 2,650 lbs. | 98.4 | 106.6 | 114.8 | 123.0 | 131.2 | 139.4 | 147.6 | 155.8 | 164.0 | 172.2 | 180.4 | 188.6 | 196.8 ft. | 9.260 | 8,490 | 8,050 | 7,500 | 6,940 | 6,610 | 5,510 | 5,180 | 4,520 | 4,410 | 3,860 | 3,090 | 2,650 lbs. |
| 188.6 | 51.2 | 55.8 | 65.6 | 75.5 | 82.0 | 89.9 | 100.4 | 106.6 | 114.8 | 123.0 | 131.2 | 139.4 | 147.6 | 155.8 | 164.0 | 172.2 | 180.4 | 188.6 ft. | 13,230 | 11,970 | 9,830 | 8,290 | 7,450 | 6,610 | 6,610 | 6,150 | 5,640 | 5,200 | 4,830 | 4,500 | 4,190 | 3,920 | 3,680 | 3,460 | 3,260 | 3,090 lbs. | 13,230 | 11,970 | 9,830 | 8,290 | 7,450 | 6,610 | 6,610 | 6,150 | 5,640 | 5,200 | 4,830 | 4,500 | 4,190 | 3,920 | 3,680 | 3,460 | 3,260 | 3,090 lbs. | | | | |
| 180.4 | 58.4 | 65.6 | 75.5 | 82.0 | 91.9 | 98.4 | 102.4 | 114.5 | 123.0 | 131.2 | 139.4 | 147.6 | 155.8 | 164.0 | 172.2 | 180.4 ft. | 13,230 | 11,930 | 10,080 | 9,700 | 8,750 | 7,610 | 6,970 | 6,610 | 6,610 | 6,080 | 5,640 | 5,270 | 4,920 | 4,610 | 4,340 | 4,080 | 3,860 lbs. | 13,230 | 11,930 | 10,080 | 9,700 | 8,750 | 7,610 | 6,970 | 6,610 | 6,610 | 6,080 | 5,640 | 5,270 | 4,920 | 4,610 | 4,340 | 4,080 | 3,860 lbs. | | | | | | | | |
| 172.2 | 61.7 | 65.6 | 75.5 | 82.0 | 91.9 | 98.4 | 105.0 | 108.9 | 122.0 | 131.2 | 139.4 | 147.6 | 155.8 | 164.0 | 172.2 ft. | 13,230 | 12,320 | 10,430 | 9,440 | 8,200 | 7,520 | 6,920 | 6,610 | 6,610 | 6,080 | 5,670 | 5,290 | 4,960 | 4,670 | 4,410 lbs. | 13,230 | 12,320 | 10,430 | 9,440 | 8,200 | 7,520 | 6,920 | 6,610 | 6,610 | 6,080 | 5,670 | 5,290 | 4,960 | 4,670 | 4,410 lbs. | | | | | | | | | | | | | |
| 164.0 | 60.0 | 65.6 | 75.5 | 82.0 | 91.9 | 98.4 | 105.6 | 118.4 | 123.0 | 131.2 | 139.4 | 147.6 | 155.8 | 164.0 ft. | 13,230 | 11,930 | 10,080 | 9,100 | 7,910 | 7,250 | 6,610 | 6,330 | 5,890 | 5,470 | 5,110 | 4,810 | 4,520 lbs. | 13,230 | 11,930 | 10,080 | 9,100 | 7,910 | 7,250 | 6,610 | 6,330 | 5,890 | 5,470 | 5,110 | 4,810 | 4,520 lbs. | | | | | | | | | | | | | | | | | | |
| 155.8 | 64.0 | 75.5 | 82.0 | 91.9 | 98.4 | 105.0 | 112.5 | 126.3 | 131.2 | 139.4 | 147.6 | 155.8 ft. | 13,230 | 10,850 | 9,810 | 8,530 | 7,830 | 7,230 | 6,610 | 6,330 | 5,910 | 5,510 | 5,180 lbs. | 13,230 | 10,850 | 9,810 | 8,530 | 7,830 | 7,230 | 6,610 | 6,330 | 5,910 | 5,510 | 5,180 lbs. | | | | | | | | | | | | | | | | | | | | | | | | |
| 147.6 | 63.6 | 75.5 | 82.0 | 91.9 | 98.4 | 105.0 | 112.2 | 126.0 | 131.2 | 139.4 | 147.6 ft. | 13,230 | 10,820 | 9,790 | 8,510 | 7,800 | 7,210 | 6,610 | 6,330 | 5,890 | 5,510 lbs. | 13,230 | 10,820 | 9,790 | 8,510 | 7,800 | 7,210 | 6,610 | 6,330 | 5,890 | 5,510 lbs. | | | | | | | | | | | | | | | | | | | | | | | | | | | |
| 139.4 | 77.1 | 82.0 | 91.9 | 98.4 | 105.0 | 114.8 | 121.4 | 136.2 | 139.4 ft. | 13,230 | 12,320 | 10,760 | 9,920 | 9,170 | 8,200 | 7,650 | 6,610 | 6,610 lbs. | 13,230 | 12,320 | 10,760 | 9,920 | 9,170 | 8,200 | 7,650 | 6,610 | 6,610 lbs. | | | | | | | | | | | | | | | | | | | | | | | | | | | | | | | |
| 131.2 | 76.4 | 82.0 | 91.9 | 98.4 | 105.0 | 114.8 | 121.4 | 131.2 ft. | 13,230 | 12,170 | 10,630 | 9,790 | 9,060 | 8,110 | 7,560 | 6,940 lbs. | 13,230 | 12,170 | 10,630 | 9,790 | 9,060 | 8,110 | 7,560 | 6,940 lbs. | | | | | | | | | | | | | | | | | | | | | | | | | | | | | | | | | | |
| 123.0 | 76.1 | 82.0 | 91.9 | 98.4 | 105.0 | 114.8 | 123.0 ft. | 13,230 | 12,100 | 10,580 | 9,720 | 8,990 | 8,050 | 7,500 lbs. | 13,230 | 12,100 | 10,580 | 9,720 | 8,990 | 8,050 | 7,500 lbs. | | | | | | | | | | | | | | | | | | | | | | | | | | | | | | | | | | | | | |

DS.0840.04 10/08 Reserva de modificaciones.- Subject to modifications.- Modifications réservées.- Konstruktionsänderungen vorbehalten.





| | | |
|----------------|--------------|-------------------------------|
| R. máx. | En servicio | 1XR31 ... 155.200 lbs. |
| | In operation | 3XR51 ... 148.590 lbs. |
| | En service | 5XR71 ... 153.440 lbs. |
| | In Betrieb | |

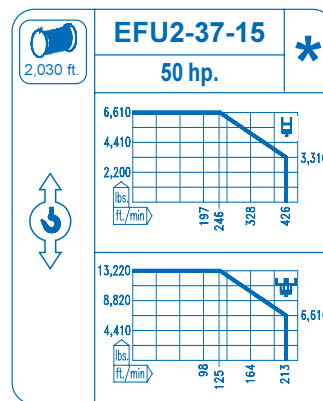
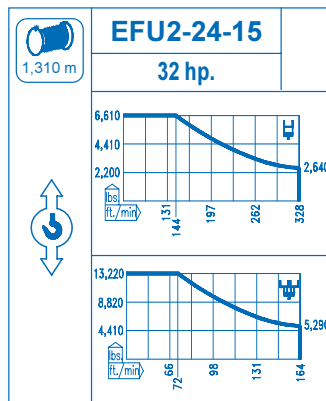
| | | |
|----------------|-------------------|-------------------------------|
| R. máx. | Fuera de servicio | 1XR31 ... 199.740 lbs. |
| | Out of service | 3XR51 ... 216.270 lbs. |
| | Hors service | 5XR71 ... 252.870 lbs. |
| | Ausser Betrieb | |

CFU-4.0
5.4 hp.
0 ⇄ 295 ft./min

GR-5.5
2x40 ft.lbs.
0 ⇄ 0.7 rpm

TS2-5.5 **TRA-7.5**
2x40 ft.lbs. 2x55 ft.lbs.
0 ⇄ 65 ft./min
1XR31 3XR51 5XR 71

TRA-7.5VC
2x55 ft.lbs.
0 ⇄ 65 ft./min
5XR71 *



| | |
|-------------------------|--------------|
| Tensión de alimentación | 480 V |
| Operating voltage | 3 ph |
| Tension de service | 60 Hz |
| Betriebsspannung | |

| | |
|------------|---|
| Optional | * |
| Optional | |
| En option | |
| Kaufoption | |



Tel.: (34) 948 335 020
Fax: (34) 948 330 810
e-mail: info@comansa.com
www.comansa.com

Polígono Urbizkain
E-31620 HUARTE-PAMPLONA.- SPAIN

| | | | |
|-------------------|-------|------------------|--------------------|
| DS.0840.04 | 10/08 | 11 LC 132 | 13,230 lbs. |
|-------------------|-------|------------------|--------------------|

