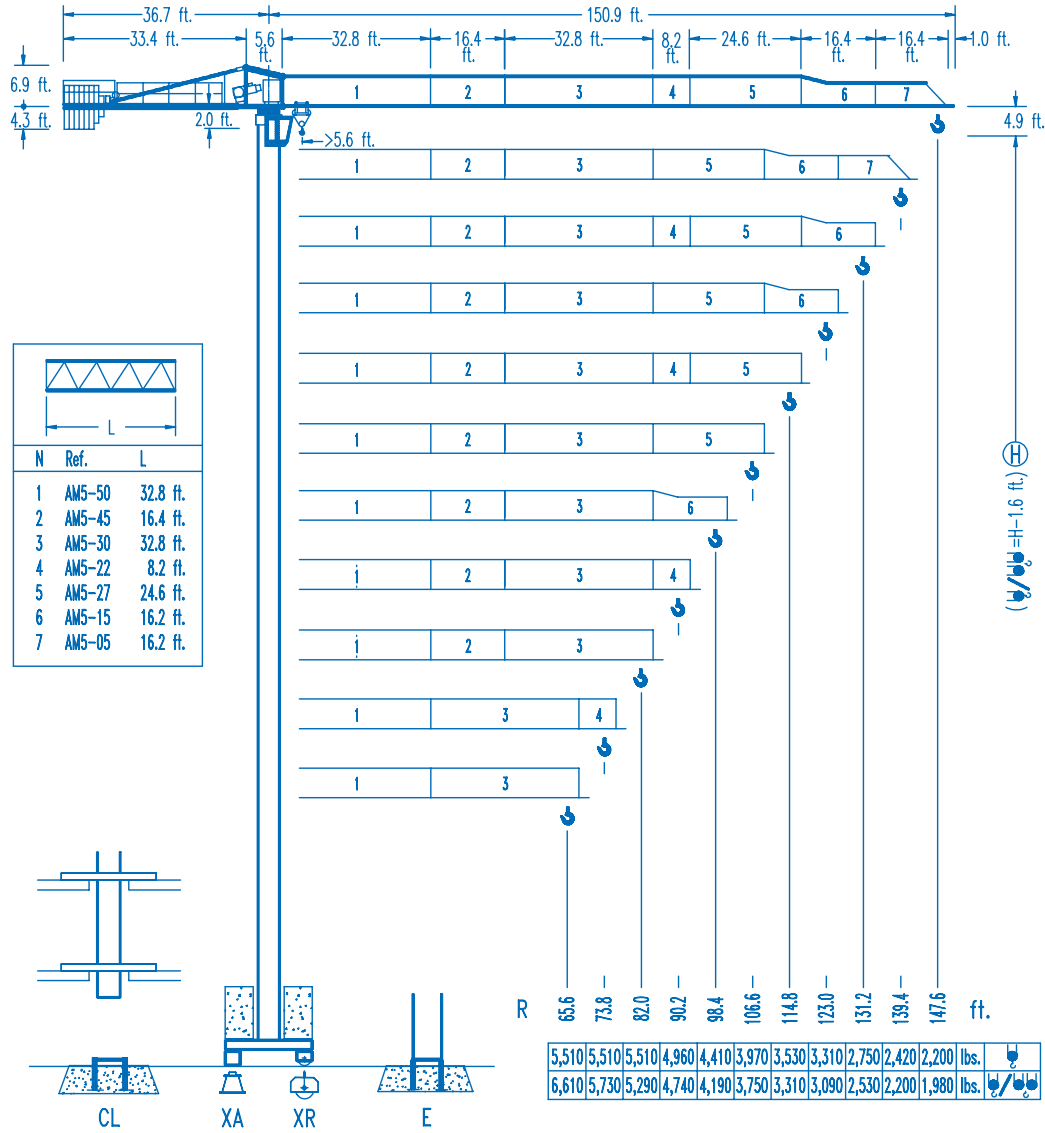




LINDEN 500

5 LC 4510

11,020 lbs.



(H/h) = 1.6 ft.

R	65.6	73.8	82.0	90.2	98.4	106.6	114.8	123.0	131.2	139.4	147.6	ft.
	5,510	5,510	5,510	4,960	4,410	3,970	3,530	3,310	2,750	2,420	2,200	lbs.
	6,610	5,730	5,290	4,740	4,190	3,750	3,310	3,090	2,530	2,200	1,980	lbs.

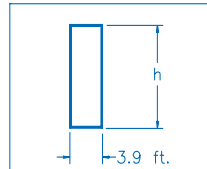
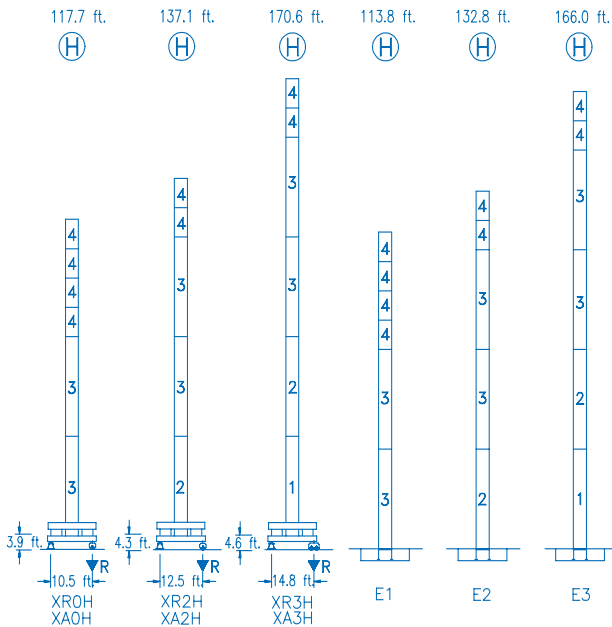
CE
DIN 15018 H1 B3

R	R(Cmax)	Cmax	65.6	73.8	82.0	90.2	98.4	106.6	114.8	123.0	131.2	139.4	147.6	ft.	lbs.
147.6	67.6 ft.	5,510	5,510	4,980	4,410	3,970	3,570	3,260	3,000	2,750	2,530	2,360	2,200		
	36.4 ft.	11,020	5,580	4,850	4,250	3,790	3,390	3,060	2,800	2,560	2,340	2,160	1,980		
139.4	68.9 ft.	5,510	5,510	5,090	4,520	4,050	3,660	3,350	3,060	2,820	2,600	2,420			
	37.1 ft.	11,020	5,690	4,940	4,360	3,880	3,480	3,150	2,860	2,600	2,400	2,200			
131.2	71.8 ft.	5,510	5,510	5,360	4,760	4,270	3,860	3,530	3,220	2,970	2,750				
	38.4 ft.	11,020	5,970	5,200	4,580	4,080	3,660	3,330	3,020	2,750	2,530				
123.0	78.7 ft.	5,510	5,510	5,510	5,240	4,720	4,270	3,900	3,570	3,310					
	41.9 ft.	11,020	6,590	5,750	5,070	4,540	4,080	3,700	3,370	3,090					
114.8	77.4 ft.	5,510	5,510	5,510	5,180	4,650	4,210	3,830	3,530						
	41.3 ft.	11,020	6,480	5,660	4,980	4,450	4,010	3,640	3,310						
106.6	79.7 ft.	5,510	5,510	5,510	5,330	4,810	4,340	3,970							
	42.3 ft.	11,020	6,680	5,820	5,130	4,580	4,140	3,750							
98.4	80.6 ft.	5,510	5,510	5,510	5,510	5,420	4,870	4,410							
	42.6 ft.	11,020	6,770	5,910	5,200	4,650	4,190								
90.2	82.0 ft.	5,510	5,510	5,510	5,510	5,510	4,960								
	43.3 ft.	11,020	6,880	6,020	5,310	4,740									
82.0	82.0 ft.	5,510	5,510	5,510	5,510										
	43.3 ft.	11,020	6,850	5,990	5,290										

5,510	5,510	65.6 ft.		65.6
6,610	11,020	42.0 ft.		
5,510	5,510	73.8 ft.		73.8
5,730	6,570	41.6 ft.		
73.8	65.6	Cmax	R(Cmax)	R

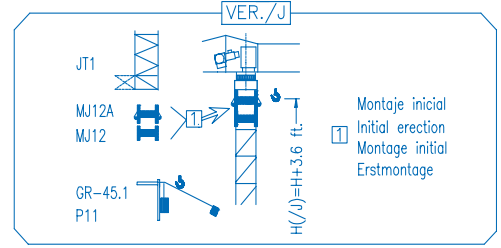
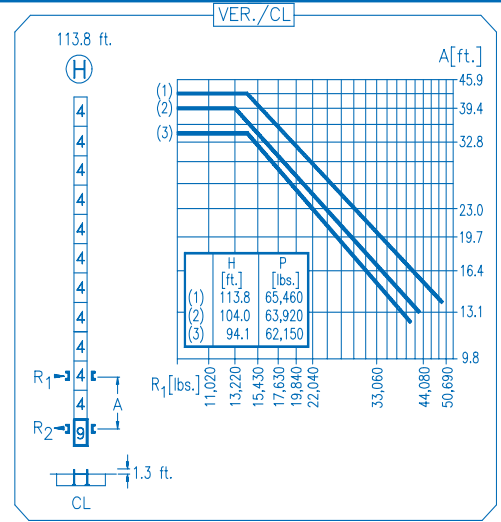
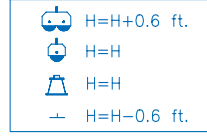
DS.0551.16 12/05 Reserva de modificaciones.- Subject to modifications.- Modifications réservées.- Konstruktionsänderungen vorbehalten.





N	Ref.	h
1	MT123	33.1 ft.
2	MH124A	38.7 ft.
3	MH124-1	38.7 ft.
4	MH121	9.8 ft.
9	CL20	7.2 ft.

MH124=(4)MH121-0.6 ft.



R. máx.	En servicio	XR0H 94,580 lbs.
	In operation	
	En service	
	In Betrieb	
	XR2H 96,560 lbs.	
	XR3H 113,320 lbs.	

R. máx.	Fuera de servicio	XR0H 118,610 lbs.
	Out of service	
	Hors service	
	Ausser Betrieb	
	XR2H 146,390 lbs.	
	XR3H 191,800 lbs.	

CS2-1.9
3 hp.
63 ft./min
189 ft./min

CFU-2.2
3 hp.
0 ⇄ 262 ft./min

GR-7.5
55 ft.lbs.
0 ⇄ 0.9 rpm

TS2-3.0 2x22 ft.lbs.	TS2-4.5 2x33 ft.lbs.	TS2-5.5 2x40 ft.lbs.
0 ⇄ 78 ft./min		
XR0H	XR2H	XR3H

ES3-18-12
29 hp.
ft./min: 32, 126, 252
lbs.: 5,510, 5,510, 2,860
ft./min: 16, 63, 126
lbs.: 11,020, 11,020, 5,730

ES3-13-12
21 hp.
ft./min: 24, 94, 189
lbs.: 5,510, 5,510, 2,860
ft./min: 12, 47, 94
lbs.: 11,020, 11,020, 5,730

EFU2-18-12
24 hp.
Graphs showing flow rate vs. pressure for different configurations.

EFU2-11-12
15 hp.
Graphs showing flow rate vs. pressure for different configurations.

Tensión de alimentación	480 V
Operating voltage	3 ph
Tension de service	60 Hz
Betriebsspannung	

Optional
En option
Kaufoption

COMANSA
Construcciones Metálicas COMANSA S. A.

Tel.: (34) 948 335 020
Fax: (34) 948 330 810
e-mail: info@comansa.com
www.comansa.com
Polígono Urbizkain
E-31620 HUARTE-PAMPLONA.- SPAIN

DS.0551.16 12/05 **5 LC 4510** 11,020 lbs.

