

Goldhofer Modular Transporter Type PST/SL-E 6

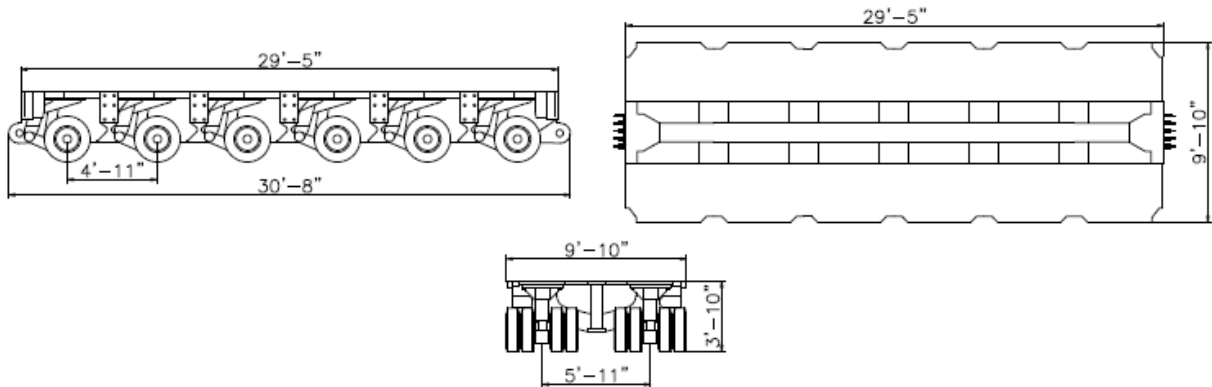
General vehicle dimensions:

- Wheel base	1.500 mm
- Loading height in lowered position	920 mm + 600 mm
- Loading height in mid stroke position	1.220 mm ± 300 mm
- Bogie width	3.000 mm
- Track	1.800 mm

General technical data:

Tires (8 x per axle line)	215/75 R 17, 5 135/133J TL
Axle load per axle line (at 5 km/h):	36.000 kg *
Dead weight per axle line (with drive):	approx.: 4.500 kg
Dead weight per axle line (without drive):	approx.: 3.800 kg

* Increase up to 40.000 kg possible after analysis of load and transport conditions.



General drive data:

Tractive force per driven axle (2 wheel sets):	140 KN (14.000 kg)
Max. speed (unladen):	14.9 km/h

General steering data

Vehicle equipped with multi-way steering system, type EMS with +/- 135° steering angle.

* For reference only. Contact your Bigge representative for additional information.