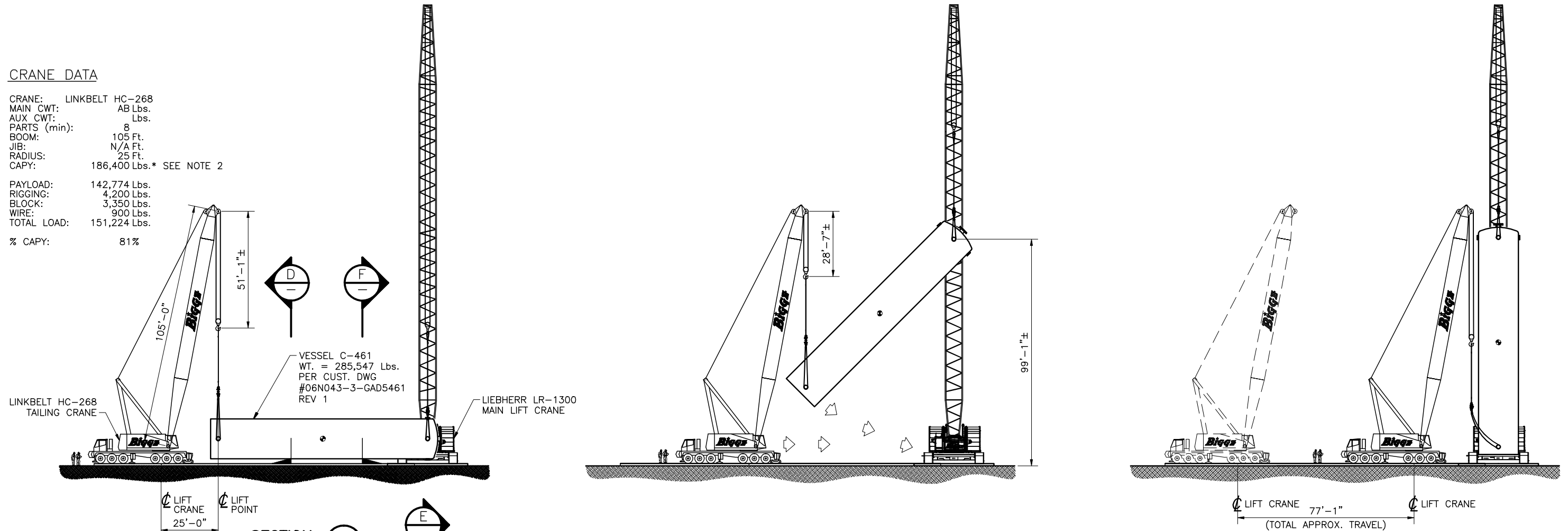


CRANE DATA

CRANE: LINKBELT HC-268
 MAIN CWT: AB Lbs.
 AUX CWT: Lbs.
 PARTS (min): 8
 BOOM: 105 Ft.
 JIB: N/A Ft.
 RADIUS: 25 Ft.
 CAPY: 186,400 Lbs.* SEE NOTE 2

PAYLOAD: 142,774 Lbs.
 RIGGING: 4,200 Lbs.
 BLOCK: 3,350 Lbs.
 WIRE: 900 Lbs.
 TOTAL LOAD: 151,224 Lbs.

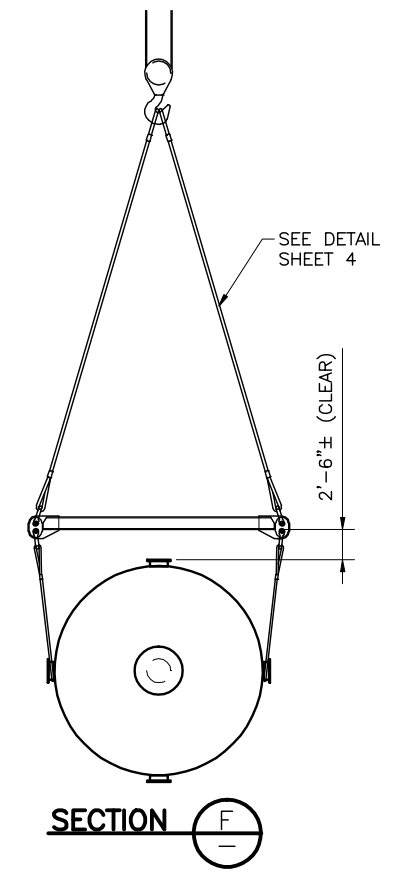
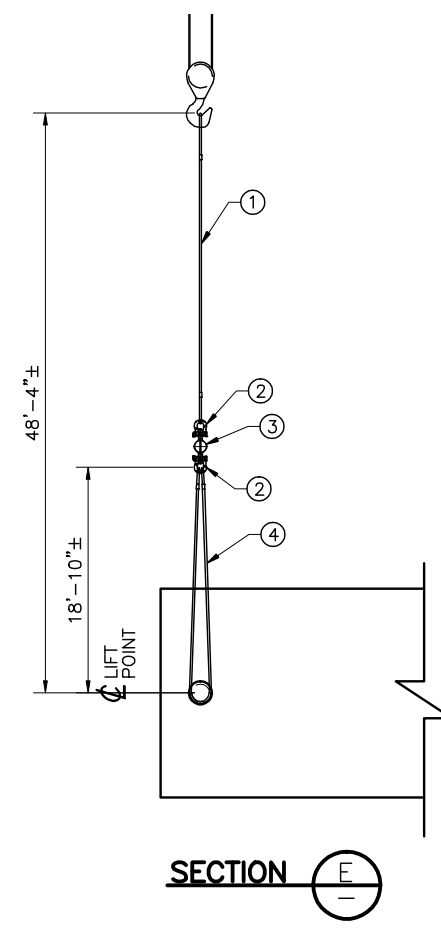
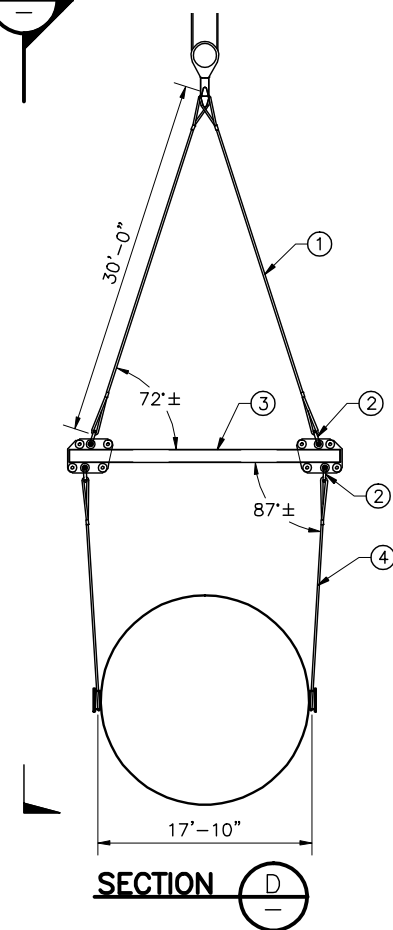
% CAPY: 81%



SECTION A

SECTION E

SECTION B



PRELIMINARY

NOTES:
 1) TRANSPORT TRAILER NOT SHOWN FOR CLARITY.
 2) CAPACITY SHOWN FOR CRANE ON ROLLING OUTRIGGERS.

TAILING CRANE EQUIPMENT LIST			
MK.	QTY	DESCRIPTION / EQUIPMENT No.	WEIGHT EACH
1	2	Ø2 1/2" X 30'-0" WIRE ROPE SLING	350
2	4	55T SHACKLE	100
3	1	SPREADER BAR SB-141 (CAP = 135T)	2,500
4	2	Ø2" X 40'-0" WIRE ROPE SLING	300
		(BASKET CONFIG)	

TOTAL RIGGING WEIGHT = 4,200 Lbs.

NO.	REVISIONS	DATE	BY	DATE	BY	DATE	BY
0	PRELIMINARY	11/20/07	RA	11/21/07	CF		

This drawing contains information proprietary to Bigge Crane and Rigging Co. It is submitted in confidence and is to be used solely for the purpose for which it is furnished and returned upon request. This drawing and such information is not to be reproduced, transmitted, disclosed or used in whole or in part without the written authorization of Bigge Crane and Rigging Co.

Bigge Established 1916
CRANE and RIGGING CO.

GENERAL ARRANGEMENT, ELEVATION VIEWS
 VESSEL C-461 UPEND & SET
 CILION
 KEYES, CALIFORNIA

SCALE: = N.T.S.	JOB No. 43881	DWG. No.	SHEET 1 of 4	REV. 0
-----------------	---------------	----------	--------------	--------