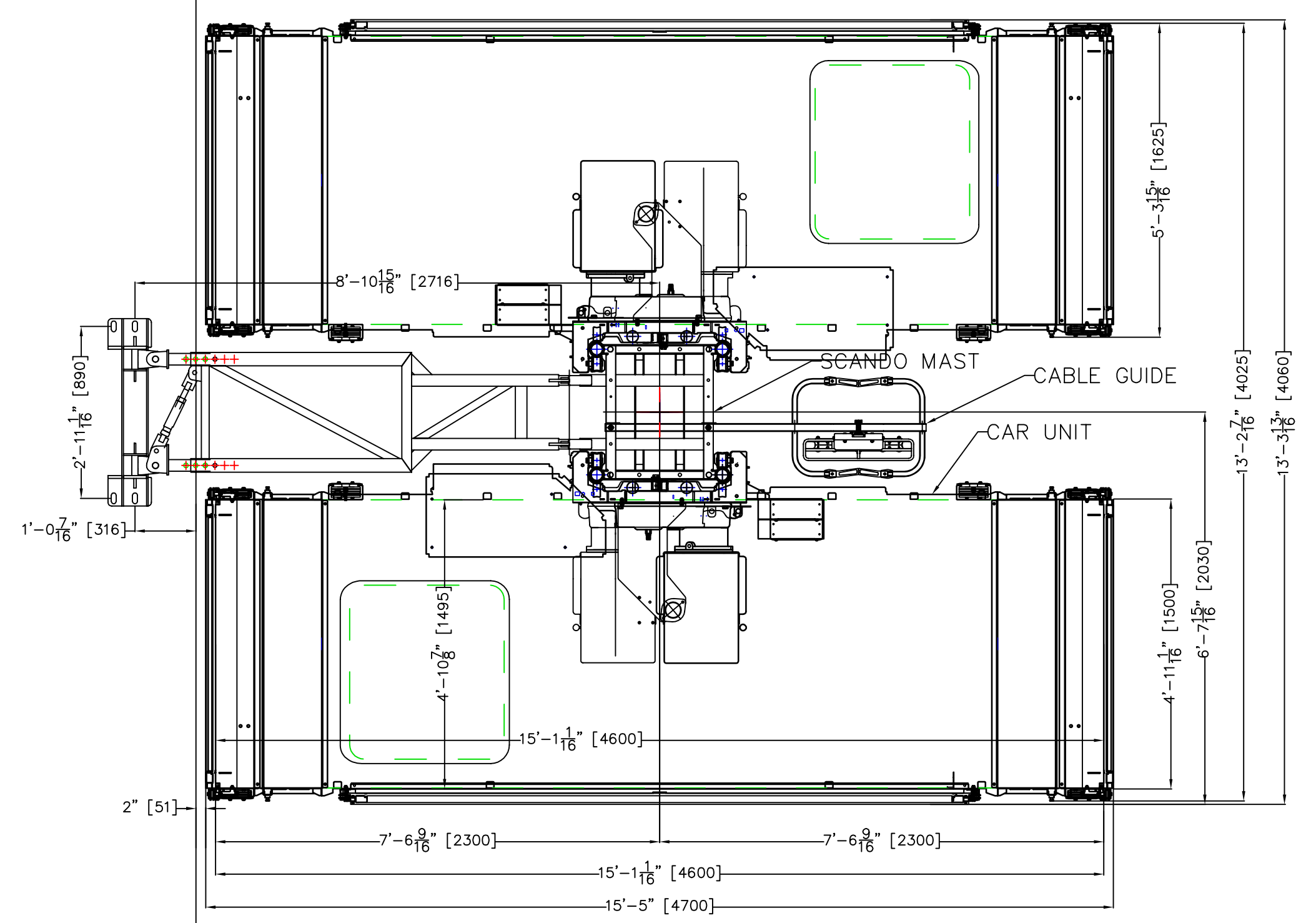
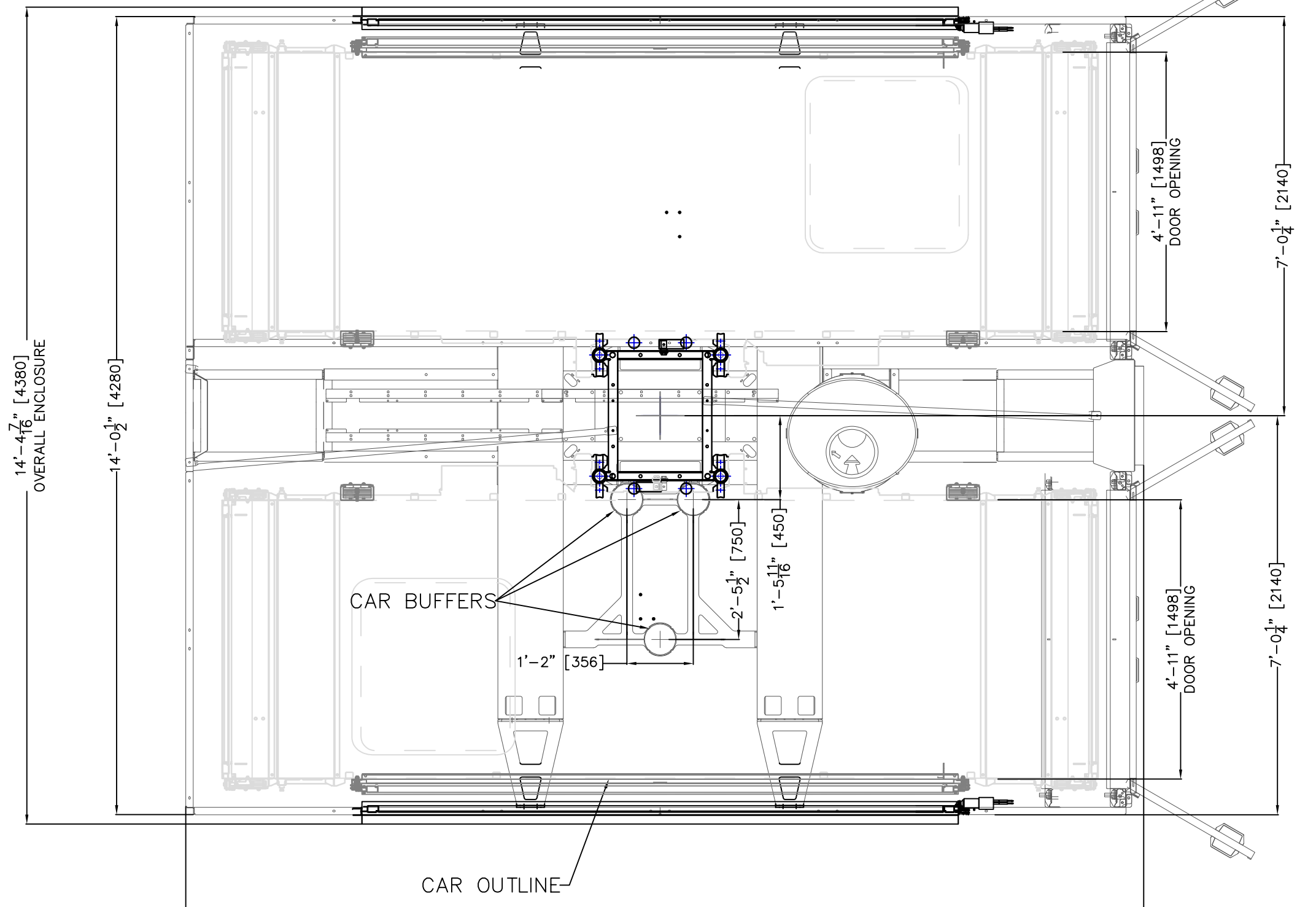


ELEVATION VIEW



INTERNAL CAR DIMENSIONS:  
4'-10 7/8\"/>

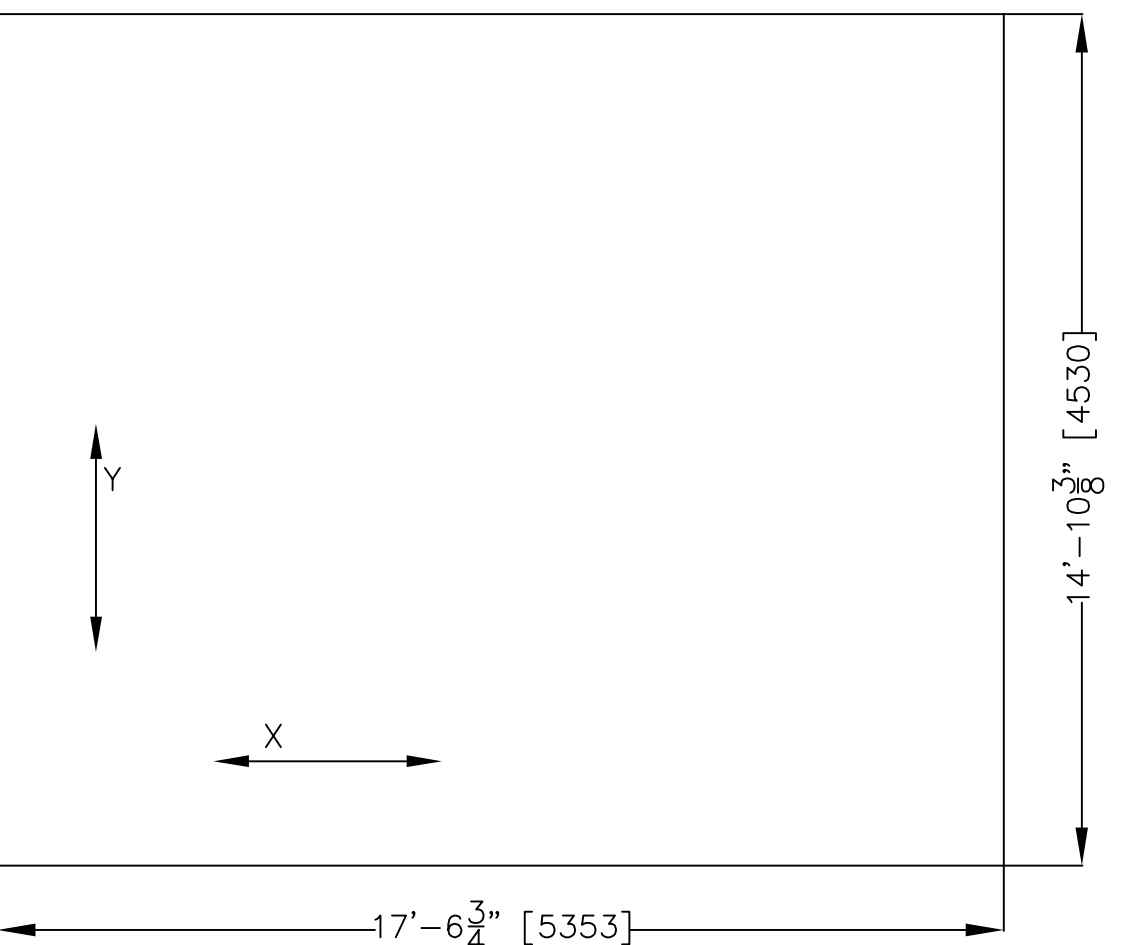
PLAN AT LANDINGS



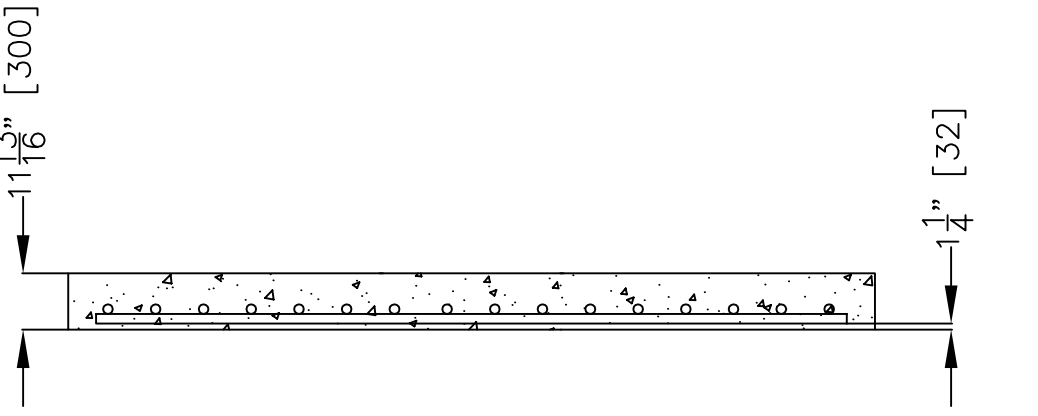
PLAN AT BASE

PLAN AT BASE

MINIMUM FOUNDATION REINFORCEMENT REQUIREMENTS  
 X - X  
 #5 REBAR AT 10\"/>

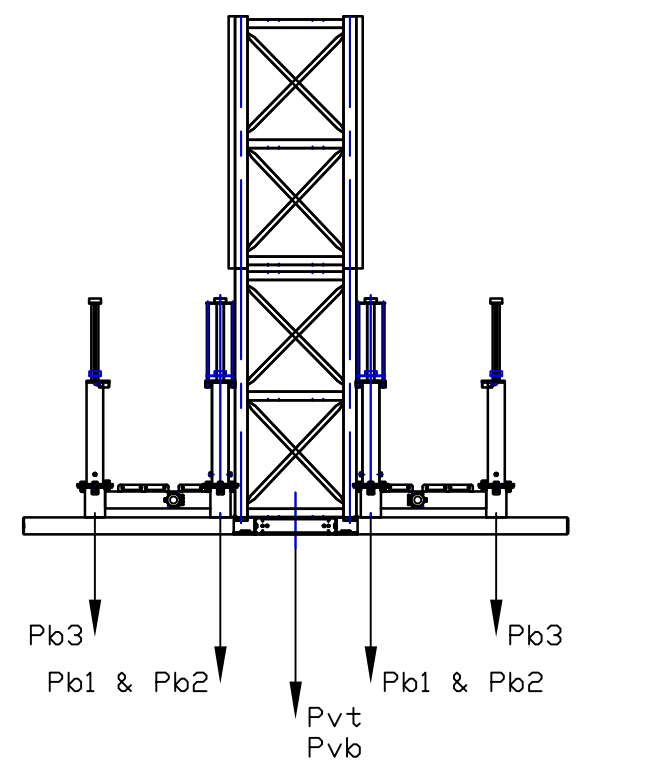


FOUNDATION PLAN VIEW



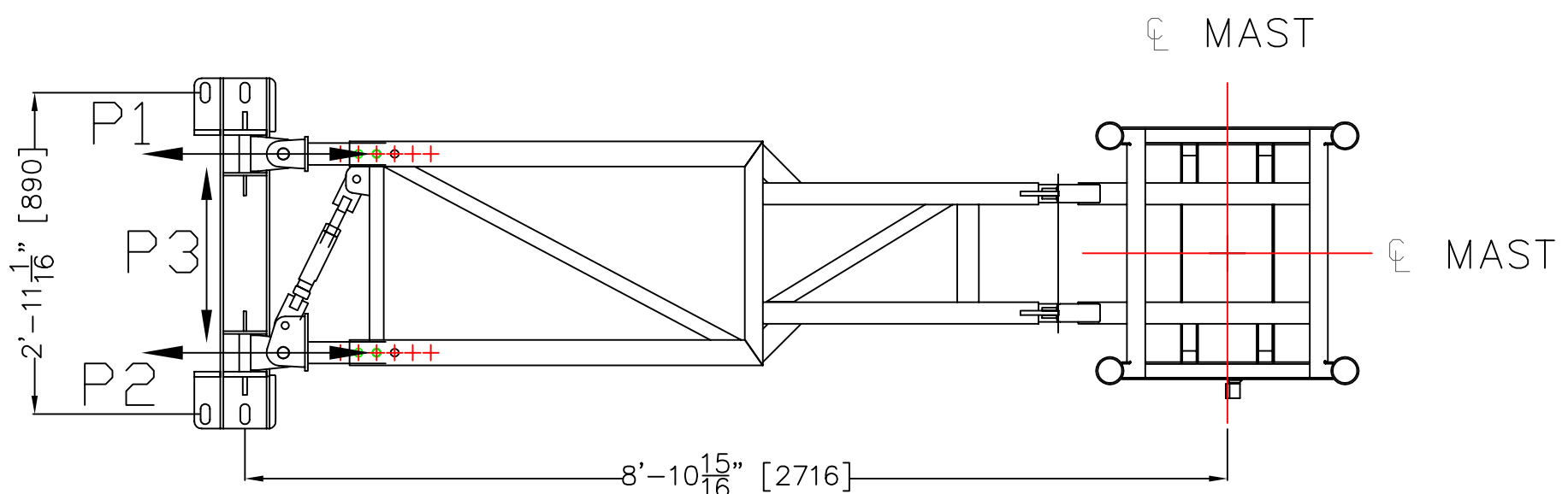
FOUNDATION SIDE VIEW

NOTE: VALID FOR MAST HEIGHTS UP TO 500'

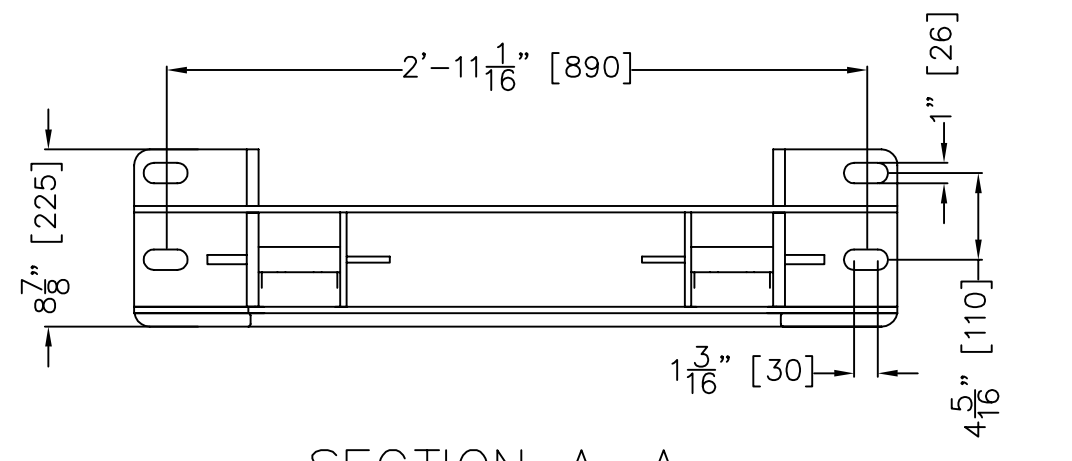


LOAD CASE 1 NORMAL OPERATION Pvt = 78.5 KIPS	LOAD CASE 2 BUFFER IMPACT Pb = 71.5 KIPS Pb1 = Pb2 = 27.2 KIPS Pb3 = 17.1 KIPS Pvb = 2.6 KIPS MAX LOAD = 71.5 KIPS
TOTAL LOAD = 78.5 KIPS	

CASE 1: TOTAL LOAD ON BASE FRAME FROM WEIGHT OF MAST, CAR, AND INCLUDING DYNAMIC FACTOR  
 CASE 2: TOTAL LOAD ON BASE FRAME FROM CAR(S) STRIKING THE BUFFER(S)  
 CASE 1 AND CASE 2 DO NOT OCCUR SIMULTANEOUSLY BASED ON MAST HEIGHT OF 520'



TYPE S3A TIE DETAIL  
 MAIN FRAME 9100630-460 & WALL BRACKET 9101500-210



SECTION A-A

MAXIMUM ANCHOR FORCES

- P1 = 34.0 KIPS
- P2 = 34.0 KIPS
- P3 = 7.1 KIPS

MACHINE TECHNICAL DATA SPECS	
MACHINE TYPE	ALIMAK SCANDO 650 FCS 32/50
CONFIGURATION	DUAL
LENGTH	15'-1"
LIFTING HEIGHT	500'
CAPACITY	7055 LBS / CAR
RATED SPEED	260-330 FT/MIN
MOTORPACK TYPE	VFC
NUMBER OF MOTORS	3 x 22kW
POWER SUPPLY REQUIREMENTS (PER CAR)	
VOLTAGE	480V, 3 PHASE
BREAKER SIZE	160A
FREQUENCY	60 HZ
STARTING CURRENT	150A
POWER CONSUMPTION	108 kVA

COMPONENT WEIGHTS	
BASE ENCLOSURE (W/ 1 COMPLETE CAR)	10692 LBS
CAR WITH DOORS	6658 LBS
MOTORPACK (VFC)	2646 LBS
MAST SECTION (DUAL)	298 LBS

- PROJECT NOTES
- TIE IN LOADS SHOWN WERE CALCULATED BASED ON WIND CODE ASCE 7-02; EXPOSURE C. MAXIMUM IN SERVICE WIND SPEED OF 40 MPH AND MAXIMUM OUT OF SERVICE WIND SPEED OF 100 MPH. OUT OF SERVICE WIND SPEED OF 100 MPH.
  - CONCRETE EXPANSION ANCHORS THAT FAIL TO MEET THE REQUIREMENTS OF EITHER MINIMUM EMBEDMENT OR SET TENSIONING SHALL BE REMOVED AND NEW ANCHORS INSTALLED HAVING A DEEPER EMBEDMENT OR LARGER DIAMETER WHERE POSSIBLE.
  - ABANDONED EXPANSION BOLT HOLES ARE TO BE FILLED WITH 5000 PSI NON-SHRINK GROUT.
  - ALL MAST BOLTS AND HARDWARE SCREWS TO HAVE LOCKNUTS.
  - ERECTOR NOTE - ON SITE CONDITIONS SHALL GOVERN. VARIATIONS TO BE REPORTED TO ALIMAK HEK PRIOR TO CONTINUATION OF WORK.
  - ERECTOR TO MAKE USE OF PLUMB BOBS, DROP LINES, LASERS, SPIRIT LEVELS AND SIMILAR TOOLS TO INSURE DIMENSIONAL ACCURACY.
  - MODIFICATIONS OF FURNISHED MAST TIE INS NOT ALLOWED WITHOUT PRIOR APPROVAL OF ALIMAK HEK.
  - ADEQUATE FOUNDATION TO SUPPORT FOOTPRINT AS SHOWN IN PLAN AT BOTTOM LANDING. SEE DATA ON THIS DRAWING FOR FOUNDATION FORCES.
  - ADEQUATE SUPPORT FOR GUIDEMAST FASTENING PER TIE IN SCHEDULE. SEE DATA ON DRAWING FOR GUIDEMAST FORCES.
  - HOISTS CARS HAVE C-DDORS MOUNTED.

ALIMAK HEK, INC.  
 CONSTRUCTION DIVISION  
 457 NATHAN DEAN BLVD, SUITE 105-322, DALLAS, GA 30132  
 TELEPHONE (678) 402-1004 TELEFAX (678) 623-0452

REV	REVISION REMARKS	DATE
A	FIRST DRAWING	6/17/15
B	LIFTING HEIGHT AND LOADS UPDATED	6/18/15
-	-	-
-	-	-

ALIMAK SCANDO 650 DUAL			
JOB NAME			
GENERAL LAYOUT			
JOB LOCATION			
CUSTOMER NAME			
DRAWN BY	DATE	SCALE	REV
GEJ	6/18/15	NONE	B
CHECKED BY	PAGE	DWG NO.	
GEJ	1 OF 1	6503246DCT	

THE INFORMATION CONTAINED IN THIS DOCUMENT IS THE SOLE PROPRIETARY PROPERTY OF ALIMAK HEK, INC. THE EXPRESS WRITTEN CONSENT OF ALIMAK HEK, INC. IS REQUIRED FOR ANY REPRODUCTION OR DISTRIBUTION OF THE ABOVE INFORMATION.