

KOBELCO

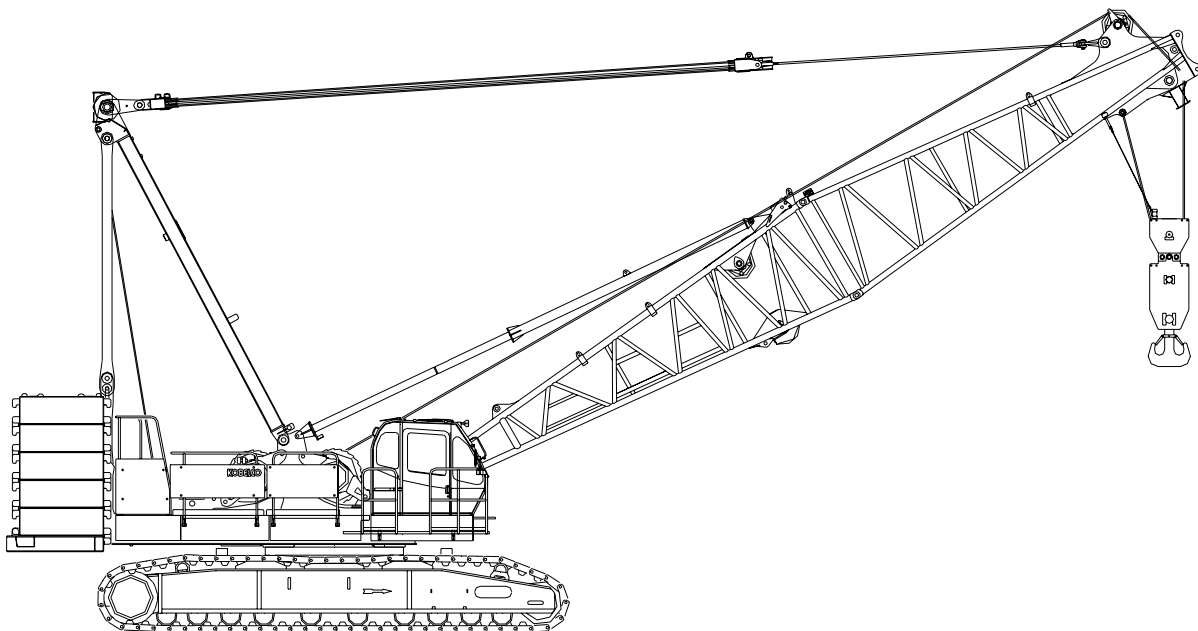
HYDRAULIC CRAWLER CRANE

CK2000-II

LUFFING JIB LIFTING
CAPACITIES

Max. Lifting Capacity: 107,100 lbs.

Max. Boom + Jib Length: 180 ft + 170 ft



SPECIFICATIONS FOR CK2000-II CRAWLER CRANE

Luffing Jib

The Kobelco CK2000-II Crawler Crane is designed from the ground up for reliable operation, convenient maintenance and easy transport.

Please consult your Kobelco distributor for additional information regarding specifications, operating parameters and maintenance requirements.

1. GENERAL DESCRIPTION

Type	Crawler mounted, fully revolving
Maximum lifting capacity with luffing jib	107,100 lbs (48,580 kg)
Basic boom length & jib length	70' + 70' (21.3 m + 21.3 m)
Maximum boom length & jib Length	180' + 170' (54.9 m + 51.8 m)
Working weight	Approx. 377,600 lbs (171,000 kg)
Ground bearing pressure (with 70' boom + 70' jib)	Approx. 13.8 psi (95 kPa)

Condition of working weight and ground pressure: upper and lower machine, counterweight, 70' boom and 70' jib hook block.

2. WORKING SPEED

Hoist line speed (front and rear drum)	330 ~ 10 ft/min (100 ~ 3 m/min)
Lowering line speed (front and rear drum)	330 ~ 10 ft/min (100 ~ 3 m/min)
Boom hoist line speed	178 ~ 7 ft/min (54 ~ 2 m/min)
Boom lowering line speed	178 ~ 7 ft/min (54 ~ 2 m/min)
Jib hoist line speed	144 ft/min (44 m/min)
Jib lowering line speed	144 ft/min (44 m/min)
Swing speed	2.6 rpm (2.6 min ⁻¹)
Travel speed (High / Low)	0.68 / 0.41 mph (1.1 / 0.66 km/hour)

Line speed based on single line, no load and first layer of rope on the drum. Line speed is controllable by Dial-Type Speed Control System.

3. COUNTERWEIGHT

Upper Counterweight	132,280 (60,000 kg)
Carbody Counterweight	44,100 (20,000 kg)

4. LUFFING JIB ATTACHMENTS

4.1 Boom

The welded lattice construction uses tubular, high-tension steel chords with pin connections between sections, extendible up to 180' (54.9 m).

Basic boom length	70' (21.3 m)
Boom tip section (with pin connected boom point sheave)	12' (3.66 m)

Boom insert section

(with idler sheave)	30' (9.14 m)
Boom base section	28' (8.53 m)

4.2 Boom insert (Optional)

Boom inserts is available to provide extension capabilities. They feature welded lattice construction with tubular, high-tension steel chords and pin connections on each one of 10' (3.05 m), 20' (6.10 m), 30' (9.14 m) in length.

4.3 Luffing Jib

The jib employs welded lattice construction with tubular, high-tension steel chords with pin connections between sections, extendible up to 170' (51.8 m).

Basic jib length	70' (21.3 m)
Jib tip section	21' (6.40 m)
Jib base section	19' (5.80 m)
No. of point sheaves	2
Maximum jib length	170' (51.8 m)
Insert jib length	10' (3.05 m), 20' (6.10 m) 40' (12.2 m)

Jib boom inserts are available to provide extension capabilities. They feature welded lattice construction with tubular, high-tension steel chords and pin connections.

4.4 Auxiliary sheave

One (1) sheave with rollers, required during erection of jib.

4.5 Diameter of wire rope

Hoist rope	1" (25.4 mm)
Jib hoist rope (8 parts)	7/8" (22.2 mm)
Boom hoist rope (16 parts)	7/8" (22.2 mm)
Boom suspension rope	1-3/16" (30 mm)
Jib suspension rope	1-11/32" (34 mm)
Strut suspension rope	1-3/16" (30 mm)

4.6 Boom hoist reeving

Sixteen (16) parts of 7/8" (22.2 mm) dia. high strength wire rope.

4.7 Jib hoist reeving

Eight (8) parts of 7/8" (22.2 mm) dia. high strength wire rope.



4.8 Boom backstops

Telescopic type with spring bumper.

4. JIB HOIST DRUM

Jib hoist drum (3rd drum on straight crane)
Powered by hydraulic motor
through planetary reducer.

Drum Single drum
grooved for 7/8" (22.2 mm) dia. wire rope

Brake A spring-set, hydraulically released
multiple-disc brake is internally configured in the
hoist motor and is operated through a
counter-balance valve.
External ratchet for locking drum.

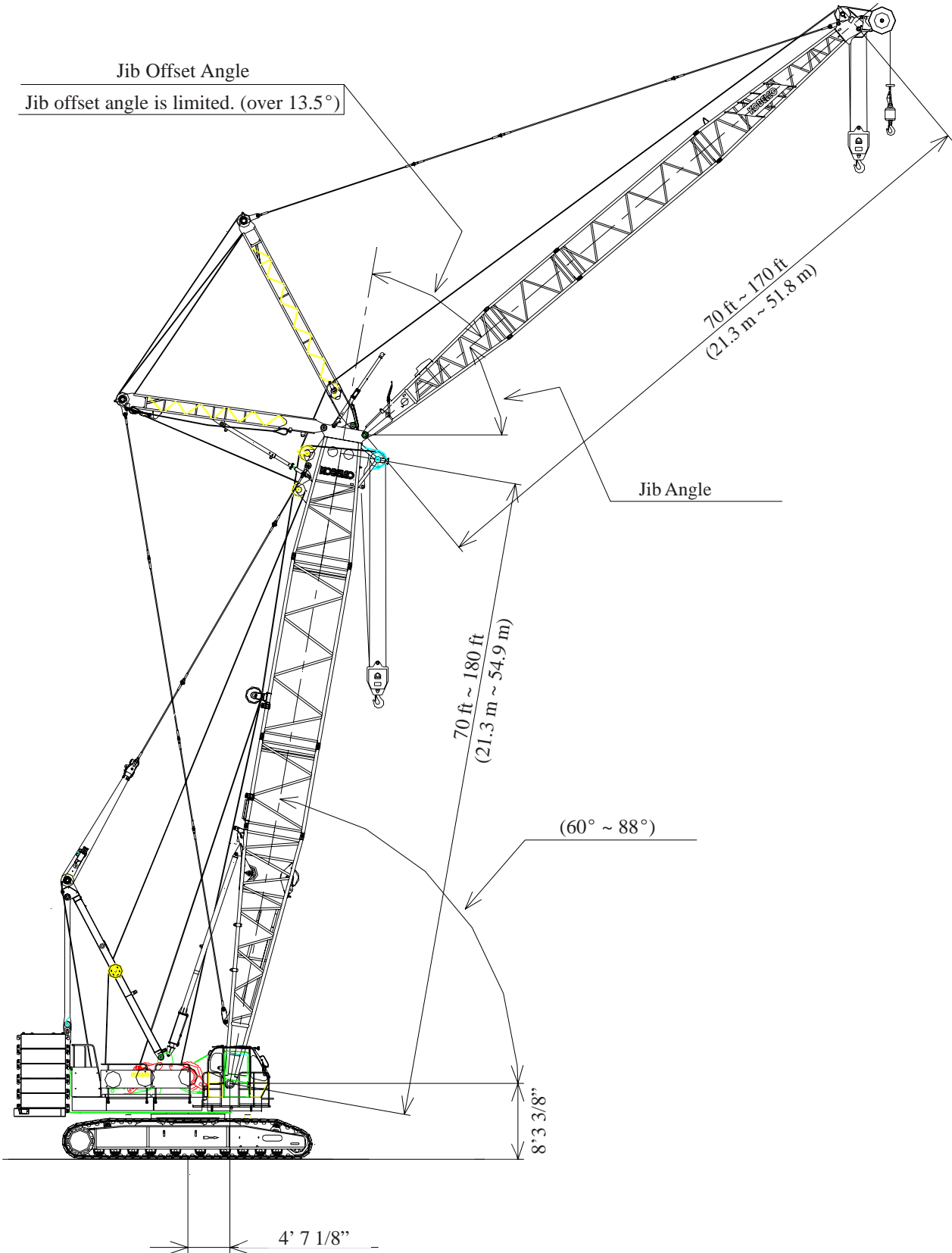
9. SAFETY SERVICE

Function lock lever
Hook over hoist shut off (Anti-two-block)
Boom and jib over hoist limit switch
Boom angle indicator
Signal horn
Boom and jib hoist drum lock
Front and rear hoist drum lock
Swing lock
Swing alarm (Buzzer and lamps)
Boom backstops
Jib backstops
Strut backstops
Over load preventive device (Load Moment Indicator)

All specifications are subject to change without notice.



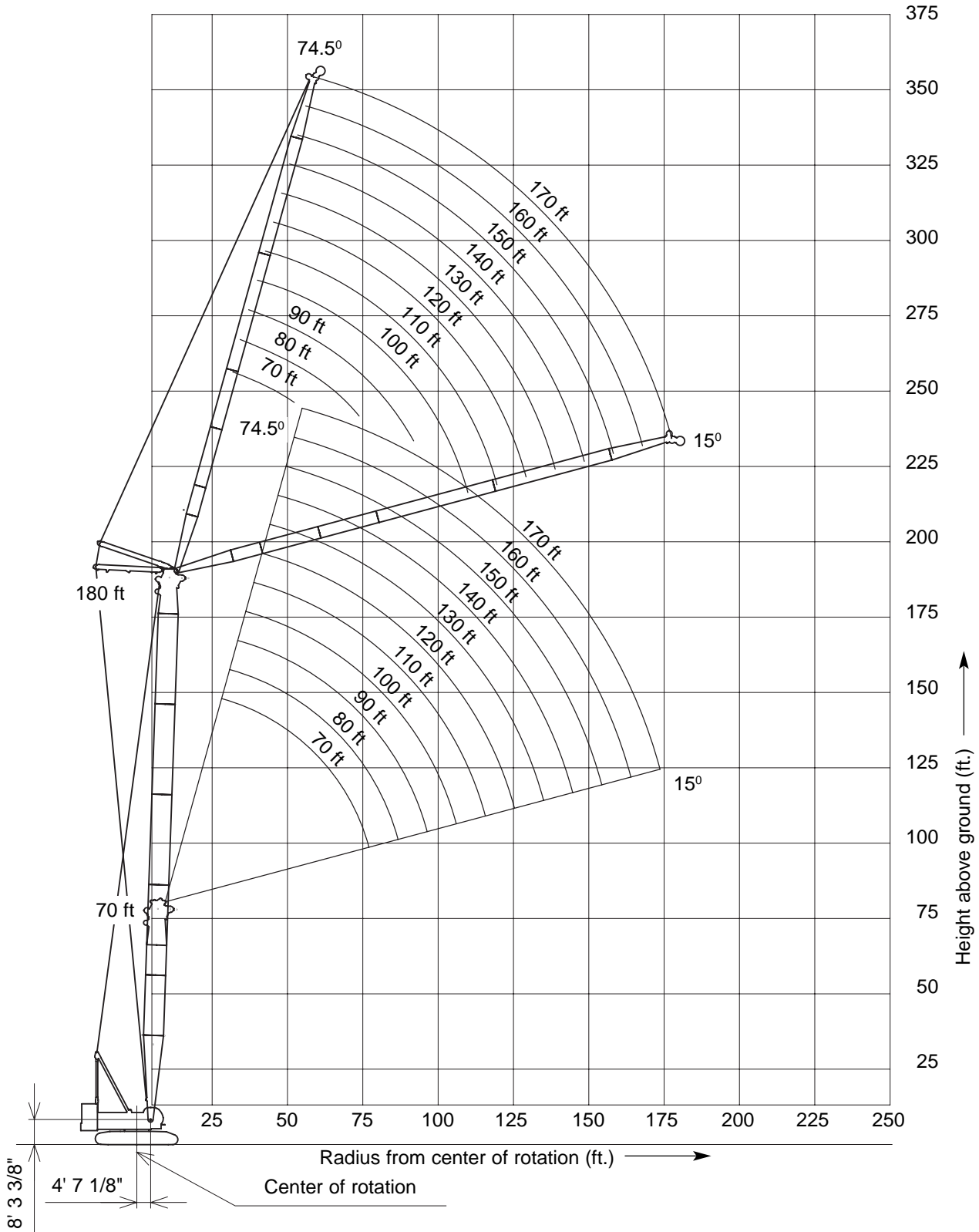
Luffing Jib Outside Dimensions



Luffing Jib Working Ranges



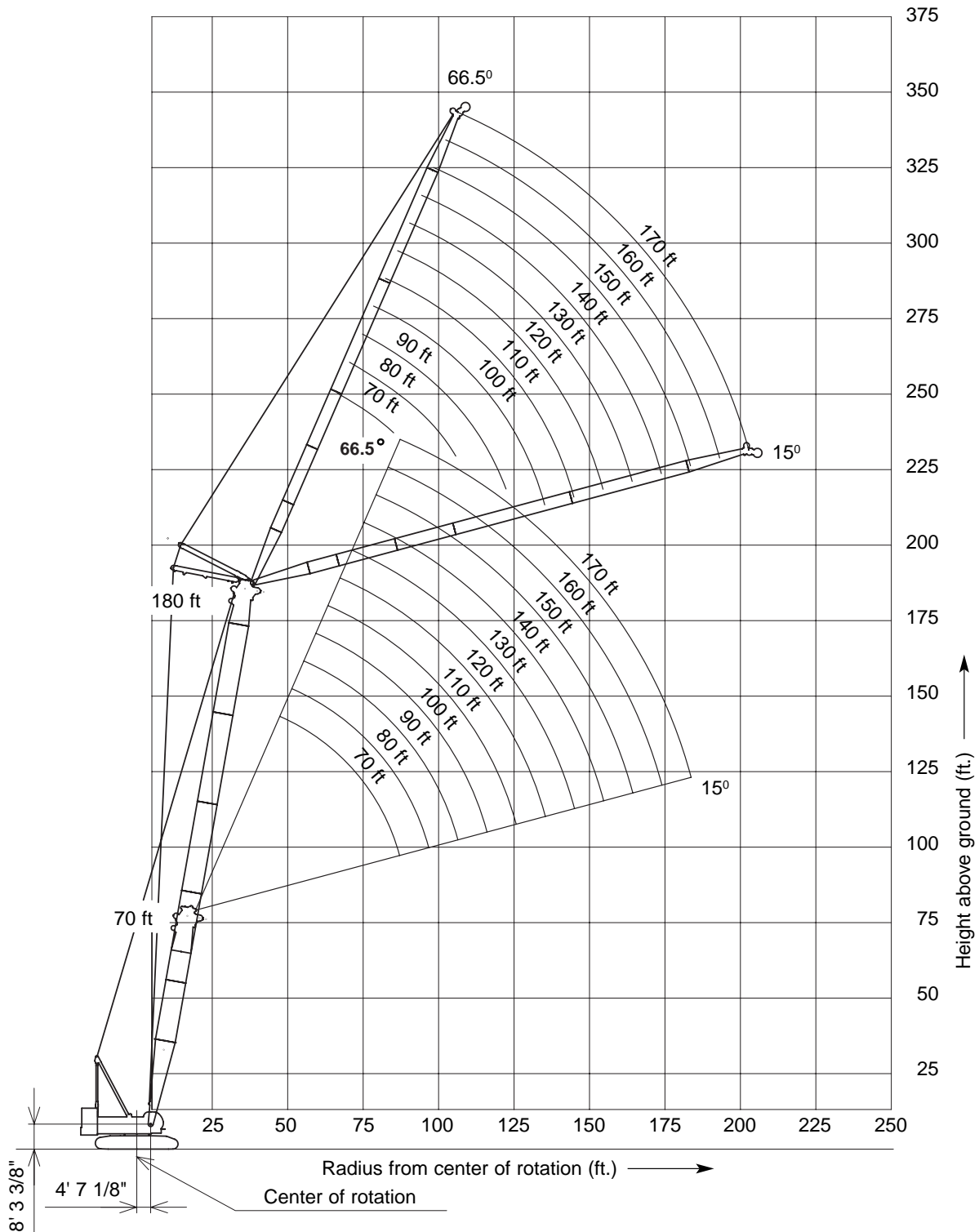
Boom Angle 88°



Luffing Jib Working Ranges



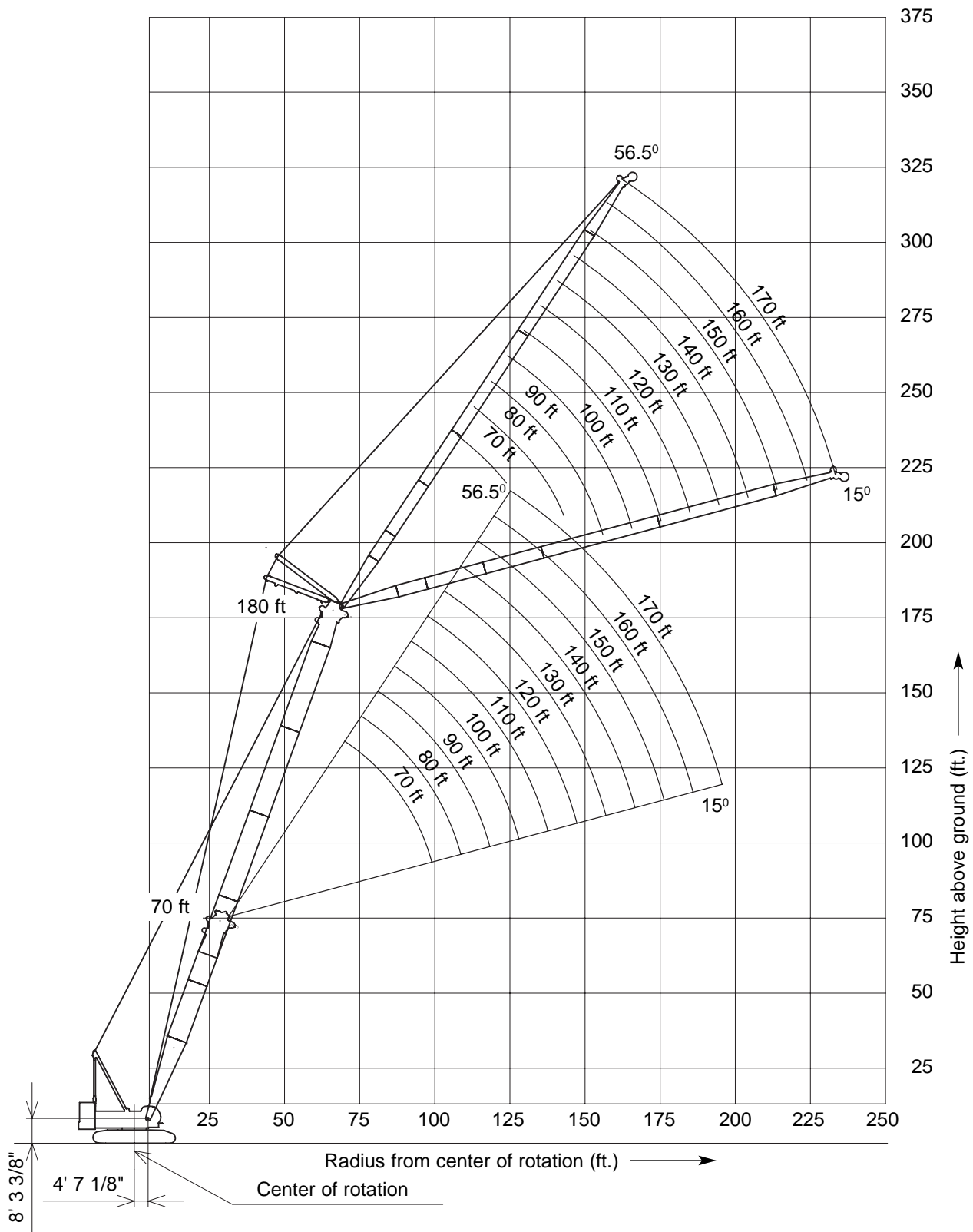
Boom Angle 80°



Luffing Jib Working Ranges



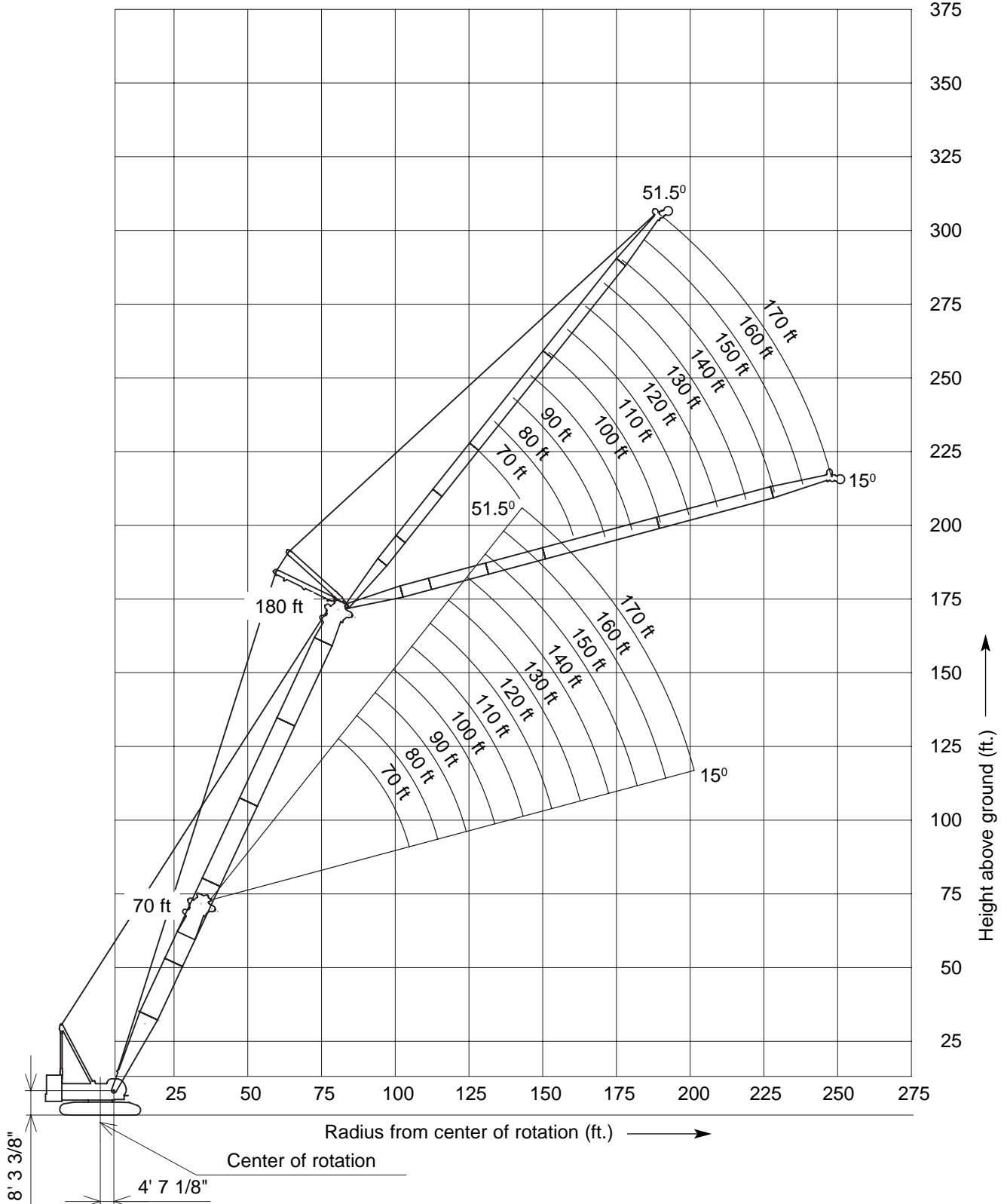
Boom Angle 70°



Luffing Jib Working Ranges



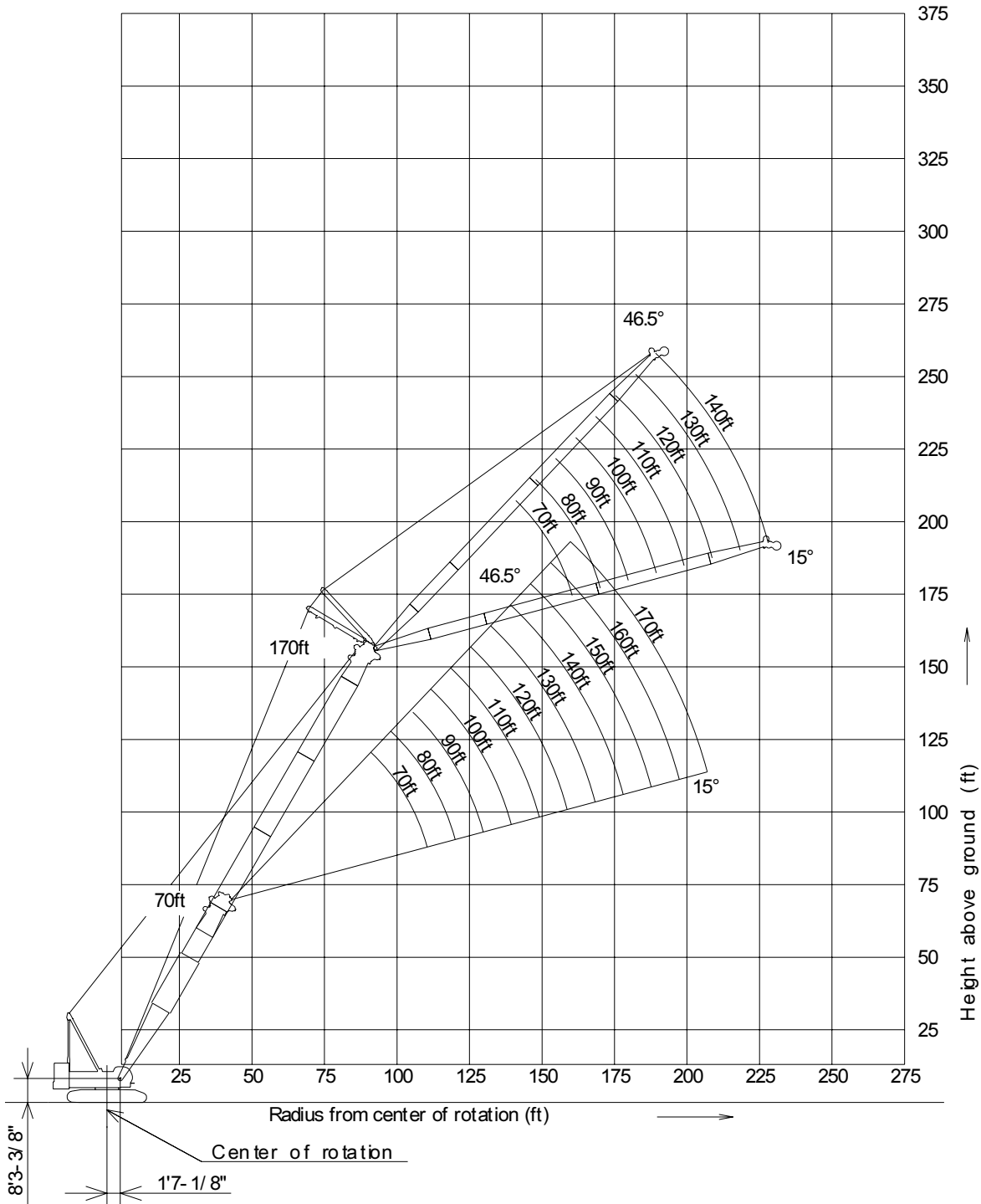
Boom Angle 65°



Luffing Jib Working Ranges



Boom Angle 60°



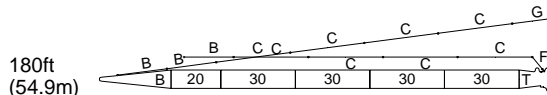
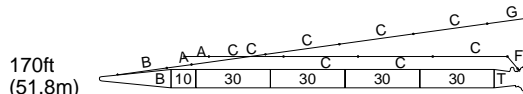
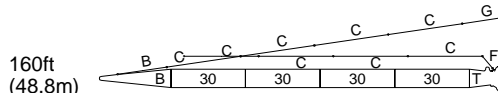
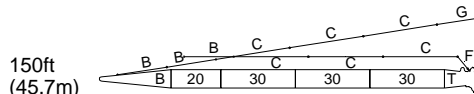
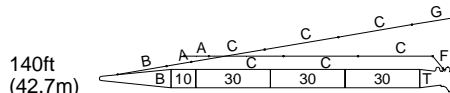
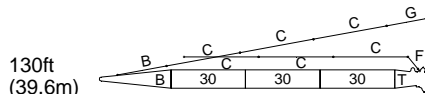
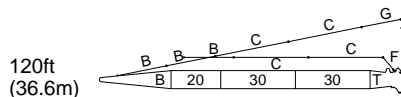
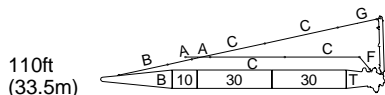
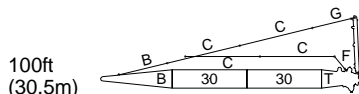
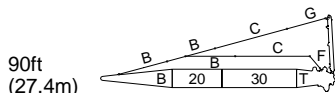
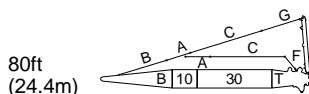
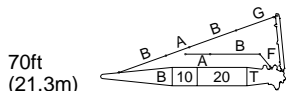
Boom and Guy Wire Arrangement



(Luffing Jib) 1/2

Symbol	Dia in.(mm)	Length ft-in(m)
A	1-3/16"(30)	10'(3.05)
B	1-3/16"(30)	20'(6.10)
C	1-3/16"(30)	30'(9.14)
F	1-3/16"(30)	6'4"(1.94)
G	1-3/16"(30)	16'(4.88)

For most efficient use of this machine, boom and guy line arrangement must be correctly observed as shown.

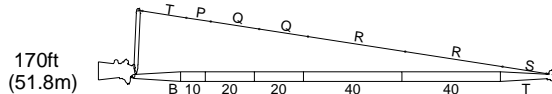
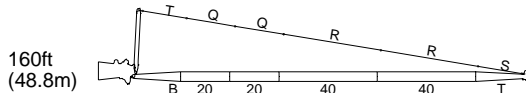
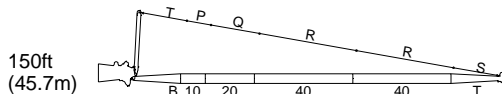
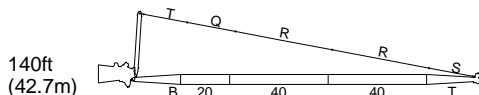
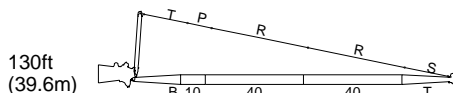
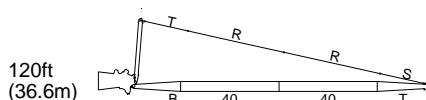
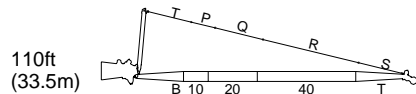
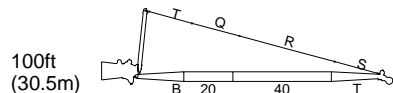
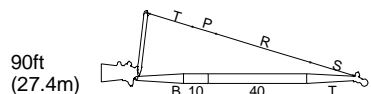
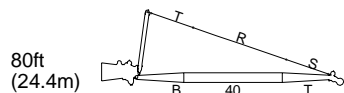
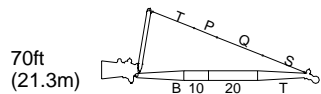


Jib and Guy Wire Arrangement

(Luffing Jib) 2/2

Symbol	Dia in.(mm)	Length ft-in(m)
P	1-11/32"(34)	10'(3.05)
Q	1-11/32"(34)	20'(6.10)
R	1-11/32"(34)	40'(12.2)
S	1-11/32"(34)	18'(5.50)
T	1-11/32"(34)	18'(5.50)

For most efficient use of this machine, boom and guy line arrangement must be correctly observed as shown.



Rating Chart Supplemental Data



1. Rated loads included in the charts are the maximum allowable freely suspended loads at a given boom length, boom angle and load radius, and have been determined for the machine standing level on firm supporting surface under ideal operating conditions. The user must limit or de-rate rated loads to allow for adverse conditions (such as soft or uneven ground, out-of-level conditions, wind, side loads, pendulum action, jerking or sudden stopping of loads, inexperience of personnel, multiple machine lifts, and traveling with a load).

2. Capacities do not exceed 75% of minimum tipping loads. Capacities based on factors other than machine stability such as structural competence are shown by asterisk * in the charts.

3. The machine must be reeved and set-up as stated in the operation manual and all the instruction manuals. If these manuals are missing, obtain replacements.

- Boom backstops are required for all boom lengths.
- Gantry must be fully raised position for all operations.
- The crane must be leveled to within 1% on a firm supporting surface.

4. Do not attempt to lift where no radius on load is listed as crane may tip or collapse.

5. Attempting to lift more than rated loads may cause machine to tip or collapse. Do not tip machine to determine capacity.

6. Weight of hooks, hook blocks, slings and other lifting devices are a part of the total load. Their total weight must be subtracted from the rated load to obtain the weight that can be lifted.

7. The total load that can be lifted over a jib is limited by rated jib loads.

8. The total load that can be lifted over an auxiliary sheave should not exceed 29,500 lbs.

9. The boom should be erected over the front of the crawlers, not laterally. When erecting and lowering for all boom and jib combinations, the blocks for erection must be placed at the end of the crawlers.

10. Least stable position is over the side.

11. Luffing boom and jib combinations.

		Jib Length (ft)										
		70	80	90	100	110	120	130	140	150	160	170
Boom Length (ft)	70	0	0	0	0	0	0	0	0	0	0	0
	80	0	0	0	0	0	0	0	0	0	0	0
	90	0	0	0	0	0	0	0	0	0	0	0
	100	0	0	0	0	0	0	0	0	0	0	0
	110	0	0	0	0	0	0	0	0	0	0	0
	120	0	0	0	0	0	0	0	0	0	0	0
	130	0	0	0	0	0	0	0	0	0	0	0
	140	0	0	0	0	0	0	0	0	0	0	0
	150	0	0	0	0	0	0	0	0	0	0	0
	160	0	0	0	0	0	0	0	0	0	0	0
	170	0	0	0	0	0	0	0	0	0	0	0
180	0	0	0	0	0	0	0	0	0	0	0	

0: Combinations which are allowed.

12. Maximum number of reeving parts of line for hoist rope.

(1) Luffing jib

		Jib Length (ft)										
		70	80	90	100	110	120	130	140	150	160	170
Boom Length (ft)	70	4	4	4	4	4	4	4	4	2	2	2
	80	4	4	4	4	4	4	4	4	2	2	2
	90	4	4	4	4	4	4	4	4	2	2	2
	100	4	4	4	4	4	4	4	4	2	2	2
	110	4	4	4	4	4	4	4	4	2	2	2
	120	4	4	4	4	4	4	4	4	2	2	2
	130	4	4	4	4	4	4	4	4	2	2	2
	140	4	4	4	4	4	4	4	2	2	2	2
	150	4	4	4	4	4	4	2	2	2	2	2
	160	4	4	4	4	4	4	2	2	2	2	2
	170	4	4	4	4	4	2	2	2	2	2	2
180	4	4	4	4	4	2	2	2	2	2	2	

(2) Crane boom with luffing jib attached

		Jib Length (ft)										
		70	80	90	100	110	120	130	140	150	160	170
Boom Length (ft)	70	6	6	6	6	6	6	6	6	6	6	6
	80	6	6	6	6	6	6	6	6	6	6	6
	90	6	6	6	6	6	6	6	6	6	6	6
	100	6	6	6	6	6	6	6	6	6	6	6
	110	6	6	6	6	6	6	6	6	6	6	6
	120	6	6	6	6	6	6	6	6	6	6	6
	130	6	6	6	6	6	6	6	6	6	4	4
	140	6	6	6	6	6	6	6	6	4	4	4
	150	6	6	6	4	4	4	4	4	4	4	4
	160	4	4	4	4	4	4	4	4	4	4	4
	170	4	4	4	4	4	4	4	4	4	4	4
180	4	4	4	4	4	4	4	4	4	4	4	



13. Maximum hoist load for number of reeving parts of line for hoist rope.

Main boom hoist loads

No. of parts of lines	1	2	(3)	4
Maximum loads (lbs)	29,500	59,000	88,500	118,000

Parts of lines	(5)	6
Maximum loads (lbs)	147,500	155,600

Jib hoist loads

No. of parts of lines	1	2	(3)	4
Maximum loads (lbs)	29,500	59,000	88,500	107,100

Auxiliary sheave hoist loads

No. of parts of lines	1
Maximum loads (lbs)	29,500

Parts of lines with parenthesis () is not recommended for lifting.

14. Lifting capacities listed apply only to the machine as originally manufactured and designed by Kobelco Cranes Co., LTD. Modifications to this machine or use of equipment other than that specified can reduce operating capacity.
15. Designed and rated to comply with ANSI Code B30.5.

Operation of this equipment in excess of rated loads or disregard of instruction voids the warranty.



CK2000-II Luffing Jib Rating Loads in Pounds

Refer to notes page 10

11 Counterweights (132,280 lbs.) + 2 Low Weights (22,050 lbs. x 2)

70' Boom								70' Boom							
Load Radius (ft.)	70 ft Jib							Load Radius (ft.)	80 ft Jib						
	Boom Angle (deg.)								Boom Angle (deg.)						
	88	83	80	75	70	65	60		88	83	80	75	70	65	60
30	107,100 *							30							
32	106,700 *							32	104,400 *						
34	106,300 *							34	104,400 *						
36	105,800 *							36	104,400 *						
38	105,400 *							38	104,400 *						
40	104,900 *							40	104,400 *						
42	104,500 *	104,400 *						42	104,400 *						
44	101,600 *	104,400 *						44	101,400 *						
46	95,200 *	104,400 *						46	95,000 *	104,400 *					
48	89,500 *	101,600 *						48	89,500 *	101,400 *					
50	84,400 *	96,100 *	95,000					50	84,400 *	95,900					
55	73,600 *	84,800 *	83,700					55	73,400 *	84,600	83,500				
60	65,400 *	75,800 *	74,900	73,100				60	65,200 *	75,600	74,700				
65	58,600 *	67,400 *	67,400	66,100				65	58,400 *	67,400 *	67,400	65,600			
70	52,900 *	60,400 *	61,500	60,100				70	52,900 *	60,100 *	61,200	59,900			
75	48,000 *	54,200 *	56,400	55,300	53,700			75	48,000 *	54,000 *	56,200	54,800			
80		49,300 *	52,000	50,900	50,000			80	43,800 *	49,100 *	51,800	50,700	49,100		
85			48,000 *	47,100	46,200	44,900		85	40,500 *	44,900 *	48,000	46,900	45,800		
90				43,800	42,900	42,100		90		41,200 *	44,500 *	43,600	42,700	41,400	
95					40,100	39,200	38,100	95			41,000 *	40,700	39,900	39,000	
100						36,800	36,100	100				38,100	37,400	36,500	35,200
105							33,900	105					35,200	34,300	33,500
110							31,900	110						32,400	31,500
115								115							29,700
120								120							28,200
125								125							
130								130							
135								135							
140								140							

70' Boom								70' Boom							
Load Radius (ft.)	90 ft Jib							Load Radius (ft.)	100 ft Jib						
	Boom Angle (deg.)								Boom Angle (deg.)						
	88	83	80	75	70	65	60		88	83	80	75	70	65	60
36	104,400 *							36							
38	104,400 *							38	104,400 *						
40	104,400 *							40	104,400 *						
42	104,400 *							42	104,400 *						
44	101,100 *							44	100,900 *						
46	95,000 *							46	94,600 *						
48	89,200 *							48	89,000 *						
50	84,200 *	95,600						50	83,900 *						
55	73,400 *	84,400						55	73,000 *	84,200					
60	65,000 *	75,300	74,200					60	64,800 *	75,300					
65	58,400 *	67,200 *	67,200					65	58,200 *	67,900 *	66,700				
70	52,600 *	60,100 *	61,200	59,500				70	52,400 *	60,600 *	61,000				
75	47,800 *	54,000 *	55,900	54,600				75	47,600 *	54,500 *	55,700	54,200			
80	43,800 *	49,100 *	51,800	50,400				80	43,600 *	49,400 *	51,500	50,400			
85	40,300 *	44,900 *	47,800	46,700	45,400			85	40,100 *	45,200 *	47,600	46,700			
90	37,200 *	41,200 *	44,500 *	43,400	42,500			90	37,000 *	41,600 *	44,300 *	43,400	41,800		
95	34,600 *	38,100 *	40,800 *	40,500	39,600	38,300		95	34,300 *	38,100 *	40,600 *	40,500	39,400		
100		35,200 *	37,900 *	38,100	37,200	36,300		100	32,000 *	35,500 *	37,500 *	37,900	37,000		
105			35,000 *	35,700	35,000	34,100		105		33,000 *	34,800 *	35,700	34,800	33,500	
110				33,700	33,000	32,100	31,000	110		30,800 *	32,400 *	33,700	32,800	31,900	
115					31,000	30,400	29,700	115			30,200 *	31,700	31,000	30,200	29,100
120						28,800	27,900	120				30,200	29,300	28,600	27,900
125							26,600	125					27,700	27,100	26,600
130								130						25,700	25,300
135								135							24,000
140								140							

CK2000-II Luffing Jib Rating Loads in Pounds

Refer to notes page 10

11 Counterweights (132,280 lbs.) + 2 Low Weights (22,050 lbs. x 2)

70' Boom								70' Boom							
Load Radius (ft.)	110 ft Jib							Load Radius (ft.)	120 ft Jib						
	Boom Angle (deg.)								Boom Angle (deg.)						
	88	83	80	75	70	65	60		88	83	80	75	70	65	60
40	104,400 *							40							
42	104,400 *							42							
44	100,700 *							44	88,500 *						
46	94,300 *							46	88,500 *						
48	88,600 *							48	88,400 *						
50	83,500 *							50	83,300 *						
55	72,900 *	83,900						55	72,500 *						
60	64,500 *	75,100						60	64,300 *	74,700					
65	57,700 *	67,600 *	66,500					65	57,500 *	67,400 *					
70	52,200 *	60,400 *	60,600					70	52,000 *	60,100 *	60,100				
75	47,300 *	54,200 *	55,500					75	47,000 *	54,000 *	55,300				
80	43,400 *	49,300 *	51,100	49,600				80	43,000 *	48,900 *	50,900				
85	39,900 *	44,900 *	47,300	46,200				85	39,600 *	44,700 *	47,100	45,600			
90	36,800 *	41,400 *	44,000 *	42,900				90	36,500 *	41,000 *	43,800 *	42,700			
95	34,100 *	38,100 *	40,500 *	40,300	38,800			95	33,700 *	37,900 *	40,100 *	39,900			
100	31,700 *	35,200 *	37,400 *	37,600	36,500			100	31,500 *	35,000 *	37,000 *	37,400	35,900		
105	29,500 *	32,800 *	34,600 *	35,400	34,300			105	29,300 *	32,600 *	34,300 *	35,200	34,100		
110	27,700 *	30,600 *	32,100 *	33,200	32,400	31,300		110	27,500 *	30,400 *	31,900 *	33,000	32,100		
115		28,600 *	29,900 *	31,500	30,600	29,700		115	25,700 *	28,400 *	29,700 *	31,300	30,400	29,100	
120		26,800 *	28,200 *	29,700	29,100	28,200	27,100	120	24,200 *	26,600 *	27,900 *	29,500	28,800	28,200	
125			28,200	27,500	26,600	26,200		125		24,900 *	26,200 *	27,900	27,300	26,600	
130				26,200	25,300	24,900		130		23,500 *	24,600 *	26,600	26,000	25,300	24,000
135				24,900	24,200	23,500		135				25,300	24,600	24,000	23,300
140					23,100	22,400		140					23,500	22,900	22,200
145						21,600		145					22,400	21,800	21,300
150								150						20,900	20,200
155								155							19,400
160								160							

70' Boom								70' Boom							
Load Radius (ft.)	130 ft Jib							Load Radius (ft.)	140 ft Jib						
	Boom Angle (deg.)								Boom Angle (deg.)						
	88	83	80	75	70	65	60		88	83	80	75	70	65	60
46	76,300 *							46							
48	75,600 *							48	64,400 *						
50	75,000 *							50	63,700 *						
55	72,500 *							55	62,200 *						
60	64,100 *							60	60,100 *						
65	57,300 *	67,000 *						65	56,800 *						
70	51,500 *	59,700 *						70	52,000 *	55,500 *					
75	46,900 *	53,600 *	54,800 *					75	47,000 *	52,600 *					
80	42,700 *	48,700 *	50,900 *					80	42,900 *	48,200 *	50,000				
85	39,200 *	44,500 *	47,100 *					85	39,400 *	44,000 *	46,700				
90	36,100 *	40,700 *	43,800 *	42,100				90	36,300 *	40,300 *	43,400				
95	33,500 *	37,500 *	40,700 *	39,600				95	33,700 *	37,200 *	40,300 *	38,800			
100	31,000 *	34,800 *	37,600 *	37,200				100	31,300 *	34,300 *	37,200 *	36,800			
105	29,100 *	32,400 *	34,800 *	35,000	33,500			105	29,100 *	31,900 *	34,400 *	34,600			
110	27,100 *	29,900 *	32,400 *	32,800	31,900			110	27,100 *	29,700 *	31,900 *	32,600	31,000		
115	25,500 *	27,900 *	30,200 *	31,000	30,200			115	25,400 *	27,700 *	29,700 *	30,600	29,700		
120	24,000 *	26,200 *	28,200 *	29,300	28,400	27,300		120	23,800 *	26,000 *	27,700 *	29,100	28,200		
125	22,400 *	24,600 *	26,400 *	27,700	27,100	26,400		125	22,400 *	24,200 *	26,000 *	27,500	26,600		
130	21,100 *	23,100 *	24,900 *	26,400	25,500	25,100		130	21,100 *	22,900 *	24,400 *	26,200	25,300	24,000	
135		21,800 *	23,300 *	25,100	24,400	23,800	22,400	135	20,000 *	21,600 *	22,900 *	24,900 *	24,000	23,500	
140		20,700 *	22,000 *	23,500 *	23,300	22,700	22,000	140	18,900 *	20,200 *	21,600 *	23,300 *	22,900	22,400	21,100
145				22,200 *	22,200	21,600	21,100	145		19,100 *	20,500 *	22,000 *	21,800	21,300	20,700
150					21,100	20,700	20,000	150		18,000 *	19,100 *	20,700 *	20,900	20,200	19,800
155					20,200	19,800	19,100	155				19,600 *	19,800	19,400	18,900
160						18,900	18,200	160					19,100	18,700	18,000
165							17,600	165					18,200	17,800	17,100
170								170						16,900	16,500
175								175							15,800
180								180							



CK2000-II Luffing Jib Rating Loads in Pounds

Refer to notes page 10

11 Counterweights (132,280 lbs.) + 2 Low Weights (22,050 lbs. x 2)

70' Boom								70' Boom							
Load Radius (ft.)	150 ft Jib							Load Radius (ft.)	160 ft Jib						
	Boom Angle (deg.)								Boom Angle (deg.)						
	88	83	80	75	70	65	60		88	83	80	75	70	65	60
55	52,500 *							55	45,400 *						
60	50,000 *							60	43,200 *						
65	47,100 *							65	40,700 *						
70	44,500 *	48,900 *						70	38,300 *						
75	42,300 *	45,400 *						75	36,300 *	39,000 *					
80	40,100 *	42,900 *	45,400 *					80	34,300 *	37,000 *					
85	38,300 *	40,700 *	43,000 *					85	32,800 *	35,000 *	37,000 *				
90	36,100 *	38,800 *	40,800 *					90	31,000 *	33,200 *	35,100 *				
95	33,200 *	36,800 *	38,800 *					95	29,700 *	31,700 *	33,100 *				
100	31,000 *	34,100 *	37,000 *	36,100				100	28,400 *	30,200 *	31,500 *				
105	28,800 *	31,500 *	34,100 *	34,300				105	27,300 *	29,100 *	30,000 *	32,000 *			
110	26,800 *	29,300 *	31,700 *	32,400				110	26,000 *	27,500 *	28,700 *	30,400 *			
115	25,100 *	27,300 *	29,500 *	30,400	29,100			115	24,900 *	26,500 *	27,300 *	28,900 *			
120	23,500 *	25,500 *	27,500 *	28,800	28,200			120	23,800 *	25,300 *	26,200 *	27,800 *			
125	22,200 *	24,000 *	25,700 *	27,300	26,600			125	22,400 *	24,200 *	25,100 *	26,500 *	25,500		
130	20,900 *	22,400 *	24,200 *	25,700	25,300			130	20,900 *	22,700 *	23,800 *	25,400 *	24,900 *		
135	19,600 *	21,100 *	22,700 *	24,400 *	24,000	22,400		135	19,800 *	21,300 *	22,400 *	24,200 *	23,800		
140	18,500 *	20,000 *	21,300 *	23,100 *	22,900	22,200		140	18,700 *	20,000 *	21,100 *	22,700 *	22,700	21,100	
145	17,600 *	18,900 *	20,000 *	21,600 *	21,800	21,100		145	17,600 *	18,900 *	19,800 *	21,300 *	21,600	20,900	
150	16,700 *	17,800 *	18,900 *	20,500 *	20,700	20,000	18,700	150	16,700 *	17,800 *	18,700 *	20,000 *	20,500	19,800	
155		16,900 *	18,000 *	19,400 *	19,800	19,100	18,700	155	15,800 *	16,900 *	17,600 *	18,900 *	19,600	18,900	17,600
160		16,000 *	16,900 *	18,200 *	18,900	18,200	17,800	160	14,900 *	16,000 *	16,700 *	17,800 *	18,700	18,000	17,600
165				17,100 *	18,200	17,600	16,900	165		15,200 *	15,800 *	16,900 *	18,000	17,400	16,700
170					17,400	16,900	16,300	170		14,300 *	14,900 *	16,000 *	17,100	16,500	16,000
175					16,700	16,000	15,600	175				15,200 *	16,500	15,800	15,400
180						15,400	14,900	180					15,800	15,200	14,700
185							14,300	185					14,900	14,500	14,100
190								190						14,100	13,600
195								195							13,000

70' Boom								70' Boom							
Load Radius (ft.)	170 ft Jib							Load Radius (ft.)	170 ft Jib						
	Boom Angle (deg.)								Boom Angle (deg.)						
	88	83	80	75	70	65	60		88	83	80	75	70	65	60
60	38,500 *														
65	36,300 *														
70	34,100 *														
75	32,100 *														
80	30,600 *	32,800 *													
85	28,800 *	31,000 *													
90	27,500 *	29,500 *	31,100 *												
95	26,200 *	28,000 *	29,300 *												
100	24,900 *	26,600 *	27,800 *												
105	24,000 *	25,600 *	26,500 *												
110	22,700 *	24,200 *	25,100 *	24,900 *											
115	21,800 *	23,100 *	24,000 *	23,600 *											
120	20,700 *	22,000 *	22,900 *	22,700 *											
125	20,100 *	21,200 *	21,800 *	21,800 *											
130	19,100 *	20,200 *	20,900 *	20,900 *	21,800 *										
135	18,500 *	19,400 *	20,100 *	20,100 *	20,900 *										
140	17,600 *	18,700 *	19,200 *	19,200 *	20,100 *										
145	17,000 *	17,900 *	18,500 *	18,500 *	19,400 *	20,200									
150	16,300 *	17,100 *	17,900 *	17,900 *	18,500 *	19,400									
155	15,400 *	16,500 *	17,100 *	17,200 *	17,900 *	18,700									
160	14,500 *	15,600 *	16,300 *	16,500 *	17,200 *	17,800									
165	13,800 *	14,700 *	15,400 *	15,900 *	16,500 *	16,900	16,000								
170	13,000 *	14,100 *	14,500 *	15,400 *	16,100 *	16,300	15,600								
175		13,200 *	13,800 *	14,700 *	15,400 *	15,600	14,900								
180			13,000 *	14,100 *	15,000 *	14,900	14,300								
185				13,200 *	14,600 *	14,300	13,800								
190					13,800 *	13,600	13,200								
195						13,200	12,700								
200							12,100								
205							11,600								



CK2000-II Luffing Jib Rating Loads in Pounds

Refer to notes page 10

11 Counterweights (132,280 lbs.) + 2 Low Weights (22,050 lbs. x 2)

80' Boom								80' Boom							
Load Radius (ft.)	70 ft Jib							Load Radius (ft.)	80 ft Jib						
	Boom Angle (deg.)								Boom Angle (deg.)						
	88	83	80	75	70	65	60		88	83	80	75	70	65	60
30	104,400 *							30	104,400 *						
32	104,400 *							32	104,400 *						
34	104,400 *							34	104,400 *						
36	104,400 *							36	104,400 *						
38	104,400 *							38	104,400 *						
40	104,400 *							40	104,400 *						
42	104,400 *							42	104,400 *						
44	103,100 *	104,400 *						44	103,100 *						
46	96,700 *	104,400 *						46	96,500 *	104,400 *					
48	90,800 *	101,100						48	90,800 *	100,700					
50	85,700 *	95,900	94,300					50	85,500 *	95,400					
55	74,500 *	84,400	83,100					55	74,500 *	84,200	82,800				
60	66,100 *	75,600	74,200					60	65,900 *	75,100	74,200				
65	59,000 *	68,100	67,000	65,200				65	59,000 *	67,900	67,000				
70	53,300 *	61,900 *	61,000	59,500				70	53,300 *	61,700	60,800	59,000			
75	48,500 *	55,700 *	55,900	54,600	52,900			75	48,300 *	55,600 *	55,700	54,200			
80		50,400 *	51,500	50,200	49,100			80	44,300 *	50,400 *	51,300	50,000	48,500		
85			47,800	46,700	45,600			85	40,700 *	46,000 *	47,600	46,200	45,100		
90				43,400	42,300	41,000		90		42,300 *	44,300	43,200	42,100		
95				40,500	39,600	38,500		95			41,400	40,300	39,200	37,600	
100					37,000	36,100	34,800	100				37,600	36,800	35,700	
105						33,900	33,000	105					34,600	33,500	32,400
110							31,000	110						31,700	30,800
115							29,300	115						29,900	29,100
120								120							27,500
125								125							26,000

80' Boom								80' Boom							
Load Radius (ft.)	90 ft Jib							Load Radius (ft.)	100 ft Jib						
	Boom Angle (deg.)								Boom Angle (deg.)						
	88	83	80	75	70	65	60		88	83	80	75	70	65	60
36	104,400 *							36	104,400 *						
38	104,400 *							38	104,400 *						
40	104,400 *							40	104,400 *						
42	104,400 *							42	104,400 *						
44	102,900 *							44	102,500 *						
46	96,500 *							46	96,100 *						
48	90,600 *							48	90,300 *						
50	85,500 *	95,200						50	85,300 *						
55	74,300 *	83,900						55	74,100 *	83,700					
60	65,900 *	74,900	73,800					60	65,500 *	74,900					
65	59,000 *	67,600	66,700					65	58,600 *	67,600	66,300				
70	53,300 *	61,500	60,800					70	53,100 *	61,500	60,600				
75	48,300 *	55,600 *	55,500	53,700				75	48,100 *	56,000 *	55,300				
80	44,300 *	50,400 *	51,300	50,000				80	43,900 *	50,700 *	51,100	49,300			
85	40,700 *	46,000 *	47,600	46,200				85	40,300 *	46,300 *	47,300	46,000			
90	37,400 *	42,300 *	44,300	43,200	41,400			90	37,400 *	42,500 *	44,000	42,900			
95	34,800 *	38,800 *	41,200	40,300	39,000			95	34,600 *	39,000 *	41,000	40,100	38,300		
100		35,900 *	38,800	37,600	36,500	35,000		100	32,100 *	36,200 *	38,500	37,400	36,300		
105			36,100 *	35,400	34,300	33,200		105		33,700 *	35,900 *	35,200	34,100	32,600	
110				33,500	32,400	31,500		110		31,300 *	33,300 *	33,200	32,100	31,300	
115					30,600	29,700	28,400	115			30,900 *	31,300	30,400	29,500	
120						28,200	27,500	120				29,700	28,800	27,900	26,600
125						26,600	26,000	125					27,300	26,400	25,700
130							24,600	130						25,100	24,400
135								135						24,000	23,300
140								140							22,200

CK2000-II Luffing Jib Rating Loads in Pounds

Refer to notes page 10

11 Counterweights (132,280 lbs.) + 2 Low Weights (22,050 lbs. x 2)

80' Boom								80' Boom							
Load Radius (ft.)	110 ft Jib							Load Radius (ft.)	120 ft Jib						
	Boom Angle (deg.)								Boom Angle (deg.)						
	88	83	80	75	70	65	60		88	83	80	75	70	65	60
40	104,400 *							40							
42	104,400 *							42							
44	102,200 *							44	88,500 *						
46	95,900 *							46	88,500 *						
48	90,100 *							48	88,500 *						
50	84,800 *							50	84,600 *						
55	73,900 *							55	73,400 *						
60	65,400 *	74,500						60	65,000 *	74,200					
65	58,600 *	67,400						65	58,200 *	67,200					
70	52,600 *	61,200	59,900					70	52,400 *	61,000	59,700				
75	47,800 *	55,900 *	55,100					75	47,600 *	55,600 *	54,800				
80	43,800 *	50,700 *	50,700					80	43,400 *	50,300 *	50,400				
85	40,100 *	46,200 *	46,900	45,100				85	39,900 *	46,000 *	46,700				
90	37,000 *	42,300 *	43,600	42,500				90	36,800 *	42,100 *	43,400	41,800			
95	34,300 *	39,000 *	40,700	39,600				95	34,100 *	38,600 *	40,500	39,400			
100	31,900 *	36,100 *	38,100	37,200	35,400			100	31,700 *	35,900 *	37,900	37,000			
105	29,700 *	33,500 *	35,700 *	35,000	33,700			105	29,500 *	33,200 *	35,400 *	34,600	33,000		
110	27,900 *	31,000 *	33,000 *	32,800	31,900			110	27,500 *	31,000 *	32,800 *	32,600	31,500		
115		29,100 *	30,800 *	31,000	29,900	28,600		115	26,000 *	28,800 *	30,600 *	30,800	29,700		
120		27,300 *	28,800 *	29,300	28,400	27,700		120	24,400 *	27,100 *	28,600 *	29,100	28,200	26,800	
125			27,100 *	27,900	26,800	26,200	24,900	125		25,300 *	26,800 *	27,700	26,600	26,000	
130				26,400	25,500	24,900	24,200	130		23,800 *	25,100 *	26,200	25,300	24,600	
135					24,400	23,800	22,900	135			23,500 *	25,100	24,200	23,500	22,000
140						22,700	21,800	140				23,800	22,900	22,400	21,600
145							21,600	145					22,000	21,300	20,700
150								150						20,500	19,600
155								155						19,400	18,700
160								160							18,000

80' Boom								80' Boom							
Load Radius (ft.)	130 ft Jib							Load Radius (ft.)	140 ft Jib						
	Boom Angle (deg.)								Boom Angle (deg.)						
	88	83	80	75	70	65	60		88	83	80	75	70	65	60
46	76,300 *							46							
48	75,600 *							48							
50	75,000 *							50	63,700 *						
55	73,200 *							55	62,200 *						
60	64,800 *							60	60,400 *						
65	57,900 *	66,500						65	57,100 *						
70	52,200 *	60,800						70	52,600 *	56,200 *					
75	47,300 *	55,300 *	54,200					75	47,600 *	53,300 *					
80	43,200 *	50,000 *	50,400					80	43,400 *	49,600 *	49,600				
85	39,600 *	45,600 *	46,700					85	39,900 *	45,100 *	46,200				
90	36,500 *	41,800 *	43,400					90	36,800 *	41,400 *	43,200				
95	33,900 *	38,400 *	40,500	38,800				95	33,900 *	37,900 *	40,100				
100	31,500 *	35,400 *	37,900	36,500				100	31,500 *	35,100 *	37,600	35,700			
105	29,300 *	33,000 *	35,700	34,300				105	29,300 *	32,600 *	35,200	34,100			
110	27,300 *	30,600 *	33,200 *	32,400	30,800			110	27,300 *	30,400 *	33,000 *	32,100			
115	25,500 *	28,600 *	31,000 *	30,600	29,500			115	25,500 *	28,200 *	30,600 *	30,200	28,600		
120	24,000 *	26,800 *	29,100 *	28,800	27,900			120	24,000 *	26,400 *	28,600 *	28,600	27,700		
125	22,700 *	25,100 *	27,100 *	27,500	26,400	25,100		125	22,700 *	24,600 *	26,800 *	27,100	26,400		
130	21,300 *	23,500 *	25,500 *	26,000	25,100	24,400		130	21,300 *	23,300 *	25,100 *	25,700	25,100	23,300	
135		22,200 *	24,000 *	24,600	23,800	23,300		135	20,000 *	21,800 *	23,500 *	24,400	23,800	22,900	
140		20,900 *	22,400 *	23,500	22,700	22,200	20,700	140	18,900 *	20,700 *	22,200 *	23,300	22,700	21,800	
145			21,100 *	22,400	21,800	21,100	20,500	145		19,400 *	20,900 *	22,200	21,600	20,700	19,400
150				21,600	20,700	20,200	19,400	150		18,500 *	19,600 *	21,100	20,500	19,800	19,100
155					19,800	19,100	18,500	155			18,700 *	20,200 *	19,600	18,900	18,200
160						18,500	17,800	160				19,100 *	18,700	18,000	17,400
165							17,600	165					18,000	17,400	16,700
170								170						16,500	15,800
175								175						15,800	15,200
180								180							14,700

CK2000-II Luffing Jib Rating Loads in Pounds

Refer to notes page 10

11 Counterweights (132,280 lbs.) + 2 Low Weights (22,050 lbs. x 2)

80° Boom								80° Boom							
Load Radius (ft.)	150 ft Jib							Load Radius (ft.)	160 ft Jib						
	Boom Angle (deg.)								Boom Angle (deg.)						
	88	83	80	75	70	65	60		88	83	80	75	70	65	60
55	52,500 *							55	45,400 *						
60	50,000 *							60	43,400 *						
65	47,400 *							65	40,700 *						
70	44,700 *							70	38,500 *						
75	42,300 *	45,800 *						75	36,300 *	40,100 *					
80	40,300 *	43,400 *						80	34,600 *	37,400 *					
85	38,300 *	41,200 *	43,900 *					85	32,800 *	35,500 *					
90	36,300 *	39,200 *	41,400 *					90	31,300 *	33,700 *	35,700 *				
95	33,700 *	37,400 *	39,500 *					95	29,700 *	31,900 *	33,700 *				
100	31,300 *	35,700 *	37,400 *					100	28,400 *	30,400 *	32,000 *				
105	29,100 *	33,000 *	35,000	33,200				105	27,300 *	29,300 *	30,600 *				
110	27,100 *	30,800 *	32,800 *	31,700				110	26,000 *	27,700 *	29,100 *	31,000 *			
115	25,300 *	28,600 *	30,400 *	29,900				115	25,100 *	26,700 *	27,800 *	29,500 *			
120	23,800 *	26,600 *	28,400 *	28,400	26,600			120	24,000 *	25,500 *	26,700 *	27,900 *			
125	22,200 *	25,100 *	26,400 *	26,800	26,200			125	22,400 *	24,500 *	25,400 *	26,600	24,900		
130	20,900 *	23,500 *	24,900 *	25,500	24,600			130	21,100 *	23,100 *	24,400 *	25,100	24,400		
135	19,800 *	22,000 *	23,300 *	24,200	23,500			135	20,000 *	21,800 *	22,900 *	24,000	23,300		
140	18,700 *	20,700 *	21,800 *	23,100	22,400	20,700		140	18,700 *	20,500 *	21,600 *	22,700	22,000		
145	17,600 *	19,600 *	20,700 *	22,000	21,300	20,500		145	17,800 *	19,400 *	20,200 *	21,600	21,100	19,400	
150	16,700 *	18,500 *	19,400 *	20,900	20,200	19,600		150	16,700 *	18,200 *	19,100 *	20,700	20,000	19,400	
155		17,600 *	18,200 *	20,000 *	19,400	18,700	17,100	155	15,800 *	17,100 *	18,000 *	19,600 *	19,100	18,500	
160		16,500 *	17,400 *	18,700 *	18,500	17,800	17,100	160	14,900 *	16,300 *	17,100 *	18,500 *	18,200	17,600	16,000
165			16,500 *	17,800 *	17,800	17,100	16,300	165		15,400 *	16,000 *	17,400 *	17,600	16,700	16,000
170				16,700 *	16,900	16,300	15,600	170		14,500 *	15,200 *	16,500 *	16,700	16,000	15,400
175					16,300	15,600	14,900	175			14,500 *	15,600 *	16,000	15,400	14,700
180						14,900	14,300	180				14,700 *	15,400	14,700	14,100
185						14,300	13,800	185					14,700	14,100	13,600
190							13,200	190						13,600	13,000
195								195						13,000	12,500
200								200							12,100

80° Boom							
Load Radius (ft.)	170 ft Jib						
	Boom Angle (deg.)						
	88	83	80	75	70	65	60
60	38,600 *						
65	36,300 *						
70	34,300 *						
75	32,400 *						
80	30,600 *	33,200 *					
85	29,100 *	31,500 *					
90	27,500 *	29,700 *	31,500 *				
95	26,200 *	28,200 *	29,800 *				
100	24,900 *	26,900 *	28,200 *				
105	24,000 *	25,800 *	26,900 *				
110	22,700 *	24,400 *	25,600 *				
115	21,800 *	23,400 *	24,300 *	24,300 *			
120	20,700 *	22,200 *	23,100 *	23,100 *			
125	20,100 *	21,400 *	22,300 *	22,300 *			
130	19,100 *	20,500 *	21,400 *	21,400 *	22,500 *		
135	18,500 *	19,600 *	20,300 *	20,500 *	21,600 *		
140	17,600 *	18,700 *	19,400 *	19,600 *	20,700 *		
145	17,000 *	18,100 *	18,700 *	18,700 *	19,800 *		
150	16,300 *	17,400 *	18,100 *	18,100 *	19,200 *	18,700	
155	15,400 *	16,700 *	17,400 *	17,400 *	18,300 *	18,000	
160	14,700 *	15,800 *	16,500 *	16,800 *	17,600 *	17,100	
165	13,800 *	14,900 *	15,800 *	16,100 *	17,000 *	16,500	
170	13,200 *	13,400 *	14,900 *	15,700 *	16,300 *	15,800	14,700
175		10,800 *	13,800 *	15,000 *	15,800 *	14,900	14,300
180		9,000 *	11,600 *	14,500 *	15,200 *	14,500	13,800
185			9,400 *	13,600 *	14,500 *	13,800	13,200
190				12,100 *	13,800 *	13,200	12,700
195					13,400	12,700	12,100
200						12,100	11,600
205						11,600	11,200
210							10,800

CK2000-II Luffing Jib Rating Loads in Pounds

Refer to notes page 10

11 Counterweights (132,280 lbs.) + 2 Low Weights (22,050 lbs. x 2)

90' Boom								90' Boom							
Load Radius (ft.)	70 ft Jib							Load Radius (ft.)	80 ft Jib						
	Boom Angle (deg.)								Boom Angle (deg.)						
	88	83	80	75	70	65	60		88	83	80	75	70	65	60
30	104,400 *							30							
32	104,400 *							32							
34	104,400 *							34	104,400 *						
36	104,400 *							36	104,400 *						
38	104,400 *							38	104,400 *						
40	104,400 *							40	104,400 *						
42	104,400 *							42	104,400 *						
44	104,400 *	104,400 *						44	104,400 *						
46	98,100 *	104,400 *						46	97,800 *						
48	92,100 *	100,700 *						48	91,900 *	100,300					
50	86,800 *	95,400						50	86,600 *	95,000					
55	75,400 *	84,200	82,600					55	75,200 *	83,700					
60	66,700 *	75,100	74,000					60	66,600 *	74,900	73,400				
65	59,700 *	67,900	66,700	64,500				65	59,700 *	67,400	66,500				
70	53,700 *	61,700	60,800	58,800				70	53,700 *	61,500	60,400	58,400			
75	48,700 *	56,600	55,700	54,000				75	48,700 *	56,200	55,300	53,700			
80		51,800 *	51,300	49,800	48,000			80	44,500 *	51,800 *	51,100	49,600			
85		47,100 *	47,600	46,000	44,700			85	41,000 *	47,100 *	47,300	46,000	44,000		
90			44,300	42,900	41,600			90		43,200 *	44,000	42,700	41,400		
95				40,100	39,000	37,600		95		39,600 *	41,000	39,900	38,500		
100					36,500	35,400		100			38,500	37,400	36,100	34,600	
105						34,300		105				35,200	33,900	32,800	
110							31,300	30,400					31,900	31,000	29,500
115								28,600					30,200	29,300	28,200
120								27,100						27,700	26,600
125															25,300
130															24,000

90' Boom								90' Boom							
Load Radius (ft.)	90 ft Jib							Load Radius (ft.)	100 ft Jib						
	Boom Angle (deg.)								Boom Angle (deg.)						
	88	83	80	75	70	65	60		88	83	80	75	70	65	60
36	104,400 *							36							
38	104,400 *							38	104,400 *						
40	104,400 *							40	104,400 *						
42	104,400 *							42	104,400 *						
44	104,400 *							44	104,100 *						
46	97,800 *							46	97,400 *						
48	91,900 *							48	91,700 *						
50	86,600 *							50	86,400 *						
55	75,200 *	83,500						55	74,700 *	83,300					
60	66,600 *	74,900	73,100					60	66,400 *	74,700					
65	59,500 *	67,600	66,300					65	59,300 *	67,400	65,600				
70	53,700 *	61,500	60,100					70	53,500 *	61,200	59,900				
75	48,700 *	56,400	55,300	53,100				75	48,300 *	56,200	54,800				
80	44,500 *	52,000	50,900	49,300				80	44,300 *	51,800	50,700	48,700			
85	41,000 *	47,800 *	47,100	45,800				85	40,700 *	47,600 *	46,900	45,600			
90	37,600 *	43,600 *	43,800	42,500	40,700			90	37,600 *	43,600 *	43,600	42,300			
95	35,000 *	40,100 *	41,000	39,600	38,300			95	34,600 *	39,900 *	40,700	39,400	37,600		
100		37,000 *	38,300	37,200	35,900			100	32,400 *	36,800 *	38,100	37,000	35,700		
105			36,100	35,000	33,700	32,100		105		34,300 *	35,900	34,800	33,500		
110				33,000	31,900	30,800		110		31,900 *	33,700	32,800	31,700	29,900	
115				31,000	30,200	29,100		115			31,700 *	31,000	29,900	28,800	
120					28,400	27,500	26,200	120				29,300	28,200	27,300	
125					27,100	26,000	25,300	125				27,700	26,800	25,700	24,400
130						24,600	24,000	130					25,500	24,400	23,800
135							22,900	135						23,300	22,700
140								140							21,600
145								145							20,500
150								150							

CK2000-II Luffing Jib Rating Loads in Pounds

Refer to notes page 10

11 Counterweights (132,280 lbs.) + 2 Low Weights (22,050 lbs. x 2)

90' Boom								90' Boom							
Load Radius (ft.)	110 ft Jib							Load Radius (ft.)	120 ft Jib						
	Boom Angle (deg.)								Boom Angle (deg.)						
	88	83	80	75	70	65	60		88	83	80	75	70	65	60
40								40							
42	104,400 *							42							
44	103,800 *							44	88,500 *						
46	97,200 *							46	88,500 *						
48	91,200 *							48	88,500 *						
50	85,900 *							50	85,700 *						
55	74,700 *							55	74,300 *						
60	66,100 *	74,000						60	65,900 *						
65	59,000 *	67,000						65	58,800 *	66,500					
70	53,300 *	60,800	59,500					70	52,900 *	60,600					
75	48,200 *	55,700	54,600					75	47,800 *	55,500	54,000				
80	44,000 *	51,300	50,200					80	43,800 *	51,100	50,200				
85	40,500 *	47,300 *	46,500	44,700				85	40,300 *	47,100 *	46,500				
90	37,400 *	43,400 *	43,200	41,800				90	37,000 *	43,200 *	43,200	41,200			
95	34,600 *	39,900 *	40,300	39,200				95	34,300 *	39,500 *	40,300	39,000			
100	32,100 *	36,800 *	37,900	36,800	34,800			100	31,900 *	36,500 *	37,900	36,300			
105	29,900 *	34,100 *	35,400	34,300	33,200			105	29,700 *	33,900 *	35,400	34,100			
110	27,900	31,700 *	33,500	32,400	31,300			110	27,700 *	31,500 *	33,500	32,100	30,400		
115		29,500 *	31,700 *	30,600	29,500	27,900		115	26,000 *	29,300 *	31,700	30,400	29,300		
120		27,700 *	29,500 *	29,100	27,900	27,100		120	24,400 *	27,500 *	29,900 *	28,800	27,700		
125			27,500 *	27,500	26,400	25,500		125		25,700 *	27,900 *	27,300	26,200	24,600	
130				26,200	25,100	24,400	22,900	130		24,200 *	26,200 *	26,000	24,900	24,200	
135				24,900	23,800	23,100	22,200	135			24,600 *	24,600	23,500	22,900	
140					22,700	22,000	21,100	140				23,500	22,400	21,800	20,200
145						21,100	20,200	145				22,400	21,600	20,900	20,000
150							19,400	150					20,500	19,800	19,100
155							18,500	155						18,900	18,200
160								160							17,400
165								165							16,700
170								170							16,700

90' Boom								90' Boom							
Load Radius (ft.)	130 ft Jib							Load Radius (ft.)	140 ft Jib						
	Boom Angle (deg.)								Boom Angle (deg.)						
	88	83	80	75	70	65	60		88	83	80	75	70	65	60
46	76,300 *							46							
48	75,600 *							48							
50	75,000 *							50	63,700 *						
55	73,400 *							55	62,200 *						
60	65,600 *							60	60,600 *						
65	58,600 *	66,300						65	57,100 *						
70	52,600 *	60,400						70	53,100 *	57,100					
75	47,800 *	55,300						75	48,100 *	54,000					
80	43,600 *	50,900	49,600					80	43,800 *	50,400	49,100				
85	39,900 *	46,700 *	46,200					85	40,300 *	46,500 *	46,000				
90	36,800 *	42,700 *	42,900					90	37,000 *	42,500 *	42,700				
95	34,100 *	39,200 *	40,100	38,100				95	34,100 *	38,800 *	39,900				
100	31,700 *	36,300 *	37,600	36,100				100	31,700 *	35,900 *	37,200	35,200			
105	29,500 *	33,700 *	35,200	33,900				105	29,500 *	33,200 *	35,000	33,500			
110	27,500 *	31,300 *	33,200	31,900				110	27,500 *	30,800 *	32,800	31,500			
115	25,700 *	29,100 *	31,300	30,200	28,400			115	25,700 *	28,700 *	31,000	29,700			
120	24,200 *	27,300 *	29,700 *	28,400	27,500			120	24,200 *	26,800 *	29,300 *	28,200	26,400		
125	22,700 *	25,500 *	27,700 *	27,100	26,200			125	22,700 *	25,100 *	27,500 *	26,600	25,700		
130	21,300 *	24,000 *	26,000 *	25,500	24,900	23,100		130	21,300 *	23,500 *	25,700 *	25,300	24,400		
135		22,700 *	24,400 *	24,400	23,500	22,700		135	20,200 *	22,200 *	24,200 *	24,000	23,300	21,600	
140		21,300 *	22,900 *	23,300	22,400	21,600		140	18,900 *	20,900 *	22,700 *	22,900	22,200	21,100	
145			21,600 *	22,200	21,300	20,500	18,900	145		19,800 *	21,300 *	21,800	21,100	20,200	
150				21,100	20,500	19,600	18,700	150		18,700 *	20,000 *	20,900	20,000	19,400	17,600
155				20,200	19,600	18,700	18,000	155			18,900 *	19,800	19,100	18,500	17,600
160					18,700	17,800	17,100	160				18,900	18,500	17,600	16,700
165						17,100	16,500	165				18,200	17,600	16,700	16,000
170							15,800	170					16,900	16,000	15,400
175							15,200	175						15,400	14,700
180								180							14,100
185								185							13,600
190								190							



CK2000-II Luffing Jib Rating Loads in Pounds

Refer to notes page 10

11 Counterweights (132,280 lbs.) + 2 Low Weights (22,050 lbs. x 2)

90' Boom								90' Boom							
Load Radius (ft.)	150 ft Jib							Load Radius (ft.)	160 ft Jib						
	Boom Angle (deg.)								Boom Angle (deg.)						
	88	83	80	75	70	65	60		88	83	80	75	70	65	60
55	52,700 *							55	45,600 *						
60	50,200 *							60	43,400 *						
65	47,400 *							65	41,000 *						
70	44,900 *							70	38,500 *						
75	42,500 *	46,500 *						75	36,600 *	40,800 *					
80	40,300 *	44,000 *						80	34,600 *	37,900 *					
85	38,500 *	41,800 *	44,500 *					85	32,800 *	35,900 *					
90	36,600 *	39,600 *	42,300 *					90	31,300 *	33,900 *	36,400 *				
95	33,900 *	37,900 *	39,600					95	29,700 *	32,400 *	34,400 *				
100	31,500 *	36,100 *	37,000					100	28,400 *	30,800 *	32,600 *				
105	29,300 *	33,700 *	34,800	32,800				105	27,600 *	29,500 *	31,100 *				
110	27,300 *	31,300 *	32,600	31,300				110	26,000 *	28,000 *	29,500 *	30,400			
115	25,500 *	29,300 *	30,800	29,500				115	25,100 *	26,900 *	28,200 *	29,300			
120	24,000 *	27,300 *	29,100 *	27,900				120	24,000 *	25,700 *	26,900 *	27,500			
125	22,400 *	25,500 *	27,300 *	26,400	24,600			125	22,700 *	24,700 *	25,800 *	26,200			
130	21,100 *	24,000 *	25,500 *	25,100	24,200			130	21,300 *	23,500 *	24,700 *	24,900	23,100		
135	19,800 *	22,400 *	23,800 *	23,800	23,100			135	20,000 *	22,200 *	23,500 *	23,500	22,700		
140	18,700 *	21,100 *	22,400 *	22,700	22,000	20,000		140	18,900 *	20,900 *	22,200 *	22,400	21,600		
145	17,600 *	19,800 *	21,100 *	21,600	20,900	20,000		145	17,800 *	19,600 *	20,900 *	21,300	20,700		
150	16,700 *	18,700 *	19,800 *	20,500	19,800	18,900		150	16,900 *	18,500 *	19,600 *	20,200	19,600	17,800	
155		17,800 *	18,700 *	19,600	18,900	18,000		155	15,600 *	17,400 *	18,500 *	19,400	18,700	17,800	
160		16,700 *	17,800 *	18,700	18,200	17,400	15,800	160	13,800 *	16,500 *	17,400 *	18,500	17,800	17,100	
165			16,700 *	18,000	17,400	16,500	15,800	165		15,600 *	16,500 *	17,800	17,100	16,300	14,700
170				17,100	16,700	15,800	15,200	170		14,300 *	15,600 *	16,900	16,300	15,600	14,700
175				16,300 *	15,800	15,200	14,500	175			14,700 *	16,000 *	15,600	14,900	14,300
180					15,200	14,500	13,800	180				15,200 *	14,900	14,300	13,600
185						14,100	13,200	185				14,500 *	14,500	13,600	13,000
190							12,700	190					13,800	13,200	12,500
195							12,300	195						12,500	12,100
200								200							11,400
205								205							11,000

90' Boom								90' Boom							
Load Radius (ft.)	170 ft Jib							Load Radius (ft.)	170 ft Jib						
	Boom Angle (deg.)								Boom Angle (deg.)						
	88	83	80	75	70	65	60		88	83	80	75	70	65	60
60	38,600 *														
65	36,600 *														
70	34,300 *														
75	32,400 *														
80	30,600 *	34,200 *													
85	29,100 *	31,700 *													
90	27,500 *	30,200 *													
95	26,200 *	28,600 *	28,000 *												
100	25,100 *	27,100 *	26,700 *												
105	24,000 *	26,000 *	25,400 *												
110	22,700 *	24,600 *	24,300 *												
115	21,800 *	23,600 *	23,100 *	24,900 *											
120	20,900 *	22,400 *	22,000 *	23,800 *											
125	20,100 *	21,600 *	21,200 *	22,700 *											
130	19,100 *	20,500 *	20,300 *	21,800 *											
135	18,500 *	19,800 *	19,600 *	20,900 *	22,000 *										
140	17,600 *	18,900 *	18,700 *	20,100 *	21,200 *										
145	17,000 *	18,300 *	18,100 *	19,200 *	20,200 *										
150	16,300 *	17,400 *	17,400 *	18,500 *	19,400										
155	15,600 *	16,800 *	16,800 *	17,900 *	18,500	17,100									
160	11,200 *	16,000 *	16,100 *	17,000 *	17,600	16,700									
165	9,700 *	14,700 *	15,400 *	16,500 *	16,700	16,000									
170	8,100 *	12,500 *	15,000 *	15,900 *	16,000	15,200									
175		10,300 *	13,800 *	15,400 *	15,400	14,500	13,600								
180		8,500 *	11,400 *	14,800 *	14,700	13,800	13,200								
185			9,200 *	14,300 *	14,100	13,400	12,700								
190				13,000 *	13,600	12,700	12,100								
195					13,000	12,300	11,600								
200						11,900	11,000								
205							11,400								
210							10,100								
215							9,700								



CK2000-II Luffing Jib Rating Loads in Pounds

Refer to notes page 10

11 Counterweights (132,280 lbs.) + 2 Low Weights (22,050 lbs. x 2)

100' Boom								100' Boom							
Load Radius (ft.)	70 ft Jib							Load Radius (ft.)	80 ft Jib						
	Boom Angle (deg.)								Boom Angle (deg.)						
	88	83	80	75	70	65	60		88	83	80	75	70	65	60
30								30							
32	104,400 *							32							
34	104,400 *							34	104,400 *						
36	104,400 *							36	104,400 *						
38	104,400 *							38	104,400 *						
40	104,400 *							40	104,400 *						
42	104,400 *							42	104,400 *						
44	104,400 *							44	104,400 *						
46	99,400 *	104,400 *						46	99,200 *						
48	93,200 *	100,300						48	93,200 *						
50	87,700 *	94,700						50	87,700 *	94,500					
55	76,100 *	83,700	82,000					55	76,100 *	83,300					
60	67,400 *	74,700	73,400					60	67,200 *	74,500	72,900				
65	60,100 *	67,400	66,300					65	60,100 *	67,200	65,900				
70	54,200 *	61,500	60,400	57,900				70	54,200 *	61,000	59,900				
75	49,100 *	56,200	55,300	53,500				75	49,100 *	55,900	54,800	52,600			
80		51,800	50,900	49,300				80	44,900 *	51,500	50,700	48,900			
85		48,000	47,100	45,600	43,600			85	41,200 *	47,800	46,900	45,400			
90			43,800	42,500	41,000			90		44,000 *	43,600	42,300	40,100		
95				39,600	38,300	36,500		95		40,300 *	40,700	39,400	37,900		
100				37,200	35,900	34,600		100			38,100	37,000	35,400		
105					33,700	32,600		105				34,800	33,500	31,700	
110						30,600	29,100	110					31,500	30,200	
115						28,800	27,900	115					29,700	28,600	
120							26,400	120						27,100	
125							25,100	125						25,500	
130								130						23,500	
135								135						22,400	
140								140							

100' Boom								100' Boom							
Load Radius (ft.)	90 ft Jib							Load Radius (ft.)	100 ft Jib						
	Boom Angle (deg.)								Boom Angle (deg.)						
	88	83	80	75	70	65	60		88	83	80	75	70	65	60
36	104,400 *							36							
38	104,400 *							38	104,400 *						
40	104,400 *							40	104,400 *						
42	104,400 *							42	104,400 *						
44	104,400 *							44	104,400 *						
46	99,200 *							46	98,800 *						
48	93,000 *							48	92,800 *						
50	87,700 *							50	87,500 *						
55	76,100 *	83,100						55	75,600 *						
60	67,200 *	74,500						60	67,000 *	74,000					
65	60,100 *	67,200	65,400					65	59,900 *	67,000					
70	54,200 *	61,000	59,700					70	54,000 *	60,800	59,300				
75	48,900 *	55,900	54,600					75	48,700 *	55,700	54,400				
80	44,800 *	51,500	50,400	48,200				80	44,500 *	51,300	50,200				
85	41,200 *	47,800	46,700	45,100				85	41,000 *	47,600	46,500	44,500			
90	37,900 *	44,500	43,400	42,100				90	37,900 *	44,300	43,200	41,800			
95	35,100 *	41,000 *	40,500	39,200	37,200			95	34,800 *	40,800 *	40,300	39,000			
100		37,900 *	38,100	36,800	35,200			100	32,400 *	37,700 *	37,900	36,500	34,600		
105			35,700	34,600	33,200			105		34,800 *	35,400	34,300	32,800		
110				32,600	31,300	29,500		110		32,400 *	33,500	32,400	31,000		
115				30,800	29,500	28,400		115			31,700	30,600	29,300	27,500	
120					27,900	26,800		120				28,800	27,700	26,800	
125					26,400	25,300	24,000	125				27,300	26,200	25,300	
130						24,200	23,300	130					24,900	24,000	
135						22,900	22,200	135					23,800	22,900	
140							21,100	140						22,000	
145								145						20,900	
150								150						18,900	



CK2000-II Luffing Jib Rating Loads in Pounds

Refer to notes page 10

11 Counterweights (132,280 lbs.) + 2 Low Weights (22,050 lbs. x 2)

100' Boom								100' Boom							
Load Radius (ft.)	110 ft Jib							Load Radius (ft.)	120 ft Jib						
	Boom Angle (deg.)								Boom Angle (deg.)						
	88	83	80	75	70	65	60		88	83	80	75	70	65	60
40								40							
42	104,400 *							42							
44	104,400 *							44	88,500 *						
46	98,500 *							46	87,500 *						
48	92,500 *							48	86,000 *						
50	87,000 *							50	84,200 *						
55	75,600 *							55	75,200 *						
60	66,700 *	73,600						60	66,500 *						
65	59,700 *	66,500						65	59,500 *	66,100					
70	53,700 *	60,600	58,800					70	53,500 *	60,400					
75	48,700 *	55,500	54,400					75	48,300 *	55,300	53,500				
80	44,500 *	51,100	50,000					80	44,100 *	50,900	49,800				
85	40,700 *	47,300	46,500					85	40,500 *	47,100	46,200				
90	37,600 *	44,000	43,200	41,000				90	37,400 *	43,600	42,900				
95	34,800 *	40,700 *	40,300	38,500				95	34,600 *	40,300 *	40,100	37,900			
100	32,400 *	37,400 *	37,600	36,100				100	32,100 *	37,300 *	37,400	35,900			
105	30,200 *	34,800 *	35,400	33,900	31,900			105	29,900 *	34,600 *	35,200	33,700			
110	28,200 *	32,400 *	33,500	31,900	30,600			110	27,900 *	32,100 *	33,200	31,700	29,700		
115		30,200 *	31,500	30,200	28,800			115	26,200 *	29,900 *	31,300	29,900	28,600		
120		28,200 *	29,700	28,600	27,300	25,700		120	24,400 *	27,900 *	29,700	28,400	27,100		
125			28,200	27,100	26,000	25,100		125		26,200 *	28,200	26,800	25,500		
130				25,700	24,600	23,800		130		24,600 *	26,600	25,500	24,400	22,700	
135				24,400	23,300	22,400	20,900	135			25,100 *	24,200	23,100	22,200	
140					22,200	21,600	20,500	140				23,100	22,000	21,100	
145					21,100	20,500	19,600	145				22,000	20,900	20,200	18,700
150						19,600	18,700	150					20,000	19,400	18,500
155						18,700	17,800	155					19,100	18,500	17,600
160							16,900	160						17,600	16,700
165								165						16,900	16,000
170								170							15,400

100' Boom								100' Boom							
Load Radius (ft.)	130 ft Jib							Load Radius (ft.)	140 ft Jib						
	Boom Angle (deg.)								Boom Angle (deg.)						
	88	83	80	75	70	65	60		88	83	80	75	70	65	60
48	75,600 *							48							
50	75,000 *							50	63,900 *						
55	73,400 *							55	62,400 *						
60	66,300 *							60	60,800 *						
65	59,000 *							65	57,300 *						
70	53,100 *	59,700						70	53,500 *	59,500					
75	48,200 *	54,800						75	48,500 *	54,600					
80	43,800 *	50,700	49,100					80	44,300 *	50,200					
85	40,300 *	46,700	45,800					85	40,500 *	46,500	44,900				
90	37,000 *	43,400	42,700					90	37,200 *	43,200	42,300				
95	34,300 *	40,100 *	39,900					95	34,400 *	39,700 *	39,400				
100	31,700 *	37,000 *	37,200	35,000				100	31,900 *	36,600 *	37,000				
105	29,500 *	34,300 *	35,000	33,500				105	29,700 *	33,900 *	34,600	32,400			
110	27,500 *	31,900 *	32,800	31,500				110	27,700 *	31,500 *	32,600	31,000			
115	25,700 *	29,700 *	31,000	29,700	27,700			115	26,000 *	29,300 *	30,800	29,300			
120	24,200 *	27,700 *	29,300	28,200	27,100			120	24,200 *	27,300 *	29,100	27,700	25,700		
125	22,700 *	26,000 *	27,900	26,600	25,500			125	22,900 *	25,500 *	27,500	26,200	25,300		
130	21,300 *	24,400 *	26,400	25,300	24,400			130	21,300 *	24,000 *	26,200	24,900	24,000		
135		22,900 *	25,100 *	24,000	23,100	21,300		135	20,200 *	22,400 *	24,600 *	23,500	22,700		
140		21,600 *	23,500 *	22,900	22,000	20,900		140	19,100 *	21,100 *	23,100 *	22,400	21,600	19,800	
145			22,000 *	21,800	20,900	20,000		145		20,000 *	21,800 *	21,300	20,700	19,600	
150				20,900	20,000	19,100	17,400	150		18,900 *	20,500 *	20,500	19,600	18,700	
155				19,800	19,100	18,200	17,400	155			19,400 *	19,600	18,700	17,800	16,000
160					18,200	17,400	16,500	160				18,700	18,000	16,900	16,000
165					17,600	16,700	15,800	165				17,800	17,100	16,300	15,400
170						15,800	15,200	170					16,500	15,600	14,700
175						15,200	14,500	175					15,800	14,900	14,100
180							13,800	180						14,300	13,600
185								185						13,600	13,000
190								190							12,500

CK2000-II Luffing Jib Rating Loads in Pounds

Refer to notes page 10

11 Counterweights (132,280 lbs.) + 2 Low Weights (22,050 lbs. x 2)

100' Boom								100' Boom							
Load Radius (ft.)	150 ft Jib							Load Radius (ft.)	160 ft Jib						
	Boom Angle (deg.)								Boom Angle (deg.)						
	88	83	80	75	70	65	60		88	83	80	75	70	65	60
55	52,700 *							55	45,600 *						
60	50,400 *							60	43,600 *						
65	47,600 *							65	41,000 *						
70	44,900 *							70	38,800 *						
75	42,700 *	47,100 *						75	36,600 *						
80	40,500 *	44,500 *						80	34,800 *	38,300 *					
85	38,500 *	42,300 *						85	33,000 *	36,300 *					
90	36,800 *	40,100 *	41,400					90	31,300 *	34,300 *	37,000 *				
95	34,100 *	38,300 *	39,200					95	29,900 *	32,600 *	34,800 *				
100	31,700 *	36,600 *	36,500					100	28,400 *	31,000 *	33,100 *				
105	29,500 *	34,600 *	34,300					105	27,600 *	30,000 *	31,500 *				
110	27,500 *	31,900 *	32,400	30,200				110	26,000 *	28,400 *	30,000 *				
115	25,700 *	29,700 *	30,400	29,100				115	25,100 *	27,300 *	28,700 *	28,200			
120	24,000 *	27,700 *	28,800	27,500				120	24,000 *	26,000 *	27,300 *	27,500 *			
125	22,400 *	26,000 *	27,300	26,000				125	22,900 *	24,900 *	26,200 *	26,000			
130	21,100 *	24,400 *	26,000	24,600	22,900			130	21,300 *	23,800 *	25,100 *	24,600			
135	20,000 *	22,900 *	24,400 *	23,300	22,400			135	20,200 *	22,400 *	24,000 *	23,300	21,300		
140	18,700 *	21,600 *	22,900 *	22,200	21,300			140	18,900 *	21,100 *	22,700 *	22,200	21,100		
145	17,800 *	20,200 *	21,600 *	21,000	20,500	18,500		145	17,800 *	20,000 *	21,300 *	21,100	20,000		
150	16,700 *	19,100 *	20,200 *	20,200	19,400	18,500		150	16,900 *	18,700 *	20,000 *	20,200	19,100		
155		18,000 *	19,100 *	19,400	18,500	17,600		155	15,200 *	17,800 *	18,900 *	19,400	18,200	16,500	
160		16,900 *	18,000 *	18,500	17,800	16,700		160	13,400 *	16,700 *	17,800 *	18,500	17,400	16,500	
165			17,100 *	17,600	16,900	16,000	14,300	165		15,800 *	16,700 *	17,600	16,700	15,800	
170				16,900	16,300	15,400	14,300	170		14,100 *	15,800 *	16,900	16,000	15,200	13,400
175				16,300	15,600	14,700	13,800	175			14,900 *	16,300	15,400	14,500	13,400
180					14,900	14,100	13,200	180				15,600	14,700	13,800	13,000
185					14,300	13,400	12,700	185				14,900	14,100	13,200	12,500
190						13,000	12,300	190					13,400	12,700	11,900
195							11,600	195					13,000	12,100	11,400
200							11,200	200						11,600	11,000
205								205							10,300
210								210							9,900

100' Boom							
Load Radius (ft.)	170 ft Jib						
	Boom Angle (deg.)						
	88	83	80	75	70	65	60
60	38,800 *						
65	36,600 *						
70	34,300 *						
75	32,600 *						
80	30,800 *	34,600 *					
85	29,100 *	32,100 *					
90	27,700 *	30,400 *					
95	26,200 *	28,800 *	30,900 *				
100	25,100 *	27,500 *	29,300 *				
105	24,000 *	26,500 *	27,800 *				
110	22,900 *	24,900 *	26,500 *				
115	22,000 *	23,800 *	25,100 *				
120	20,900 *	22,700 *	24,000 *	24,300 *			
125	20,100 *	21,800 *	22,900 *	23,100 *			
130	19,100 *	20,700 *	21,800 *	22,300 *			
135	18,500 *	20,100 *	20,900 *	21,400 *			
140	17,600 *	19,100 *	20,100 *	20,300 *	20,500		
145	16,900 *	18,300 *	19,200 *	19,600 *	19,800		
150	14,700 *	17,600 *	18,500 *	18,700 *	18,700		
155	12,500 *	17,000 *	17,600 *	18,100 *	18,000		
160	10,800 *	16,300 *	17,000 *	17,400 *	17,100	15,800	
165	9,000 *	14,500 *	16,300 *	16,800 *	16,300	15,400	
170	7,700 *	12,300 *	15,600 *	16,100 *	15,600	14,700	
175		10,100 *	13,800 *	15,700 *	14,900	14,100	
180		8,100 *	11,400 *	15,000 *	14,300	13,400	12,300
185			9,000 *	14,500 *	13,600	13,000	12,100
190				13,400 *	13,200	12,300	11,400
195				10,300 *	12,500	11,900	11,000
200					12,100	11,400	10,500
205					11,400	10,800	9,900
210						10,300	9,400
215							9,000
220							8,800

CK2000-II Luffing Jib Rating Loads in Pounds

Refer to notes page 10

11 Counterweights (132,280 lbs.) + 2 Low Weights (22,050 lbs. x 2)

110' Boom								110' Boom							
Load Radius (ft.)	70 ft Jib							Load Radius (ft.)	80 ft Jib						
	Boom Angle (deg.)								Boom Angle (deg.)						
	88	83	80	75	70	65	60		88	83	80	75	70	65	60
32	104,400 *							32							
34	104,400 *							34	104,400 *						
36	104,400 *							36	104,400 *						
38	104,400 *							38	104,400 *						
40	104,400 *							40	104,400 *						
42	104,400 *							42	104,400 *						
44	104,400 *							44	104,400 *						
46	100,700 *	104,400 *						46	100,500 *						
48	94,300 *	99,600						48	94,300 *						
50	88,800 *	94,300						50	88,800 *	94,100					
55	76,900 *	83,300	81,300					55	76,900 *	82,800					
60	67,900 *	74,200	72,700					60	67,900 *	74,000	72,300				
65	60,600 *	67,000	65,600					65	60,600 *	66,700	65,400				
70	54,600 *	61,000	59,700					70	54,600 *	60,800	59,500				
75	49,300 *	55,900	54,800	52,700				75	49,400 *	55,500	54,400	52,000			
80		51,500	50,400	48,700				80	45,100 *	51,300	50,200	48,200			
85		47,600	46,700	45,100	42,700			85	41,400 *	47,300	46,500	44,700			
90			43,400	41,800	40,300			90		44,000	43,200	41,600			
95				39,200	37,400			95		41,200 *	40,300	38,800	37,000		
100				36,800	35,200	33,200		100			37,900	36,300	34,800		
105					33,000	31,700		105				34,100	32,800	30,800	
110						29,700		110					30,800	29,500	
115						28,200	26,600	115					29,100	27,700	
120							25,700	120						26,200	
125							24,400	125						24,900	
130							23,100	130						22,700	
135								135						21,600	
140								140						20,500	

110' Boom								110' Boom							
Load Radius (ft.)	90 ft Jib							Load Radius (ft.)	100 ft Jib						
	Boom Angle (deg.)								Boom Angle (deg.)						
	88	83	80	75	70	65	60		88	83	80	75	70	65	60
36	104,400 *							36							
38	104,400 *							38							
40	104,400 *							40	104,400 *						
42	104,400 *							42	104,400 *						
44	104,400 *							44	104,400 *						
46	100,500 *							46	100,100 *						
48	94,300 *							48	94,100 *						
50	88,600 *							50	88,600 *						
55	76,700 *	82,600						55	76,500 *						
60	67,900 *	74,000						60	67,700 *	73,600					
65	60,600 *	66,700	64,800					65	60,400 *	66,500					
70	54,600 *	60,800	59,300					70	54,400 *	60,600	58,600				
75	49,400 *	55,700	54,200					75	49,200 *	55,500	54,200				
80	45,100 *	51,300	50,000	47,600				80	44,800 *	51,100	50,000				
85	41,400 *	47,600	46,200	44,500				85	41,200 *	47,300	46,200	43,600			
90	38,100 *	44,300	42,900	41,400				90	37,900 *	44,000	43,200	41,200			
95	35,200 *	41,200	40,100	38,500				95	35,100 *	41,000	40,100	38,300			
100		38,500 *	37,600	36,100	34,100			100	32,600 *	38,400 *	37,600	35,900			
105			35,400	33,900	32,400			105			35,300	33,700	31,700		
110				32,100	30,600			110		33,000 *	33,200	31,900	30,400		
115				30,200	28,800	27,100		115			31,300	29,900	28,600		
120					27,300	26,200		120				28,400	27,100	25,300	
125					26,000	24,900		125				26,800	25,700	24,600	
130						23,500	21,800	130					24,400	23,300	
135						22,400	21,300	135					23,100	22,200	
140							20,500	140						21,100	
145							19,400	145						20,200	
150								150						19,100	
155								155						18,200	
160								160						17,600	

CK2000-II Luffing Jib Rating Loads in Pounds

Refer to notes page 10

11 Counterweights (132,280 lbs.) + 2 Low Weights (22,050 lbs. x 2)

110' Boom								110' Boom							
Load Radius (ft.)	110 ft Jib							Load Radius (ft.)	120 ft Jib						
	Boom Angle (deg.)								Boom Angle (deg.)						
	88	83	80	75	70	65	60		88	83	80	75	70	65	60
42	100,500 *							42							
44	97,200 *							44	83,300 *						
46	93,900 *							46	83,100 *						
48	90,200 *							48	82,900 *						
50	86,600 *							50	82,200 *						
55	76,300 *							55	76,100 *						
60	67,400 *	73,100						60	67,200 *						
65	60,100 *	66,300						65	59,900 *	65,600 *					
70	54,200 *	60,100						70	54,000 *	59,900 *					
75	48,900 *	55,100	53,300					75	48,700 *	54,800 *	53,100				
80	44,700 *	50,700	49,600					80	44,500 *	50,400 *	49,300				
85	41,000 *	46,900	46,000					85	40,700 *	46,700 *	45,600				
90	37,900 *	43,600	42,700	40,100				90	37,600 *	43,400 *	42,500				
95	35,000 *	40,700	39,900	38,100				95	34,600 *	40,500 *	39,600	37,200			
100	32,400 *	38,100 *	37,400	35,700				100	32,100 *	37,900 *	37,200	35,200			
105	30,200 *	35,400 *	35,000	33,500				105	29,900 *	35,200 *	34,800	33,200			
110	28,200 *	32,800 *	33,000	31,500	29,500			110	27,900 *	32,800 *	32,800	31,300			
115		30,600 *	31,300	29,700	28,200			115	26,200 *	30,400 *	31,000	29,500	27,300		
120		28,600 *	29,500	28,200	26,600			120	24,600 *	28,400 *	29,300	27,700	26,600		
125			27,900	26,600	25,300	23,500		125		26,600 *	27,700	26,400	25,300		
130				25,300	24,000	23,100		130		24,900 *	26,400	25,100	24,000	22,000	
135				22,900	22,900	21,800		135			23,800	23,800	22,900	21,600	
140					21,800	20,900	18,900	140				22,700	21,800	20,500	
145					20,700	19,800	18,700	145				21,600	20,700	19,600	
150						18,900	18,000	150					19,800	18,700	16,900
155							18,000	155					18,900	17,800	16,900
160								160						17,100	16,000
165								165						16,300	15,400
170								170							14,700
175								175							14,100
180								180							

110' Boom								110' Boom							
Load Radius (ft.)	130 ft Jib							Load Radius (ft.)	140 ft Jib						
	Boom Angle (deg.)								Boom Angle (deg.)						
	88	83	80	75	70	65	60		88	83	80	75	70	65	60
48	74,800 *							48							
50	73,900 *							50	63,900 *						
55	71,500 *							55	62,400 *						
60	67,000 *							60	61,000 *						
65	59,700 *							65	57,500 *						
70	53,500 *	59,500						70	54,200 *						
75	48,500 *	54,600						75	48,700 *	54,000					
80	44,300 *	50,200	48,500					80	44,500 *	50,200					
85	40,500 *	46,500	45,400					85	40,700 *	46,500	44,500				
90	37,200 *	43,200	42,300					90	37,600 *	43,200	41,800				
95	34,300 *	40,300	39,400					95	34,600 *	40,300	39,000				
100	31,900 *	37,600	36,800	34,300				100	32,100 *	37,600	36,500				
105	29,700 *	35,000 *	34,600	32,800				105	29,800 *	35,200 *	34,300	31,900			
110	27,700 *	32,400 *	32,600	31,000				110	27,900 *	32,800 *	32,100	30,600			
115	26,000 *	30,200 *	30,800	29,300				115	26,000 *	30,600 *	30,400	28,800			
120	24,200 *	28,200 *	29,100	27,500	25,500			120	24,400 *	28,400 *	28,600	27,300			
125	22,900 *	26,400 *	27,500	26,200	25,100			125	22,900 *	26,600 *	27,300	25,700	23,800		
130	21,600 *	24,600 *	26,200	24,900	23,800			130	21,600 *	24,900 *	25,700	24,400	23,300		
135		23,300 *	24,900	23,500	22,700			135	20,200 *	23,500 *	24,400	23,100	22,200		
140		21,800 *	23,800	22,400	21,600	19,600		140	19,100 *	22,000 *	23,300	22,000	21,100		
145			22,700 *	21,300	20,500	19,400		145		20,700 *	22,200 *	21,100	20,000	18,000	
150				20,500	19,600	18,500		150		19,600 *	20,900 *	20,000	19,100	18,000	
155				19,600	18,700	17,600	15,800	155			19,800 *	19,100	18,200	17,100	
160					17,800	16,700	15,800	160				18,200	17,400	16,500	14,700
165					17,100	16,000	15,200	165				17,600	16,700	15,600	14,700
170						15,400	14,500	170					16,000	14,900	14,100
175							14,700	175					15,400	14,300	13,400
180								180						13,800	13,000
185								185						13,200	12,300
190								190							11,900
195								195							11,200
200								200							

CK2000-II Luffing Jib Rating Loads in Pounds

Refer to notes page 10

11 Counterweights (132,280 lbs.) + 2 Low Weights (22,050 lbs. x 2)

110' Boom								110' Boom							
Load Radius (ft.)	150 ft Jib							Load Radius (ft.)	160 ft Jib						
	Boom Angle (deg.)								Boom Angle (deg.)						
	88	83	80	75	70	65	60		88	83	80	75	70	65	60
55	52,700 *							55	45,600 *						
60	50,700 *							60	43,800 *						
65	47,800 *							65	41,200 *						
70	45,200 *							70	38,800 *						
75	42,700 *	48,500 *						75	36,800 *						
80	40,500 *	45,200 *						80	34,800 *	38,800 *					
85	38,500 *	42,700 *						85	33,000 *	36,800 *					
90	36,800 *	40,500 *	41,000					90	31,500 *	34,800 *					
95	34,300 *	38,500 *	38,800					95	29,900 *	33,000 *	35,500 *				
100	31,900 *	36,800 *	36,300					100	28,600 *	31,500 *	33,700 *				
105	29,700 *	35,000 *	33,900					105	27,600 *	30,200 *	32,000 *				
110	27,500 *	32,600 *	31,900	29,700				110	26,200 *	28,600 *	30,400 *				
115	25,700 *	30,400 *	30,200	28,600				115	25,100 *	27,600 *	29,100 *	27,500			
120	24,200 *	28,200 *	28,400	26,800				120	24,000 *	26,200 *	27,800 *	27,100			
125	22,700 *	26,400 *	27,100	25,500				125	22,900 *	25,100 *	26,500 *	25,500			
130	21,300 *	24,600 *	25,500	24,200	22,200			130	21,600 *	24,000 *	25,300 *	24,200			
135	20,000 *	23,100 *	24,200	22,900	22,000			135	20,200 *	22,900 *	24,000	22,900	20,700		
140	18,900 *	21,800 *	23,100	21,800	20,900			140	19,100 *	21,600 *	22,900	21,800	20,500		
145	17,800 *	20,500 *	22,000 *	20,700	19,800			145	18,000 *	20,200 *	21,800 *	20,900	19,600		
150	16,700 *	19,400 *	20,700 *	19,800	18,900	16,900		150	16,900 *	19,100 *	20,500 *	19,800	18,700		
155		18,200 *	19,600 *	18,900	18,000	16,900		155	14,900 *	18,000 *	19,400 *	18,900	17,800	15,800	
160		17,100 *	18,500 *	18,000	17,100	16,300		160	13,000 *	16,900 *	18,200 *	18,000	16,900	15,800	
165			17,400 *	17,400	16,500	15,400		165		16,000 *	17,100 *	17,400	16,300	15,200	
170				16,500	15,800	14,700	13,000	170		13,800 *	16,300 *	16,500	15,600	14,500	
175				15,800	15,200	14,100	13,000	175			15,200 *	15,800	14,900	13,800	11,900
180					14,500	13,600	12,700	180				15,200	14,300	13,200	11,900
185					13,800	13,000	12,100	185				14,500	13,600	12,700	11,600
190						12,500	11,400	190					13,000	12,100	11,200
195							11,900	195					12,500	11,600	10,800
200								200						11,200	10,100
205								205						10,800	9,700
210								210							9,200
215								215							9,000

110' Boom								110' Boom							
Load Radius (ft.)	170 ft Jib							Load Radius (ft.)	170 ft Jib						
	Boom Angle (deg.)								Boom Angle (deg.)						
	88	83	80	75	70	65	60		88	83	80	75	70	65	60
60	38,800 *														
65	36,800 *														
70	34,600 *														
75	32,600 *														
80	30,800 *														
85	29,300 *	32,600 *													
90	27,700 *	30,800 *													
95	26,400 *	29,300 *	31,500 *												
100	25,100 *	27,700 *	29,800 *												
105	24,300 *	26,700 *	28,200 *												
110	22,900 *	25,100 *	26,900 *												
115	22,000 *	24,000 *	25,600 *												
120	20,900 *	22,900 *	24,300 *	24,900 *											
125	20,100 *	22,000 *	23,100 *	23,800 *											
130	19,100 *	20,900 *	22,300 *	22,700 *											
135	18,500 *	20,100 *	21,200 *	21,800 *											
140	17,600 *	19,100 *	20,300 *	20,700 *	19,800										
145	16,500 *	18,500 *	19,400 *	20,100 *	19,100										
150	14,300 *	17,600 *	18,700 *	19,200 *	18,200										
155	12,100 *	17,200 *	17,900 *	18,500 *	17,400										
160	10,300 *	16,300 *	17,200 *	17,600 *	16,700										
165	8,500 *	14,300 *	16,500 *	16,900 *	15,800	14,500									
170	7,200 *	12,100 *	15,800 *	16,300	15,200	14,100									
175		9,900 *	13,800 *	15,600	14,500	13,400									
180		7,900 *	11,200 *	14,900	13,800	13,000									
185			9,000 *	14,300	13,200	12,300	11,000								
190			6,800 *	13,600	12,700	11,900	10,800								
195				10,800	12,300	11,200	10,300								
200					11,600	10,800	9,700								
205						11,200	10,300	9,200							
210							10,900	8,800							
215								9,400	8,500						
220									8,100						
225									7,700						

CK2000-II Luffing Jib Rating Loads in Pounds

Refer to notes page 10

11 Counterweights (132,280 lbs.) + 2 Low Weights (22,050 lbs. x 2)

120' Boom								120' Boom							
Load Radius (ft.)	70 ft Jib							Load Radius (ft.)	80 ft Jib						
	Boom Angle (deg.)								Boom Angle (deg.)						
	88	83	80	75	70	65	60		88	83	80	75	70	65	60
32	104,400 *							32							
34	104,400 *							34	104,400 *						
36	104,400 *							36	104,400 *						
38	104,400 *							38	104,400 *						
40	104,400 *							40	104,400 *						
42	104,400 *							42	104,400 *						
44	104,400 *							44	104,200 *						
46	100,000 *							46	99,800 *						
48	95,400 *	99,200						48	95,400 *						
50	89,900 *	93,900						50	89,700 *						
55	77,600 *	82,800						55	77,600 *	82,400					
60	68,600 *	73,800	72,000					60	68,600 *	73,800					
65	61,200 *	66,700	65,200					65	61,200 *	66,500	64,500				
70	54,800 *	60,600	59,300					70	55,100 *	60,600	58,800				
75	49,600 *	55,500	54,400	51,500				75	49,600 *	55,500	54,000				
80		51,100	50,000	48,000				80	45,400 *	51,100	49,800	47,100			
85		47,300	46,200	44,500				85	41,600 *	47,300	46,000	44,000			
90			43,200	41,400	39,000			90		44,000	42,700	41,000			
95			40,300	38,500	36,800			95		41,200	40,100	38,300	35,900		
100				36,100	34,600			100			37,400	35,900	34,100		
105				33,900	32,400	30,400		105			35,200	33,700	32,100		
110					30,600	29,100		110				31,700	30,200	28,200	
115					28,800	27,500		115				29,900	28,400	27,300	
120						26,000	24,200	120					26,800	25,700	
125						24,600	23,500	125					25,500	24,400	
130							22,400	130						23,100	
135							21,300	135						22,000	
140								140						20,900	
145								145						19,800	
150								150						18,900	

120' Boom								120' Boom							
Load Radius (ft.)	90 ft Jib							Load Radius (ft.)	100 ft Jib						
	Boom Angle (deg.)								Boom Angle (deg.)						
	88	83	80	75	70	65	60		88	83	80	75	70	65	60
36	104,400 *							36							
38	104,400 *							38							
40	104,400 *							40	104,400 *						
42	104,400 *							42	103,000 *						
44	104,200 *							44	101,400 *						
46	99,800 *							46	99,400 *						
48	95,400 *							48	94,100 *						
50	89,700 *							50	89,100 *						
55	77,600 *	82,200						55	77,200 *						
60	68,600 *	73,600						60	68,100 *	73,100					
65	61,100 *	66,300	64,300					65	60,800 *	66,100					
70	55,100 *	60,400	58,600					70	54,800 *	60,100	58,200				
75	49,600 *	55,300	53,700					75	49,400 *	55,100	53,700				
80	45,400 *	50,900	49,600					80	45,200 *	50,700	49,600				
85	41,600 *	47,100	45,800	43,400				85	41,400 *	46,900	45,800				
90	38,300 *	43,800	42,700	40,700				90	38,100 *	43,600	42,700	39,900			
95	35,400 *	41,000	39,900	38,100				95	35,300 *	40,700	39,900	37,900			
100		38,300	37,200	35,700	33,200			100	32,600 *	38,300	37,200	35,400			
105		36,100	35,000	33,500	31,700			105		35,900	35,000	33,200	31,000		
110			33,000	31,500	29,900			110		33,700 *	33,000	31,300	29,700		
115			31,300	29,700	28,200			115		31,100 *	31,300	29,500	27,900		
120				28,200	26,600	24,900		120			29,500	27,900	26,400		
125				26,600	25,300	24,200		125				26,600	25,100	23,100	
130					24,000	22,900		130				25,100	23,800	22,700	
135					22,900	21,800	20,000	135				24,000	22,700	21,600	
140						20,900	19,600	140					21,600	20,700	
145						19,800	18,700	145					20,500	19,600	
150							17,800	150						18,700	
155								155						17,800	
160								160						16,900	



CK2000-II Luffing Jib Rating Loads in Pounds

Refer to notes page 10

11 Counterweights (132,280 lbs.) + 2 Low Weights (22,050 lbs. x 2)

120' Boom								120' Boom							
Load Radius (ft.)	110 ft Jib							Load Radius (ft.)	120 ft Jib						
	Boom Angle (deg.)								Boom Angle (deg.)						
	88	83	80	75	70	65	60		88	83	80	75	70	65	60
42	90,800 *							42							
44	89,500 *							44							
46	88,200 *							46	78,500 *						
48	87,100 *							48	78,400 *						
50	86,000 *							50	78,100 *						
55	77,200 *							55	75,000 *						
60	68,100 *							60	67,700 *						
65	60,600 *	65,400						65	60,400 *	65,200					
70	54,600 *	59,900						70	54,200 *	59,500					
75	49,300 *	54,800	52,900					75	48,900 *	54,400					
80	44,900 *	50,400	49,100					80	44,700 *	50,200	48,200				
85	41,200 *	46,700	45,600					85	41,000 *	46,500	45,100				
90	37,900 *	43,400	42,300					90	37,600 *	43,200	42,100				
95	35,000 *	40,500	39,400	36,800				95	34,800 *	40,300	39,200				
100	32,600 *	37,900	37,000	35,000				100	32,400 *	37,600	36,800	34,100			
105	30,400 *	35,700	34,800	32,800				105	30,200 *	35,400	34,600	32,600			
110	28,200 *	33,500	32,800 *	31,000				110	28,200 *	33,200 *	32,600	30,600			
115		31,000	30,800 *	29,300	27,600			115	26,200 *	30,900 *	30,600	29,100			
120		29,100	29,300 *	27,700	26,400			120	24,600 *	28,800 *	29,100	27,300	25,300		
125			27,700 *	26,200	24,900			125		27,100 *	27,500	26,000	24,600		
130			26,400 *	24,900	23,800	21,600		130		25,300 *	26,200	24,600	23,500		
135				23,500	22,400	21,100		135			24,900	23,300	22,200	20,000	
140				22,400	21,300	20,200		140			23,500	22,200	21,100	20,000	
145					20,500	19,100	17,400	145				21,300	20,200	18,900	
150					19,600	18,200	17,100	150				20,200	19,400	18,000	
155					18,700	17,600	16,500	155					18,500	17,400	15,400
160						16,700	15,600	160					17,600	16,500	15,400
165							14,900	165						15,800	14,700
170							14,300	170						15,200	14,100
175								175							13,600
180								180							13,000

120' Boom								120' Boom							
Load Radius (ft.)	130 ft Jib							Load Radius (ft.)	140 ft Jib						
	Boom Angle (deg.)								Boom Angle (deg.)						
	88	83	80	75	70	65	60		88	83	80	75	70	65	60
48	69,400 *							48							
50	69,400 *							50	62,400 *						
55	69,000 *							55	61,100 *						
60	67,200 *							60	59,500 *						
65	60,100 *							65	57,700 *						
70	54,000 *	59,000						70	54,400 *						
75	48,900 *	54,200						75	49,200 *	53,500					
80	44,500 *	50,000						80	44,800 *	49,800					
85	40,700 *	46,200	44,300					85	41,200 *	46,000	44,000				
90	37,400 *	42,900	41,800					90	37,900 *	42,900	41,400				
95	34,600 *	39,900	39,000					95	34,800 *	39,900	38,500				
100	32,100 *	37,400	36,500					100	32,400 *	37,400	36,100				
105	29,900 *	35,000	34,300	31,700				105	29,900 *	35,000	33,900				
110	27,700 *	33,000 *	32,100	30,400				110	27,900 *	33,000	31,900	29,300			
115	26,000 *	30,600 *	30,400	28,600				115	26,200 *	31,000 *	30,200	28,600			
120	24,400 *	28,600 *	28,800	27,100				120	24,400 *	29,100 *	28,400	27,100			
125	22,900 *	26,800 *	27,300	25,700	23,500			125	22,900 *	27,100 *	26,800	25,500			
130	21,600 *	25,100 *	25,700	24,400	23,100			130	21,600 *	25,300 *	25,500	24,200	21,800		
135		23,500 *	24,600	23,100	22,000			135	20,200 *	23,800 *	24,200	23,100	21,600		
140		22,200 *	23,300	22,000	20,900	18,700		140	19,100 *	22,400 *	23,100	21,800	20,500		
145			22,200	20,900	20,000	18,700		145		21,100 *	22,200	20,900	19,600		
150				20,000	19,100	17,800		150		19,800 *	20,900	20,000	18,700	16,500	
155				19,100	18,200	16,900		155			20,000	19,100	17,800	16,500	
160					17,400	16,300	14,300	160				18,200	16,900	15,500	
165					16,700	15,600	14,300	165				17,400	16,300	15,200	13,200
170						14,900	13,800	170					15,600	14,500	13,200
175						14,300	13,200	175					14,900	13,800	12,700
180							12,700	180						13,200	12,300
185							12,100	185						12,700	11,600
190							11,600	190							11,200
195								195							10,500
200								200							10,100



CK2000-II Luffing Jib Rating Loads in Pounds

Refer to notes page 10

11 Counterweights (132,280 lbs.) + 2 Low Weights (22,050 lbs. x 2)

120' Boom								120' Boom							
Load Radius (ft.)	150 ft Jib							Load Radius (ft.)	160 ft Jib						
	Boom Angle (deg.)								Boom Angle (deg.)						
	88	83	80	75	70	65	60		88	83	80	75	70	65	60
55	52,700 *							55	45,600 *						
60	50,700 *							60	43,800 *						
65	47,800 *							65	41,200 *						
70	45,200 *							70	39,000 *						
75	42,900 *							75	36,800 *						
80	40,700 *	45,600 *						80	34,800 *	40,100 *					
85	38,800 *	43,200 *						85	33,000 *	37,200 *					
90	37,000 *	41,000 *	40,500					90	31,500 *	35,200 *					
95	34,600 *	39,000 *	38,300					95	29,900 *	33,500 *	36,200 *				
100	32,100 *	37,200 *	35,900					100	28,600 *	31,700 *	34,400 *				
105	29,700 *	34,800 *	33,700					105	27,600 *	30,600 *	32,600 *				
110	27,700 *	32,800 *	31,700					110	26,200 *	28,800 *	31,100 *				
115	26,000 *	30,800 *	29,700	27,300				115	25,100 *	27,800 *	29,500 *				
120	24,200 *	28,800 *	28,200	26,800				120	24,000 *	26,400 *	27,900	25,500			
125	22,700 *	26,800 *	26,600	25,300				125	23,100 *	25,400 *	26,400	25,100			
130	21,300 *	25,100 *	25,300	24,000				130	21,600 *	24,200 *	25,100	23,800			
135	20,000 *	23,500 *	24,000	22,900	20,500			135	20,500 *	23,300 *	23,800	22,700			
140	18,900 *	22,200 *	22,900	21,800	20,200			140	19,100 *	21,800 *	22,700	21,300	18,900		
145	17,800 *	20,900 *	21,800	20,700	19,400			145	18,000 *	20,500 *	21,600	20,500	18,900		
150	16,900 *	19,600 *	20,700	19,800	18,500			150	16,500 *	19,400 *	20,500	19,400	18,000		
155		18,500 *	19,800	18,900	17,600	15,400		155	14,500 *	18,200 *	19,600	18,500	17,400		
160		17,400 *	18,900 *	18,000	16,700	15,400		160	12,500 *	17,100 *	18,500 *	17,800	16,500	14,300	
165			17,800 *	17,100	16,000	14,900		165		16,300 *	17,600 *	16,900	15,800	14,300	
170				16,500	15,400	14,300		170		13,800 *	16,500 *	16,300	15,200	13,800	
175				15,800	14,700	13,600	11,400	175			15,400 *	15,600	14,500	13,400	
180					14,100	13,000	11,400	180				14,900	13,800	12,700	10,500
185					13,400	12,500	11,400	185				14,300	13,200	12,100	10,500
190						11,900	10,800	190					12,700	11,600	10,500
195						11,400	10,300	195					12,100	11,200	10,100
200							9,900	200						10,500	9,400
205							9,400	205						10,100	9,000
210							9,000	210							8,800
215								215							8,300
220								220							7,900

120' Boom								120' Boom							
Load Radius (ft.)	170 ft Jib							Load Radius (ft.)	170 ft Jib						
	Boom Angle (deg.)								Boom Angle (deg.)						
	88	83	80	75	70	65	60		88	83	80	75	70	65	60
60	38,800 *														
65	36,800 *														
70	34,600 *														
75	32,600 *														
80	30,800 *														
85	29,300 *	33,000 *													
90	27,700 *	31,300 *													
95	26,400 *	29,500 *													
100	25,100 *	28,000 *	30,400 *												
105	24,300 *	26,900 *	28,900 *												
110	22,900 *	25,300 *	27,300 *												
115	22,000 *	24,300 *	26,000 *												
120	20,900 *	23,100 *	24,700 *												
125	20,100 *	22,300 *	23,600 *	24,300 *											
130	19,100 *	21,100 *	22,500 *	23,100 *											
135	18,500 *	20,300 *	21,600 *	22,200 *											
140	17,600 *	19,400 *	20,500 *	21,100 *											
145	16,000 *	18,700 *	19,600 *	20,000 *	18,200										
150	13,800 *	17,800 *	19,000 *	19,100	17,800										
155	11,900 *	17,200 *	18,100 *	18,200	16,900										
160	9,900 *	16,500 *	17,400 *	17,400	16,000										
165	8,100 *	14,300 *	16,800 *	16,700	15,400	13,800									
170	6,800 *	11,900 *	16,100 *	15,800	14,700	13,600									
175		9,700 *	13,800 *	15,200	14,100	13,000									
180		7,700 *	11,200 *	14,500	13,400	12,300									
185			9,000 *	13,800	13,000	11,600									
190				13,400	12,300	11,200	9,700								
195				11,200	11,900	10,800	9,400								
200					11,400	10,100	9,000								
205					10,800	9,700	8,500								
210						9,200	8,100								
215						8,800	7,900								
220							7,400								
225							7,000								
230							6,800								

CK2000-II Luffing Jib Rating Loads in Pounds

Refer to notes page 10

11 Counterweights (132,280 lbs.) + 2 Low Weights (22,050 lbs. x 2)

130' Boom								130' Boom							
Load Radius (ft.)	70 ft Jib							Load Radius (ft.)	80 ft Jib						
	Boom Angle (deg.)								Boom Angle (deg.)						
	88	83	80	75	70	65	60		88	83	80	75	70	65	60
32	104,400 *							32	104,400 *						
34	104,400 *							34	104,400 *						
36	104,400 *							36	104,400 *						
38	104,400 *							38	104,400 *						
40	104,400 *							40	104,400 *						
42	104,400 *							42	103,300 *						
44	99,600 *							44	98,900 *						
46	95,400 *							46	94,700 *						
48	91,700 *							48	91,000 *						
50	88,100 *	93,200						50	87,500 *						
55	78,500 *	82,200						55	78,500 *	82,000					
60	69,200 *	73,400	71,400					60	69,200 *	73,400					
65	61,700 *	66,300	64,500					65	61,700 *	66,300	63,900				
70	55,300 *	60,400	58,800					70	55,300 *	60,100	58,400				
75	50,000 *	55,300	53,700					75	50,000 *	55,100	53,500				
80		50,900	49,600	46,700				80	45,600 *	50,900	49,300	46,500			
85		47,100	45,800	43,800				85	41,800 *	47,100	45,600	43,400			
90		43,800	42,700	40,700				90		43,800	42,500	40,300			
95			39,900	38,100	35,400			95		41,000	39,600	37,600			
100				35,700	33,700			100		38,300	37,000	35,200	32,800		
105				33,500	31,700			105			34,800	33,200	31,300		
110					29,900	27,700		110				31,300	29,500		
115					28,200	26,800		115				29,500	27,700	25,700	
120						25,300		120					26,400	25,100	
125						24,000		125					24,900	23,800	
130								130						22,400	20,500
135								135						21,300	20,000
140								140							19,100
145								145							18,200
150								150							17,400

130' Boom								130' Boom							
Load Radius (ft.)	90 ft Jib							Load Radius (ft.)	100 ft Jib						
	Boom Angle (deg.)								Boom Angle (deg.)						
	88	83	80	75	70	65	60		88	83	80	75	70	65	60
38	104,400 *							38	99,900 *						
40	104,400 *							40	99,900 *						
42	103,100 *							42	97,400 *						
44	98,700 *							44	95,000 *						
46	94,500 *							46	92,600 *						
48	90,800 *							48	90,200 *						
50	87,300 *							50	86,800 *						
55	78,300 *							55	78,000 *						
60	69,000 *	72,900						60	68,800 *	72,700					
65	61,700 *	66,100						65	61,300 *	65,600					
70	55,300 *	59,900	57,900					70	55,300 *	59,700					
75	50,000 *	55,100	53,500					75	49,800 *	54,600	52,600				
80	45,600 *	50,700	49,300					80	45,400 *	50,400	49,100				
85	41,800 *	46,900	45,600	42,500				85	41,700 *	46,700	45,400				
90	38,500 *	43,600	42,500	40,100				90	38,400 *	43,400	42,300	39,200			
95	35,500 *	40,700	39,600	37,400				95	35,300 *	40,500	39,400	37,200			
100		38,100	37,200	35,000				100	32,800 *	37,900	37,000	34,800			
105		35,900	35,000	33,000	30,600			105		35,700	34,800	32,800			
110		33,700	32,800	31,000	29,300			110		33,700	32,600	30,800	28,400		
115			31,000	29,300	27,500			115		31,700	30,800	29,100	27,500		
120				27,700	26,200	24,000		120			29,300	27,500	26,200		
125				26,200	24,600	23,500		125			27,700	26,000	24,600		
130					23,500	22,200		130				24,600	23,500	21,100	
135					22,200	21,100		135				23,500	22,200	20,900	
140						20,200	18,200	140					21,300	20,000	
145							19,100	145					20,200	18,900	16,900
150								150						18,000	16,900
155								155						17,400	16,000
160								160							15,400
165								165							14,700
170								170							



CK2000-II Luffing Jib Rating Loads in Pounds

Refer to notes page 10

11 Counterweights (132,280 lbs.) + 2 Low Weights (22,050 lbs. x 2)

130' Boom								130' Boom							
Load Radius (ft.)	110 ft Jib							Load Radius (ft.)	120 ft Jib						
	Boom Angle (deg.)								Boom Angle (deg.)						
	88	83	80	75	70	65	60		88	83	80	75	70	65	60
42	83,800 *							42							
44	83,300 *							44							
46	82,900 *							46	74,300 *						
48	82,500 *							48	73,900 *						
50	82,000 *							50	73,600 *						
55	78,000 *							55	72,200 *						
60	68,700 *							60	68,300 *						
65	61,200 *	65,000						65	61,000 *						
70	54,800 *	59,500						70	54,600 *	58,800					
75	49,800 *	54,400	52,200					75	49,400 *	54,400					
80	45,400 *	50,000	48,700					80	45,000 *	50,000	47,800				
85	41,400 *	46,200	45,100					85	41,200 *	46,500	44,700				
90	38,100 *	42,900	41,800					90	37,900 *	43,200	41,600				
95	35,200 *	40,100	39,000	36,100				95	35,000 *	40,100	38,800				
100	32,800 *	37,600	36,500	34,300				100	32,600 *	37,600	36,300	33,500			
105	30,400 *	35,200	34,300	32,400				105	30,200 *	35,400	34,100	32,100			
110	28,400 *	33,200	32,400	30,400				110	28,200 *	33,200	32,100	30,200			
115		31,500	30,600	28,600	26,400			115	26,400 *	31,300	30,400	28,400			
120		29,500 *	28,800	27,100	25,700			120	24,600 *	29,300 *	28,600	26,800	24,400		
125		27,500 *	27,300	25,700	24,400			125		27,600 *	27,100	25,500	24,000		
130			26,000	24,400	23,100			130		25,800 *	25,700	24,200	22,900		
135			24,600	23,100	22,000	19,800		135		24,300 *	24,400	22,900	21,800		
140				22,000	20,900	19,600		140			23,300	21,800	20,700	18,500	
145				21,100	20,000	18,700		145			22,200	20,900	19,600	18,200	
150					18,900	17,800	15,600	150				19,800	18,700	17,400	
155					18,200	16,900	15,600	155				18,900	18,000	16,700	
160						16,300	14,900	160					17,100	15,800	13,800
165						15,400	14,300	165					16,500	15,200	13,800
170							13,600	170						14,500	13,400
175							13,200	175						13,800	12,700
180								180							12,300
185								185							11,600

130' Boom								130' Boom							
Load Radius (ft.)	130 ft Jib							Load Radius (ft.)	140 ft Jib						
	Boom Angle (deg.)								Boom Angle (deg.)						
	88	83	80	75	70	65	60		88	83	80	75	70	65	60
48	66,400 *							48							
50	66,100 *							50	59,300 *						
55	65,500 *							55	58,000 *						
60	64,200 *							60	56,900 *						
65	60,600 *							65	55,300 *						
70	54,400 *	58,600						70	53,600 *						
75	49,100 *	54,200						75	49,600 *	53,100					
80	44,700 *	49,800						80	45,100 *	49,600					
85	41,000 *	46,200	43,800					85	41,400 *	45,800					
90	37,600 *	42,900	41,400					90	38,100 *	42,500	40,300				
95	34,800 *	39,900	38,500					95	35,000 *	39,600	38,100				
100	32,100 *	37,400	36,100					100	32,400 *	37,000	35,700				
105	29,900 *	35,100	33,900	31,000				105	30,200 *	34,800	33,500				
110	27,900 *	33,000	31,900	29,900				110	28,200 *	32,800	31,500	28,800			
115	26,200 *	31,100	30,200	28,200				115	26,200 *	30,800	29,700	28,200			
120	24,400 *	29,100 *	28,400	26,600				120	24,600 *	29,300	28,200	26,600			
125	22,900 *	27,300 *	26,800	25,100	22,900			125	23,100 *	27,500 *	26,600	25,100			
130	21,600 *	25,600 *	25,500	24,000	22,700			130	21,600 *	25,700 *	25,300	23,800			
135		24,000 *	24,200	22,700	21,300			135	20,500 *	24,200 *	24,000	22,700	20,500		
140		22,500 *	23,100	21,600	20,500			140	19,100 *	22,700 *	22,900	21,600	20,000		
145		21,200 *	22,000	20,700	19,400	17,100		145		21,300 *	21,800	20,500	19,100		
150			21,100	19,600	18,500	17,100		150		20,000 *	20,700	19,600	18,000		
155			20,000	18,700	17,600	16,500		155		18,900 *	19,800	18,700	17,400	15,200	
160				18,000	16,900	15,600		160			18,900	17,800	16,500	15,200	
165				17,100	16,000	14,900	12,700	165			18,000	17,100	15,800	14,500	
170					15,400	14,300	12,700	170				16,300	15,200	13,800	11,600
175					14,700	13,600	12,500	175				15,600	14,500	13,400	11,600
180						13,200	11,900	180					13,800	12,700	11,400
185						12,500	11,400	185					13,200	12,100	11,000
190							11,000	190						11,600	10,300
195							10,300	195						11,200	9,900
200								200							9,400
205								205							9,000

CK2000-II Luffing Jib Rating Loads in Pounds

Refer to notes page 10

11 Counterweights (132,280 lbs.) + 2 Low Weights (22,050 lbs. x 2)

130' Boom								130' Boom							
Load Radius (ft.)	150 ft Jib							Load Radius (ft.)	160 ft Jib						
	Boom Angle (deg.)								Boom Angle (deg.)						
	88	83	80	75	70	65	60		88	83	80	75	70	65	60
55	52,900 *							55							
60	50,900 *							60	44,000 *						
65	48,000 *							65	41,400 *						
70	45,400 *							70	39,000 *						
75	42,900 *							75	37,000 *						
80	40,700 *	46,300						80	35,000 *	40,600 *					
85	38,800 *	43,800						85	33,200 *	37,700 *					
90	37,000 *	41,600						90	31,500 *	35,700 *					
95	34,800 *	39,400	37,200					95	29,900 *	33,700 *	36,800 *				
100	32,100 *	36,800	35,400					100	28,600 *	32,100 *	34,800 *				
105	29,900 *	34,600	33,200					105	27,800 *	30,900 *	33,000 *				
110	27,900 *	32,600	31,300					110	26,200 *	29,100 *	31,000				
115	26,000 *	30,600	29,500	26,800				115	25,400 *	28,000 *	29,300				
120	24,400 *	29,100	27,700	26,200				120	24,000 *	26,600 *	27,500	24,900			
125	22,900 *	27,300 *	26,400	24,900				125	23,100 *	25,600 *	26,000	24,600			
130	21,300 *	25,500 *	24,900	23,500				130	21,800 *	24,400 *	24,600	23,300			
135	20,000 *	24,000 *	23,800	22,400				135	20,500 *	23,600 *	23,500	22,000			
140	18,900 *	22,400 *	22,400	21,300	18,700			140	19,100 *	22,200 *	22,200	20,900			
145	17,800 *	21,100 *	21,600	20,200	18,700			145	18,000 *	20,900 *	21,100	20,000	17,400		
150	16,900 *	19,800 *	20,500	19,400	17,800			150	16,300 *	19,600 *	20,200	19,100	17,400		
155		18,700 *	19,600	18,500	17,100			155	14,100 *	18,500 *	19,400	18,200	16,700		
160		17,600 *	18,700	17,600	16,300	13,800		160	12,300 *	17,400 *	18,500	17,400	16,000		
165			17,800	16,900	15,600	13,800		165		16,000 *	17,600	16,500	15,200	12,700	
170			17,100	16,000	14,900	13,600		170		13,600 *	16,900 *	15,800	14,500	12,700	
175				15,400	14,300	13,000		175			15,400 *	15,200	13,800	12,700	
180				14,700	13,600	12,500	10,100	180			12,700 *	14,500	13,400	12,100	
185				14,300	13,000	11,900	10,100	185				13,800	12,700	11,400	9,200
190					12,500	11,400	10,100	190				13,400	12,300	11,000	9,200
195					12,100	10,800	9,700	195				12,100	11,900	10,500	9,200
200						10,300	9,200	200					11,200	10,100	8,800
205						9,900	8,800	205					10,800	9,700	8,300
210							8,300	210						9,200	7,900
215							7,900	215						8,800	7,700
220								220							7,200
225								225							6,800

130' Boom								130' Boom							
Load Radius (ft.)	170 ft Jib							Load Radius (ft.)	170 ft Jib						
	Boom Angle (deg.)								Boom Angle (deg.)						
	88	83	80	75	70	65	60		88	83	80	75	70	65	60
60	38,800 *							60							
65	37,000 *							65							
70	34,800 *							70							
75	32,800 *							75							
80	31,000 *							80							
85	29,300 *	33,500 *						85							
90	27,700 *	31,500 *						90							
95	26,400 *	29,900 *						95							
100	25,100 *	28,400 *	30,900 *					100							
105	24,300 *	27,300 *	29,300 *					105							
110	22,900 *	25,500 *	27,800 *					110							
115	22,000 *	24,700 *	26,200 *					115							
120	20,900 *	23,300 *	25,100 *					120							
125	20,300 *	22,500 *	23,800 *	23,800				125							
130	19,100 *	21,300 *	22,900 *	22,900				130							
135	18,500 *	20,500 *	21,800 *	21,800				135							
140	17,600 *	19,600 *	20,900 *	20,700				140							
145	15,800 *	18,700 *	20,100 *	19,600				145							
150	13,400 *	18,000 *	19,200 *	18,700	16,900			150							
155	11,400 *	17,400 *	18,300 *	17,800	16,500			155							
160	9,400 *	16,700 *	17,600 *	16,900	15,600			160							
165	7,900 *	14,100 *	17,000 *	16,300	14,900			165							
170	6,300 *	11,600 *	16,300 *	15,600	14,300	12,500		170							
175		9,400 *	13,800 *	14,900	13,600	12,300		175							
180		7,400 *	11,400 *	14,300	13,000	11,600		180							
185			9,000 *	13,600	12,500	11,000		185							
190			6,800 *	13,000	11,900	10,500		190							
195				11,900 *	11,400	10,100	8,300	195							
200				9,000 *	10,800	9,700	8,300	200							
205				6,100 *	10,300	9,000	7,900	205							
210					9,900	8,800	7,400	210							
215					8,100	8,300	7,200	215							
220						7,900	6,800	220							
225						7,400	6,300	225							
230							6,100	230							
235							5,900	235							



CK2000-II Luffing Jib Rating Loads in Pounds

Refer to notes page 10

11 Counterweights (132,280 lbs.) + 2 Low Weights (22,050 lbs. x 2)

140' Boom								140' Boom							
Load Radius (ft.)	70 ft Jib							Load Radius (ft.)	80 ft Jib						
	Boom Angle (deg.)								Boom Angle (deg.)						
	88	83	80	75	70	65	60		88	83	80	75	70	65	60
32	104,400 *							32							
34	104,400 *							34	104,400 *						
36	104,400 *							36	104,400 *						
38	104,400 *							38	104,400 *						
40	102,200 *							40	101,400 *						
42	97,800 *							42	97,000 *						
44	93,600 *							44	92,800 *						
46	89,900 *							46	89,000 *						
48	86,600 *							48	85,700 *						
50	83,300 *	92,800						50	82,400 *						
55	76,000 *	81,700						55	75,100 *	81,300					
60	69,700 *	72,900						60	69,000 *	72,900					
65	62,100 *	65,900	63,700					65	62,100 *	65,900	63,200				
70	55,700 *	59,900	58,200					70	55,700 *	59,900	57,700				
75	50,200 *	54,800	53,300					75	50,300 *	54,800	52,900				
80		50,400	49,100	46,000				80	45,800 *	50,400	48,700				
85		46,700	45,400	43,200				85	42,100 *	46,700	45,100	42,100			
90		43,400	42,300	40,100				90		43,400	41,800	39,600			
95			39,400	37,400	34,600			95		40,500	39,200	37,000			
100				35,000	33,000			100		38,100	36,800	34,800			
105				33,000	31,000			105			34,300	32,600	29,900		
110					29,100			110				30,600	28,800		
115					27,500	25,300		115				29,100	27,100		
120						24,600		120					25,700	23,500	
125						23,300		125					24,200	22,900	
130						22,200	20,000	130						21,800	
135							19,600	135						20,700	
140							18,700	140						19,600	
145							17,800	145						18,500	
150								150						17,400	
155								155						16,700	
														15,800	

140' Boom								140' Boom							
Load Radius (ft.)	90 ft Jib							Load Radius (ft.)	100 ft Jib						
	Boom Angle (deg.)								Boom Angle (deg.)						
	88	83	80	75	70	65	60		88	83	80	75	70	65	60
38	98,300 *							38							
40	97,900 *							40	87,100 *						
42	96,500 *							42	86,900 *						
44	92,300 *							44	86,400 *						
46	88,600 *							46	86,200 *						
48	85,300 *							48	84,600 *						
50	82,000 *							50	81,500 *						
55	74,700 *							55	74,200 *						
60	68,500 *	72,500						60	68,100 *	72,000					
65	62,100 *	65,600						65	61,900 *	65,200					
70	55,700 *	59,700	57,300					70	55,600 *	59,300					
75	50,300 *	54,600	52,900					75	50,000 *	54,400	52,000				
80	45,900 *	50,200	48,700					80	45,600 *	50,000	48,500				
85	42,100 *	46,500	45,100					85	41,900 *	46,200	44,900				
90	38,800 *	43,400	42,100	38,800				90	38,500 *	43,200	41,800				
95	35,700 *	40,500	39,200	36,800				95	35,500 *	40,300	39,000	35,900			
100		37,900	36,800	34,600				100	32,800 *	37,600	36,500	34,100			
105		35,700	34,600	32,400				105	30,600 *	35,400	34,300	32,100			
110		33,500	32,600	30,400	27,900			110		33,200	32,400	30,200			
115			30,600	28,800	27,100			115		31,500	30,600	28,600	26,000		
120				27,300	25,700			120		29,700	28,800	27,100	25,500		
125				25,700	24,400	21,800		125			27,300	25,500	24,000		
130					23,100	21,600		130				24,200	22,900	20,500	
135					22,000	20,500		135				23,100	21,800	20,200	
140						19,400		140					20,700	19,100	
145						18,500	16,500	145					19,800	18,200	
150							16,500	150						17,400	
155							15,600	155						16,700	
160							14,900	160						15,400	
165								165						14,700	
170								170						14,100	



CK2000-II Luffing Jib Rating Loads in Pounds

Refer to notes page 10

11 Counterweights (132,280 lbs.) + 2 Low Weights (22,050 lbs. x 2)

140' Boom								140' Boom							
Load Radius (ft.)	110 ft Jib							Load Radius (ft.)	120 ft Jib						
	Boom Angle (deg.)								Boom Angle (deg.)						
	88	83	80	75	70	65	60		88	83	80	75	70	65	60
44	78,000 *							44							
46	77,600 *							46	70,100 *						
48	77,200 *							48	69,700 *						
50	76,900 *							50	69,200 *						
55	73,400 *							55	68,300 *						
60	67,200 *							60	66,600 *						
65	61,700 *	64,500						65	61,500 *						
70	55,300 *	59,000						70	55,300 *	58,400					
75	50,000 *	54,000						75	49,600 *	54,000					
80	45,600 *	49,800	47,600					80	45,400 *	49,800					
85	41,600 *	46,000	44,500					85	41,400 *	46,000	43,600				
90	38,300 *	42,700	41,400					90	38,100 *	42,700	41,200				
95	35,400 *	39,900	38,500					95	35,300 *	39,900	38,300				
100	32,800 *	37,200	36,100	33,200				100	32,600 *	37,300	35,900				
105	30,600 *	35,000	33,900	31,700				105	30,400 *	35,000	33,700	30,800			
110	28,400 *	33,000	31,900	29,900				110	28,400 *	33,000	31,700	29,500			
115		31,000	30,200	28,200				115	26,500 *	31,100	29,900	27,900			
120		29,500	28,600	26,600	24,200			120	24,900 *	29,500	28,400	26,400			
125		27,900	27,100	25,300	23,800			125		27,900	26,800	24,900	22,400		
130		26,200 *	25,700	24,000	22,400			130		26,200 *	25,500	23,800	22,200		
135			24,400	22,700	21,300			135		24,500 *	24,200	22,400	21,100		
140				21,600	20,200	17,800		140		22,900 *	23,100	21,300	20,000		
145				20,700	19,400	17,800		145			22,000	20,500	19,100	16,700	
150					18,500	17,100		150				19,400	18,200	16,700	
155					17,600	16,300	14,100	155				18,700	17,400	16,000	
160						15,600	14,100	160					16,700	15,400	
165						14,900	13,600	165					15,800	14,500	12,300
170							13,000	170						14,100	12,300
175							12,300	175						13,400	12,100
180							11,900	180							11,400
185								185							11,000
190								190							10,500

140' Boom								140' Boom							
Load Radius (ft.)	130 ft Jib							Load Radius (ft.)	140 ft Jib						
	Boom Angle (deg.)								Boom Angle (deg.)						
	88	83	80	75	70	65	60		88	83	80	75	70	65	60
48	62,600 *							48							
50	62,400 *							50							
55	61,700 *							55	55,300 *						
60	61,100 *							60	54,700 *						
65	60,200 *							65	54,000 *						
70	55,700 *							70	53,100 *						
75	50,300 *	53,100						75	49,800 *	52,600					
80	45,800 *	49,600						80	45,400 *	49,100					
85	42,100 *	45,800	43,400					85	41,600 *	45,400					
90	38,500 *	42,500	41,000					90	38,300 *	42,300	39,900				
95	35,500 *	39,600	38,100					95	35,200 *	39,400	37,600				
100	33,000 *	37,200	35,700					100	32,600 *	36,800	35,200				
105	30,600 *	34,800	33,500					105	30,400 *	34,600	33,000				
110	28,600 *	32,800	31,500	28,600				110	28,200 *	32,600	31,000				
115	26,600 *	31,000	29,700	27,900				115	26,400 *	30,600	29,300	26,400			
120	25,100 *	29,300	28,200	26,400				120	24,600 *	29,100	27,700	26,000			
125	23,500 *	27,700	26,600	25,100				125	23,100 *	27,500	26,200	24,600			
130	22,000 *	26,400	25,300	23,800	20,900			130	21,800 *	26,000	24,900	23,300			
135		24,900 *	24,000	22,400	20,900			135	20,500 *	24,600 *	23,500	22,200	19,400		
140		23,300 *	22,900	21,300	19,800			140	19,400 *	23,100 *	22,400	21,100	19,400		
145		22,000 *	21,800	20,500	18,900			145		21,600 *	21,300	20,000	18,500		
150			20,700	19,600	18,000	15,600		150		20,500 *	20,500	19,100	17,600		
155			19,800	18,700	17,100	15,600		155		19,100 *	19,600	18,200	16,700	14,300	
160				17,800	16,300	14,900		160			18,700	17,400	16,000	14,300	
165				16,900	15,600	14,300		165			17,800	16,700	15,400	13,800	
170					14,900	13,600	11,200	170				16,000	14,500	13,200	
175					14,300	13,200	11,200	175				15,400	14,100	12,500	10,100
180						12,500	11,200	180					13,400	12,100	10,100
185						11,900	10,500	185					12,700	11,400	10,100
190							10,100	190						11,000	9,700
195							9,700	195						10,500	9,200
200							9,200	200							8,800
205								205							8,300
210								210							7,900

CK2000-II Luffing Jib Rating Loads in Pounds

Refer to notes page 10

11 Counterweights (132,280 lbs.) + 2 Low Weights (22,050 lbs. x 2)

Load Radius (ft.)	140' Boom							Load Radius (ft.)	140' Boom						
	150 ft Jib								160 ft Jib						
	Boom Angle (deg.)								Boom Angle (deg.)						
	88	83	80	75	70	65	60		88	83	80	75	70	65	60
55	49,800 *							55							
60	49,400 *							60	44,300 *						
65	48,200 *							65	41,600 *						
70	45,600 *							70	39,200 *						
75	43,200 *							75	37,000 *						
80	41,000 *	46,900 *						80	35,000 *						
85	39,000 *	44,300 *						85	33,200 *	38,100 *					
90	37,000 *	42,100 *						90	31,700 *	36,100 *					
95	35,000 *	39,200 *	36,800					95	30,200 *	34,100 *					
100	32,400 *	36,500 *	35,000					100	28,600 *	32,400 *	33,900				
105	30,200 *	34,300 *	32,800					105	27,800 *	31,300 *	32,600				
110	27,900 *	32,100 *	30,800					110	26,200 *	29,500 *	30,600				
115	26,200 *	30,400 *	29,100					115	25,400 *	28,400 *	28,800				
120	24,400 *	28,600 *	27,500	24,600				120	24,000 *	26,900 *	27,100				
125	22,900 *	27,300 *	26,000	24,400				125	23,300 *	26,000 *	25,700	22,900			
130	21,600 *	25,700 *	24,600	23,100				130	21,800 *	24,600 *	24,400	22,900			
135	20,200 *	24,400 *	23,300	22,000				135	20,500 *	23,800 *	23,100	21,600			
140	18,900 *	22,900 *	22,200	20,900	18,000			140	19,400 *	22,400 *	22,000	20,500			
145	17,800 *	21,300 *	21,100	19,800	18,000			145	18,200 *	21,100 *	20,900	19,600	16,700		
150	16,900 *	20,200 *	20,200	18,900	17,400			150	15,800 *	20,000 *	20,000	18,700	16,700		
155		18,900 *	19,400	18,000	16,500			155	13,800 *	18,700 *	18,900	17,800	16,300		
160		18,000 *	18,500	17,100	15,800			160	11,900 *	17,600 *	18,200	16,900	15,400		
165		16,700 *	17,600	16,500	14,900	12,300		165		16,000 *	17,400	16,300	14,700		
170			16,900	15,800	14,300	12,300		170		13,600 *	16,700	15,400	14,100	11,400	
175			15,600	15,200	13,600	12,300		175		11,200 *	15,600 *	14,700	13,400	11,400	
180				14,500	13,200	11,600		180			13,000 *	14,300	13,000	11,400	
185				13,800	12,500	11,200	8,500	185			10,300 *	13,600	12,300	10,800	
190					12,100	10,500	8,500	190				13,000	11,600	10,300	7,700
195					11,600	10,100	8,500	195				12,500	11,200	9,900	7,700
200						9,700	8,300	200					10,800	9,400	7,700
205							9,200	205					10,300	9,000	7,700
210								210						8,500	7,200
215								215						8,100	6,800
220								220							6,600
225								225							6,100
230								230							5,900
140' Boom															
Load Radius (ft.)	170 ft Jib														
	Boom Angle (deg.)														
	88	83	80	75	70	65	60								
60	38,800 *														
65	37,000 *														
70	34,800 *														
75	32,800 *														
80	31,000 *														
85	29,500 *	34,600 *													
90	28,000 *	31,900 *													
95	26,400 *	30,200 *													
100	25,300 *	28,600 *													
105	24,300 *	27,600 *	27,600 *												
110	22,900 *	26,000 *	26,200 *												
115	22,000 *	24,900 *	24,900 *												
120	20,900 *	23,500 *	23,800 *												
125	20,300 *	22,700 *	22,700 *												
130	19,100 *	21,600 *	21,800 *	22,000											
135	18,500 *	20,700 *	20,900 *	21,300											
140	17,600 *	19,600 *	20,100 *	20,200											
145	15,400 *	19,000 *	19,200 *	19,100											
150	13,200 *	18,000 *	18,500 *	18,200	16,300										
155	11,000 *	17,400 *	17,900 *	17,400	15,800										
160	9,200 *	16,700 *	17,000 *	16,500	15,200										
165	7,400 *	14,100 *	16,500 *	15,800	14,300										
170	5,900 *	11,400 *	15,900 *	15,200	13,600										
175		9,200 *	14,100 *	14,500	13,000	11,000									
180		7,200 *	11,400 *	13,800	12,500	11,000									
185		5,500 *	9,000 *	13,200	11,900	10,300									
190			6,800 *	12,700	11,200	9,900									
195			4,600 *	12,100	10,800	9,400									
200				9,200 *	10,300	9,000	7,200								
205				6,600 *	9,900	8,500	7,200								
210					9,400	8,100	6,800								
215					9,000	7,700	6,300								
220						7,200	6,100								
225						7,000	5,700								
230							5,500								
235							5,200								
240							4,800								



CK2000-II Luffing Jib Rating Loads in Pounds

Refer to notes page 10

11 Counterweights (132,280 lbs.) + 2 Low Weights (22,050 lbs. x 2)

150' Boom								150' Boom							
Load Radius (ft.)	70 ft Jib							Load Radius (ft.)	80 ft Jib						
	Boom Angle (deg.)								Boom Angle (deg.)						
	88	83	80	75	70	65	60		88	83	80	75	70	65	60
32	104,400 *							32							
34	104,400 *							34							
36	104,200 *							36	100,700 *						
38	99,600 *							38	98,500 *						
40	95,200 *							40	94,300 *						
42	91,400 *							42	90,300 *						
44	87,700 *							44	86,600 *						
46	84,400 *							46	83,300 *						
48	81,100 *							48	80,000 *						
50	78,200 *							50	77,100 *						
55	71,600 *	81,300						55	70,500 *	80,900					
60	65,900 *	72,700						60	65,000 *	72,500					
65	61,000 *	65,600	63,000					65	60,100 *	65,400					
70	55,900 *	59,700	57,500					70	55,900 *	59,500	56,800				
75	50,500 *	54,600	52,600					75	50,700 *	54,400	52,600				
80		50,400	48,700					80	46,000 *	50,200	48,500				
85		46,700	44,900	41,800				85	42,100 *	46,500	44,900				
90		43,400	41,800	39,400				90		43,200	41,800	38,500			
95			39,000	36,800				95		40,300	39,000	36,300			
100				34,600	31,700			100		37,600	36,500	34,100			
105				32,400	30,200			105			34,300	31,900	29,300		
110				30,400	28,400			110				30,200	28,400		
115					26,800			115				28,400	26,600		
120					25,300	23,100		120				26,800	25,300		
125					24,000	22,700		125					24,000	21,300	
130						21,300		130						21,100	
135						20,500	18,000	135						21,600	
140							18,000	140						18,900	
145							17,100	145						18,000	
150							16,300	150						15,800	
155								155						15,200	

150' Boom								150' Boom							
Load Radius (ft.)	90 ft Jib							Load Radius (ft.)	100 ft Jib						
	Boom Angle (deg.)								Boom Angle (deg.)						
	88	83	80	75	70	65	60		88	83	80	75	70	65	60
38	91,300 *							38							
40	90,400 *							40	81,600 *						
42	89,700 *							42	81,100 *						
44	85,900 *							44	80,700 *						
46	82,600 *							46	80,000 *						
48	79,500 *							48	78,900 *						
50	76,400 *							50	75,800 *						
55	69,800 *							55	69,400 *						
60	64,300 *	71,800						60	63,700 *						
65	59,500 *	65,200						65	58,800 *	64,500					
70	55,300 *	59,300						70	54,600 *	59,000					
75	50,700 *	54,200	52,000					75	50,500 *	54,000	51,500				
80	46,100 *	50,000	48,200					80	45,900 *	49,800	48,000				
85	42,300 *	46,200	44,700					85	42,100 *	46,000	44,500				
90	39,000 *	42,900	41,600	38,100				90	38,800 *	42,700	41,400				
95	35,900 *	40,100	38,800	36,100				95	35,700 *	39,900	38,500	35,200			
100		37,600	36,300	33,900				100	33,100 *	37,400	36,100	33,500			
105		35,200	34,100	31,700				105	30,800 *	35,000	33,900	31,500			
110		33,200	32,100	29,900	27,100			110		33,000	31,900	29,700			
115			30,400	28,200	26,400			115		31,300	30,200	27,900	25,300		
120				26,600	25,100			120		29,500	28,600	26,400	24,600		
125				25,300	23,800			125			27,100	25,100	23,500		
130				24,000	22,400	20,000		130				23,800	22,200		
135					21,300	19,800		135				22,700	21,100	18,500	
140					20,500	18,700		140					20,200	18,500	
145					19,400	17,800		145					19,100	17,600	
150						17,100	14,700	150					18,200	16,700	
155						16,300	14,700	155						16,000	
160							14,300	160						15,400	
165							13,600	165						14,700	
170								170						13,200	
175								175						12,100	



CK2000-II Luffing Jib Rating Loads in Pounds

Refer to notes page 10

11 Counterweights (132,280 lbs.) + 2 Low Weights (22,050 lbs. x 2)

150' Boom								150' Boom							
Load Radius (ft.)	110 ft Jib							Load Radius (ft.)	120 ft Jib						
	Boom Angle (deg.)								Boom Angle (deg.)						
	88	83	80	75	70	65	60		88	83	80	75	70	65	60
44	73,200 *							44							
46	72,800 *							46	65,900 *						
48	72,300 *							48	65,700 *						
50	71,600 *							50	65,000 *						
55	68,300 *							55	63,900 *						
60	62,800 *							60	62,100 *						
65	57,900 *	64,100						65	57,300 *						
70	53,700 *	58,600						70	53,100 *	57,900					
75	50,000 *	53,500						75	49,600 *	53,700					
80	45,900 *	49,300	46,900					80	45,600 *	49,300					
85	42,100 *	45,600	44,000					85	41,700 *	45,800	43,200				
90	38,800 *	42,300	41,000					90	38,400 *	42,500	40,700				
95	35,700 *	39,600	38,100					95	35,300 *	39,600	37,900				
100	33,100 *	37,000	35,700	32,600				100	32,800 *	37,000	35,400				
105	30,900 *	34,800	33,500	31,000				105	30,400 *	34,800	33,200	30,200			
110	28,900 *	32,800	31,700	29,300				110	28,400 *	32,800	31,300	29,100			
115	26,900 *	30,800	29,700	27,500				115	26,500 *	31,000	29,500	27,300			
120		29,300	28,200	26,000				120	24,900 *	29,300	27,900	25,700			
125		27,700	26,600	24,600	22,000			125		27,700	26,400	24,400			
130		26,200	25,300	23,300	21,800			130		26,400	25,100	23,100	20,700		
135			24,200	22,200	20,700			135		25,100	24,000	22,000	20,500		
140				21,100	19,800			140		23,800 *	22,700	20,900	19,600		
145				20,200	18,700	16,300		145			21,800	20,000	18,500		
150					18,000	16,300		150				19,100	17,600	15,200	
155					17,100	15,600		155				18,200	16,900	15,200	
160					16,300	14,900	12,300	160					16,000	14,700	
165						14,300	12,300	165					15,400	14,100	
170						13,600	12,100	170					14,700	13,400	
175						13,000	11,400	175						12,700	
180							11,000	180						12,100	
185							10,500	185						11,600	
190								190						9,700	
195								195						9,200	

150' Boom								150' Boom							
Load Radius (ft.)	130 ft Jib							Load Radius (ft.)	140 ft Jib						
	Boom Angle (deg.)								Boom Angle (deg.)						
	88	83	80	75	70	65	60		88	83	80	75	70	65	60
48	58,800 *							48							
50	58,600 *							50							
55	58,200 *							55	52,200 *						
60	57,300 *							60	52,000 *						
65	56,700 *							65	51,600 *						
70	52,600 *							70	50,900 *						
75	48,900 *	52,600						75	48,000 *						
80	45,600 *	49,100						80	44,700 *	48,000					
85	42,300 *	45,400						85	41,800 *	45,100					
90	38,800 *	42,300	39,600					90	38,500 *	41,800	39,200				
95	35,700 *	39,400	37,600					95	35,400 *	39,000	37,200				
100	33,100 *	36,800	35,200					100	32,800 *	36,500	34,800				
105	30,800 *	34,600	33,000					105	30,400 *	34,300	32,600				
110	28,600 *	32,600	31,000	27,900				110	28,400 *	32,100	30,800				
115	26,800 *	30,800	29,300	27,300				115	26,400 *	30,400	29,100	26,000			
120	25,100 *	29,100	27,700	26,000				120	24,700 *	28,600	27,300	25,500			
125	23,500 *	27,500	26,200	24,400				125	23,100 *	27,100	26,000	24,200			
130	22,200 *	26,200	24,900	23,300				130	21,800 *	25,700	24,400	22,900			
135		24,900	23,800	22,000	19,100			135	20,500 *	24,400	23,300	21,800			
140		23,500	22,400	20,900	19,100			140	19,400 *	23,300 *	22,200	20,700	17,800		
145		22,200 *	21,600	20,000	18,200			145		22,000 *	21,100	19,600	17,800		
150		20,900 *	20,500	19,100	17,400			150		20,700 *	20,200	18,700	16,900		
155			19,600	18,200	16,700	13,800		155		19,600 *	19,100	17,800	16,300		
160				17,400	15,800	13,800		160		18,200 *	18,500	17,100	15,400	12,500	
165				16,700	15,200	13,600		165			17,600	16,300	14,700	12,500	
170					14,500	13,000		170				15,600	14,100	12,500	
175					13,800	12,300	9,700	175				14,900	13,400	11,900	
180					11,900	9,700		180					13,000	11,400	
185						11,200	9,700	185					12,300	10,800	
190						10,800	9,400	190					11,900	10,300	
195						10,300	9,000	195						9,900	
200							8,500	200						9,400	
205							8,100	205						9,000	
210								210						7,200	
215								215						6,800	



CK2000-II Luffing Jib Rating Loads in Pounds

Refer to notes page 10

11 Counterweights (132,280 lbs.) + 2 Low Weights (22,050 lbs. x 2)

150' Boom								150' Boom							
Load Radius (ft.)	150 ft Jib							Load Radius (ft.)	160 ft Jib						
	Boom Angle (deg.)								Boom Angle (deg.)						
	88	83	80	75	70	65	60		88	83	80	75	70	65	60
55	47,600 *							55							
60	47,000 *							60	44,300 *						
65	46,300 *							65	41,600 *						
70	45,200 *							70	39,200 *						
75	43,200 *							75	37,200 *						
80	41,000 *	47,800						80	35,200 *						
85	39,000 *	44,900						85	33,200 *	38,500 *					
90	37,200 *	41,600						90	31,700 *	36,600 *					
95	35,200 *	38,800	36,100					95	30,200 *	34,600 *					
100	32,600 *	36,300	34,600					100	28,800 *	32,800 *	33,500				
105	30,200 *	33,900	32,400					105	27,800 *	31,500 *	32,100				
110	28,200 *	31,900	30,400					110	26,200 *	29,700 *	30,200				
115	26,200 *	30,200	28,600					115	25,400 *	28,700 *	28,400				
120	24,400 *	28,400	27,100	24,000				120	24,000 *	27,100 *	26,800				
125	22,900 *	26,800	25,500	23,800				125	23,300 *	26,200 *	25,300	22,400			
130	21,600 *	25,500	24,200	22,700				130	22,000 *	24,900 *	24,000	22,200			
135	20,200 *	24,200	23,100	21,300				135	20,700 *	24,000 *	22,900	21,100			
140	19,100 *	23,100	22,000	20,500				140	19,400 *	22,900 *	21,600	20,000			
145	18,000 *	21,800 *	20,900	19,400	16,500			145	17,800 *	21,600 *	20,700	19,100			
150	16,900 *	20,500 *	19,800	18,500	16,500			150	15,600 *	20,200 *	19,600	18,200	15,400		
155		19,400 *	18,900	17,600	16,000			155	13,400 *	18,900 *	18,700	17,400	15,400		
160		18,200 *	18,000	16,700	15,200			160	11,600 *	17,800 *	17,800	16,500	14,900		
165		16,700 *	17,400	16,000	14,500			165		15,800 *	17,100	15,800	14,300		
170		14,300 *	16,700	15,400	13,800	11,000		170		13,400 *	16,300	15,200	13,600		
175			15,800	14,700	13,200	11,000		175		11,200 *	15,600	14,500	13,000	9,900	
180				14,100	12,700	11,000		180		9,000 *	13,000 *	13,800	12,300	9,900	
185				13,400	12,100	10,500		185			10,500 *	13,200	11,600	9,900	
190					11,600	9,900	7,200	190				12,700	11,200	9,700	
195					11,000	9,400	7,200	195				12,100	10,800	9,200	
200					10,500	9,000	7,200	200					10,300	8,800	
205						8,500	7,200	205					9,700	8,300	
210						8,300	6,800	210					9,200	7,900	
215						7,900	6,600	215						7,400	
220							6,100	220						7,200	
225							5,900	225						6,800	
230								230						5,200	
235								235						5,000	

150' Boom								150' Boom							
Load Radius (ft.)	170 ft Jib							Load Radius (ft.)	170 ft Jib						
	Boom Angle (deg.)								Boom Angle (deg.)						
	88	83	80	75	70	65	60		88	83	80	75	70	65	60
60	39,000 *							60							
65	37,200 *							65							
70	35,000 *							70							
75	33,000 *							75							
80	31,000 *							80							
85	29,500 *							85							
90	28,000 *	32,400 *						90							
95	26,600 *	30,600 *						95							
100	25,300 *	29,100 *						100							
105	24,500 *	27,800 *	30,400 *					105							
110	22,900 *	26,200 *	28,900 *					110							
115	22,000 *	25,100 *	27,300 *					115							
120	20,900 *	23,800 *	25,800 *					120							
125	20,300 *	22,900 *	24,700 *					125							
130	19,100 *	21,600 *	23,500 *	21,600				130							
135	18,500 *	20,900 *	22,400 *	20,700				135							
140	17,600 *	19,800 *	21,300 *	19,800				140							
145	15,200 *	19,200 *	20,200 *	18,700				145							
150	12,700 *	18,300 *	19,400	17,800				150							
155	10,800 *	17,600 *	18,500	16,900	14,900			155							
160	8,800 *	16,700 *	17,600	16,300	14,500			160							
165	7,000 *	13,800 *	16,700	15,400	13,800			165							
170	5,500 *	11,400 *	16,000	14,700	13,200			170							
175		9,200 *	14,100 *	14,100	12,500			175							
180		7,000 *	11,400 *	13,400	11,900	9,700		180							
185		5,200 *	9,000 *	13,000	11,200	9,700		185							
190			6,800 *	12,300	10,800	9,200		190							
195			4,600 *	11,900	10,300	8,800		195							
200				9,900 *	9,700	8,300		200							
205				7,000 *	9,200	7,900	5,900	205							
210					8,800	7,400	5,900	210							
215					8,500	7,000	5,700	215							
220						6,800	5,500	220							
225						6,300	5,000	225							
230						6,100	4,800	230							
235							4,600	235							

CK2000-II Luffing Jib Rating Loads in Pounds

Refer to notes page 10

11 Counterweights (132,280 lbs.) + 2 Low Weights (22,050 lbs. x 2)

160' Boom								160' Boom							
Load Radius (ft.)	70 ft Jib							Load Radius (ft.)	80 ft Jib						
	Boom Angle (deg.)								Boom Angle (deg.)						
	88	83	80	75	70	65	60		88	83	80	75	70	65	60
34	100,700 *							34							
36	96,300 *							36	93,500 *						
38	92,100 *							38	90,800 *						
40	88,100 *							40	87,000 *						
42	84,600 *							42	83,500 *						
44	81,300 *							44	80,200 *						
46	78,200 *							46	77,100 *						
48	75,600 *							48	74,200 *						
50	72,700 *							50	71,600 *						
55	66,700 *	80,600						55	65,600 *						
60	61,700 *	72,300						60	60,600 *	71,600					
65	57,300 *	65,200	62,300					65	56,200 *	64,800					
70	53,300 *	59,300	57,000					70	52,200 *	59,000	56,200				
75	50,000 *	54,400	52,200					75	48,900 *	54,000	52,000				
80	45,600 *	50,000	48,000					80	45,800 *	49,800	48,000				
85		46,200	44,500	41,200				85	42,300 *	46,000	44,500				
90		43,200	41,400	38,800				90	38,800 *	42,700	41,400	37,600			
95			38,500	36,100				95		40,100	38,500	35,700			
100			36,100	33,900				100		37,400	36,100	33,500			
105				31,700	28,800			105			33,900	31,500			
110				29,900	27,900			110				29,500	26,600		
115				28,200	26,400			115				27,900	26,000		
120					25,100	22,200		120				26,400	24,600		
125					23,800	21,800		125				25,100	23,300		
130						20,700		130					22,000	19,400	
135						19,600		135					20,900	19,100	
140							16,300	140						18,200	
145							16,300	145						17,400	
150							15,600	150						14,900	
155							14,700	155						14,300	
160								160						13,600	
165								165						13,000	

160' Boom								160' Boom							
Load Radius (ft.)	90 ft Jib							Load Radius (ft.)	100 ft Jib						
	Boom Angle (deg.)								Boom Angle (deg.)						
	88	83	80	75	70	65	60		88	83	80	75	70	65	60
38	84,700 *							38							
40	83,800 *							40							
42	82,600 *							42	75,800 *						
44	79,300 *							44	75,200 *						
46	76,200 *							46	74,500 *						
48	73,600 *							48	72,500 *						
50	70,700 *							50	69,800 *						
55	64,800 *							55	64,100 *						
60	59,700 *	71,400						60	59,000 *						
65	55,300 *	64,500						65	54,600 *	64,100					
70	51,500 *	58,800						70	50,900 *	58,600					
75	48,000 *	53,700	51,100					75	47,600 *	53,500					
80	45,100 *	49,600	47,800					80	44,500 *	49,300	46,700				
85	42,300 *	45,800	44,300					85	41,800 *	45,600	43,800				
90	39,000 *	42,700	41,200					90	39,000 *	42,500	40,700				
95	35,900 *	39,900	38,300	34,800				95	35,700 *	39,600	38,100				
100		37,200	35,900	33,200				100	33,300 *	37,000	35,700	32,400			
105		35,000	33,700	31,300				105	30,900 *	34,800	33,500	30,800			
110		33,000	31,700	29,300				110		32,800	31,500	29,100			
115			29,900	27,700	24,900			115		31,000	29,700	27,500			
120				26,200	24,400			120		29,300	28,200	26,000	23,100		
125				24,900	23,100			125			26,600	24,600	22,900		
130				23,500	21,800			130				23,300	21,600		
135				22,400	20,900	18,000		135				22,200	20,500		
140					19,800	18,000		140				21,100	19,600	16,900	
145					18,900	17,100		145					18,700	16,900	
150						16,500		150					17,800	16,000	
155						15,600	13,000	155					16,900	15,400	
160							13,000	160						14,700	11,900
165							12,700	165						14,100	11,900
170							12,100	170							11,600
175								175							11,200
180								180							10,800



CK2000-II Luffing Jib Rating Loads in Pounds

Refer to notes page 10

11 Counterweights (132,280 lbs.) + 2 Low Weights (22,050 lbs. x 2)

160' Boom								160' Boom							
Load Radius (ft.)	110 ft Jib							Load Radius (ft.)	120 ft Jib						
	Boom Angle (deg.)								Boom Angle (deg.)						
	88	83	80	75	70	65	60		88	83	80	75	70	65	60
44	68,300 *							44							
46	67,900 *							46	61,900 *						
48	67,500 *							48	61,700 *						
50	66,800 *							50	61,300 *						
55	63,000 *							55	60,000 *						
60	57,900 *							60	57,300 *						
65	53,500 *							65	52,900 *						
70	49,800 *	57,700						70	49,100 *	57,500					
75	46,500 *	53,500						75	45,800 *	53,300					
80	43,400 *	49,300	46,200					80	42,700 *	49,100					
85	40,700 *	45,600	43,600					85	40,100 *	45,400	42,500				
90	38,300 *	42,300	40,500					90	37,600 *	42,100	40,100				
95	35,700 *	39,600	37,600					95	35,500 *	39,400	37,400				
100	33,300 *	37,000	35,200					100	32,800 *	36,800	35,000				
105	30,900 *	34,800	33,200	29,700				105	30,600 *	34,600	32,800				
110	28,900 *	32,800	31,300	28,600	21,100			110	28,700 *	32,600	31,000	27,700			
115	26,900 *	30,800	29,500	27,100	21,100			115	26,700 *	30,600	29,300	27,100			
120		29,300	27,700	25,500				120	24,900 *	29,100	27,500	25,500			
125		27,700	26,400	24,200	21,300			125	23,400 *	27,500	26,200	24,200			
130		26,400	25,100	22,900	21,100			130		26,200	24,900	22,900	19,800		
135			23,800	21,800	20,000			135		24,900	23,500	21,800	19,800		
140				20,700	19,100			140		23,500	22,400	20,700	18,900		
145				19,800	18,200	15,400		145			21,300	19,800	18,000		
150				18,900	17,400	15,400		150				18,900	17,100		
155					16,500	14,900		155				18,000	16,300	13,400	
160					15,800	14,300		160				17,100	15,600	13,400	
165						13,600	10,800	165					14,900	13,200	
170							10,800	170					14,300	12,500	
175							12,300	175					13,600	12,100	
180								180						11,400	
185								185						11,000	
190								190						9,000	
195								195						8,500	
200								200						8,100	

160' Boom								160' Boom							
Load Radius (ft.)	130 ft Jib							Load Radius (ft.)	140 ft Jib						
	Boom Angle (deg.)								Boom Angle (deg.)						
	88	83	80	75	70	65	60		88	83	80	75	70	65	60
50	55,600 *							50							
55	54,700 *							55	49,800 *						
60	54,000 *							60	48,900 *						
65	52,200 *							65	48,300 *						
70	48,500 *							70	47,300 *						
75	45,100 *	52,200						75	44,000 *						
80	42,100 *	48,700						80	41,200 *	47,600					
85	39,400 *	45,100						85	38,500 *	44,700					
90	37,000 *	41,800	39,200					90	36,100 *	41,600					
95	35,000 *	39,000	37,200					95	34,100 *	38,800	36,100				
100	33,000 *	36,500	34,800					100	32,100 *	36,100	34,300				
105	31,000 *	34,300	32,600					105	30,400 *	33,900	32,100				
110	28,800 *	32,400	30,600					110	28,400 *	31,900	30,400				
115	26,800 *	30,400	28,800	25,700				115	26,500 *	30,200	28,600				
120	25,100 *	28,800	27,300	25,300				120	24,900 *	28,400	27,100	23,800			
125	23,500 *	27,300	26,000	24,000				125	23,300 *	26,800	25,500	23,500			
130	22,200 *	26,000	24,600	22,700				130	21,800 *	25,500	24,200	22,400			
135		24,600	23,300	21,600	18,500			135	20,500 *	24,200	22,900	21,100			
140		23,300	22,200	20,500	18,500			140	19,400 *	23,100	21,800	20,200			
145		22,400	21,100	19,600	17,600			145		22,000	20,900	19,100	16,300		
150		21,300 *	20,200	18,700	16,900			150		20,900 *	19,800	18,200	16,300		
155			19,400	17,800	16,000			155		19,800 *	18,900	17,400	15,600		
160				16,900	15,400	12,300		160		18,700 *	18,000	16,700	14,900		
165				16,300	14,700	12,300		165			17,400	15,800	14,300	11,200	
170				15,600	14,100	12,300		170				15,200	13,600	11,200	
175					13,400	11,600		175				14,500	13,000	11,200	
180					12,700	11,200	8,300	180				14,100	12,300	10,500	
185					12,300	10,500	8,300	185					11,900	10,100	7,200
190						10,100	8,300	190					11,200	9,700	7,200
195							9,700	195					10,800	9,200	7,200
200								200						8,800	7,200
205								205						8,300	6,800
210								210							6,600
215								215							6,100
220								220							5,900

CK2000-II Luffing Jib Rating Loads in Pounds

Refer to notes page 10

11 Counterweights (132,280 lbs.) + 2 Low Weights (22,050 lbs. x 2)

160' Boom								160' Boom							
Load Radius (ft.)	150 ft Jib							Load Radius (ft.)	160 ft Jib						
	Boom Angle (deg.)								Boom Angle (deg.)						
	88	83	80	75	70	65	60		88	83	80	75	70	65	60
55	45,000 *							55							
60	44,500 *							60	41,200 *						
65	44,100 *							65	40,100 *						
70	43,700 *							70	39,000 *						
75	42,800 *							75	37,200 *						
80	40,500 *	46,900						80	35,200 *						
85	37,900 *	44,000						85	33,500 *	39,900 *					
90	35,400 *	41,200						90	31,700 *	37,000 *					
95	33,500 *	38,500						95	30,200 *	35,000 *					
100	31,500 *	35,900	33,200					100	28,800 *	33,200 *	33,000				
105	29,700 *	33,700	31,900					105	27,800 *	32,000 *	31,700				
110	28,200 *	31,700	29,900					110	26,200 *	30,200 *	29,700				
115	26,400 *	29,900	28,400					115	25,400 *	28,900 *	27,900				
120	24,600 *	28,200	26,600					120	24,200 *	27,300 *	26,400				
125	23,100 *	26,600	25,300	22,200				125	23,400 *	26,400 *	25,100				
130	21,600 *	25,300	24,000	22,000				130	22,000 *	25,100	23,800	20,700			
135	20,200 *	24,000	22,700	20,900				135	20,700 *	23,800	22,400	20,700			
140	19,100 *	22,900	21,600	19,800				140	19,400 *	22,700	21,300	19,600			
145	18,000 *	21,800	20,500	18,900				145	17,600 *	21,600	20,200	18,700			
150	16,700 *	20,700 *	19,600	18,000	14,900			150	15,200 *	20,500 *	19,400	17,800			
155		19,600 *	18,700	17,100	14,900			155	13,200 *	19,400 *	18,500	16,900	13,600		
160		18,500 *	17,800	16,500	14,700			160	11,200 *	18,200 *	17,600	16,000	13,600		
165		16,700 *	17,100	15,600	14,100			165		15,800 *	16,700	15,400	13,600		
170		14,100 *	16,300	14,900	13,200	10,100		170		13,400 *	16,000	14,700	13,000		
175			15,600	14,300	12,700	10,100		175		11,000 *	15,400	14,100	12,300		
180				13,600	12,100	10,100		180		9,000 *	13,200 *	13,400	11,600	8,500	
185				13,200	11,400	9,900		185			10,500 *	13,000	11,200	8,500	
190				12,500	11,000	9,200		190				12,300	10,500	8,500	
195					10,500	8,800	6,100	195				11,900	10,100	8,500	
200					10,100	8,300	6,100	200				10,800	9,700	8,100	
205					9,700	7,900	6,100	205					9,200	7,700	
210						7,700	6,100	210					8,800	7,200	
215						7,200	5,900	215					8,300	7,000	
220							5,500	220						6,600	
225							5,200	225						6,100	
230							4,800	230						4,600	

160' Boom								160' Boom							
Load Radius (ft.)	170 ft Jib							Load Radius (ft.)	170 ft Jib						
	Boom Angle (deg.)								Boom Angle (deg.)						
	88	83	80	75	70	65	60		88	83	80	75	70	65	60
60	38,100 *														
65	36,600 *														
70	35,000 *														
75	33,000 *														
80	31,300 *														
85	29,500 *														
90	28,000 *	32,800 *													
95	26,600 *	31,000 *													
100	25,300 *	29,300 *													
105	24,500 *	28,200 *	30,900 *												
110	22,900 *	26,400 *	29,300 *												
115	22,300 *	25,400 *	27,700 *												
120	20,900 *	24,000 *	26,000 *												
125	20,300 *	23,100 *	24,600												
130	19,100 *	21,800 *	23,300												
135	18,500 *	21,200 *	22,000	19,800											
140	17,400 *	20,000 *	20,900	19,100											
145	14,700 *	19,400 *	20,000	18,200											
150	12,500 *	18,500 *	18,900	17,400											
155	10,300 *	17,900 *	18,000	16,500											
160	8,300 *	16,500 *	17,100	15,800	13,400										
165	6,600 *	13,800 *	16,500	14,900	13,200										
170	5,000 *	11,200 *	15,800	14,300	12,500										
175		9,000 *	14,300 *	13,600	11,900										
180		6,800 *	11,400 *	13,200	11,200										
185		5,000 *	9,000 *	12,500	10,800	8,500									
190		3,300 *	6,800 *	12,100	10,100	8,300									
195			4,600 *	11,400	9,700	7,900									
200				10,300 *	9,200	7,700									
205				7,400 *	8,800	7,200									
210				4,800 *	8,300	6,800									
215					7,900	6,300									
220					7,700	6,100									
225					5,000 *	5,700									
230						5,500									
235						5,200									

CK2000-II Luffing Jib Rating Loads in Pounds

Refer to notes page 10

11 Counterweights (132,280 lbs.) + 2 Low Weights (22,050 lbs. x 2)

170' Boom								170' Boom							
Load Radius (ft.)	70 ft Jib							Load Radius (ft.)	80 ft Jib						
	Boom Angle (deg.)								Boom Angle (deg.)						
	88	83	80	75	70	65	60		88	83	80	75	70	65	60
34	92,100 *							34							
36	88,100 *							36	85,700 *						
38	84,400 *							38	82,400 *						
40	80,900 *							40	78,900 *						
42	77,800 *							42	75,800 *						
44	74,700 *							44	72,900 *						
46	72,000 *							46	70,300 *						
48	69,400 *							48	67,900 *						
50	67,000 *							50	65,400 *						
55	61,700 *	75,800 *						55	60,100 *						
60	57,000 *	69,200 *						60	55,700 *	67,600 *					
65	53,100 *	63,700						65	51,800 *	62,300 *					
70	49,600 *	58,800	55,900					70	48,200 *	57,500	55,500				
75	46,500 *	54,000	51,800					75	45,100 *	53,300	51,500				
80	43,800 *	49,800	47,800					80	42,500 *	49,300	47,300				
85		46,000	44,300					85	40,100 *	45,600	43,800				
90		42,700	41,200	37,400				90	38,100 *	42,500	40,700				
95		39,900	38,300	35,400				95		39,600	38,100	34,300			
100			35,900	33,200				100		37,200	35,700	32,800			
105				31,300				105			33,500	30,800			
110				29,300	26,900			110			31,500	29,100			
115				27,700	25,700			115				27,300	24,200		
120					24,200			120				25,700	23,800		
125					22,900	20,000		125				24,400	22,700		
130					21,800	19,800		130					21,300		
135						18,900		135					20,500	18,100	
140						18,000		140					19,400	17,600	
145						17,100	14,300	145						16,700	
150							14,300	150						15,800	13,000
155							13,800	155						15,200	13,000
160							13,200	160							12,700
165								165							12,100
170								170							11,400

170' Boom								170' Boom							
Load Radius (ft.)	90 ft Jib							Load Radius (ft.)	100 ft Jib						
	Boom Angle (deg.)								Boom Angle (deg.)						
	88	83	80	75	70	65	60		88	83	80	75	70	65	60
38	78,500 *							38							
40	77,800 *							40							
42	75,100 *							42	70,300 *						
44	72,300 *							44	69,700 *						
46	69,400 *							46	68,700 *						
48	67,000 *							48	66,100 *						
50	64,500 *							50	63,900 *						
55	59,500 *							55	58,600 *						
60	54,800 *							60	54,000 *						
65	50,900 *	61,200 *						65	50,200 *	60,400 *					
70	47,600 *	56,600 *						70	46,700 *	55,700 *					
75	44,500 *	52,400	50,400					75	43,600 *	51,500 *					
80	41,600 *	48,900	47,100					80	41,000 *	48,000	46,200				
85	39,200 *	45,600	43,600					85	38,500 *	44,900	43,400				
90	37,200 *	42,300	40,500					90	36,300 *	42,100	40,300				
95	35,200 *	39,400	37,900					95	34,300 *	39,200	37,600				
100		37,000	35,400	31,900				100	32,600 *	36,800	35,200	31,500			
105		34,800	33,200	30,600				105	31,000 *	34,600	33,000	30,200			
110		32,600	31,300	28,600				110		32,400	31,000	28,400			
115			29,700	27,100				115		30,600	29,500	26,800			
120			27,900	25,500	22,700			120		29,100	27,700	25,300			
125				24,200	22,400			125			29,100	24,600	21,100		
130				23,100	21,100			130				22,900	20,900		
135				21,800	20,200			135				21,600	19,800		
140					19,100	16,300		140				20,700	18,900		
145					18,200	16,300		145				19,600	18,000	14,900	
150					17,400	15,600		150					17,100	14,900	
155						14,900		155					16,300	14,500	
160						14,300	11,200	160						13,800	
165						13,600	11,200	165						13,200	10,300
170							11,200	170						12,500	10,300
175							10,500	175							10,300
180								180							9,900
185								185							9,200

CK2000-II Luffing Jib Rating Loads in Pounds

Refer to notes page 10

11 Counterweights (132,280 lbs.) + 2 Low Weights (22,050 lbs. x 2)

170' Boom								170' Boom							
Load Radius (ft.)	110 ft Jib							Load Radius (ft.)	120 ft Jib						
	Boom Angle (deg.)								Boom Angle (deg.)						
	88	83	80	75	70	65	60		88	83	80	75	70	65	60
44	63,900 *							44							
46	63,500 *							46	58,000 *						
48	63,100 *							48	57,800 *						
50	62,600 *							50	57,300 *						
55	57,500 *							55	56,400 *						
60	52,900 *							60	52,200 *						
65	48,900 *							65	48,200 *						
70	45,600 *	53,500 *						70	44,700 *						
75	42,500 *	50,000 *						75	41,800 *	48,900 *					
80	39,900 *	46,500 *						80	39,200 *	45,800 *					
85	37,400 *	43,400 *	42,300					85	36,800 *	42,700 *					
90	35,200 *	40,700 *	39,900					90	34,600 *	40,100 *	39,000				
95	33,200 *	38,300 *	37,200					95	32,600 *	37,600 *	37,000				
100	31,500 *	36,100	34,800					100	30,800 *	35,400 *	34,600				
105	29,900 *	34,100	32,800	29,100				105	29,300 *	33,500 *	32,400				
110	28,400 *	32,400	30,800	28,400				110	27,700 *	31,700	30,600	27,100			
115	26,900 *	30,600	29,100	26,800				115	26,400 *	29,900	28,800	26,400			
120		29,100	27,500	25,300				120	24,900 *	28,400	27,300	25,100			
125		27,500	26,000	24,000				125	23,400 *	27,100	25,700	23,800			
130		26,000	24,600	22,700	19,400			130		25,700	24,400	22,400			
135			23,500	21,600	19,400			135		24,600	23,300	21,300	18,000		
140			22,400	20,500	18,500			140		23,300	22,200	20,200	18,000		
145				19,600	17,600			145			21,100	19,400	17,400		
150				18,700	16,700	13,600		150			20,000	18,500	16,500		
155				17,800	16,000	13,600		155				17,600	15,800	12,500	
160					15,200	13,400		160				16,700	14,900	12,500	
165						14,500		165				16,000	14,300	12,300	
170							12,100	9,200					13,600	11,900	
175								11,600	9,200				13,200	11,200	
180								11,000	9,200					10,800	7,700
185									8,800					10,100	7,700
190										8,300				9,700	7,700
195											7,900				7,700
200															7,200
205															6,800

170' Boom								170' Boom							
Load Radius (ft.)	130 ft Jib							Load Radius (ft.)	140 ft Jib						
	Boom Angle (deg.)								Boom Angle (deg.)						
	88	83	80	75	70	65	60		88	83	80	75	70	65	60
50	52,000 *							50							
55	51,400 *							55	46,700 *						
60	50,700 *							60	46,100 *						
65	47,600 *							65	45,400 *						
70	44,000 *							70	42,900 *						
75	41,000 *	48,000 *						75	40,100 *						
80	38,300 *	44,900 *						80	37,400 *	43,400 *					
85	35,900 *	41,800 *						85	35,000 *	41,000 *					
90	33,900 *	39,200 *	38,500					90	33,000 *	38,100 *					
95	31,900 *	36,800 *	36,800					95	31,000 *	35,900 *	35,400				
100	30,200 *	34,600 *	34,300					100	29,300 *	33,700 *	33,900				
105	28,400 *	32,600 *	32,100					105	27,700 *	31,700 *	31,700				
110	27,100 *	30,800 *	30,200					110	26,200 *	29,900 *	29,900				
115	25,500 *	29,300 *	28,600	25,100				115	24,900 *	28,400 *	28,200				
120	24,400 *	27,700 *	26,800	24,600				120	23,800 *	26,800 *	26,600	23,100			
125	23,300 *	26,400 *	25,500	23,300				125	22,700 *	25,500 *	25,100	23,100			
130	22,200 *	25,100 *	24,200	22,200				130	21,600 *	24,200 *	23,800	21,800			
135	20,900 *	24,000	22,900	21,100				135	20,700 *	23,100 *	22,700	20,700			
140		22,900	21,800	20,000	16,700			140	19,400 *	22,000 *	21,600	19,600			
145		22,000	20,900	19,100	16,700			145		20,900 *	20,500	18,700	15,400		
150		21,100	19,800	18,200	16,300			150		20,000 *	19,600	17,800	15,400		
155			18,900	17,400	15,400			155			19,100 *	18,700	16,900	14,900	
160			18,200	16,500	14,700			160			18,500 *	17,800	16,300	14,300	
165				15,800	14,100	10,800		165				16,900	15,400	13,600	
170				15,200	13,400	10,800		170					14,700	13,000	9,700
175				14,500	12,700	10,800		175					14,100	12,300	9,700
180					12,300	10,300		180					13,600	11,600	9,700
185						11,600		185						11,200	9,400
190							9,900	7,000						10,800	8,800
195							9,400	7,000						10,100	8,300
200							9,000	7,000							8,300
205							8,500	7,000							8,100
210								6,600							7,700
215								6,100							7,200
220								5,900							5,900
225															5,000

CK2000-II Luffing Jib Rating Loads in Pounds

Refer to notes page 10

11 Counterweights (132,280 lbs.) + 2 Low Weights (22,050 lbs. x 2)

170' Boom								170' Boom							
Load Radius (ft.)	150 ft Jib							Load Radius (ft.)	160 ft Jib						
	Boom Angle (deg.)								Boom Angle (deg.)						
	88	83	80	75	70	65	60		88	83	80	75	70	65	60
55	42,800 *							55							
60	42,300 *							60	38,400 *						
65	41,700 *							65	38,100 *						
70	41,000 *							70	37,700 *						
75	39,200 *							75	36,800 *						
80	36,800 *							80	35,200 *						
85	34,300 *	39,600 *						85	33,500 *	38,400 *					
90	32,400 *	37,400 *						90	31,700 *	36,800 *					
95	30,400 *	35,000 *						95	29,700 *	34,300 *					
100	28,600 *	33,000 *	32,800					100	27,900 *	32,400 *					
105	27,100 *	31,000 *	31,500					105	26,400 *	30,400 *	30,400				
110	25,700 *	29,300 *	29,500					110	25,100 *	28,600 *	29,300				
115	24,400 *	27,700 *	27,900					115	23,800 *	27,100 *	27,500				
120	23,100 *	26,200 *	26,200					120	22,400 *	25,500	26,000				
125	22,000 *	24,900 *	24,900	21,600				125	21,300 *	24,200	24,600				
130	20,900 *	23,500 *	23,500	21,600				130	20,200 *	22,900	23,300	20,000			
135	20,000 *	22,400 *	22,400	20,500				135	19,400 *	21,800	22,000	20,000			
140	19,100 *	21,300 *	21,300	19,400				140	18,500 *	20,700	20,900	19,100			
145	18,200 *	20,200 *	20,200	18,500				145	17,100 *	19,800	20,000	18,000			
150	16,700 *	19,400 *	19,400	17,600	14,100			150	14,900 *	18,700	18,900	17,100			
155		18,500 *	18,500	16,700	14,100			155	12,700 *	18,000	18,000	16,500	13,000		
160		17,800 *	17,600	16,000	13,800			160	10,800 *	17,100 *	17,400	15,600	13,000		
165		16,500 *	16,700	15,200	13,200			165		15,600 *	16,500	14,900	13,000		
170		14,100 *	16,000	14,500	12,500			170		13,200 *	15,800	14,300	12,300		
175			15,400	13,800	12,100	8,800		175		11,000 *	15,200	13,600	11,600		
180				13,400	11,400	8,800		180		8,800 *	13,200 *	13,000	11,000	7,700	
185				12,700	11,000	8,800		185			10,500 *	12,500	10,500	7,700	
190				12,300	10,300	8,500		190				11,900	10,100	7,700	
195					9,900	8,100		195				11,400	9,700	7,700	
200					9,400	7,700		200				11,000	9,000	7,200	
205					9,000	7,200		205					8,800	7,000	
210						7,000		210					8,300	6,600	
215						6,600		215					7,900	6,100	
220						6,100		220						5,900	
225								225						5,700	
230								230						5,200	

170' Boom								170' Boom							
Load Radius (ft.)	170 ft Jib							Load Radius (ft.)	170 ft Jib						
	Boom Angle (deg.)								Boom Angle (deg.)						
	88	83	80	75	70	65	60		88	83	80	75	70	65	60
60	34,800 *														
65	34,600 *														
70	34,400 *														
75	33,100 *														
80	31,300 *														
85	29,700 *														
90	28,200 *	33,200 *													
95	26,600 *	31,500 *													
100	25,300 *	29,700 *													
105	24,500 *	28,700 *													
110	23,100 *	26,600 *	28,800												
115	22,300 *	25,800 *	27,600												
120	20,900 *	24,200 *	26,000												
125	20,300 *	23,300 *	24,600												
130	19,100 *	22,000 *	23,300												
135	18,500 *	20,900 *	22,200	19,400											
140	16,900 *	19,800 *	20,900	18,700											
145	14,500 *	18,900 *	20,000	17,800											
150	12,100 *	18,000 *	18,900	16,900											
155	9,900 *	17,100 *	18,000	16,000											
160	8,100 *	16,300 *	17,200	15,400											
165	6,300 *	13,600 *	16,500	14,500	11,900										
170	4,600 *	11,200 *	15,800	13,800	11,900										
175		8,800 *	14,700 *	13,200	11,200										
180		6,800 *	11,900 *	12,700	10,500										
185		4,800 *	9,200 *	12,100	10,100										
190		3,000 *	6,800 *	11,400	9,700	7,200									
195			4,800 *	11,000	9,000	7,200									
200				10,500	8,500	6,800									
205				7,900 *	8,100	6,300									
210				5,200 *	7,900	6,100									
215					7,400	5,700									
220					7,000	5,500									
225					5,900	5,000									
230						4,800									
235						4,600									



CK2000-II Luffing Jib Rating Loads in Pounds

Refer to notes page 10

11 Counterweights (132,280 lbs.) + 2 Low Weights (22,050 lbs. x 2)

180' Boom								180' Boom							
Load Radius (ft.)	70 ft Jib							Load Radius (ft.)	80 ft Jib						
	Boom Angle (deg.)								Boom Angle (deg.)						
	88	83	80	75	70	65	60		88	83	80	75	70	65	60
34	83,100 *							34							
36	79,500 *							36	78,000 *						
38	76,200 *							38	74,900 *						
40	73,400 *							40	71,800 *						
42	70,500 *							42	69,200 *						
44	68,100 *							44	66,500 *						
46	65,600 *							46	64,100 *						
48	63,200 *							48	61,900 *						
50	61,200 *							50	59,900 *						
55	56,400 *	70,100 *						55	55,100 *						
60	52,200 *	64,100 *						60	50,900 *	62,600 *					
65	48,700 *	59,000 *						65	47,300 *	57,500 *					
70	45,600 *	54,600 *	55,300					70	44,300 *	53,100 *					
75	42,900 *	50,700 *	51,300					75	41,600 *	49,300 *	50,200				
80	40,700 *	47,300 *	47,100					80	39,200 *	46,000 *	46,900				
85		44,500 *	43,800					85	37,000 *	42,900 *	43,400				
90		41,800	40,700	36,500				90	35,200 *	40,300 *	40,300				
95		39,600	37,900	34,800				95		38,100 *	37,600	33,700			
100			35,400	32,600				100		36,100	35,200	32,100			
105			33,200	30,600				105			33,000	30,200			
110				28,800	25,500			110			31,000	28,400			
115				27,100	24,900			115				26,800	23,500		
120					23,500			120				25,300	23,100		
125					22,200			125				24,000	21,800		
130					21,100	18,200		130					20,700		
135						18,000		135					19,800	16,500	
140						17,100		140					18,700	16,500	
145						16,300		145						15,800	
150								150						15,200	
155								155						14,300	

180' Boom								180' Boom							
Load Radius (ft.)	90 ft Jib							Load Radius (ft.)	100 ft Jib						
	Boom Angle (deg.)								Boom Angle (deg.)						
	88	83	80	75	70	65	60		88	83	80	75	70	65	60
40	70,900 *							40							
42	68,300 *							42	65,500 *						
44	65,600 *							44	64,800 *						
46	63,200 *							46	62,300 *						
48	61,000 *							48	60,100 *						
50	58,800 *							50	57,900 *						
55	54,200 *							55	53,300 *						
60	50,200 *							60	49,300 *						
65	46,500 *	55,500 *						65	45,800 *	54,600 *					
70	43,400 *	51,500 *						70	42,500 *	50,700 *					
75	40,700 *	48,000 *						75	39,900 *	46,900 *					
80	38,300 *	44,700 *	45,800					80	37,400 *	43,800 *	45,600				
85	36,100 *	41,800 *	43,200					85	35,200 *	41,000 *	42,700				
90	34,100 *	39,400 *	40,100					90	33,200 *	38,500 *	39,900				
95	32,400 *	37,000 *	37,400					95	31,500 *	36,300 *	37,200				
100	30,800 *	35,000 *	35,000	31,000				100	29,900 *	34,100 *	34,800				
105		33,200 *	32,800	29,900				105	28,400 *	32,400 *	32,600	28,800			
110		31,700	31,000	28,200				110	27,300 *	30,800 *	30,800	28,200			
115			29,300	26,400				115		29,300 *	29,100	26,600			
120			27,700	25,100	21,800			120		27,900 *	27,500	25,100			
125				23,800	21,600			125			26,000	23,800	20,200		
130				22,400	20,500			130			24,600	22,700	20,200		
135				21,300	19,600			135				21,600	19,100		
140					18,500			140				20,500	18,200		
145					17,600	14,500		145				19,400	17,400		
150					16,700	14,500		150					16,500	13,200	
155						14,100		155					15,800	13,200	
160						13,400		160					15,200	13,000	
165						12,700		165						12,500	
170								170						11,900	
175								175						11,200	

CK2000-II Luffing Jib Rating Loads in Pounds

Refer to notes page 10

11 Counterweights (132,280 lbs.) + 2 Low Weights (22,050 lbs. x 2)

180' Boom								180' Boom							
Load Radius (ft.)	110 ft Jib							Load Radius (ft.)	120 ft Jib						
	Boom Angle (deg.)								Boom Angle (deg.)						
	88	83	80	75	70	65	60		88	83	80	75	70	65	60
44	59,500 *							44							
46	59,100 *							46							
48	58,600 *							48	53,800 *						
50	56,800 *							50	53,400 *						
55	52,000 *							55	50,700 *						
60	48,000 *							60	46,700 *						
65	44,500 *							65	43,400 *						
70	41,400 *	49,100 *						70	40,500 *						
75	38,800 *	45,800 *						75	37,900 *	44,500 *					
80	36,300 *	42,500 *						80	35,400 *	41,800 *					
85	34,100 *	39,900 *	41,600					85	33,200 *	39,000 *					
90	32,100 *	37,200 *	39,400					90	31,500 *	36,500 *	38,300				
95	30,400 *	35,000 *	36,800					95	29,700 *	34,300 *	36,500				
100	28,600 *	33,000 *	34,300					100	27,900 *	32,400 *	34,100				
105	27,300 *	31,300 *	32,400					105	26,600 *	30,400 *	31,900				
110	26,000 *	29,500 *	30,400	26,600				110	25,300 *	28,800 *	30,200				
115	24,900 *	28,200 *	28,600	26,200				115	24,200 *	27,300 *	28,400	24,600			
120		26,600 *	27,100	24,600				120	23,100 *	26,000 *	26,800	24,400			
125		25,500 *	25,500	23,300				125	22,000 *	24,600 *	25,300	23,100			
130		24,400 *	24,400	22,200				130		23,500 *	24,000	22,000			
135			23,100	21,100	17,800			135		22,400 *	22,900	20,900			
140			22,000	20,000	17,800			140		21,600 *	21,800	19,800	16,500		
145				19,100	16,900			145			20,700	18,900	16,500		
150				18,200	16,300			150			19,800	18,000	15,800		
155				17,400	15,400	11,900		155				17,100	15,200		
160					14,700	11,900		160				16,500	14,500	11,000	
165					14,100	11,900		165				15,600	13,800	11,000	
170						11,400		170					13,200	11,000	
175							10,800	175					12,500	10,500	
180							10,300	180					11,900	9,900	
185							9,700	185						9,400	
190								190						9,000	
195								195						8,500	

180' Boom								180' Boom							
Load Radius (ft.)	130 ft Jib							Load Radius (ft.)	140 ft Jib						
	Boom Angle (deg.)								Boom Angle (deg.)						
	88	83	80	75	70	65	60		88	83	80	75	70	65	60
50	49,400 *							50							
55	48,100 *							55	44,300 *						
60	46,000 *							60	43,400 *						
65	42,700 *							65	41,600 *						
70	39,600 *							70	38,500 *						
75	37,000 *							75	35,900 *						
80	34,600 *	40,500						80	33,700 *	39,400					
85	32,600 *	38,100						85	31,500 *	37,000					
90	30,600 *	35,700						90	29,700 *	34,600					
95	28,800 *	33,500	35,400					95	27,900 *	32,400					
100	27,300 *	31,500	33,900					100	26,400 *	30,400	32,600				
105	26,000 *	29,700	31,700					105	24,900 *	28,600	31,300				
110	24,600 *	28,200	29,700					110	23,500 *	27,100	29,500				
115	23,300 *	26,600	28,200					115	22,400 *	25,500	27,700				
120	22,200 *	25,300	26,600	22,900				120	21,300 *	24,200	26,200				
125	21,300 *	24,000	25,100	22,900				125	20,200 *	22,900	24,600	21,100			
130	20,200 *	22,900	23,800	21,600				130	19,400 *	21,800	23,500	21,100			
135	19,600 *	21,800	22,700	20,500				135	18,500 *	20,700	22,200	20,200			
140		20,700	21,600	19,600				140	17,800 *	19,800	21,100	19,100			
145		19,800	20,500	18,700	15,200			145	16,900 *	18,900	20,200	18,200			
150		19,100	19,600	17,800	15,200			150		18,000	19,100	17,400	13,600		
155			18,700	16,900	14,700			155		17,400	18,200	16,500	13,600		
160			17,800	16,000	14,100			160		16,700	17,600	15,800	13,600		
165				15,400	13,400			165			16,700	14,900	13,000		
170				14,700	12,700	9,400		170			16,000	14,300	12,300		
175				14,100	12,100	9,400		175				13,800	11,600	8,100	
180					11,600	9,400		180				13,200	11,200	8,100	
185					11,000	9,000		185				12,500	10,500	8,100	
190						10,500		190					10,100	8,100	
195							8,300	195					9,700	7,700	
200							7,900	200					9,200	7,200	
205							7,400	205						7,000	
210								210						6,600	
215								215						6,300	

CK2000-II Luffing Jib Rating Loads in Pounds

Refer to notes page 10

11 Counterweights (132,280 lbs.) + 2 Low Weights (22,050 lbs. x 2)

180' Boom								180' Boom							
Load Radius (ft.)	150 ft Jib							Load Radius (ft.)	160 ft Jib						
	Boom Angle (deg.)								Boom Angle (deg.)						
	88	83	80	75	70	65	60		88	83	80	75	70	65	60
55	40,300 *							55							
60	39,900 *							60	36,800 *						
65	39,500 *							65	36,200 *						
70	37,900 *							70	35,500 *						
75	35,200 *							75	34,600 *						
80	33,000 *							80	32,100 *						
85	30,800 *	35,900						85	30,200 *						
90	29,100 *	33,900						90	28,400 *	32,600 *					
95	27,300 *	31,700						95	26,600 *	31,000 *					
100	25,700 *	29,700	32,400					100	25,100 *	29,100 *					
105	24,200 *	27,900	30,600					105	23,500 *	27,300 *	28,600 *				
110	22,900 *	26,400	28,800					110	22,200 *	25,700 *	27,500 *				
115	21,800 *	24,900	27,100					115	21,100 *	24,200 *	26,000 *				
120	20,700 *	23,500	25,500					120	20,000 *	22,900 *	24,400 *				
125	19,600 *	22,200	24,200					125	18,900 *	21,600 *	23,100 *				
130	18,700 *	21,100	22,900	19,800				130	18,000 *	20,500 *	22,000 *				
135	17,800 *	20,000	21,800	19,800				135	17,100 *	19,400 *	20,900 *	18,200			
140	16,900 *	19,100	20,700	18,900				140	16,300 *	18,500 *	19,800 *	18,200			
145	16,300 *	18,200	19,600	18,000				145	15,600 *	17,600 *	18,900	17,600			
150	15,600 *	17,400	18,700	17,100				150	14,500 *	16,700 *	18,000	16,700			
155		16,700	17,800	16,300	12,500			155	12,500 *	15,800 *	17,100	16,000			
160		15,800	16,900	15,600	12,500			160	10,500 *	15,200 *	16,300	15,200	11,400		
165		15,200	16,300	14,700	12,500			165		14,500 *	15,600	14,500	11,400		
170		13,800 *	15,600	14,100	11,900			170		13,000 *	14,900	13,800	11,400		
175			14,900	13,600	11,400			175		10,800 *	14,300	13,200	11,000		
180			13,400	13,000	10,800	7,200		180		8,500 *	13,400	12,700	10,500		
185				12,300	10,300	7,200		185			11,000 *	12,100	9,900	6,300	
190				11,900	9,900	7,200		190			8,500 *	11,400	9,400	6,300	
195				11,200	9,200	7,200		195				11,000	9,000	6,300	
200					8,800	7,000		200				10,500	8,500	6,300	
205					8,300	6,600		205				8,800	8,100	6,300	
210						8,100		210					7,700	5,900	
215							5,900	215					7,200	5,500	
220							5,700	220					7,000	5,200	
225							5,200	225						5,000	
230								230						4,600	

180' Boom								180' Boom							
Load Radius (ft.)	170 ft Jib							Load Radius (ft.)	170 ft Jib						
	Boom Angle (deg.)								Boom Angle (deg.)						
	88	83	80	75	70	65	60		88	83	80	75	70	65	60
60	33,100 *														
65	32,800 *														
70	32,400 *														
75	32,000 *														
80	31,100 *														
85	29,300 *														
90	27,300 *	32,100 *													
95	25,700 *	29,900 *													
100	24,200 *	27,900 *													
105	22,700 *	26,200 *													
110	21,300 *	24,600 *	26,400 *												
115	20,200 *	23,300 *	25,100 *												
120	18,900 *	22,000 *	23,500 *												
125	18,000 *	20,700 *	22,200 *												
130	17,100 *	19,600 *	20,900 *												
135	16,300 *	18,500 *	20,000 *												
140	15,600 *	17,600 *	18,900 *	17,800											
145	14,100 *	16,700 *	18,000 *	17,100											
150	11,600 *	15,800 *	17,100 *	16,500											
155	9,700 *	15,200 *	16,300 *	15,600											
160	7,700 *	14,300 *	15,600 *	14,900											
165	5,900 *	13,600 *	14,700 *	14,100	11,200										
170	4,400 *	11,000 *	14,100 *	13,400	11,000										
175		8,800 *	13,400 *	12,700	10,500										
180		6,600 *	11,900 *	12,300	9,900										
185		4,600 *	9,200 *	11,600	9,400										
190			7,000 *	11,000	9,000										
195			4,800 *	10,500	8,500	6,100									
200				10,100	8,100	6,100									
205				8,100	7,700	5,700									
210				5,700 *	7,200	5,500									
215					6,800	5,000									
220					6,600	4,800									
225					6,100										



CK2000-II Crane Boom Rating Loads with Luffing Jib in Pounds

11 Counterweights (132,280 lbs.) + 2 Low Weights (22,050 lbs. x 2)

ATTACHED AT 23 DEGREE BOOM TO LUFFING JIB OFFSET ANGLE

70' Boom												
Load Radius (ft.)	Boom Angle (deg)	Jib Length (ft.)										
		70	80	90	100	110	120	130	140	150	160	170
22	79.0	155,600 *	152,300 *	149,500 *	145,700 *	143,300 *	139,100 *	135,600 *	130,700 *	127,600 *	122,800 *	118,200 *
24	77.3	155,600 *	152,300 *	149,500 *	145,700 *	143,300 *	139,100 *	135,600 *	130,700 *	127,600 *	122,800 *	118,200 *
26	75.6	155,600 *	152,300 *	149,500 *	145,700 *	143,300 *	139,100 *	135,600 *	130,700 *	127,600 *	122,800 *	118,200 *
28	73.9	155,600 *	152,300 *	149,500 *	145,700 *	143,300 *	139,100 *	135,600 *	130,700 *	127,600 *	122,800 *	118,200 *
30	72.1	155,600 *	152,300 *	149,500 *	145,700 *	143,300 *	139,100 *	135,600 *	130,700 *	127,600 *	122,800 *	118,200 *
32	70.4	151,200	148,600	146,200	143,100	141,100	137,800	134,700	130,700 *	127,600	122,800	118,200
34	68.6	136,700	134,000	131,600	128,500	126,800	123,500	120,600	116,800	114,400	110,400	106,900
36	66.8	124,300	121,700	119,500	116,600	114,600	111,600	108,700	104,900	102,700	98,800	95,500
38	64.9	113,800	111,100	108,900	106,000	104,300	101,000	98,300	94,800	92,400	88,600	85,300
40	63.0	104,500	101,900	99,900	97,000	95,200	92,200	89,300	86,000	83,800	80,000	76,700
45	58.2	86,000	83,600	81,300	78,700	76,900	74,100	71,400	68,100	66,100	62,600	59,500
50	53.0	71,900	69,700	67,700	65,000	63,500	60,600	58,000	54,900	52,900	49,400	46,500
55	47.4	61,300	59,100	57,100	54,500	53,100	50,300	47,800	44,800	43,000	39,700	36,800
60	41.2	52,500	50,300	48,500	46,100	44,500	41,900	39,700	36,600	34,800	31,700	28,900
65	33.9	45,400	43,200	41,400	39,000	37,700	35,100	32,800	30,000	28,200	25,100	22,700
70	24.5	39,200 *	37,300 *	35,500 *	33,300 *	32,000 *	29,300 *	27,300 *	24,500 *	22,900 *	19,800 *	17,400 *

80' Boom												
Load Radius (ft.)	Boom Angle (deg)	Jib Length (ft.)										
		70	80	90	100	110	120	130	140	150	160	170
22	80.4	156,100 *	153,000 *	150,100 *	146,600 *	144,200 *	140,200 *	136,700 *	132,100 *	129,000 *	124,100 *	119,900 *
24	78.9	156,100 *	153,000 *	150,100 *	146,600 *	144,200 *	140,200 *	136,700 *	132,100 *	129,000 *	124,100 *	119,900 *
26	77.4	156,100 *	153,000 *	150,100 *	146,600 *	144,200 *	140,200 *	136,700 *	132,100 *	129,000 *	124,100 *	119,900 *
28	76.0	156,100 *	153,000 *	150,100 *	146,600 *	144,200 *	140,200 *	136,700 *	132,100 *	129,000 *	124,100 *	119,900 *
30	74.5	156,100 *	153,000 *	150,100 *	146,600 *	144,200 *	140,200 *	136,700 *	132,100 *	129,000 *	124,100 *	119,900 *
32	72.9	151,700	149,000	146,600	143,700	141,800	138,700	135,800	132,100	129,000	124,100	119,900
34	71.4	137,100	134,500	132,300	129,400	127,600	124,600	121,700	118,200	115,700	112,000	108,700
36	69.9	124,800	122,100	119,900	117,100	115,500	112,200	109,600	106,000	103,800	100,300	97,000
38	68.3	114,200	111,800	109,600	106,900	105,200	102,100	99,400	96,100	93,900	90,400	87,100
40	66.7	104,700	102,300	100,300	97,700	95,900	93,000	90,400	87,100	84,900	81,300	78,300
45	62.6	86,200	84,000	82,000	79,400	77,800	75,000	72,500	69,200	67,200	63,900	61,100
50	58.4	72,500	70,300	68,300	65,700	64,400	61,500	59,300	56,200	54,200	51,100	48,300
55	53.9	61,500	59,300	57,500	55,100	53,800	51,100	48,700	45,900	44,100	41,000	38,400
60	49.2	52,900	50,700	48,900	46,500	45,200	42,500	40,300	37,700	35,900	32,800	30,200
65	44.0	45,600	43,700	41,900	39,500	38,100	35,700	33,500	30,900	29,100	26,200	23,800
70	38.2	39,900	37,700	36,200	34,000	32,600	30,200	28,000	25,400	23,800	20,900	18,500
75	31.4	34,800	32,800	31,300	29,100	27,800	25,400	23,400	20,900	19,400	16,500	14,300

90' Boom												
Load Radius (ft.)	Boom Angle (deg)	Jib Length (ft.)										
		70	80	90	100	110	120	130	140	150	160	170
24	80.2	156,700 *	153,900 *	151,200 *	147,900 *	145,700 *	142,000 *	138,700 *	134,700 *	131,800 *	127,400 *	123,500
26	78.9	156,700 *	153,900 *	151,200 *	147,900 *	145,700 *	142,000 *	138,700 *	134,700 *	131,800 *	127,400 *	123,500
28	77.6	156,700 *	153,900 *	151,200 *	147,900 *	145,700 *	142,000 *	138,700 *	134,700 *	131,800 *	127,400 *	123,500
30	76.2	156,700 *	153,900 *	151,200 *	147,900 *	145,700 *	142,000 *	138,700 *	134,700 *	131,800 *	127,400 *	123,500
32	74.9	151,700	149,300	147,000	144,200	142,400	139,100	136,500	132,900	130,500	126,800	123,500
34	73.6	137,300	134,900	132,700	129,900	128,100	125,000	122,400	119,000	116,800	113,100	109,800
36	72.2	124,800	122,400	120,400	117,500	116,000	112,900	110,200	106,900	104,900	101,200	98,100
38	70.9	114,200	111,800	109,800	107,100	105,400	102,500	99,900	96,800	94,600	91,000	88,200
40	69.5	104,900	102,700	100,700	98,100	96,300	93,500	91,000	88,000	86,000	82,500	79,600
45	66.0	86,400	84,200	82,200	79,800	78,300	75,400	73,200	70,100	68,100	65,000	62,200
50	62.4	72,500	70,300	68,300	65,900	64,600	61,900	59,700	56,900	54,900	51,800	49,200
55	58.6	61,700	59,700	58,000	55,600	54,200	51,600	49,400	46,700	45,000	41,900	39,500
60	54.7	53,100	50,900	49,400	47,000	45,600	43,200	41,000	38,400	36,800	34,000	31,300
65	50.5	45,900	43,900	42,100	39,900	38,600	36,400	34,200	31,500	30,000	27,100	24,700
70	46.1	39,900	37,900	36,400	34,200	33,100	30,600	28,700	26,000	24,500	21,800	19,400
75	41.2	35,100	33,100	31,500	29,300	28,200	25,800	24,000	21,400	20,100	17,400	15,000
80	35.8	30,600	28,700	27,300	25,100	24,000	21,800	19,800	17,400	16,100	13,400	11,200
85	29.4	26,900	25,100	23,600	21,600	20,500	18,300	16,500	14,100	12,800	10,100	



CK2000-II Crane Boom Rating Loads with Luffing Jib in Pounds

11 Counterweights (132,280 lbs.) + 2 Low Weights (22,050 lbs. x 2)

ATTACHED AT 23 DEGREE BOOM TO LUFFING JIB OFFSET ANGLE

100' Boom												
Load Radius (ft.)	Boom Angle (deg)	Jib Length (ft.)										
		70	80	90	100	110	120	130	140	150	160	170
		26	80.0	157,200 *	154,500 *	152,100 *	149,000 *	147,000 *	143,500 *	140,400 *	136,700 *	134,000 *
28	78.8	157,200 *	154,500 *	152,100 *	149,000 *	147,000 *	143,500 *	140,400 *	136,700 *	134,000 *	129,900 *	126,300 *
30	77.7	157,200 *	154,500 *	152,100 *	149,000 *	147,000 *	143,500 *	140,400 *	136,700 *	134,000 *	129,900 *	126,300 *
32	76.5	151,700 *	149,000 *	147,000 *	144,200 *	142,400 *	139,300 *	136,700 *	133,400 *	131,000 *	127,400 *	124,100 *
34	75.3	137,100 *	134,700 *	132,700 *	129,900 *	128,300 *	125,200 *	122,800 *	119,300 *	117,300 *	113,800 *	110,400 *
36	74.1	125,000 *	122,600 *	120,600 *	117,900 *	116,200 *	113,300 *	110,900 *	107,600 *	105,600 *	102,100 *	99,000 *
38	72.9	114,200 *	112,000 *	110,000 *	107,400 *	105,800 *	103,000 *	100,500 *	97,200 *	95,200 *	91,900 *	89,100 *
40	71.6	105,200 *	102,700 *	100,700 *	98,300 *	96,800 *	93,900 *	91,500 *	88,400 *	86,600 *	83,300 *	80,500 *
45	68.5	86,200 *	84,000 *	82,200 *	79,800 *	78,300 *	75,600 *	73,400 *	70,500 *	68,600 *	65,500 *	62,800 *
50	65.4	72,500 *	70,300 *	68,600 *	66,400 *	64,800 *	62,400 *	60,200 *	57,300 *	55,600 *	52,700 *	50,000 *
55	62.1	61,700 *	59,500 *	58,000 *	55,600 *	54,200 *	51,800 *	49,800 *	47,000 *	45,400 *	42,500 *	39,900 *
60	58.7	52,900 *	50,900 *	49,200 *	47,000 *	45,900 *	43,400 *	41,400 *	38,800 *	37,300 *	34,400 *	32,000 *
65	55.2	45,600 *	43,700 *	42,100 *	39,900 *	38,800 *	36,400 *	34,400 *	32,000 *	30,400 *	27,800 *	25,400 *
70	51.6	39,900 *	37,900 *	36,400 *	34,200 *	33,100 *	30,900 *	28,900 *	26,500 *	24,900 *	22,300 *	20,100 *
75	47.7	34,600 *	32,600 *	31,300 *	29,100 *	28,000 *	25,800 *	24,000 *	21,400 *	20,100 *	17,400 *	15,200 *
80	43.5	30,400 *	28,700 *	27,100 *	25,100 *	24,000 *	21,800 *	20,100 *	17,600 *	16,300 *	13,700 *	11,700 *
85	38.9	26,900 *	24,900 *	23,600 *	21,600 *	20,500 *	18,300 *	16,500 *	14,300 *	12,800 *	10,400 *	
90	33.8	23,600 *	21,800 *	20,300 *	18,300 *	17,400 *	15,200 *	13,400 *	11,200 *	9,900 *		
95	27.8	20,700 *	19,000 *	17,600 *	15,700 *	14,800 *	12,600 *	11,000 *	8,800 *			
110' Boom												
Load Radius (ft.)	Boom Angle (deg)	Jib Length (ft.)										
		70	80	90	100	110	120	130	140	150	160	170
		28	79.9	157,600 *	155,200 *	152,800 *	149,900 *	148,100 *	144,800 *	142,000 *	138,400 *	136,000 *
30	78.8	157,600 *	155,200 *	152,800 *	149,900 *	148,100 *	144,800 *	142,000 *	138,400 *	136,000 *	132,100 *	128,700 *
32	77.7	147,300 *	144,800 *	142,600 *	140,000 *	138,200 *	135,400 *	132,700 *	129,400 *	127,200 *	123,700 *	120,400 *
34	76.6	136,700 *	134,500 *	132,500 *	129,600 *	128,100 *	125,200 *	122,600 *	119,500 *	117,300 *	114,000 *	110,900 *
36	75.6	124,800 *	122,400 *	120,600 *	117,900 *	116,400 *	113,500 *	111,100 *	107,800 *	105,800 *	102,500 *	99,600 *
38	74.5	114,200 *	112,000 *	110,000 *	107,600 *	106,000 *	103,200 *	100,700 *	97,900 *	95,900 *	92,600 *	89,700 *
40	73.4	104,900 *	102,700 *	100,700 *	98,300 *	96,800 *	94,100 *	91,700 *	88,800 *	86,900 *	83,800 *	80,900 *
45	70.6	86,400 *	84,200 *	82,500 *	80,000 *	78,700 *	76,100 *	73,900 *	71,000 *	69,200 *	66,100 *	63,500 *
50	67.8	72,300 *	70,300 *	68,600 *	66,400 *	65,000 *	62,400 *	60,400 *	57,500 *	56,000 *	53,100 *	50,500 *
55	64.9	61,500 *	59,500 *	57,800 *	55,600 *	54,200 *	52,000 *	49,800 *	47,200 *	45,600 *	43,000 *	40,600 *
60	61.9	52,700 *	50,700 *	49,200 *	47,000 *	45,900 *	43,400 *	41,400 *	39,000 *	37,500 *	34,800 *	32,400 *
65	58.9	45,900 *	43,900 *	42,300 *	40,100 *	39,000 *	36,800 *	34,800 *	32,400 *	30,900 *	28,200 *	26,000 *
70	55.7	39,700 *	37,700 *	36,400 *	34,200 *	33,100 *	30,900 *	29,100 *	26,700 *	25,100 *	22,700 *	20,500 *
75	52.4	34,600 *	32,800 *	31,300 *	29,300 *	28,200 *	26,000 *	24,300 *	21,800 *	20,500 *	18,100 *	15,900 *
80	48.9	30,200 *	28,400 *	27,100 *	25,100 *	24,000 *	21,800 *	20,100 *	17,900 *	16,500 *	14,100 *	11,900 *
85	45.2	26,700 *	24,900 *	23,400 *	21,400 *	20,500 *	18,300 *	16,500 *	14,300 *	13,000 *	10,600 *	
90	41.3	23,400 *	21,600 *	20,300 *	18,300 *	17,200 *	15,200 *	13,700 *	11,200 *	10,100 *		
95	36.9	20,500 *	18,700 *	17,400 *	15,700 *	14,600 *	12,600 *	11,000 *	8,800 *			
100	32.1	17,900 *	16,300 *	15,000 *	13,000 *	12,100 *	10,100 *	8,600 *				
105	26.3	15,900 *	14,100 *	12,800 *	11,000 *	10,100 *	8,200 *					
120' Boom												
Load Radius (ft.)	Boom Angle (deg)	Jib Length (ft.)										
		70	80	90	100	110	120	130	140	150	160	170
		30	79.8	155,200 *	152,800 *	150,600 *	147,900 *	146,200 *	143,100 *	140,400 *	136,900 *	134,700 *
32	78.8	143,300 *	140,900 *	138,900 *	136,200 *	134,500 *	131,600 *	129,000 *	125,700 *	123,700 *	120,100 *	117,100 *
34	77.8	132,900 *	130,700 *	128,700 *	126,100 *	124,600 *	121,700 *	119,300 *	116,000 *	114,000 *	110,700 *	107,600 *
36	76.8	123,900 *	121,700 *	119,700 *	117,100 *	115,500 *	112,900 *	110,400 *	107,400 *	105,400 *	102,100 *	99,200 *
38	75.8	114,000 *	111,800 *	110,000 *	107,400 *	106,000 *	103,200 *	101,000 *	97,900 *	96,100 *	92,800 *	89,900 *
40	74.8	104,900 *	102,700 *	101,000 *	98,300 *	97,000 *	94,400 *	92,200 *	89,100 *	87,300 *	84,200 *	81,300 *
45	72.3	86,200 *	84,200 *	82,500 *	80,200 *	78,700 *	76,300 *	74,100 *	71,400 *	69,700 *	66,600 *	64,200 *
50	69.7	72,300 *	70,300 *	68,600 *	66,400 *	65,000 *	62,600 *	60,600 *	58,000 *	56,400 *	53,600 *	51,100 *
55	67.1	61,500 *	59,500 *	58,000 *	55,800 *	54,500 *	52,200 *	50,300 *	47,600 *	46,100 *	43,400 *	41,000 *
60	64.5	52,700 *	50,900 *	49,200 *	47,200 *	46,100 *	43,700 *	41,900 *	39,200 *	37,900 *	35,300 *	33,100 *
65	61.8	45,400 *	43,700 *	42,100 *	40,100 *	39,000 *	36,800 *	34,800 *	32,400 *	31,100 *	28,400 *	26,200 *
70	59.0	39,700 *	37,900 *	36,400 *	34,400 *	33,300 *	31,100 *	29,300 *	26,900 *	25,600 *	23,100 *	20,900 *
75	56.1	34,400 *	32,600 *	31,100 *	29,300 *	28,200 *	26,000 *	24,300 *	22,000 *	20,700 *	18,300 *	16,100 *
80	53.1	30,200 *	28,400 *	27,100 *	25,100 *	24,300 *	22,000 *	20,300 *	18,100 *	16,800 *	14,600 *	12,300 *
85	49.9	26,500 *	24,700 *	23,100 *	21,400 *	20,300 *	18,300 *	16,500 *	14,300 *	13,200 *	10,800 *	8,800 *
90	46.6	23,100 *	21,400 *	20,100 *	18,100 *	17,200 *	15,200 *	13,400 *	11,500 *	10,100 *		
95	43.1	20,300 *	18,500 *	17,200 *	15,400 *	14,600 *	12,600 *	10,800 *	8,800 *			
100	39.4	17,600 *	16,100 *	14,800 *	13,000 *	11,900 *	10,100 *	8,400 *				
105	35.2	15,400 *	13,900 *	12,600 *	10,800 *	9,900 *	7,900 *					
110	30.6	13,700 *	11,900 *	10,800 *	9,000 *	8,200 *						
115	25.1	11,700 *	10,100 *	8,800 *								



CK2000-II Crane Boom Rating Loads with Luffing Jib in Pounds

11 Counterweights (132,280 lbs.) + 2 Low Weights (22,050 lbs. x 2)

ATTACHED AT 23 DEGREE BOOM TO LUFFING JIB OFFSET ANGLE

130' Boom												
Load Radius (ft.)	Boom Angle (deg)	Jib Length (ft.)										
		70	80	90	100	110	120	130	140	150	160	170
32	79.6	139,600 *	137,100 *	135,100 *	132,500 *	130,700 *	127,900 *	125,400 *	122,100 *	120,100 *	116,800 *	113,800 *
34	78.7	129,400 *	127,200 *	125,200 *	122,600 *	121,000 *	118,400 *	115,700 *	112,700 *	110,700 *	107,400 *	104,500 *
36	77.8	120,600 *	118,200 *	116,400 *	114,000 *	112,400 *	109,600 *	107,400 *	104,300 *	102,300 *	99,200 *	96,300 *
38	76.9	112,700 *	110,400 *	108,700 *	106,300 *	104,700 *	102,100 *	99,900 *	96,800 *	95,000 *	91,900 *	89,100 *
40	76.0	104,500	102,500	100,700	98,300	96,800	94,400	91,900	89,100	87,300	84,200	81,600
45	73.7	86,000	84,000	82,200	80,000	78,700	76,300	74,100	71,400	69,700	66,800	64,400
50	71.4	72,100	70,100	68,300	66,400	65,000	62,600	60,600	58,000	56,400	53,600	51,400
55	69.0	61,100	59,300	57,800	55,600	54,500	52,000	50,300	47,600	46,100	43,400	41,200
60	66.6	52,500	50,500	48,900	47,000	45,900	43,700	41,700	39,200	37,900	35,300	33,100
65	64.1	45,200	43,400	41,900	39,900	38,800	36,600	34,800	32,400	31,100	28,700	26,500
70	61.6	39,000	37,300	35,900	34,000	32,800	30,900	29,100	26,700	25,400	22,900	20,900
75	59.0	34,200	32,400	30,900	29,100	28,000	26,000	24,300	22,000	20,700	18,300	16,300
80	56.4	29,800	28,000	26,700	24,700	23,800	21,800	20,100	17,900	16,500	14,300	12,300
85	53.6	26,000	24,500	22,900	21,200	20,300	18,300	16,500	14,300	13,200	10,800	9,000
90	50.8	22,700	21,200	19,800	18,100	17,000	15,000	13,400	11,200	10,100		
95	47.8	20,100	18,300	17,000	15,200	14,300	12,300	10,800	8,800			
100	44.6	17,400	15,700	14,600	12,800	11,700	9,900	8,400				
105	41.3	15,200	13,700	12,300	10,600	9,700						
110	37.7	13,000	11,500	10,100	8,400							
115	33.7	11,200	9,700	8,600								
120	29.3	9,700	8,200									
125	24.0	8,200										

140' Boom												
Load Radius (ft.)	Boom Angle (deg)	Jib Length (ft.)										
		70	80	90	100	110	120	130	140	150	160	170
32	80.4	136,200 *	134,000 *	132,100 *	129,400 *	127,900 *	125,000 *	122,600 *	119,300 *	117,300 *	114,000 *	110,900 *
34	79.6	126,300 *	124,100 *	122,100 *	119,500 *	117,900 *	115,300 *	112,900 *	109,800 *	107,800 *	104,700 *	101,900 *
36	78.7	117,500 *	115,300 *	113,500 *	111,100 *	109,600 *	106,900 *	104,500 *	101,600 *	99,600 *	96,600 *	93,900 *
38	77.9	110,000 *	107,800 *	106,000 *	103,600 *	102,100 *	99,600 *	97,200 *	94,400 *	92,600 *	89,500 *	86,900 *
40	77.0	103,000 *	101,000 *	99,200 *	96,800 *	95,500 *	92,800 *	90,600 *	87,700 *	86,000 *	83,100 *	80,500 *
45	74.9	86,000	84,000	82,200	80,000	78,700	76,300	74,300	71,600	69,900	67,000	64,600
50	72.8	71,900	69,900	68,100	66,100	64,800	62,600	60,600	58,000	56,400	53,800	51,400
55	70.6	60,800	59,100	57,500	55,300	54,200	52,000	50,000	47,600	46,100	43,700	41,400
60	68.4	52,000	50,300	48,700	46,700	45,600	43,400	41,700	39,200	37,900	35,500	33,300
65	66.1	45,000	43,200	41,700	39,700	38,600	36,600	34,800	32,400	31,100	28,700	26,700
70	63.8	39,000	37,300	35,900	34,000	32,800	30,900	29,100	26,900	25,600	23,100	21,200
75	61.5	34,000	32,400	30,900	29,100	28,000	26,000	24,500	22,300	20,900	18,500	16,800
80	59.1	29,800	28,000	26,700	24,900	23,800	21,800	20,300	18,100	16,800	14,600	12,600
85	56.6	26,000	24,300	22,900	21,200	20,300	18,300	16,800	14,600	13,400	11,200	9,300
90	54.1	22,500	20,900	19,600	17,900	16,800	15,000	13,400	11,200	10,100		
95	51.5	19,600	18,100	16,800	15,000	14,100	12,100	10,600	8,600			
100	48.7	17,200	15,400	14,300	12,600	11,700	9,700	8,200				
105	45.9	15,000	13,200	12,100	10,400	9,500						
110	42.9	12,800	11,200	9,900	8,200							
115	39.7	11,000	9,500	8,200								
120	36.2	9,300										

150' Boom												
Load Radius (ft.)	Boom Angle (deg)	Jib Length (ft.)										
		70	80	90	100	110	120	130	140	150	160	170
34	80.3	123,500 *	121,300 *	119,500 *	116,800 *	115,500 *	112,700 *	110,400 *	107,400 *	105,400 *	102,300 *	99,400 *
36	79.5	114,900 *	112,700 *	110,900 *	108,500 *	106,900 *	104,300 *	102,100 *	99,200 *	97,200 *	94,100 *	91,500 *
38	78.7	107,100 *	105,200 *	103,400 *	101,000 *	99,400 *	97,000 *	94,800 *	91,900 *	90,200 *	87,100 *	84,400 *
40	77.9	100,700 *	98,500 *	96,800 *	94,600 *	93,300 *	90,600 *	88,600 *	85,800 *	84,000 *	81,100 *	78,500 *
45	76.0	85,500	83,600	82,000	79,800	78,500	76,100	74,100	71,400	69,900	67,000	64,600
50	74.0	71,600	69,700	68,100	66,100	64,800	62,600	60,600	58,200	56,700	54,000	51,600
55	71.9	60,800	58,900	57,300	55,300	54,200	52,000	50,300	47,800	46,300	43,900	41,700
60	69.9	52,000	50,300	48,700	46,700	45,600	43,700	41,900	39,500	38,100	35,700	33,500
65	67.8	44,800	43,000	41,700	39,700	38,600	36,600	34,800	32,600	31,300	28,900	26,900
70	65.7	38,800	37,000	35,700	33,700	32,600	30,600	29,100	26,900	25,600	23,100	21,200
75	63.6	33,700	32,000	30,600	28,900	27,800	25,800	24,300	22,000	20,900	18,500	16,800
80	61.4	29,300	27,800	26,500	24,500	23,600	21,600	20,100	17,900	16,800	14,600	12,800
85	59.2	25,800	24,000	22,700	20,900	20,100	18,100	16,500	14,600	13,200	11,000	9,300
90	56.9	22,500	20,700	19,600	17,900	16,800	15,000	13,400	11,500	10,400		
95	54.5	19,400	17,900	16,500	14,800	13,900	12,100	10,600	8,600			
100	52.1	17,000	15,400	14,100	12,300	11,700	9,700	8,400				
105	49.6	14,600	13,000	11,900	10,100	9,300						
110	46.9	12,600	11,000	9,900	8,200							
115	44.2	10,800	9,300	7,900								
120	41.3	9,000										



CK2000-II Crane Boom Rating Loads with Luffing Jib in Pounds

11 Counterweights (132,280 lbs.) + 2 Low Weights (22,050 lbs. x 2)

ATTACHED AT 23 DEGREE BOOM TO LUFFING JIB OFFSET ANGLE

160' Boom

Load Radius (ft.)	Boom Angle (deg)	Jib Length (ft.)										
		70	80	90	100	110	120	130	140	150	160	170
		36	80.2	112,200 *	110,200 *	108,200 *	105,800 *	104,500 *	101,900 *	99,600 *	96,800 *	95,000 *
38	79.4	104,900 *	102,700 *	101,000 *	98,800 *	97,200 *	94,800 *	92,600 *	89,700 *	88,000 *	85,100 *	82,500 *
40	78.7	98,100 *	96,100 *	94,400 *	92,200 *	90,800 *	88,200 *	86,200 *	83,300 *	81,800 *	78,700 *	76,300 *
45	76.9	84,400 *	82,500 *	80,900 *	78,700 *	77,400 *	75,000 *	73,000 *	70,500 *	69,000 *	66,100 *	63,700 *
50	75.0	71,200 *	69,400 *	67,900 *	65,700 *	64,600 *	62,400 *	60,400 *	58,000 *	56,400 *	54,000 *	51,600 *
55	73.1	60,400 *	58,600 *	57,100 *	55,100 *	54,000 *	51,800 *	50,000 *	47,600 *	46,300 *	43,700 *	41,700 *
60	71.2	51,600 *	49,800 *	48,500 *	46,500 *	45,400 *	43,400 *	41,700 *	39,200 *	37,900 *	35,500 *	33,500 *
65	69.3	44,500 *	42,800 *	41,400 *	39,500 *	38,400 *	36,400 *	34,600 *	32,400 *	31,100 *	28,900 *	26,900 *
70	67.4	38,400 *	36,600 *	35,300 *	33,500 *	32,400 *	30,400 *	28,900 *	26,700 *	25,400 *	23,100 *	21,200 *
75	65.4	33,300 *	31,700 *	30,400 *	28,700 *	27,600 *	25,600 *	24,000 *	21,800 *	20,700 *	18,500 *	16,500 *
80	63.4	29,100 *	27,300 *	26,000 *	24,300 *	23,400 *	21,400 *	19,800 *	17,900 *	16,500 *	14,600 *	12,600 *
85	61.3	25,400 *	23,800 *	22,500 *	20,700 *	19,800 *	17,900 *	16,300 *	14,300 *	13,200 *	11,000 *	9,300 *
90	59.2	21,800 *	20,300 *	19,000 *	17,200 *	16,300 *	14,600 *	13,000 *	11,000 *	9,900 *		
95	57.1	19,000 *	17,400 *	16,100 *	14,600 *	13,700 *	11,900 *	10,400 *	8,400 *			
100	54.9	16,300 *	14,800 *	13,700 *	11,900 *	11,000 *	9,300 *					
105	52.6	14,300 *	12,800 *	11,500 *	9,900 *	9,000 *						
110	50.3	12,100 *	10,600 *	9,300 *								
115	47.9	10,400 *	8,800 *									
120	45.3	8,600 *										

170' Boom

Load Radius (ft.)	Boom Angle (deg)	Jib Length (ft.)										
		70	80	90	100	110	120	130	140	150	160	170
		38	80.1	102,500 *	100,500 *	98,800 *	96,300 *	95,000 *	92,600 *	90,400 *	87,500 *	86,000 *
40	79.4	95,900 *	93,900 *	92,400 *	89,900 *	88,600 *	86,200 *	84,200 *	81,600 *	79,800 *	76,900 *	74,500 *
45	77.6	82,200 *	80,500 *	78,700 *	76,700 *	75,400 *	73,000 *	71,000 *	68,600 *	67,000 *	64,400 *	61,900 *
50	75.9	71,000 *	69,000 *	67,700 *	65,500 *	64,400 *	62,200 *	60,200 *	57,800 *	56,400 *	53,800 *	51,600 *
55	74.1	60,000 *	58,200 *	56,900 *	54,900 *	53,800 *	51,600 *	49,800 *	47,400 *	46,100 *	43,700 *	41,400 *
60	72.4	51,400 *	49,600 *	48,300 *	46,300 *	45,200 *	43,200 *	41,400 *	39,200 *	37,900 *	35,500 *	33,500 *
65	70.6	44,100 *	42,300 *	41,000 *	39,200 *	38,100 *	36,200 *	34,400 *	32,200 *	31,100 *	28,700 *	26,700 *
70	68.8	38,100 *	36,400 *	35,100 *	33,300 *	32,200 *	30,200 *	28,700 *	26,500 *	25,400 *	22,900 *	21,200 *
75	66.9	33,100 *	31,300 *	30,000 *	28,200 *	27,300 *	25,400 *	23,800 *	21,800 *	20,500 *	18,300 *	16,500 *
80	65.1	28,700 *	27,100 *	25,800 *	24,000 *	23,100 *	21,200 *	19,600 *	17,600 *	16,500 *	14,300 *	12,600 *
85	63.2	24,900 *	23,400 *	22,000 *	20,300 *	19,400 *	17,600 *	16,100 *	14,100 *	13,000 *	10,800 *	9,300 *
90	61.2	21,600 *	20,100 *	19,000 *	17,200 *	16,300 *	14,600 *	13,000 *	11,000 *	9,900 *		
95	59.3	18,700 *	17,200 *	15,900 *	14,100 *	13,400 *	11,500 *	10,100 *	8,200 *			
100	57.3	16,100 *	14,600 *	13,200 *	11,700 *	10,800 *	9,000 *					
105	55.2	13,900 *	12,300 *	11,200 *	9,500 *	8,600 *						
110	53.1	11,700 *	10,100 *	9,000 *								
115	50.9	9,900 *	8,400 *									
120	48.7	8,200 *										

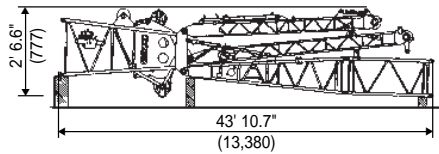
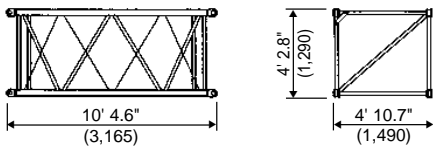
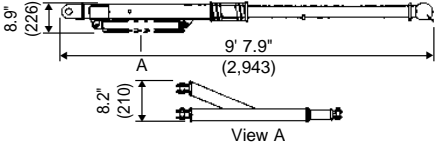
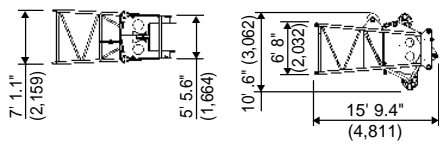
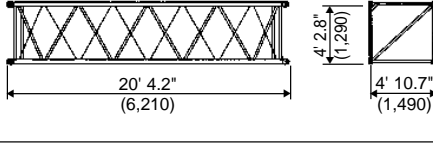
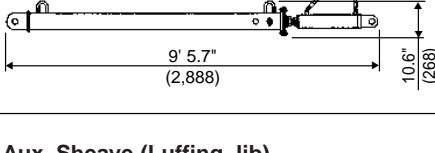
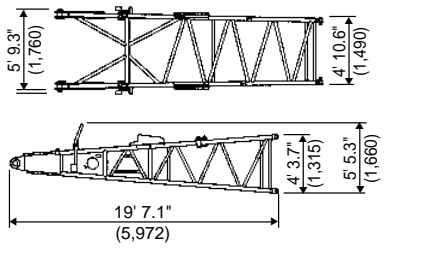
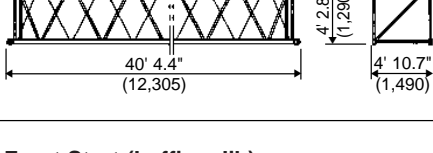
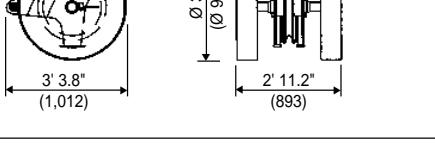
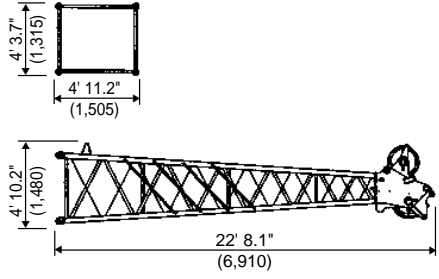
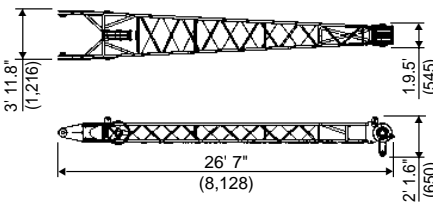
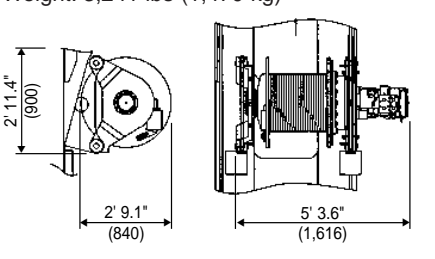
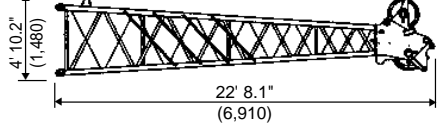
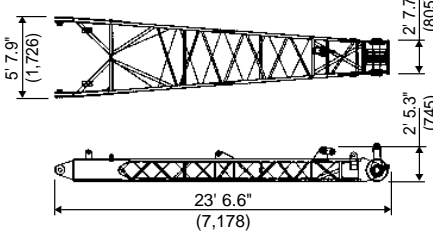
180' Boom

Load Radius (ft.)	Boom Angle (deg)	Jib Length (ft.)										
		70	80	90	100	110	120	130	140	150	160	170
		40	80.0	93,900 *	91,900 *	90,200 *	88,000 *	86,600 *	84,200 *	82,200 *	79,600 *	77,800 *
45	78.3	80,200 *	78,500 *	76,900 *	74,700 *	73,600 *	71,200 *	69,200 *	66,800 *	65,300 *	62,600 *	60,200 *
50	76.7	69,700 *	67,900 *	66,400 *	64,400 *	63,300 *	61,100 *	59,100 *	56,700 *	55,300 *	52,700 *	50,500 *
55	75.1	59,700 *	58,000 *	56,400 *	54,500 *	53,400 *	51,400 *	49,600 *	47,200 *	45,900 *	43,400 *	41,400 *
60	73.4	50,900 *	49,200 *	47,800 *	45,900 *	45,000 *	42,800 *	41,200 *	39,000 *	37,700 *	35,300 *	33,300 *
65	71.7	43,700 *	42,100 *	40,800 *	38,800 *	37,900 *	35,900 *	34,200 *	32,000 *	30,900 *	28,700 *	26,700 *
70	70.0	37,700 *	35,900 *	34,600 *	32,800 *	32,000 *	30,000 *	28,400 *	26,200 *	25,100 *	22,900 *	20,900 *
75	68.3	32,600 *	31,100 *	29,800 *	28,000 *	27,100 *	25,100 *	23,600 *	21,600 *	20,300 *	18,300 *	16,300 *
80	66.5	28,200 *	26,700 *	25,400 *	23,600 *	22,700 *	20,900 *	19,400 *	17,400 *	16,300 *	14,100 *	12,300 *
85	64.8	24,500 *	22,900 *	21,800 *	20,100 *	19,200 *	17,400 *	15,900 *	13,900 *	12,800 *	10,800 *	9,000 *
90	63.0	21,200 *	19,600 *	18,300 *	16,500 *	15,900 *	13,900 *	12,600 *	10,600 *	9,500 *		
95	61.2	18,300 *	16,800 *	15,400 *	13,900 *	13,000 *	11,200 *	9,900 *				
100	59.3	15,700 *	14,100 *	13,000 *	11,200 *	10,600 *	8,800 *					
105	57.4	13,400 *	11,900 *	10,800 *	9,300 *	8,400 *						
110	55.5	11,200 *	9,900 *	8,600 *								
115	53.5	9,300 *										



Specification of Luffing Jib Attachments

Dimensions: ft-in (mm) - Weight: lbs (kg)

<p>Luffing Boom Tip Assembly Weight: 14,550 lbs (6,600 kg)</p> 	<p>10ft (3.0 m) Insert Jib Weight: 684 lbs (310 kg)</p> 	<p>Luffing Jib Backstop Weight: 220 lbs (100 kg)</p> 
<p>Luffing Upper Boom Weight: 5,170 lbs (2,345 kg)</p> 	<p>20ft (6.1 m) Insert Jib Weight: 1,147 lbs (540 kg)</p> 	<p>Strut Backstop (Luffing Jib) Weight: 397 lbs (180)</p> 
<p>Luffing Jib Base Weight: 2,514 lbs (1,140 kg)</p> 	<p>40ft (12.2 m) Insert Jib (Luffing Jib) Weight: 2,117 lbs (960 kg)</p> 	<p>Aux. Sheave (Luffing Jib) Weight: 838 lbs (380 kg)</p> 
<p>Luffing Jib Tip Weight: 2,580 lbs (1,170 kg)</p> 	<p>Front Strut (Luffing Jib) Weight: 2,200 lbs (997 kg)</p> 	<p>Luffing Jib Drum Weight: 3,241 lbs (1,470 kg)</p> 
<p>Luffing Jib Tip Weight: 2,580 lbs (1,170 kg)</p> 	<p>Rear Strut (Luffing Jib) Weight: 2,400 lbs (1,088 kg)</p> 	



CK2000-II Luffing Jib

Bigge Crane and Rigging Co.

10700 Bigge Avenue
San Leandro, CA 94577
Phone: (888) 337-BIGGE or (510) 638-8100
Fax: (510) 639-4053
Email: info@bigge.com
Web site: www.bigge.com

Note: Due to our policy of continual product improvement, all designs and specifications are subject to change without advance notice. Pictures inside this publication may show machines with optional equipment. This manual and the specifications herein were prepared for the market served by Kobelco Cranes North America Inc. including North America and Latin America. Kobelco product specifications in other world markets may differ.

KOBELCO CRANES CO., LTD

Oval Court Ohsaki Mark West Bldg., 17-1, Higashigotanda 2-chome,
Shinagawa-ku, Tokyo, 141-8626 JAPAN
Tel: ++81 (0) 3-5789-2130 Fax: ++81 (0) 3-5789-3372

KOBELCO CRANES NORTH AMERICA INC.

10845 Train Court
Houston Texas 77041 U.S.A
Tel: 713-856-5755 Fax: 713-856-9072
www.kobelcocranesnorthamerica.com

