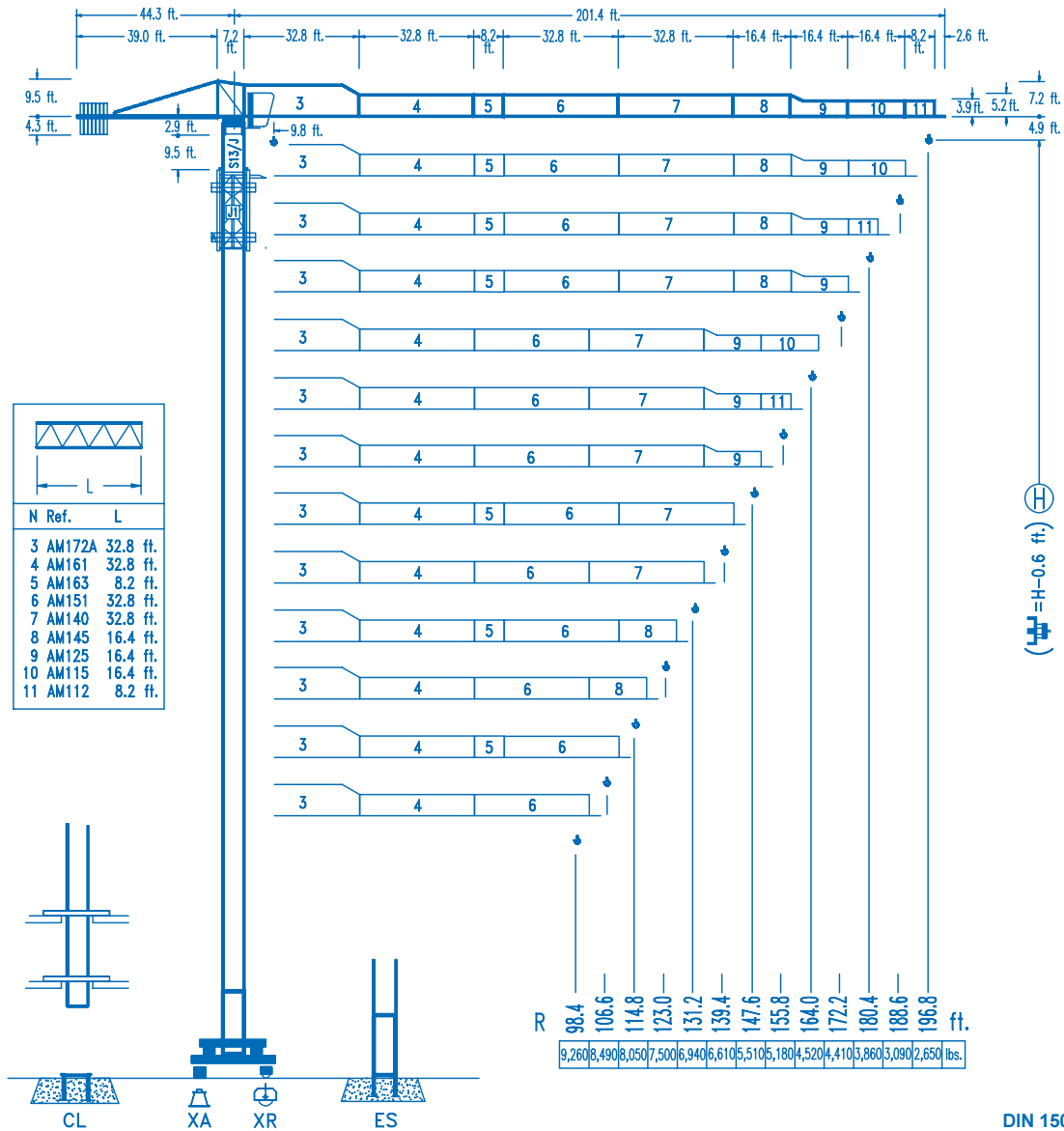


LINDEN COMANSA

LINDEN 1100

11 LC 132

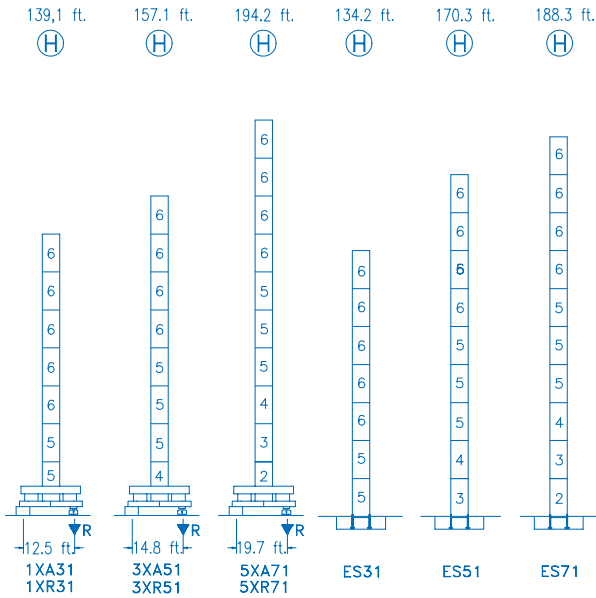
13,230 lbs.



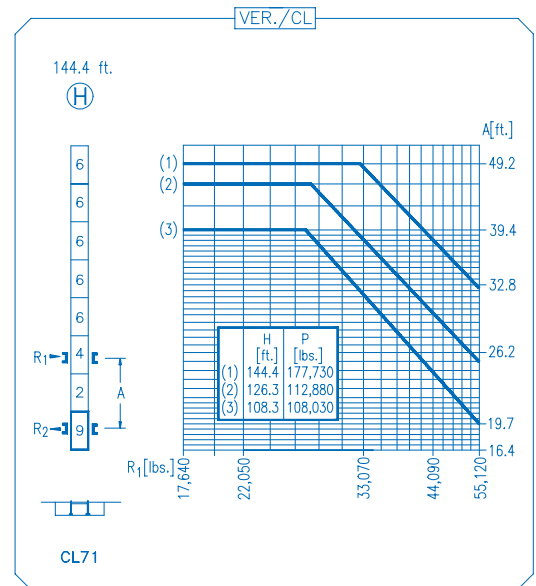
R																														
196.8	47.9	55.8	65.6	75.5	83.7	93.2	98.4	106.6	114.8	123.0	131.2	139.4	147.6	155.8	164.0	172.2	180.4	188.6	196.8 ft.											
13,230	11,000	9,020	7,560	6,610	6,610	6,190	5,640	5,180	4,760	4,410	4,100	3,810	3,570	3,350	3,150	2,950	2,800	2,650 lbs.												
188.6	51.2	55.8	65.6	75.5	82.0	89.9	100.4	106.6	114.8	123.0	131.2	139.4	147.6	155.8	164.0	172.2	180.4	188.6 ft.												
13,230	11,970	9,830	8,290	7,450	6,610	6,610	6,150	5,640	5,200	4,830	4,500	4,190	3,920	3,680	3,460	3,260	3,090 lbs.													
180.4	58.4	65.6	75.5	82.0	91.9	98.4	102.4	114.5	123.0	131.2	139.4	147.6	155.8	164.0	172.2	180.4 ft.														
13,230	11,490	9,700	8,750	7,610	6,970	6,610	6,610	6,080	5,640	5,270	4,920	4,610	4,340	4,080	3,860 lbs.															
172.2	61.7	65.6	75.5	82.0	91.9	98.4	105.0	108.9	122.0	131.2	139.4	147.6	155.8	164.0	172.2 ft.															
13,230	12,320	10,430	9,440	8,200	7,520	6,920	6,610	6,610	6,080	5,670	5,290	4,960	4,670	4,410 lbs.																
164.0	60.0	65.6	75.5	82.0	91.9	98.4	105.6	118.4	123.0	131.2	139.4	147.6	155.8	164.0 ft.																
13,230	11,930	10,080	9,100	7,910	7,250	6,610	6,330	5,890	5,470	5,110	4,810	4,520 lbs.																		
155.8	64.0	75.5	82.0	91.9	98.4	105.0	112.5	126.3	131.2	139.4	147.6	155.8 ft.																		
13,230	10,850	9,810	8,530	7,830	7,230	6,610	6,330	5,910	5,510	5,180 lbs.																				
147.6	63.6	75.5	82.0	91.9	98.4	105.0	112.2	126.0	131.2	139.4	147.6 ft.																			
13,230	10,820	9,790	8,510	7,800	7,210	6,610	6,330	5,890	5,510 lbs.																					
139.4	77.1	82.0	91.9	98.4	105.0	114.8	121.4	136.2	139.4 ft.																					
13,230	12,320	10,760	9,920	9,170	8,200	7,650	6,610	6,610 lbs.																						
131.2	76.4	82.0	91.9	98.4	105.0	114.8	121.4	131.2 ft.																						
13,230	12,170	10,630	9,790	9,060	8,110	7,560	6,940 lbs.																							
123.0	76.1	82.0	91.9	98.4	105.0	114.8	123.0 ft.																							
13,230	12,100	10,580	9,720	8,990	8,050	7,500 lbs.																								

DS.0840.04 10/08 Reserva de modificaciones.- Subject to modifications.- Modifications réservées.- Konstruktionsänderungen vorbehalten.





N Ref.	h
2	TS15 18.0 ft.
3	S14 18.0 ft.
4	TS14 18.0 ft.
5	S13 18.0 ft.
6	S12 18.0 ft.
9	CLS15 10.2 ft.



R. máx.	En servicio	1XR31 ... 155.200 lbs.
	In operation	3XR51 ... 148.590 lbs.
	En service	5XR71 ... 153.440 lbs.
	In Betrieb	

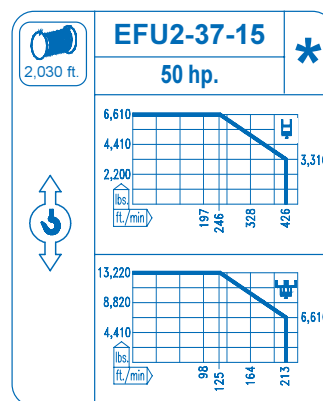
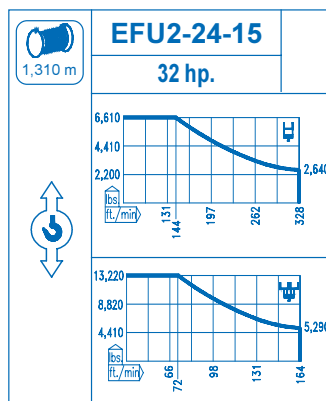
R. máx.	Fuera de servicio	1XR31 ... 199.740 lbs.
	Out of service	3XR51 ... 216.270 lbs.
	Hors service	5XR71 ... 252.870 lbs.
	Ausser Betrieb	

CFU-4.0
5.4 hp.
0 ⇄ 295 ft./min

GR-5.5
2x40 ft.lbs.
0 ⇄ 0.7 rpm

TS2-5.5 **TRA-7.5**
2x40 ft.lbs. 2x55 ft.lbs.
0 ⇄ 65 ft./min
1XR31 3XR51 5XR 71

TRA-7.5VC
2x55 ft.lbs.
0 ⇄ 65 ft./min
5XR71



Tensión de alimentación	480 V
Operating voltage	3 ph
Tension de service	60 Hz
Betriebsspannung	

Optional	*
Optional	
En option	
Kaufoption	

LINDEN COMANSA
Construcciones Metálicas COMANSA S. A.

Tel.: (34) 948 335 020
Fax: (34) 948 330 810
e-mail: info@comansa.com
www.comansa.com
Polígono Urbizkain
E-31620 HUARTE-PAMPLONA.- SPAIN

DS.0840.04	10/08	11 LC 132	13,230 lbs.
-------------------	-------	------------------	--------------------

