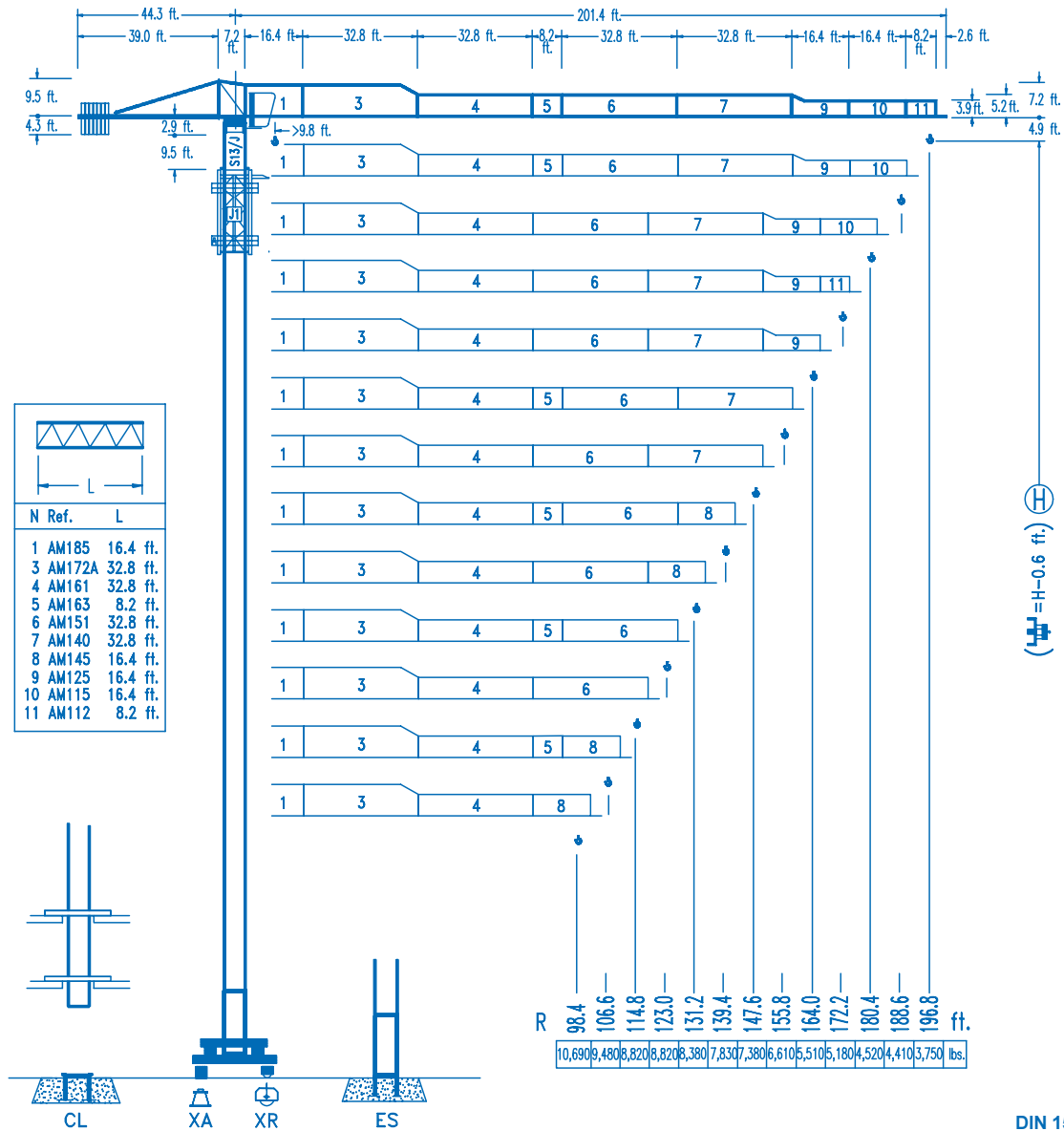


LINDEN COMANSA

LINDEN 1100

11 LC 150

17,640 lbs.

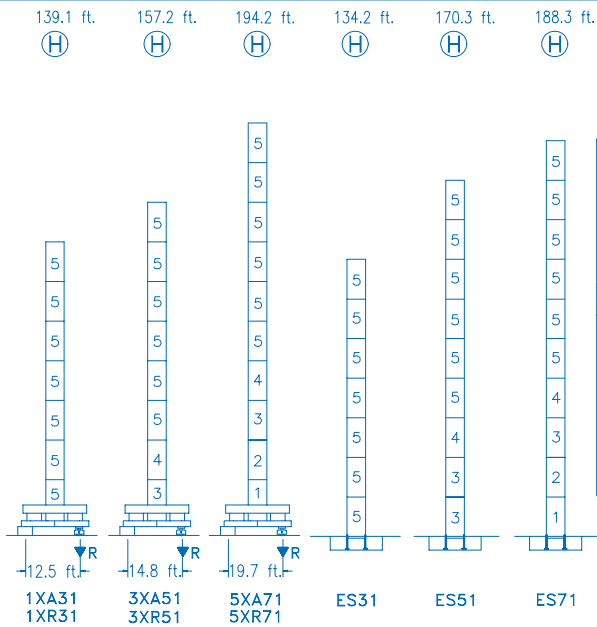


CE
DIN 15018 H1 B3

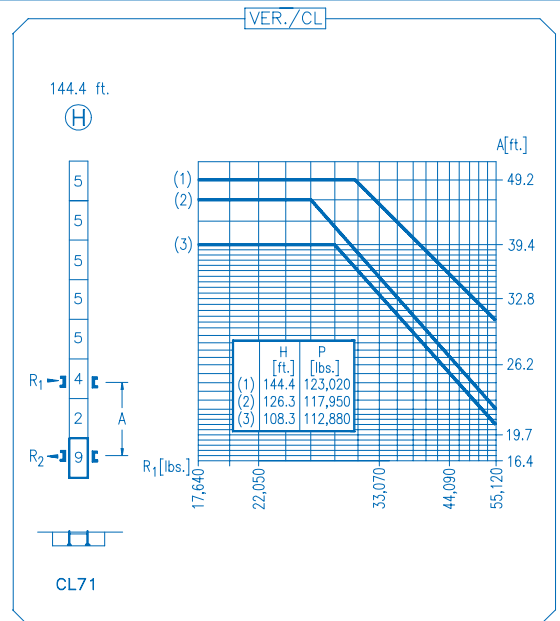
R	10,690	9,480	8,820	8,820	8,380	7,830	7,380	6,610	5,510	5,180	4,520	4,410	3,750	(lbs.)
98.4	10,690	9,480	8,820	8,820	8,380	7,830	7,380	6,610	5,510	5,180	4,520	4,410	3,750	17,640
106.6	10,690	9,480	8,820	8,820	8,380	7,830	7,380	6,610	5,510	5,180	4,520	4,410	3,750	17,640
114.8	10,690	9,480	8,820	8,820	8,380	7,830	7,380	6,610	5,510	5,180	4,520	4,410	3,750	17,640
123.0	10,690	9,480	8,820	8,820	8,380	7,830	7,380	6,610	5,510	5,180	4,520	4,410	3,750	17,640
131.2	10,690	9,480	8,820	8,820	8,380	7,830	7,380	6,610	5,510	5,180	4,520	4,410	3,750	17,640
139.4	10,690	9,480	8,820	8,820	8,380	7,830	7,380	6,610	5,510	5,180	4,520	4,410	3,750	17,640
147.6	10,690	9,480	8,820	8,820	8,380	7,830	7,380	6,610	5,510	5,180	4,520	4,410	3,750	17,640
155.8	10,690	9,480	8,820	8,820	8,380	7,830	7,380	6,610	5,510	5,180	4,520	4,410	3,750	17,640
164.0	10,690	9,480	8,820	8,820	8,380	7,830	7,380	6,610	5,510	5,180	4,520	4,410	3,750	17,640
172.2	10,690	9,480	8,820	8,820	8,380	7,830	7,380	6,610	5,510	5,180	4,520	4,410	3,750	17,640
180.4	10,690	9,480	8,820	8,820	8,380	7,830	7,380	6,610	5,510	5,180	4,520	4,410	3,750	17,640
188.6	10,690	9,480	8,820	8,820	8,380	7,830	7,380	6,610	5,510	5,180	4,520	4,410	3,750	17,640
196.8	10,690	9,480	8,820	8,820	8,380	7,830	7,380	6,610	5,510	5,180	4,520	4,410	3,750	17,640

DS.0840.05 10/08 Reserva de modificaciones.- Subject to modifications.- Modifications réservées.- Konstruktionsänderungen vorbehalten.





N	Ref.	h
1	S15	18.0 ft.
2	TS15	18.0 ft.
3	S14	18.0 ft.
4	TS14	18.0 ft.
5	S13	18.0 ft.
9	CLS15	10.2 ft.



R. máx.	En servicio	1XR31 ... 168,650 lbs.
	In operation	3XR51 ... 162,260 lbs.
	En service	5XR71 ... 147,710 lbs.
	In Betrieb	

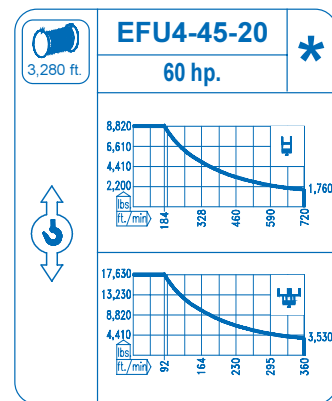
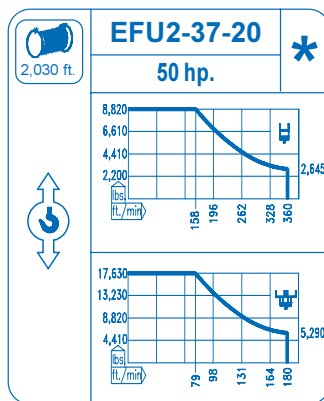
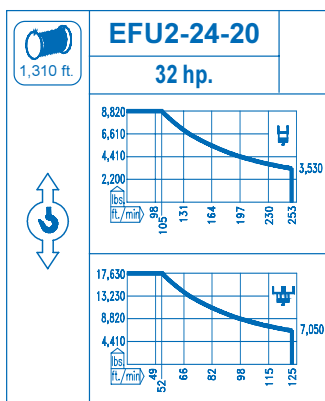
R. máx.	Fuera de servicio	1XR31 ... 202,160 lbs.
	Out of service	3XR51 ... 220,680 lbs.
	Hors service	5XR71 ... 230,160 lbs.
	Ausser Betrieb	

CFU-4.0
5.4 hp.
0 ⇄ 295 ft./min

GR-7.5
2 x 55 ft.lbs.
0 ⇄ 0.7 rpm

TS2-5.5 2x40 ft.lbs.
TRA-7.5 2x55 ft.lbs.
0 ⇄ 65 ft./min
1XR31 3XR51 5XR 71

TRA-7.5VC 2x55 ft.lbs.
0 ⇄ 65 ft./min
5XR71 *



Tensión de alimentación	480 V
Operating voltage	3 ph
Tension de service	60 Hz
Betriebsspannung	

Optional	*
Optional	
En option	
Kaufoption	



Tel.: (34) 948 335 020
Fax: (34) 948 330 810
e-mail: info@comansa.com
www.comansa.com

Polígono Urbizkain
E-31620 HUARTE-PAMPLONA.- SPAIN

DS.0840.05	10/08	11 LC 150	17,640 lbs.
-------------------	-------	------------------	--------------------

