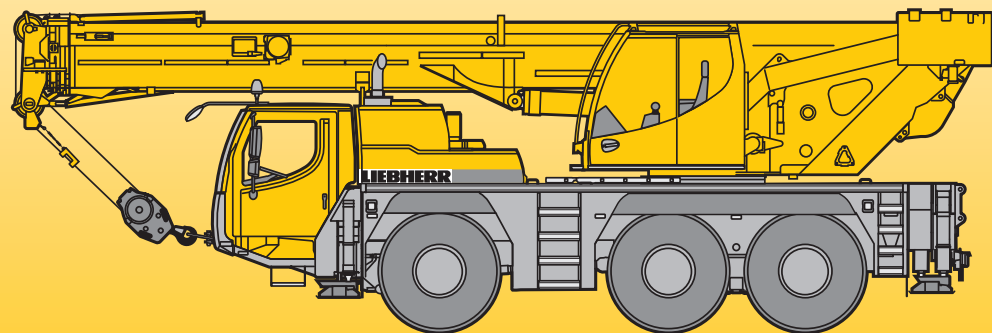


**Mobile Crane
Grue mobile**

LTM 1050-3.1

**Technical Data
Caractéristiques techniques**



LIEBHERR

Lifting capacities on telescopic boom Forces de levage à la flèche télescopique

37 - 125 ft

360°

19800 lbs

85%

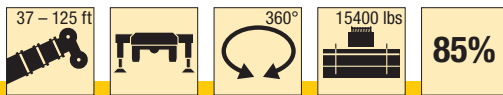
ft	37 ft		55 ft		72 ft		90 ft		107 ft		117 ft		125 ft		ft
	*			**		**		**		**		**		**	
10	110.2	92.6	54.8	44.5	54.2	42.2	37.5	34.9							10
11	104.7	90	56.2	44.5	54.7	42	37.3	34.7							11
12	97.4	85.4	57.4	44.5	55.2	41.9	36.9	34.5							12
13	91.7	81	58.4	44.5	55.4	41.7	36.6	34.3	25.4	23.5					13
14	86.2	76.8	59.2	44.5	55.1	41.6	36.2	34.1	25.3	23.3					14
15	81.3	72.6	60.1	44.5	54.4	41.5	35.8	33.9	25.2	23.1					15
16	76.9	68.9	61	44.5	53.7	41.4	35.4	33.7	25	22.8	21	15.3			16
17	73.1	65.5	62	44.5	52.8	41.4	35	33.5	24.8	22.6	20.9	15.1	16.8	9.3	17
18	69.4	62.1	61.4	44.5	51.8	41.3	34.5	33.3	24.7	22.4	20.9	14.9	16.7	8.6	18
19	66.2	58.7	59.3	44.5	50.9	41.2	34	33.1	24.4	22.2	20.7	14.7	16.6	8.3	19
20	63	55.4	56.3	44.5	49.7	41.2	33.5	32.9	24.2	22	20.6	14.5	16.5	8.1	20
22	57.5	49.9	50.6	44.5	47.4	41.1	32.4	32.3	23.8	21.6	20.4	14.1	16.1	7.8	22
24	49.8	44.7	45.4	44.2	44.8	41	31.1	31.1	23.2	21.2	20	13.8	15.8	7.6	24
26	39.7	39.7	41.2	41.2	41.4	40.5	29.8	29.8	22.6	20.8	19.7	13.4	15.4	7.4	26
28			36.7	36.7	37	37	28.5	28.5	22	20.5	19.2	13.1	15.1	7.1	28
30			33.4	33.4	33.6	33.6	27.2	27.2	21.3	20.2	18.6	12.8	14.8	6.9	30
32			30.2	30.2	30.7	30.7	26	26	20.6	19.9	18	12.5	14.4	6.7	32
34			27.4	27.4	27.6	27.6	24.9	24.9	19.8	18.8	17.5	12.3	14.1	6.5	34
36			25.2	25.2	25.4	25.4	23.8	23.8	19	17.9	17	12	13.8	6.3	36
38			23.3	23.3	23.5	23.5	22.9	22.9	18.1	17.7	16.5	11.7	13.5	6.1	38
40			21.6	21.6	21.7	21.7	21.8	21.8	17.4	17.2	16	11.5	13.2	5.9	40
45					17.7	17.7	17.8	17.8	15.9	15.9	14.9	10.9	12.5	5.5	45
50					15.1	15.1	15.2	15.2	14.8	14.8	13.9	10.5	11.8	5.2	50
55					12.9	12.9	13.2	13.2	13.2	13.2	12.9	9.8	11.1	4.7	55
60					11.1	11.1	11.3	11.3	11.5	11.5	11.5	8.5	10.6	3.7	60
65							9.5	9.5	9.9	9.9	9.5	8.1	9.6	2.9	65
70							8.4	8.4	8.5	8.5	8.4	7.5	8.5	2.3	70
75							7.5	7.5	7.6	7.6	7.5	6.2	7.6		75
80									6.7	6.7	6.7	5.1	6.7		80
85									5.9	5.9	6	4.1	6		85
90									5.2	5.2	5.2	3.3	5.3		90
95									4.6	4.6	4.6	2.6	4.7		95
100											4.1	2	4.1		100
105											3.6		3.6		105
110													3.1		110

* over rear - sur arrière

** telescopic loads - capacités de levage en télescopage

t_185_00011_00_001 / t_185_00111_00_001

Lifting capacities on telescopic boom Forces de levage à la flèche télescopique



ft	37 ft		55 ft		72 ft		90 ft		107 ft		117 ft		125 ft		ft
		**		**		**		**		**		**		**	
10	92.6	54.8	44.5	54.2	42.2	37.5	34.9							10	
11	89.8	56.2	44.5	54.7	42	37.3	34.7							11	
12	85.1	57.4	44.5	55.2	41.9	36.9	34.5							12	
13	80.5	58.4	44.5	55.4	41.7	36.6	34.3	25.4	23.5					13	
14	76	59.2	44.5	55.1	41.6	36.2	34.1	25.3	23.3					14	
15	71.8	60.1	44.5	54.4	41.5	35.8	33.9	25.2	23.1					15	
16	67.9	61	44.5	53.7	41.4	35.4	33.7	25	22.8	21	15.3			16	
17	64.2	62	44.5	52.8	41.4	35	33.5	24.8	22.6	20.9	15.1	16.8	9.3	17	
18	60.5	60.8	44.5	51.8	41.3	34.5	33.3	24.7	22.4	20.9	14.9	16.7	8.6	18	
19	57.1	57.5	44.5	50.9	41.2	34	33.1	24.4	22.2	20.7	14.7	16.6	8.3	19	
20	53.8	54.5	44.5	49.7	41.2	33.5	32.9	24.2	22	20.6	14.5	16.5	8.1	20	
22	47.9	48.5	44.5	47	41.1	32.4	32.3	23.8	21.6	20.4	14.1	16.1	7.8	22	
24	42.7	43.6	43.6	43.5	40.7	31.1	31.1	23.2	21.2	20	13.8	15.8	7.6	24	
26	37.4	38.6	38.6	39	39	29.8	29.8	22.6	20.8	19.7	13.4	15.4	7.4	26	
28		34.5	34.5	34.8	34.8	28.5	28.5	22	20.5	19.2	13.1	15.1	7.1	28	
30		31.3	31.3	31.5	31.5	27.2	27.2	21.3	20.2	18.6	12.8	14.8	6.9	30	
32		28.1	28.1	28	28	26	26	20.6	19.9	18	12.5	14.4	6.7	32	
34		25.5	25.5	25.6	25.6	24.9	24.9	19.8	18.8	17.5	12.3	14.1	6.5	34	
36		23.3	23.3	23.6	23.6	23.3	23.3	19	17.9	17	12	13.8	6.3	36	
38		21.2	21.2	21.6	21.6	21.7	21.7	18.1	17.7	16.5	11.7	13.5	6.1	38	
40		19.3	19.3	19.4	19.4	20	20	17.4	17.2	16	11.5	13.2	5.9	40	
45				16.2	16.2	16.4	16.4	15.9	15.9	14.9	10.9	12.5	5.5	45	
50				13.5	13.5	13.8	13.8	14	14	13.6	10.5	11.8	5.2	50	
55				11.4	11.4	11.7	11.7	11.8	11.8	11.8	9.8	11.1	4.7	55	
60				9.8	9.8	9.8	9.8	9.9	9.9	10	8.5	9.9	3.7	60	
65						8.5	8.5	8.6	8.6	8.5	8.1	8.5	2.9	65	
70						7.4	7.4	7.5	7.5	7.4	7.4	7.4	2.3	70	
75						6.4	6.4	6.6	6.6	6.5	6.2	6.5		75	
80								5.7	5.7	5.7	5.1	5.7		80	
85								4.9	4.9	5	4.1	5		85	
90								4.3	4.3	4.3	3.3	4.4		90	
95								3.7	3.7	3.7	2.6	3.8		95	
100										3.2	2	3.3		100	
105										2.8		2.8		105	
110												2.4		110	

** telescopic loads - capacités de levage en télescopage

t_185_00113_00_001

Lifting capacities on telescopic boom Forces de levage à la flèche télescopique

ft	37 - 125 ft		360°		12800 lbs		85%										ft
	37 ft	55 ft	**	**	**	**	**	**	**	**	**	**	**	**			
10	92.6	54.8	44.5	54.2	42.2	37.5	34.9										10
11	89.7	56.2	44.5	54.7	42	37.3	34.7										11
12	85	57.4	44.5	55.2	41.9	36.9	34.5										12
13	80.2	58.4	44.5	55.4	41.7	36.6	34.3	25.4	23.5								13
14	75.6	59.2	44.5	55.1	41.6	36.2	34.1	25.3	23.3								14
15	71.4	60.1	44.5	54.4	41.5	35.8	33.9	25.2	23.1								15
16	67.4	61	44.5	53.7	41.4	35.4	33.7	25	22.8	21	15.3						16
17	63.5	61.8	44.5	52.8	41.4	35	33.5	24.8	22.6	20.9	15.1	16.8	9.3				17
18	59.7	60.4	44.5	51.8	41.3	34.5	33.3	24.7	22.4	20.9	14.9	16.7	8.6				18
19	56.3	56.9	44.5	50.9	41.2	34	33.1	24.4	22.2	20.7	14.7	16.6	8.3				19
20	52.9	53.7	44.5	49.7	41.2	33.5	32.9	24.2	22	20.6	14.5	16.5	8.1				20
22	47	47.7	44.5	46.4	41.1	32.4	32.3	23.8	21.6	20.4	14.1	16.1	7.8				22
24	41.4	42.1	42.1	41.5	40.2	31.1	31.1	23.2	21.2	20	13.8	15.8	7.6				24
26	36.3	37.2	37.2	37	37	29.8	29.8	22.6	20.8	19.7	13.4	15.4	7.4				26
28		33.3	33.3	33.2	33.2	28.5	28.5	22	20.5	19.2	13.1	15.1	7.1				28
30		29.7	29.7	30	30	27.2	27.2	21.3	20.2	18.6	12.8	14.8	6.9				30
32		26.9	26.9	27	27	25.7	25.7	20.6	19.9	18	12.5	14.4	6.7				32
34		24.4	24.4	24.7	24.7	23.9	23.9	19.8	18.8	17.5	12.3	14.1	6.5				34
36		22	22	22.4	22.4	22.1	22.1	19	17.9	17	12	13.8	6.3				36
38		20	20	20.4	20.4	20.4	20.4	18.1	17.7	16.5	11.7	13.5	6.1				38
40		18.3	18.3	18.6	18.6	18.8	18.8	17.4	17.2	16	11.5	13.2	5.9				40
45				15.3	15.3	15.5	15.5	15.3	15.3	14.7	10.9	12.5	5.5				45
50				12.7	12.7	12.9	12.9	13.1	13.1	12.8	10.5	11.8	5.2				50
55				10.7	10.7	10.9	10.9	11.1	11.1	11	9.8	10.9	4.7				55
60				9.1	9.1	9.1	9.1	9.3	9.3	9.2	8.5	9.2	3.7				60
65						7.9	7.9	8	8	7.9	7.9	7.9	2.9				65
70						6.9	6.9	6.9	6.9	6.8	6.8	6.9	2.3				70
75						5.9	5.9	6	6	6	6	6					75
80								5.2	5.2	5.2	5	5.2					80
85								4.5	4.5	4.5	4.1	4.6					85
90								3.9	3.9	3.9	3.3	4					90
95								3.3	3.3	3.3	2.6	3.4					95
100										2.8	2	2.9					100
105										2.4		2.5					105
110												2.1					110

** telescopic loads - capacités de levage en télescopage

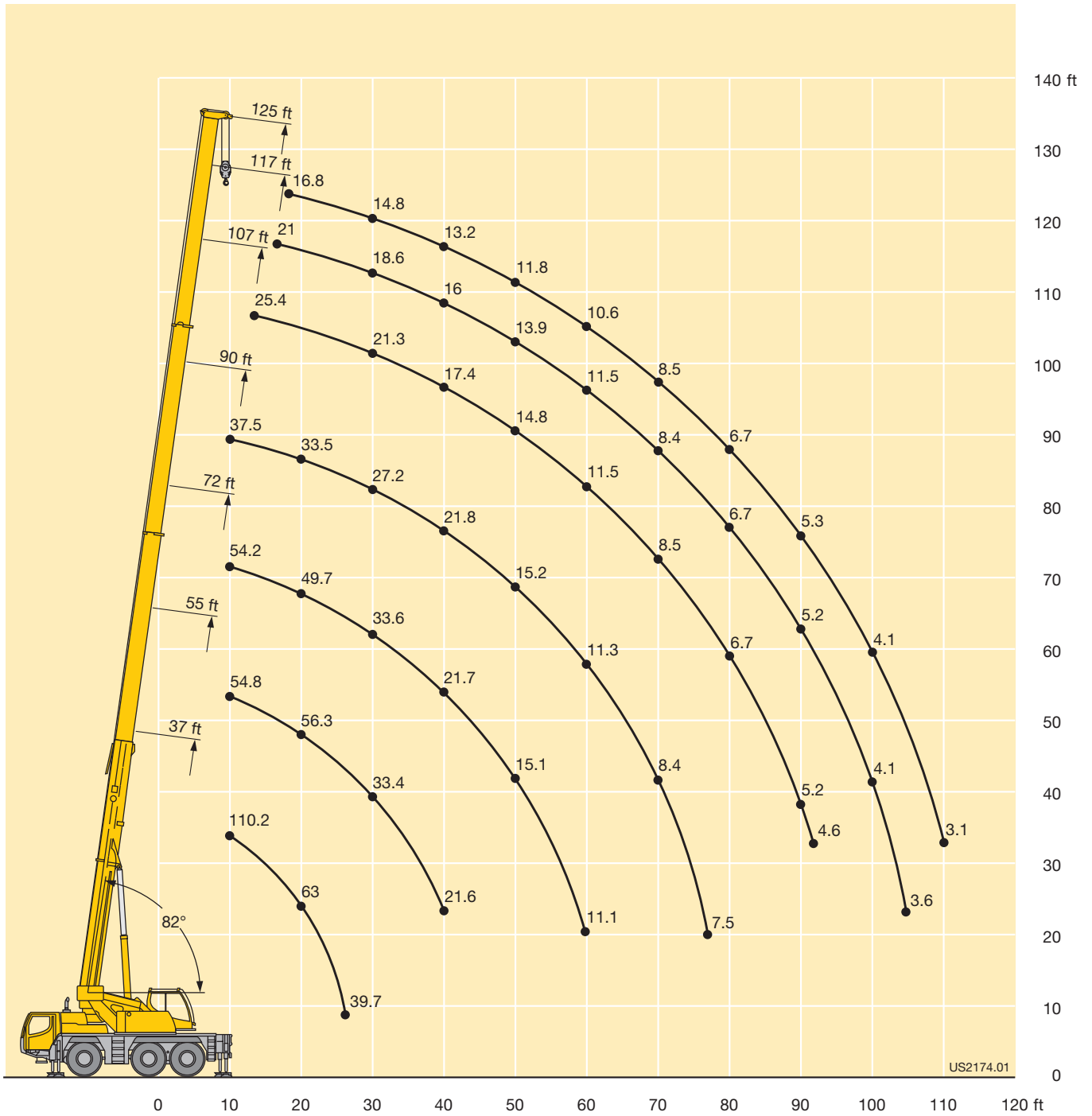
t_185_00116_00_001

ft	37 - 55 ft		0° / 360°		19800 lbs		15400 lbs		12800 lbs		85%										ft
	37 ft				55 ft																
	19800 lbs	15400 lbs	12800 lbs		19800 lbs	15400 lbs	12800 lbs														
	0°	360°	0°	360°	0°	**	360°	**	0°	**	360°	**	0°	**	360°	**					
10			29.8		28								24.9	24.9					10		
11			27.1		25.4								22.9	22.9					11		
12			24.6		23								21.1	21.1					12		
13			22.2		20.7								19.5	19.5					13		
14	22.8		20		18.6								18	18					14		
15	20.7		18.1		16.9								16.7	16.7					15		
16	18.9		16.5		15.3	12.3							15.5	15.5					16		
17	17.4		15.1		14	11.2	17.8	17.8					14.5	14.5					17		
18	16		13.8		12.8	10.2	16.7	16.7					13.6	13.6					18		
19	14.8		12.7	10.2	11.8	9.3	15.7	15.7					12.6	12.6					19		
20	13.7		11.7	9.3	10.8	8.4	14.6	14.6					11.7	11.7	9.4	9.4			20		
22	11.8		10	7.8	9.2	6.9	12.7	12.7					10.9	10.9	8.8	8.8	10.1	10.1	7.9	7.9	22
24	10.2	8.2	8.5	6.5	7.7	5.7	11.1	11.1					9.5	9.5	7.4	7.4	8.7	8.7	6.7	6.7	24
26	8.9	6.9	7.3	5.4	6.5	4.7	9.8	9.8					8.2	8.2	6.4	6.4	7.5	7.5	5.6	5.6	26
28							8.6	8.6					7.1	7.1	5.4	5.4	6.5	6.5	4.7	4.7	28
30							7.6	7.6	5.9	5.9			6.2	6.2	4.6	4.6	5.6	5.6	3.9	3.9	30
32							6.7	6.7	5.2	5.2	5.4	5.4	3.9	3.9	4.8	4.8	3.1	3.1			32
34							5.9	5.9	4.5	4.5	4.7	4.7	3.2	3.2	4.1	4.1	2.3	2.3			34
36							5.2	5.2	3.8	3.8	4.1	4.1	2.4	2.4	3.5	3.5	1.7	1.7			36
38							4.6	4.6	3.3	3.3	3.5	3.5	1.9	1.9	3	3					38
40							4	4	2.8	2.8	3	3			2.4	2.4					40

** telescopic loads - capacités de levage en télescopage

t_185_03111_00_001 / 03211_00_001 / 03113_00_001 / 03213_00_001 / 03116_00_001 / 03216_00_001

Lifting heights Hauteurs de levage



US2174.01

Lifting capacities on the folding jib Forces de levage à la fléchette pliante



ft	37 ft				90 ft								107 ft								ft	
	30 ft				30 ft								30 ft									
	0°	20°	40°	60°	0°	**	20°	**	40°	**	60°	**	0°	**	20°	**	40°	**	60°	**		
10	13.5																				10	
11	13.3																					11
12	13.2																					12
13	13.1	11.6			14.2	14.2																13
14	12.9	11.5			14.1	14.1																14
15	12.8	11.3			14.1	14.1																15
16	12.6	11.2			14	14																16
17	12.5	11			14	14							11.7	11.7								17
18	12.3	10.9			13.9	13.9							11.7	11.7								18
19	12.2	10.7			13.9	13.9							11.7	11.7								19
20	12	10.6			13.8	13.8							11.7	11.7								20
22	11.7	10.3	8.7		13.7	13.7							11.6	11.6								22
24	11.4	10.1	8.5		13.5	13.5	11.5	11.5					11.5	11.5								24
26	11.1	9.7	8.4	6.3	13.4	13.4	11.4	11.4					11.5	11.5								26
28	10.8	9.3	8.2	6.2	13.2	13.2	11.2	11.2					11.3	11.3	9.2	9.2						28
30	10.5	8.9	8.1	6.1	13.1	13.1	11	11					11.2	11.2	9.1	9.1						30
32	10.2	8.7	8	6.1	12.9	12.9	10.9	10.9	8.7	8.7			11.1	11.1	9.1	9.1						32
34	10	8.5	7.9	6	12.8	12.8	10.7	10.7	8.6	8.6			11	11	9.1	9.1						34
36	9.7	8.4	7.8	6	12.6	12.6	10.5	10.5	8.5	8.5			10.9	10.9	9	9						36
38	9.4	8.2	7.8	6	12.4	12.4	10.4	10.4	8.4	8.4	6.2	6.2	10.8	10.8	9	9	8.2	8.2				38
40	9	8.1	7.7	6	12.3	12.3	10.2	10.2	8.3	8.3	6.2	6.2	10.6	10.6	8.9	8.9	8.1	8.1				40
45	8.3	7.9	7.7		11.8	11.8	9.9	9.9	8.2	8.2	6.1	6.1	10	10	8.8	8.8	8	8	6.1	6.1		45
50	7.6	7.8			11.4	11.4	9.3	9.3	8	8	6	6	9.8	9.8	8.7	8.7	7.9	7.9	6	6		50
55	7	7.2			10.9	10.9	8.8	8.8	7.9	7.9	6	6	9.6	9.6	8.6	8.6	7.8	7.8	6	6		55
60					10.5	10.5	8.6	8.6	7.8	7.8	6	6	9.2	9.2	8.4	8.4	7.7	7.7	6	6		60
65					10	10	8.4	8.4	7.8	7.8			8.7	8.7	8.2	8.2	7.6	7.6	6	6		65
70					8.8	8.8	8.2	8.2	7.7	7.7			8.2	8.2	7.9	7.9	7.6	7.6	6	6		70
75					7.8	7.8	8	8	7.7	7.7			7.6	7.6	7.6	7.6	7.5	7.5				75
80					7	7	7.4	7.4	7.5	7.5			6.8	6.8	7.2	7.2	7.2	7.2				80
85					6.3	6.3	6.6	6.6	6.8	6.8			6.1	6.1	6.5	6.5	6.7	6.7				85
90					5.6	5.6	5.9	5.9					5.4	5.4	5.8	5.8	6	6				90
95					5	5	5.2	5.2					4.8	4.8	5.1	5.1	5.4	5.4				95
100					4.4	4.4	4.6	4.6					4.2	4.2	4.5	4.5	4.7	4.7				100
105					3.9	3.9							3.7	3.7	4	4						105
110													3.2	3.2	3.4	3.4						110
115													2.8	2.8	3	3						115
120													2.4	2.4								120
125													2.1	1.7								125

** telescopic loads - capacités de levage en télescopage

t_185_06111_00_001 / 06211_00_001 / 06311_00_001 / 06411_00_001

Lifting capacities on the folding jib Forces de levage à la fléchette pliante



ft	117 ft								125 ft								ft
	30 ft				30 ft				30 ft				30 ft				
	0°	**	20°	**	40°	**	60°	**	0°	**	20°	**	40°	**	60°	**	
20	10.4	10.4															20
22	10.3	10.3							8.6	6.5							22
24	10	10							8.6	6.2							24
26	9.6	9.6							8.6	5.9							26
28	9.5	9.5							8.5	5.7							28
30	9.4	9.3							8.5	5.5							30
32	9.3	9.1	8.1	8.1					8.4	5.3							32
34	9.2	8.9	8	8					8.4	5.1	7.4	4.8					34
36	9.1	8.7	8	8					8.3	4.9	7.4	4.6					36
38	9	8.5	7.9	7.9					8.2	4.7	7.4	4.5					38
40	8.9	8.3	7.9	7.8	7.4	7.4			8.1	4.5	7.3	4.3					40
45	8.8	7.8	7.8	7.4	7.3	7.2	6.1	6.1	7.9	4.1	7.1	3.9	6.7	3.8			45
50	8.6	7.4	7.8	7	7.3	6.8	6	6	7.6	3.7	6.8	3.6	6.4	3.5	6.1	3.3	50
55	8.5	7	7.7	6.7	7.3	6.5	6	6	7.2	3.4	6.5	3.2	6.1	2.9	5.9	2.7	55
60	8.4	6.6	7.7	6.4	7.3	6.2	6	6	6.8	2.8	6.2	2.6	5.8	2.4	5.7	2.3	60
65	8.1	6.3	7.6	6.1	7.3	5.9	6	5.8	6.5	1.9	6	2	5.6	1.9	5.5	1.8	65
70	7.7	6	7.6	5.8	7.3	5.6	6	5.6	6.2		5.7	1.4	5.4	1.3	5.3	1.3	70
75	7.3	5.7	7.3	5.5	7.2	5.4	6	5.3	5.9		5.5		5.2		5.2		75
80	6.7	5.5	6.9	5.3	6.9	5.2			5.7		5.2		5		5		80
85	6	4.5	6.4	4.6	6.6	4.6			5.4		5		4.9				85
90	5.3	3.6	5.7	3.8	6	3.8			5.2		4.9		4.7				90
95	4.7	2.8	5.1	3	5.3	3.1			4.7		4.7		4.6				95
100	4.1	2.2	4.5	2.4	4.7	2.5			4.1		4.5		4.5				100
105	3.6	1.6	3.9	1.9	4.1	2			3.6		4		4.2				105
110	3.1		3.4	1.4					3.1		3.4		3.6				110
115	2.7		2.9						2.7		3						115
120	2.3		2.5						2.3		2.5						120
125	2		2.1						2		2.2						125
130	1.7								1.7		1.8						130
135	1.4								1.4		1.5						135

** telescopable loads - capacités de levage en télescopage

t_185_06111_00_001 / 06211_00_001 / 06311_00_001 / 06411_00_001

Lifting capacities on the folding jib Forces de levage à la fléchette pliante



ft	37 ft				90 ft								107 ft								ft
	52 ft				52 ft								52 ft								
	0°	20°	40°	60°	0°	**	20°	**	40°	**	60°	**	0°	**	20°	**	40°	**	60°	**	
10	5.9																				10
11	6																				11
12	6.1																				12
13	6.1																				13
14	6.2																				14
15	6.2				6.5	6.5															15
16	6.1				6.5	6.5															16
17	6.1				6.5	6.5															17
18	6				6.5	6.5															18
19	6				6.5	6.5															19
20	5.9				6.4	6.4							5.7	5.7							20
22	5.8				6.4	6.4							5.7	5.7							22
24	5.7	5.1			6.3	6.3							5.7	5.7							24
26	5.5	4.9			6.3	6.3							5.7	5.7							26
28	5.4	4.8			6.2	6.2							5.6	5.6							28
30	5.3	4.7			6.1	6.1							5.6	5.6							30
32	5.1	4.6			6.1	6.1							5.5	5.5							32
34	5	4.5			6	6	5.1	5.1					5.5	5.5							34
36	4.9	4.4			6	6	5	5					5.5	5.5							36
38	4.8	4.3	3.8		5.9	5.9	4.9	4.9					5.4	5.4							38
40	4.7	4.2	3.8		5.8	5.8	4.8	4.8					5.4	5.4	4.6	4.6					40
45	4.4	4	3.6		5.6	5.6	4.6	4.6					5.2	5.2	4.5	4.5					45
50	4.2	3.8	3.5	3.2	5.4	5.4	4.5	4.5	3.8	3.8			5.1	5.1	4.4	4.4					50
55	4	3.7	3.4	3.1	5.2	5.2	4.3	4.3	3.7	3.7			5	5	4.2	4.2	3.6	3.6			55
60	3.8	3.5	3.3	3.1	5	5	4.2	4.2	3.6	3.6	3.2	3.2	4.8	4.8	4.1	4.1	3.6	3.6			60
65	3.6	3.4	3.3		4.8	4.8	4.1	4.1	3.5	3.5	3.2	3.2	4.7	4.7	4	4	3.5	3.5	3.2	3.2	65
70	3.5	3.4	3.3		4.7	4.7	3.9	3.9	3.5	3.5	3.1	3.1	4.6	4.6	3.9	3.9	3.5	3.5	3.1	3.1	70
75	3.4	3.4			4.5	4.5	3.8	3.8	3.4	3.4	3.1	3.1	4.4	4.4	3.8	3.8	3.4	3.4	3.1	3.1	75
80					4.3	4.3	3.8	3.8	3.4	3.4	3.1	3.1	4.3	4.3	3.7	3.7	3.4	3.4	3.1	3.1	80
85					4.2	4.2	3.7	3.7	3.3	3.3	3.1	3.1	4.2	4.2	3.7	3.7	3.3	3.3	3.1	3.1	85
90					4	4	3.6	3.6	3.3	3.3			4.1	4.1	3.6	3.6	3.3	3.3	3.1	3.1	90
95					3.9	3.9	3.5	3.5	3.3	3.3			4	4	3.5	3.5	3.3	3.3			95
100					3.8	3.8	3.5	3.5	3.3	3.3			3.9	3.9	3.5	3.5	3.3	3.3			100
105					3.7	3.7	3.4	3.4	3.3	3.3			3.7	3.7	3.4	3.4	3.3	3.3			105
110					3.6	3.6	3.4	3.4	3.3	3.3			3.5	3.5	3.4	3.4	3.3	3.3			110
115					3.4	3.4	3.4	3.4					3.2	3.2	3.3	3.3	3.3	3.3			115
120					3.1	3.1	3.3	3.3					2.8	2.8	3.1	3.1	3.3	3.3			120
125					2.7	2.7	2.9	2.9					2.4	2.4	2.8	2.8					125
130					2.4	2.4							2.1	2.1	2.4	2.4					130
135													1.8	1.8	2.1	2.1					135
140													1.6	1.5	1.7	1.7					140
145													1.3								145

** telescopable loads - capacités de levage en télescopage

t_185_06511_00_001 / 06611_00_001 / 06711_00_001 / 06811_00_001

Lifting capacities on the folding jib Forces de levage à la fléchette pliante



ft	117 ft								125 ft								ft
	52 ft				52 ft				52 ft				52 ft				
	0°	**	20°	**	40°	**	60°	**	0°	**	20°	**	40°	**			
22	5.3	5.3							4.9	4.9					22		
24	5.3	5.3							4.9	4.9					24		
26	5.2	5.2							4.9	4.9					26		
28	5.2	5.2							4.9	4.9					28		
30	5.2	5.2							4.9	4.8					30		
32	5.1	5.1							4.8	4.6					32		
34	5.1	5.1							4.8	4.5					34		
36	5.1	5.1							4.8	4.3					36		
38	5	5							4.8	4.1					38		
40	5	5							4.7	3.9					40		
45	4.9	4.9	4.3	4.3					4.6	3.5	4	3.4			45		
50	4.8	4.8	4.2	4.2					4.5	3.2	4	3			50		
55	4.7	4.7	4.1	4.1					4.5	2.7	4	2.3			55		
60	4.6	4.6	4	4	3.5	3.5			4.4	1.9	3.9	1.7	3.5	1.5	60		
65	4.5	4.5	3.9	3.9	3.5	3.5			4.3		3.8		3.4		65		
70	4.4	4.4	3.8	3.8	3.4	3.4	3.1	3.1	4.3		3.8		3.4		70		
75	4.3	4.3	3.8	3.8	3.4	3.4	3.1	3.1	4.2		3.7		3.3		75		
80	4.2	4.2	3.7	3.7	3.3	3.3	3.1	3.1	4.1		3.6		3.3		80		
85	4.1	4	3.6	3.6	3.3	3.3	3.1	3.1	4		3.6		3.3		85		
90	4	3.2	3.6	3.2	3.3	3	3.1	2.9	3.9		3.5		3.2		90		
95	3.9	2.5	3.5	2.7	3.3	2.6	3.1	2.6	3.8		3.4		3.2		95		
100	3.8	2	3.4	2.2	3.2	2.2			3.6		3.4		3.2		100		
105	3.7	1.5	3.4	1.9	3.2	1.9			3.5		3.3		3.1		105		
110	3.4		3.4	1.5	3.2	1.6			3.3		3.1		3		110		
115	3.1		3.3		3.2	1.3			2.9		3		3		115		
120	2.7		3.1		3.2				2.6		2.9		2.9		120		
125	2.3		2.7		3				2.2		2.6		2.8		125		
130	2		2.4		2.6				1.9		2.3		2.5		130		
135	1.7		2						1.6		2		2.2		135		
140	1.4		1.7						1.3		1.7				140		
145			1.4								1.4				145		

** telescopic loads - capacités de levage en télescopage

t_185_06511_00_001 / 06611_00_001 / 06711_00_001 / 06811_00_001

Lifting capacities on the folding jib Forces de levage à la fléchette pliante



ft	37 ft				90 ft								107 ft								ft	
	30 ft				30 ft								30 ft									
	0°	20°	40°	60°	0°	**	20°	**	40°	**	60°	**	0°	**	20°	**	40°	**	60°	**		
10	13.5																				10	
11	13.3																					11
12	13.2																					12
13	13.1	11.6			14.2	14.2																13
14	12.9	11.5			14.1	14.1																14
15	12.8	11.3			14.1	14.1																15
16	12.6	11.2			14	14																16
17	12.5	11			14	14							11.7	11.7								17
18	12.3	10.9			13.9	13.9							11.7	11.7								18
19	12.2	10.7			13.9	13.9							11.7	11.7								19
20	12	10.6			13.8	13.8							11.7	11.7								20
22	11.7	10.3	8.7		13.7	13.7							11.6	11.6								22
24	11.4	10.1	8.5		13.5	13.5	11.5	11.5					11.5	11.5								24
26	11.1	9.7	8.4	6.3	13.4	13.4	11.4	11.4					11.5	11.5								26
28	10.8	9.3	8.2	6.2	13.2	13.2	11.2	11.2					11.3	11.3	9.2	9.2						28
30	10.5	8.9	8.1	6.1	13.1	13.1	11	11					11.2	11.2	9.1	9.1						30
32	10.2	8.7	8	6.1	12.9	12.9	10.9	10.9	8.7	8.7			11.1	11.1	9.1	9.1						32
34	10	8.5	7.9	6	12.8	12.8	10.7	10.7	8.6	8.6			11	11	9.1	9.1						34
36	9.7	8.4	7.8	6	12.6	12.6	10.5	10.5	8.5	8.5			10.9	10.9	9	9						36
38	9.4	8.2	7.8	6	12.4	12.4	10.4	10.4	8.4	8.4	6.2	6.2	10.8	10.8	9	9	8.2	8.2				38
40	9	8.1	7.7	6	12.3	12.3	10.2	10.2	8.3	8.3	6.2	6.2	10.6	10.6	8.9	8.9	8.1	8.1				40
45	8.3	7.9	7.7		11.8	11.8	9.9	9.9	8.2	8.2	6.1	6.1	10	10	8.8	8.8	8	8	6.1	6.1		45
50	7.6	7.8			11.4	11.4	9.3	9.3	8	8	6	6	9.8	9.8	8.7	8.7	7.9	7.9	6	6		50
55	7	7.2			10.9	10.9	8.8	8.8	7.9	7.9	6	6	9.6	9.6	8.6	8.6	7.8	7.8	6	6		55
60					9.8	9.8	8.6	8.6	7.8	7.8	6	6	9.1	9.1	8.4	8.4	7.7	7.7	6	6		60
65					8.5	8.5	8.4	8.4	7.8	7.8			8	8	8.2	8.2	7.6	7.6	6	6		65
70					7.5	7.5	8	8	7.7	7.7			7	7	7.6	7.6	7.6	7.6	6	6		70
75					6.5	6.5	7	7	7.3	7.3			6.1	6.1	6.7	6.7	7.2	7.2				75
80					5.7	5.7	6.1	6.1	6.4	6.4			5.4	5.4	5.9	5.9	6.3	6.3				80
85					4.9	4.9	5.3	5.3	5.5	5.5			4.7	4.7	5.2	5.2	5.5	5.5				85
90					4.3	4.3	4.6	4.6					4.1	4.1	4.5	4.5	4.8	4.8				90
95					3.7	3.7	3.9	3.9					3.5	3.5	3.9	3.9	4.1	4.1				95
100					3.2	3.2	3.4	3.4					3	3	3.3	3.3	3.5	3.5				100
105					2.7	2.7							2.5	2.5	2.8	2.8						105
110													2.1	2.1	2.4	2.4						110
115													1.8	1.8	1.9	1.9						115
120													1.5	1.5								120

** telescopic loads - capacités de levage en télescopage

t_185_01116_00_001 / 01216_00_001 / 01316_00_001 / 01416_00_001

Lifting capacities on the folding jib Forces de levage à la fléchette pliante



ft	117 ft								125 ft								ft
	30 ft				30 ft				30 ft				30 ft				
	0°	**	20°	**	40°	**	60°	**	0°	**	20°	**	40°	**	60°	**	
20	10.4	10.4															20
22	10.3	10.3							8.6	6.5							22
24	10	10							8.6	6.2							24
26	9.6	9.6							8.6	5.9							26
28	9.5	9.5							8.5	5.7							28
30	9.4	9.3							8.5	5.5							30
32	9.3	9.1	8.1	8.1					8.4	5.3							32
34	9.2	8.9	8	8					8.4	5.1	7.4	4.8					34
36	9.1	8.7	8	8					8.3	4.9	7.4	4.6					36
38	9	8.5	7.9	7.9					8.2	4.7	7.4	4.5					38
40	8.9	8.3	7.9	7.8	7.4	7.4			8.1	4.5	7.3	4.3					40
45	8.8	7.8	7.8	7.4	7.3	7.2	6.1	6.1	7.9	4.1	7.1	3.9	6.7	3.8			45
50	8.6	7.4	7.8	7	7.3	6.8	6	6	7.6	3.7	6.8	3.6	6.4	3.5	6.1	3.3	50
55	8.5	7	7.7	6.7	7.3	6.5	6	6	7.2	3.4	6.5	3.2	6.1	2.9	5.9	2.7	55
60	8.4	6.6	7.7	6.4	7.3	6.2	6	6	6.8	2.8	6.2	2.6	5.8	2.4	5.7	2.3	60
65	7.6	6.3	7.6	6.1	7.3	5.9	6	5.8	6.5	1.9	6	2	5.6	1.9	5.5	1.8	65
70	6.7	6	7.4	5.8	7.3	5.6	6	5.6	6.2		5.7	1.4	5.4	1.3	5.3	1.3	70
75	5.8	5.7	6.4	5.5	6.9	5.4	6	5.3	5.7		5.5		5.2		5.2		75
80	5.1	5.1	5.6	5.3	6.1	5.2			5		5.2		5		5		80
85	4.4	4.4	4.9	4.6	5.3	4.6			4.4		4.9		4.9				85
90	3.9	3.6	4.3	3.8	4.7	3.8			3.8		4.3		4.6				90
95	3.4	2.8	3.8	3	4	3.1			3.3		3.7		4.1				95
100	2.9	2.2	3.3	2.4	3.5	2.5			2.9		3.2		3.5				100
105	2.5	1.6	2.8	1.9	3	2			2.4		2.8		3				105
110	2		2.3	1.4					2.1		2.4		2.5				110
115	1.7		1.9						1.7		1.9						115
120	1.4		1.6						1.3		1.6						120
125											1.2						125

** telescopic loads · capacités de levage en télescopage

t_185_01116_00_001 / 01216_00_001 / 01316_00_001 / 01416_00_001

Lifting capacities on the folding jib Forces de levage à la fléchette pliante



ft	37 ft				90 ft								107 ft								ft	
	52 ft				52 ft								52 ft									
	0°	20°	40°	60°	0°	**	20°	**	40°	**	60°	**	0°	**	20°	**	40°	**	60°	**		
10	5.9																					10
11	6																					11
12	6.1																					12
13	6.1																					13
14	6.2																					14
15	6.2				6.5	6.5																15
16	6.1				6.5	6.5																16
17	6.1				6.5	6.5																17
18	6				6.5	6.5																18
19	6				6.5	6.5							5.7	5.7								19
20	5.9				6.4	6.4							5.7	5.7								20
22	5.8				6.4	6.4							5.7	5.7								22
24	5.7	5.1			6.3	6.3							5.7	5.7								24
26	5.5	4.9			6.3	6.3							5.7	5.7								26
28	5.4	4.8			6.2	6.2							5.6	5.6								28
30	5.3	4.7			6.1	6.1							5.6	5.6								30
32	5.1	4.6			6.1	6.1							5.5	5.5								32
34	5	4.5			6	6	5.1	5.1					5.5	5.5								34
36	4.9	4.4			6	6	5	5					5.5	5.5								36
38	4.8	4.3	3.8		5.9	5.9	4.9	4.9					5.4	5.4								38
40	4.7	4.2	3.8		5.8	5.8	4.8	4.8					5.4	5.4	4.6	4.6						40
45	4.4	4	3.6		5.6	5.6	4.6	4.6					5.2	5.2	4.5	4.5						45
50	4.2	3.8	3.5	3.2	5.4	5.4	4.5	4.5	3.8	3.8			5.1	5.1	4.4	4.4						50
55	4	3.7	3.4	3.1	5.2	5.2	4.3	4.3	3.7	3.7			5	5	4.2	4.2	3.6	3.6				55
60	3.8	3.5	3.3	3.1	5	5	4.2	4.2	3.6	3.6	3.2	3.2	4.8	4.8	4.1	4.1	3.6	3.6				60
65	3.6	3.4	3.3		4.8	4.8	4.1	4.1	3.5	3.5	3.2	3.2	4.7	4.7	4	4	3.5	3.5	3.2	3.2		65
70	3.5	3.4	3.3		4.7	4.7	3.9	3.9	3.5	3.5	3.1	3.1	4.6	4.6	3.9	3.9	3.5	3.5	3.1	3.1		70
75	3.4	3.4			4.5	4.5	3.8	3.8	3.4	3.4	3.1	3.1	4.4	4.4	3.8	3.8	3.4	3.4	3.1	3.1		75
80					4.3	4.3	3.8	3.8	3.4	3.4	3.1	3.1	4.3	4.3	3.7	3.7	3.4	3.4	3.1	3.1		80
85					4.2	4.2	3.7	3.7	3.3	3.3	3.1	3.1	4.2	4.2	3.7	3.7	3.3	3.3	3.1	3.1		85
90					4	4	3.6	3.6	3.3	3.3			4.1	4.1	3.6	3.6	3.3	3.3	3.1	3.1		90
95					3.9	3.9	3.5	3.5	3.3	3.3			3.8	3.8	3.5	3.5	3.3	3.3				95
100					3.7	3.7	3.5	3.5	3.3	3.3			3.4	3.4	3.5	3.5	3.3	3.3				100
105					3.2	3.2	3.4	3.4	3.3	3.3			2.9	2.9	3.4	3.4	3.3	3.3				105
110					2.8	2.8	3.2	3.2	3.2	3.2			2.5	2.5	3	3	3.3	3.3				110
115					2.4	2.4	2.7	2.7					2.2	2.2	2.6	2.6	2.9	2.9				115
120					2.1	2.1	2.3	2.3					1.8	1.8	2.2	2.2	2.5	2.5				120
125					1.8	1.8	2	2					1.5	1.5	1.9	1.9						125
130					1.5	1.5									1.5	1.5						130
135															1.2	1.2						135

** telescopic loads - capacités de levage en télescopage

t_185_01516_00_001 / 01616_00_001 / 01716_00_001 / 01816_00_001

Lifting capacities on the folding jib Forces de levage à la fléchette pliante

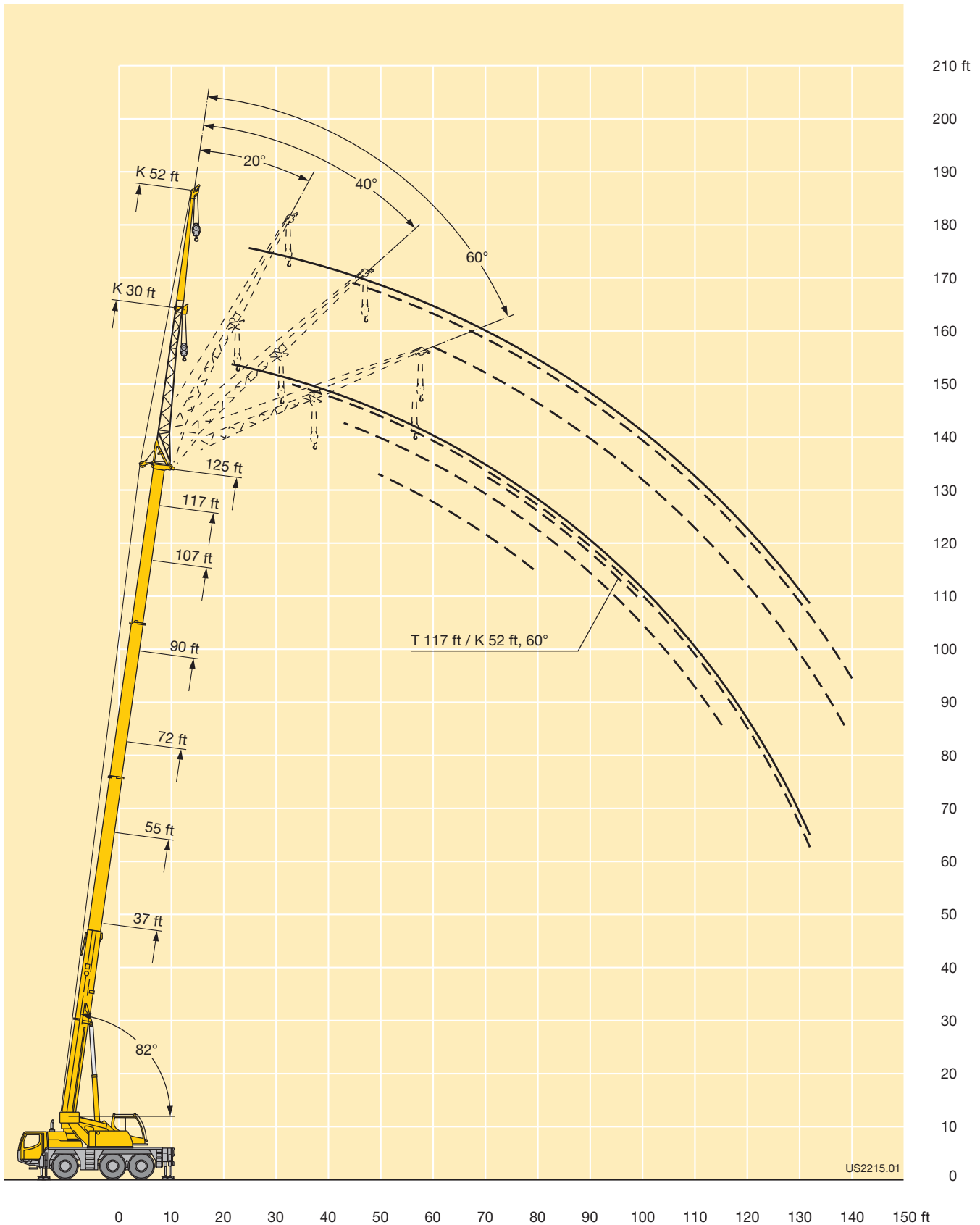


ft	117 ft								125 ft								ft
	52 ft				52 ft				52 ft				52 ft				
	0°	**	20°	**	40°	**	60°	**	0°	**	20°	**	40°	**			
22	5.3	5.3							4.9	4.9					22		
24	5.3	5.3							4.9	4.9					24		
26	5.2	5.2							4.9	4.9					26		
28	5.2	5.2							4.9	4.9					28		
30	5.2	5.2							4.9	4.8					30		
32	5.1	5.1							4.8	4.6					32		
34	5.1	5.1							4.8	4.5					34		
36	5.1	5.1							4.8	4.3					36		
38	5	5							4.8	4.1					38		
40	5	5							4.7	3.9					40		
45	4.9	4.9	4.3	4.3					4.6	3.5	4	3.4			45		
50	4.8	4.8	4.2	4.2					4.5	3.2	4	3			50		
55	4.7	4.7	4.1	4.1					4.5	2.7	4	2.3			55		
60	4.6	4.6	4	4	3.5	3.5			4.4	1.9	3.9	1.7	3.5	1.5	60		
65	4.5	4.5	3.9	3.9	3.5	3.5			4.3		3.8		3.4		65		
70	4.4	4.4	3.8	3.8	3.4	3.4	3.1	3.1	4.3		3.8		3.4		70		
75	4.3	4.3	3.8	3.8	3.4	3.4	3.1	3.1	4.2		3.7		3.3		75		
80	4.2	4.2	3.7	3.7	3.3	3.3	3.1	3.1	4.1		3.6		3.3		80		
85	4.1	4	3.6	3.6	3.3	3.3	3.1	3.1	4		3.6		3.3		85		
90	4	3.2	3.6	3.2	3.3	3	3.1	2.9	3.8		3.5		3.2		90		
95	3.5	2.5	3.5	2.7	3.3	2.6	3.1	2.6	3.4		3.4		3.2		95		
100	3.1	2	3.4	2.2	3.2	2.2			2.9		3.4		3.2		100		
105	2.7	1.5	3.3	1.9	3.2	1.9			2.5		3.1		3.1		105		
110	2.3		2.9	1.5	3.2	1.6			2.2		2.7		3		110		
115	2		2.5		2.9	1.3			1.8		2.3		2.8		115		
120	1.6		2.1		2.4				1.5		2		2.4		120		
125	1.4		1.8		2.1				1.2		1.7		2		125		
130			1.5		1.7						1.4		1.6		130		
135													1.3		135		

** telescopic loads · capacités de levage en télescopage

t_185_01516_00_001 / 01616_00_001 / 01716_00_001 / 01816_00_001

Lifting heights Hauteurs de levage



Lifting capacities on the erection jib Forces de levage à la flèche de montage



ft	37 ft				55 ft								72 ft								90 ft								ft	
	5 ft				5 ft								5 ft								5 ft									
	0°	20°	40°	60°	0°	**	20°	**	40°	**	60°	**	0°	**	20°	**	40°	**	60°	**	0°	**	20°	**	40°	**	60°	**		
24	44.8	45.1	43.4	44.1					45.6	42.9	46	42.2					43.7	39.1	42.7	37.3					29.3	29.3	28.7	28.7	24	
26	40.7	41	40.7	41.5				41.1	41.1	41.4	41.4	41.8	41.2					40.1	39	40.5	37.2					28.1	28.1	27.4	27.4	26
28	36.3	36.5	36.8	36.9				36.7	36.7	37.1	37.1	37.5	37.5					36.6	36.5	37.1	36.7					27	27	26.3	26.3	28
30	31.9	33.2	33.3	33.4				33.3	33.3	33.6	33.6	33.8	33.8					33.5	33.5	33.9	33.9					25.9	25.9	25.2	25.2	30
32			23.7					30.2	30.2	30.7	30.7	30.9	30.9					30.4	30.4	31	31					24.8	24.8	24.3	24.3	32
34								27.4	27.4	27.8	27.8	28.2	28.2					27.6	27.6	28	28					23.6	23.6	23.3	23.3	34
36								25.1	25.1	25.4	25.4	25.6	25.6			25.1	25.1	25.4	25.4	25.7	25.7					22.7	22.7	22.5	22.5	36
38					23	23	23.3	23.3	23.5	23.5	23.6	23.6			23.2	23.2	23.5	23.5	23.7	23.7					21.9	21.9	21.7	21.7	38	
40					21.3	21.3	21.6	21.6	21.7	21.7	21.9	21.9			21.5	21.5	21.7	21.7	22	22					21	21	21	21	40	
45					17.3	17.3	17.4	17.4	17.5	17.5	17.6	17.6			17.6	17.6	17.6	17.6	17.7	17.7			17.4	17.4	17.6	17.6	17.7	17.7	45	
50															14.8	14.8	15	15	15.1	15.1			14.8	14.8	15	15	15.1	15.1	50	
55														12.6	12.6	12.7	12.7	12.9	12.9	13	13			12.8	12.8	12.9	12.9	13.1	13.1	55
60														10.8	10.8	11	11	11	11	11.1	11.1			11.1	11.1	11.2	11.2	11.3	11.3	60
65														9.2	9.2	9.3	9.3	9.3	9.3	9.3	9.3			9.4	9.4	9.6	9.6	9.4	9.4	65
70																						8	8	8.1	8.1	8.2	8.2	8.3	8.3	70
75																						7.1	7.1	7.2	7.2	7.3	7.3	7.3	7.3	75
80																						6.2	6.2	6.3	6.3	6.3	6.3	6.4	6.4	80
85																													85	

** telescopic loads · capacités de levage en télescopage

t_185_09111_00_001 / 09211_00_001 / 09311_00_001 / 09411_00_001



ft	107 ft								117 ft								125 ft								ft				
	5 ft								5 ft								5 ft												
	0°	**	20°	**	40°	**	60°	**	0°	**	20°	**	40°	**	60°	**	20°	**	40°	**	60°	**							
24					22	20.1	21.9	19.4					17.8	12.7							14.7	6.8	24						
26					21.4	19.6	21.2	18.3					17.9	12.6	17.6	12.4					14.4	6.5	26						
28					20.7	18.6	20.4	17.7					17.6	12.3	17.3	12.1					14.1	6.3	28						
30					20	17.8	19.7	17.4					17.2	12	16.9	11.8					13.8	6.1	30						
32					19.2	17.4	19.1	17.2					16.8	11.7	16.5	11.5					13.5	5.9	32						
34					18.5	17.1	18.4	16.9					16.3	11.4	16	11.2					13.3	5.7	34						
36					17.8	16.9	17.7	16.7					15.9	11.1	15.6	11					12.9	5.5	36						
38					17.1	16.6	17	16.4					15.4	10.9	15.1	10.7					12.6	5.3	38						
40					16.4	16.2	16.4	16.1					14.9	10.6	14.6	10.4					12.3	5.1	40						
45					14.8	14.8	14.8	14.8					13.9	10.1	13.7	8.9					11.6	4.7	45						
50					13.7	13.7	13.7	13.7					12.9	8.8	12.7	8.2					11	4.4	50						
55					12.7	12.7	12.7	12.7					12.1	8	11.9	7.9					10.4	3.6	55						
60					11.1	11.1	11.3	11.4	11.4				10.9	7.6	11.1	7.6					9.8	2.7	60						
65					9.3	9.3	9.7	9.4	9.4			9.3	7.4	9.5	7.3	9.4	7.3	9.2	1.9	9.3	1.9	9.3	1.9	9.3	1.9	9.3	1.9	65	
70					8.1	8.1	8.2	8.2	8.3	8.3			8.1	7.1	8.2	7.1	8.3	6.9	8.1	1.9	8.2		8.3	1.2	8.3	1.2	8.3	1.2	70
75					7.2	7.2	7.3	7.3	7.4	7.4			7.2	6	7.3	5.9	7.4	5.9	7.2		7.3		7.3		7.3		7.3		75
80					6.3	6.3	6.4	6.4	6.5	6.5			6.4	4.7	6.4	4.7	6.5	4.7	6.4		6.5		6.5		6.5		6.5		80
85	5.4	5.4	5.5	5.5	5.6	5.6	5.6	5.6	5.6			5.6	3.7	5.6	3.7	5.7	3.8	5.6		5.6		5.6		5.6		5.6		85	
90	4.7	4.7	4.8	4.8	4.8	4.8	4.9	4.9	4.9	4.7	2.8	4.8	2.9	4.9	2.9	5	3	4.8		4.9		4.9		4.9		5		90	
95	4.1	4.1	4.2	4.2	4.2	4.2	4.2	4.2	4.2	4.1	2.1	4.2	2.2	4.2	2.2	4.3	2.3	4.2		4.2		4.2		4.2		4.3		95	
100	3.6	3.2	3.6	3.6	3.7	3.7	3.6	3.6	3.6	3.6	1.5	3.6	1.6	3.7	1.6	3.7	1.6	3.6		3.6		3.6		3.6		3.7		100	
105										3.1		3.1		3.2		3.2		3.1		3.1		3.2		3.1		3.2		105	
110										2.7		2.7		2.7		2.7		2.7		2.7		2.7		2.7		2.7		110	
115																					2.3		2.3		2.3		2.3		115

** telescopic loads · capacités de levage en télescopage

t_185_09111_00_001 / 09211_00_001 / 09311_00_001 / 09411_00_001

Lifting capacities on the erection jib Forces de levage à la flèche de montage

ft	37 ft				55 ft				72 ft				90 ft				ft						
	5 ft				5 ft				5 ft				5 ft										
	0°	20°	40°	60°	0°	**	20°	**	40°	**	60°	**	0°	**	20°	**		40°	**	60°	**		
24	41.6	42	42.2	42.6				42.2	42.2	42.8	41.6							29.3	29.3	28.7	28.7	24	
26	36.6	36.9	37.2	37.6				37.1	37.1	37.5	37.5	38.1	38.1					28.1	28.1	27.4	27.4	26	
28	32.9	33.2	33.4	33.6				33.3	33.3	33.7	33.7	34	34					27	27	26.3	26.3	28	
30	29.7	29.7	29.9	30.1				29.7	29.7	30.4	30.4	30.6	30.6					25.9	25.9	25.2	25.2	30	
32			23.7					26.9	26.9	27	27	27.3	27.3					24.4	24.4	24.3	24.3	32	
34								24.4	24.4	24.7	24.7	24.9	24.9					22.5	22.5	22.7	22.7	34	
36								22.1	22.1	22.4	22.4	22.5	22.5		21.6	21.6	21.9	21.9	22.3	22.3	21	21	36
38								19.8	19.8	20.1	20.1	20.3	20.3	20.5	20.5		20	20	20.2	20.2	20.6	20.6	38
40								18.1	18.1	18.4	18.4	18.5	18.5	18.7	18.7		18.4	18.4	18.6	18.6	18.9	18.9	40
45								14.7	14.7	14.9	14.9	15	15	15.1	15.1		15.1	15.1	15.3	15.3	15.4	15.4	45
50																							50
55																							55
60																							60
65																							65
70																							70
75																							75
80																							80

** telescopable loads - capacités de levage en télescopage

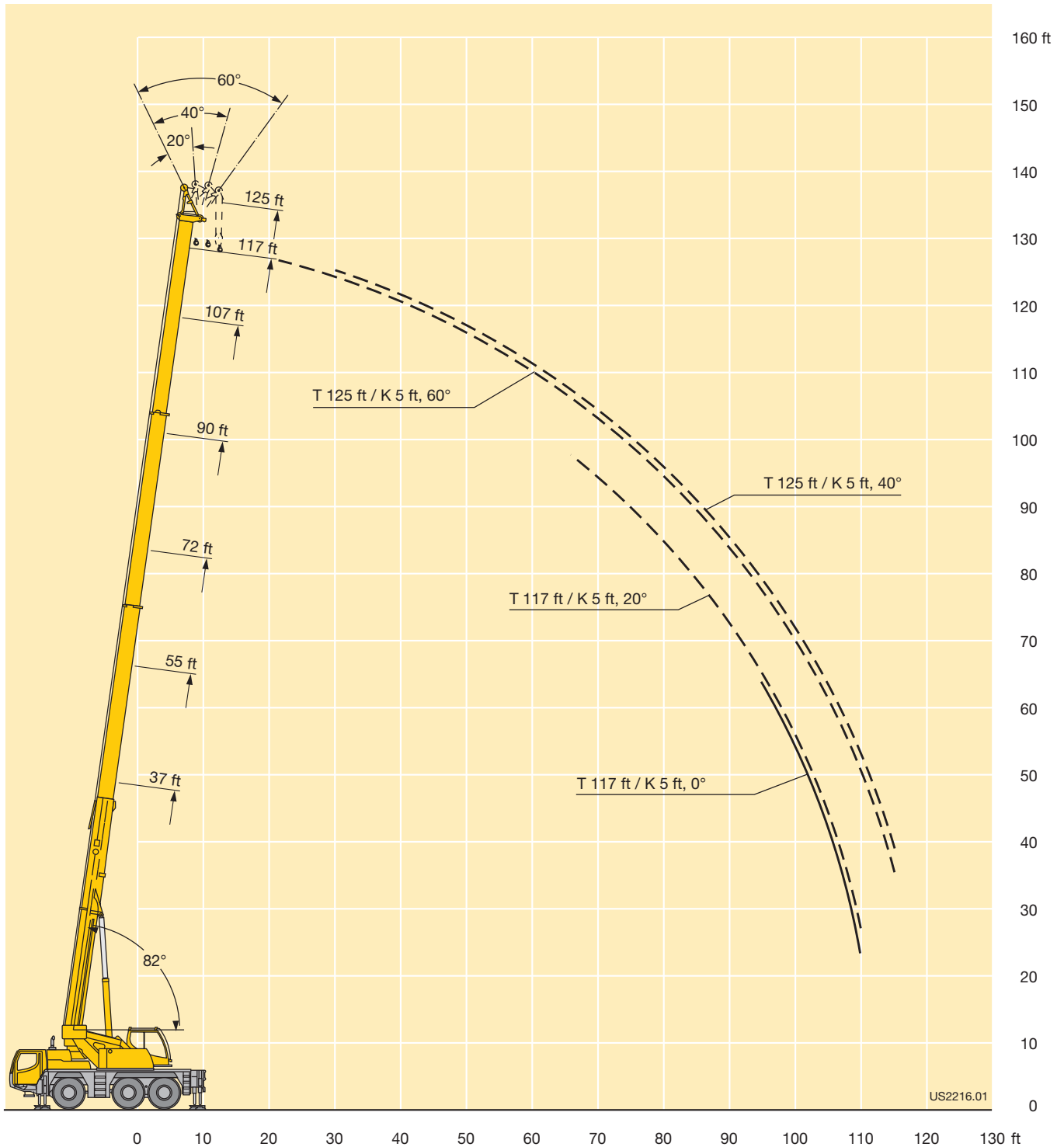
t_185_04116_00_001 / 04216_00_001 / 04316_00_001 / 04416_00_001

ft	107 ft				117 ft				125 ft				ft											
	5 ft				5 ft				5 ft															
	0°	**	20°	**	40°	**	60°	**	0°	**	20°	**		40°	**	60°	**							
24					22	20.1	21.9	19.4															24	
26					21.4	19.6	21.2	18.3																26
28					20.7	18.6	20.4	17.7																28
30					20	17.8	19.7	17.4																30
32					19.2	17.4	19.1	17.2																32
34					18.5	17.1	18.4	16.9																34
36					17.8	16.9	17.7	16.7																36
38					17.1	16.6	17	16.4																38
40					16.4	16.2	16.4	16.1																40
45					14.3	14.3	14.5	14.5																45
50					12.2	12.2	12.4	12.4																50
55					10.3	10.3	10.4	10.6	10.6															55
60					8.8	8.8	9	9	9.1	9.1														60
65					7.7	7.7	7.8	7.8	7.9	7.9														65
70					6.6	6.6	6.7	6.7	6.8	6.8														70
75					5.6	5.6	5.7	5.7	5.8	5.8														75
80					4.8	4.8	4.9	4.9	4.9	4.9														80
85					4	4	4.1	4.1	4.1	4.2	4.2													85
90					3.4	3.4	3.4	3.4	3.5	3.5	3.5	3.4	2.8	3.5	2.9	3.5	2.9	3.6	3	3.5				90
95					2.8	2.8	2.9	2.9	2.9	2.9	3	2.8	2.1	2.9	2.2	2.9	2.2	3	2.3	2.9				95
100					2.4	2.4	2.4	2.4	2.5	2.5	2.5	2.4	1.5	2.4	1.6	2.5	1.6	2.5	1.6	2.4				100
105												1.9		2	2	2	2.1	2		2.1				105
110												1.6		1.6	1.6	1.6	1.6	1.6	1.6	1.6				110
115																								115

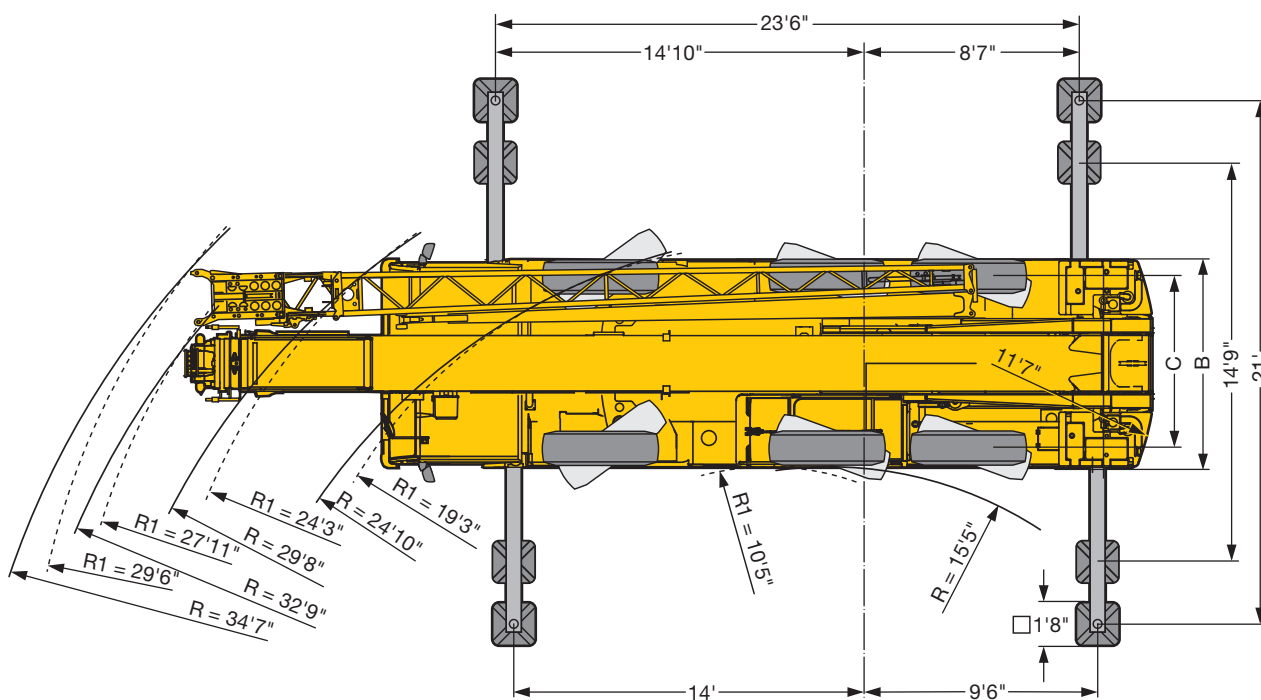
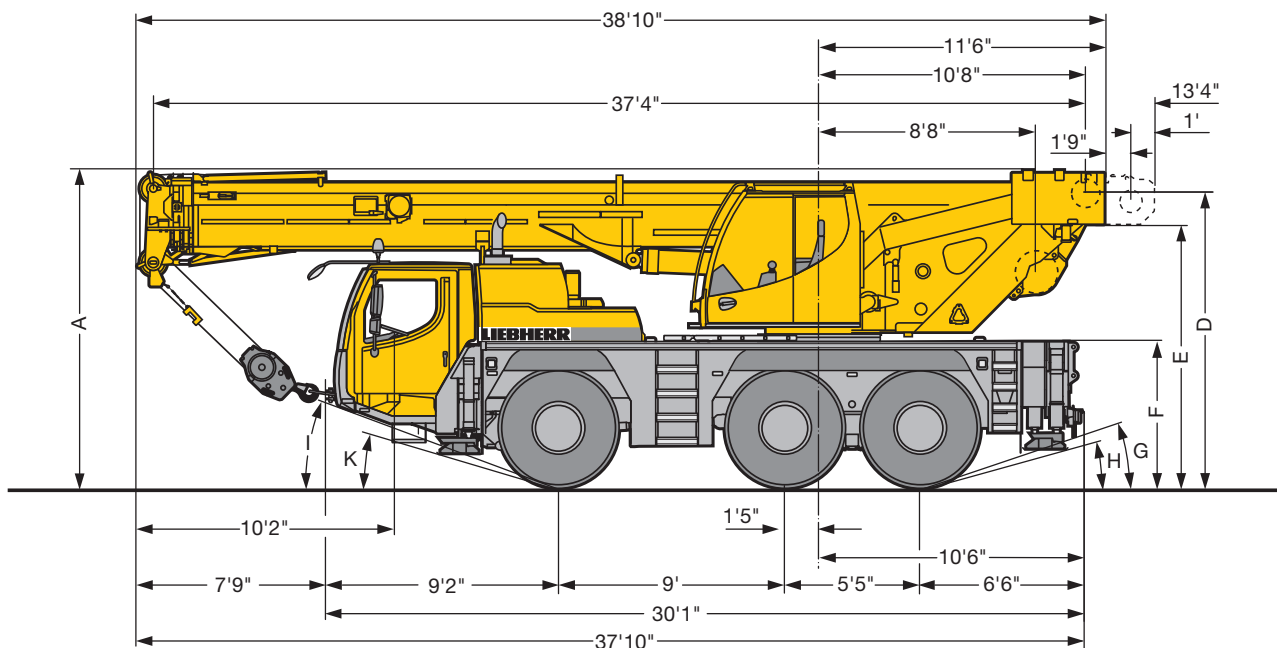
** telescopable loads - capacités de levage en télescopage

t_185_04116_00_001 / 04216_00_001 / 04316_00_001 / 04416_00_001

Lifting heights Hauteurs de levage



Dimensions Encombrement



US2172.02

R_i = All-wheel steering · Direction toutes roues

		Dimensions · Encombrement										
		A	A 0'4" *	B	C	D	E	F	G	H	I	K
16.00	R 25	12'7"	12'3"	8'4"	6'11"	11'8"	10'5"	5'9"	20°	15°	22°	17°
20.5	R 25	12'7"	12'3"	8'10"	7'1"	11'8"	10'5"	5'9"	20°	15°	22°	17°

* lowered · abaissé

Weights Poids



Axle Essieu lbs	1	2	3	Total weight (lbs) Poids total lbs
	26400	26400	26400	79200 ¹⁾

¹⁾ with 15400 lbs counterweight / avec contrepoids 15400 lbs








Load (kips) Forces de levage kips	No. of sheaves Poulies	No. of lines Brins	Weight (lbs) Poids lbs
110.2	5	10	882
66.5	3	7	572
29.5	1	3	396
9.9	-	1	165

Working speeds Vitesses



		1	2	3	4	5	6	7	8	9	10	11	12	R 1	R 2	
16.00 R 25	 mph	1.5 - 3.8	4.9	6.3	8.1	10.3	13.2	17.5	22.4	28.9	37.1	47.1	50	1.6 - 4	5.3	51.6 %
		0.5 - 1.2	1.6	2.1	2.6	-	-	-	-	-	-	-	-	0.5 - 1.3	1.7	61.7 %



Drive Mécanismes	infinitely variable en continu	Rope diameter / Rope length Diam. du câble / Longueur du câble	Max. single line pull Effort au brin maxi.
	0 - 394 ft/min single line ft/min au brin simple	1/2" / 591'	10100 lbs
	0 - 394 ft/min single line ft/min au brin simple	1/2" / 591'	10100 lbs
	0 - 1.9 rpm		
	approx. 47 seconds to reach 82° boom angle env. 47 s jusqu'à 82°		
	approx. 80 seconds for boom extension from 37 ft - 125 ft env. 80 s pour passer de 37 ft - 125 ft		

Equipment Equipment

Crane carrier

Frame	Liebherr designed and manufactured, box-type, torsion resistant design of high-tensile fine grained structural steel.
Outriggers	4-point support, all-hydraulic horizontal and vertical operation.
Engine	6-cylinder Diesel engine, make Liebherr, type D936L A6, watercooled, 270 kW (367 HP) at 2000 rpm, max. torque 1268 lbs-ft at 1000 – 1500 rpm. Exhaust emissions acc. to 97/68/EG stage 3 and EPA/CARB Tier 3. Electronic engine management. Fuel tank: 92 gallons.
Transmission	ZF 12-speed gear box with automatic control system AS-TRONIC.
Axles	All axles steered. Axles 2 and 3 with planetary gears and differential locks.
Suspension	All axles with hydropneumatic suspension and hydraulic locking facility.
Tyres	6 tyres. Tyre size: 16.00 R 25.
Steering	ZF-servocom power steering, dual circuit system, with hydraulic servo system and auxiliary pump circuit. At road travel, the 3rd axle is steered electrohydraulically, and fixed for straight travel from 18.6 mph onwards. Steering acc. to EG directive 70/311/EWG.
Brakes	Service brake: all-wheel servo-air brake, all axles are equipped with disc brakes, dual circuit. Hand brake: Spring-loaded, acting on all wheels of axles 1 and 3. Sustained-action brake: Exhaust retarder with additional Liebherr braking system. Anti-lock device in conjunction with anti-skid control. Brakes acc. to EC directive 71/320/EEC.
Driver's cab	Two-men driving cab, steel sheet design, cataphoretic dip-primed, mounted on rubber shock absorbers and on hydraulic dampers, safety glass windows, operating and control elements.
Electrical system	Control of the electrical and electronical components by modern data bus technique. 24 Volt DC, 2 batteries 170 Ah each, lighting according to traffic regulations.

Crane superstructure

Frame	Liebherr-made, torsion-resistant, welded construction of high-tensile structural steel, linked to carrier by a single-row ball bearing slewing ring, for continuous rotation.
Crane drive	Diesel-hydraulic with 1 axial variable displacement pump with automatic capacity control, 1 double gear pump, driven by the carrier Diesel engine, open regulated oil circuits with electrically controlled „load sensing“, operation of 4 movements simultaneously.
Crane control	Electrical control of drives by self-centering joysticks, armrest-integrated control elements, Liebherr system bus (LSB).
Hoist gear	Axial piston fixed displacement motor, hoist drum with integrated planetary gear and spring-loaded static brake, actuation by open regulated oil circuit.
Luffing gear	1 differential ram with pilot operated brake valve.
Slewing gear	Axial piston fixed displacement motor, planetary gear, spring-loaded static brake.
Crane cab	Fibre-composite material, large field of vision, safety glazing, control elements and instruments for crane operation and travelling.
Safety devices	LICCON safe load indicator, hoist limit switch, safety valves against pipe and hose rupture, test system for servicing.
Telescopic boom	Buckling resistant and torsion-proof design of high-tensile steel with oviform boom profile, 1 base section and 3 telescopic sections. All telescopic sections extendable hydraulically and independently from one another. Rapid-cycle telescoping system „Telematik“. Boom length: 37 ft – 125 ft.
Counterweight	15400 lbs
Electrical system	Control of the electrical and electronical components by modern CAN bus and Liebherr system bus (LSB).

Additional equipment

Folding jib	Single folding jib, 30 ft long, installation at 0°, 20°, 40° or 60°. Double folding jib, 30 ft – 52 ft long, installation at 0°, 20°, 40° or 60°.
Erection jib	Consisting of the adapter of the swing-away jib and an additional pulley set, 5 ft long, mountable at 0°, 20°, 40° and 60°.
Tyres	6 tyres. Tyre size: 20.5 R 25.
Drive 6 x 6	Axle 1 additionally driven.
Additional counterweight	4400 lbs for a total counterweight of 19800 lbs.

Other items of equipment available on request.

Equipment Équipement

Châssis porteur

Châssis	Fabrication Liebherr, construction en caisson indéformable, en acier à haute résistance à grains fins.
Stabilisateurs	Calage en 4 points, à telescopage horizontal et vérinage entièrement hydrauliques.
Moteur	Diesel, 6 cylindres, marque Liebherr, type D966L A6, refroidi par eau, puissance 270 kW (367 ch) à 2000 rpm, couple max. 1268 lbs-ft à 1000 – 1500 rpm. Emissions des gaz d'échappement conformes aux directives 97/68/EG partie 3 et EPA/CARB Tier 3. Gestion électronique. Réservoir à carburant: 92 gallons.
Boîte de vitesse	Boîte de vitesses ZF à 12 rapports, mécanisme automatisé à commande AS-TRONIC.
Essieux	Tous les essieux sont directeurs. Les essieux 2 et 3 avec planétaires et blockages de différentiels.
Suspension	Tous les essieux sont suspendus hydropneumatiquement et blocable hydrauliquement.
Pneumatiques	6 roues. Taille: 16.00 R 25.
Direction	Direction hydraulique ZF-servocom, à deux circuits, assistée hydrauliquement, avec pompe auxiliaire entraînée par essieu. Lors de déplacement routier, le 3ème essieu est dirigé électrohydrauliquement, et fixé en marche directe à partir de 18.6 mph. Direction conforme aux directives européennes 70/311/CE.
Freins	Freins de service: servofrein à air comprimé, tous les essieux sont munis de freins à disque, à 2 circuits. Frein à main: par cylindres à ressorts, agissant sur les roues des essieux 1 et 3. Frein à régime continu: Ralentisseur sur échappement avec système de freinage additionnel Liebherr. Dispositif anti-enrayeur avec contrôle anti-patinage. Freins selon directive CE 71/320/CEE.
Cabine	Cabine conducteur bi-place en tôle d'acier revêtue anti-corrosion par bain de cathorèse, suspendue sur silent blocs et amortissement hydraulique vitrage de sécurité, tableau de bord complet.
Installation électrique	Composants électriques et électroniques reliés entre eux par bus de données moderne. Courant continu 24 Volts, 2 batteries à 170 Ah chacune, éclairage conforme au code de la route.

Partie tournante

Châssis	Fabrication Liebherr, construction mécano-soudée en tôle d'acier à haute résistance à grains fins. La couronne d'orientation à 1 rangée de billes, permettant une rotation illimitée, sert d'élément de liaison vers le châssis de la grue.
----------------	---

Entraînement	Diesel hydraulique avec 1 pompe double à débit variable et régulation de puissance automatique, 1 pompe à engrenages double, entraînés par le moteur Diesel du porteur, circuits hydrauliques ouverts avec „load sensing“, réglé électriquement. 4 mouvements simultanés praticables.
Commande	Commande électrique des mécanismes par leviers de manoeuvre à centrage automatique, commandes de grue „grand confort“ intégrées aux accoudoirs du siège, Liebherr système bus.
Treuil	Moteur hydraulique à cylindrée constante, treuil à réducteur planétaire incorporé et frein d'arrêt à ressort, en circuit hydraulique ouvert ou fermé et réglé.
Relevage de flèche	1 vérin différentiel à soupape pilotage de freinage.
Orientation	Moteur à cylindrée constante à pistons axiaux, engrenage planétaire, frein d'arrêt commandé par ressort.
Cabine de grue	Matériaux composites, visibilité panoramique, avec vitrage de sécurité, dotée de tous les éléments de contrôle et de commande pour l'opération et la conduite de la grue.
Sécurités	Contrôleur de charge LICCON, fin de course crochet haut, clapets de sécurité en cas de ruptures de flexibles. Système de test pour faciliter l'entretien.
Flèche télescopique	Construction en acier de haute résistance à grains fins à profil oval à haute résistance au flambage, 1 élément de base et 3 éléments télescopiques. Chaque élément télescopable indépendamment de l'autre. Système de telescopage „Telematik“ séquentiel rapide. Longueur de flèche: 37 ft – 125 ft.
Contrepoids	15400 lbs
Circuit électrique	Commande des composants électriques et électroniques avec bus CAN et bus de système Liebherr (LSB).

Équipement supplémentaire

Fléchette pliante	Fléchette pliante simple, longueur 30 ft, montable à 0°, 20°, 40° ou 60°. Fléchette pliante double, longueur 30 ft – 52 ft, montable à 0°, 20°, 40° ou 60°.
Fléchette de montage	Se compose de l'adaptateur de la fléchette pliante et d'un jeu de poulies supplémentaire, présente une longueur de 5 ft, peut être montée sous 0°, 20°, 40° et 60°.
Pneumatiques	6 roues. Taille: 20.5 R 25.
Entraînement 6 x 6	Essieu 1 est entraîné additionnellement.
Contrepoids supplémentaire	4400 lbs pour un contrepoids total de 19800 lbs.

Autres équipements supplémentaires sur demande.

Remarks referring to load charts

1. The tabulated lifting capacities do not exceed 85% of the tipping load.
2. The crane's structural steelwork is in accordance with DIN 15018, part 3.
Design and construction of the crane comply with DIN 15018, part 2, and with F.E.M. regulations.
3. The 85% overturning limit values take into account wind force 5 = wind speed 20 mph.
4. Lifting capacities are given in kips.
5. The weight of the hook blocks and hooks must be deducted from the lifting capacities.
6. Working radii are measured from the slewing centreline.
7. The lifting capacities given for the telescopic boom only apply if the folding jib is taken off.
8. Lifting capacities are subject to modifications.
9. Lifting capacities above 92600 lbs only with additional pulley block.

Remarques relatives aux tableaux des charges

1. Les forces de levage indiquées ne dépassent pas 85% de la charge de basculement.
2. La norme DIN 15018, 3ème partie est appliquée pour les charpentes.
La construction de la grue est réalisée conformément à la norme DIN 15018, 2ème partie, et aux règles de la F. E. M.
3. A 85% de la charge de basculement, il a été tenu compte d'un vent de force 5 = vitesse de vent 20 mph.
4. Les forces de levage sont données en kips.
5. Les poids des moufles et crochets doit être soustrait des charges indiquées.
6. Les portées sont calculées à partir de l'axe de rotation.
7. Les forces indiquées pour la flèche télescopique s'entendent fléchette dépliée déposée.
8. Les forces de levage sont modifiables sans préavis.
9. Forces de levage plus de 92600 lbs seulement avec moufle additionnel.

Liebherr-Werk Ehingen GmbH

Postfach 1361, 89582 Ehingen, Germany

☎ +49 73 91 5 02-0, Fax +49 73 91 5 02-33 99

www.liebherr.com, E-mail: info.lwe@liebherr.com

