

GROVE®

RT540E

▶ **product
guide**

features

- 40 ton (35 mt) capacity
- 32 ft. - 102 ft. (9.8 m - 31.0 m) 4-section, full power boom
- 26 ft. - 45 ft. (7.9 m - 13.7 m) offsettable telescopic swing-away extension
- Dual-axis electric joystick controllers
- Full frame decking
- Rounded cab design
- 160 hp (119 kw) Cummins diesel engine (tier III)



contents

Features	2
Specifications	3
Dimensions	5
Working Range	6
Load Charts	7

Rough Terrain Hydraulic Crane



features

2



The RT540E incorporates a rectangular boom shape made from 100k.s.i. steel which eliminates weight and maximizes structural capacities.



Rounded steel cab design provides aesthetic appeal.



Max. tip height of 154 ft. (47.0 m) w/45 ft. (13.7 m) telescopic extension.



Automotive-style dash control panel designed to offer a less cluttered look while still offering full instrumentation.



Cummins QSB 6.7L diesel engine provides plenty of power at the jobsite and meets current emission standards.



specifications

Superstructure



Boom

32 ft. - 102 ft. (9.8 m - 31.0 m) four-section, synchronized full power boom.

Maximum tip height: 110 ft. (33.6 m).



*Optional Fixed Swingaway Extension

26 ft. (7.9 m) offsettable fixed swingaway extension. Offsets at 0° and 30°. Stows alongside base boom section.

Maximum tip height: 135 ft. (41.1 m).



*Optional Telescopic Swingaway Extension

26 ft. - 45 ft. (7.9 m - 13.7 m) offsettable telescopic lattice swingaway extension. Offsets at 0°, 15° and 30°. Stows alongside base boom section.

Maximum tip height: 154 ft. (47.0 m).



Boom Nose

Four nylatron sheaves mounted on heavy duty tapered roller bearings with removable pin-type rope guards. Quick reeve type boom nose.



Boom Elevation

One double-acting hydraulic cylinder with integral holding valve provides elevation from -3° to +78°.



Load Moment & Anti-Two Block System

Standard "Graphic Display" load moment and anti-two block system with audio-visual warning and control lever lockout. These systems provide electronic display of boom angle, length, radius, tip height, relative load moment, maximum permissible load, load indication and warning of impending two-block condition. The standard Work Area Definition System allows the operator to pre-select and define safe working areas. If the crane approaches the pre-set limits, audio-visual warnings aid the operator in avoiding job-site obstructions.



Cab

Full vision, all steel fabricated with acoustical lining and tinted safety glass throughout. Deluxe seat incorporates armrest-mounted electric dual-axis controllers.

Dash panel incorporates gauges for all engine functions.

Other standard features include: tilt steering wheel, hot water heater, cab circulating air fan, sliding side and rear windows, sliding skylight with electric wiper and sunscreen, electric windshield wash/wipe, fire extinguisher and seat belt.



Swing

Single speed, planetary swing drive with foot applied multi-disc wet brake. Spring applied, hydraulically released swing brake.

Single position mechanical house lock, operated from cab.

Maximum speed: 2.0 RPM.



Counterweight

9,490 lbs. (4 305 kg) pinned to superstructure.



Hydraulic System

Two main pumps ([1] piston and [1] gear) with a combined capacity of 83.6 GPM (316.5 LPM).

Maximum operating pressure: 4,000 psi (275.7 bar).

Three section pressure compensated valve bank. Return line type filter with full flow by-pass protection and service indicator. Replaceable cartridge with micron filtration rating of 5/12/16.

104.6 gallon (396 L) hyd. reservoir. System pressure test ports.

HOIST SPECIFICATIONS (HP15C-17G)

Main and Auxiliary Hoist

Planetary reduction with automatic spring applied multi-disc wet brake. Electronic hoist drum rotation indicators, and hoist drum cable followers.

Maximum Single Line Pull:

1st layer: 11,640 lbs. (5 280 kg)

3rd layer: 9,530 lbs. (4 323 kg)

5th layer: 8,060 lbs. (3 656 kg)

Maximum Permissible Line Pull:

11,640 lb. (5 280 kg.) with 6x37 class rope

11,640 lb. (5 280 kg.) with 35x7 class rope

Maximum Single Line Speed:

445 FPM (136 m/min)

Rope Construction:

6x36 EIPS IWRC, Special Flexible

35x7 Flex-X, Rotation Resistant

Rope Diameter:

5/8 in. (16 mm)

Rope Length:

Main Hoist 450 ft. (137.0 m)

Auxiliary Hoist 450 ft. (137.0 m)

Maximum Rope Stowage:

596 ft. (181 m)

**Denotes optional equipment*

3

RT540E

GROVE



specifications

RT540E

4

Carrier

Chassis

Box section frame fabricated from high-strength, low alloy steel. Front/rear towing and tie down lugs.

Outrigger System

Four hydraulic telescoping single-stage double box beam outriggers with inverted jacks and integral holding valves. Three position setting, 0%, 50% and fully extended. All steel fabricated quick release type outrigger floats, 14.25 in. (362 mm) square.

Maximum outrigger pad load: 58,000 lbs. (26 300 kg)

Outrigger Controls

Controls and crane level indicator located in cab.

Engine (Tier III)

Cummins QSB 6.7L diesel, six cylinders, 160 bhp (119 kW) (Gross) @ 2,500 RPM.

Maximum torque: 540 ft. lb. (732 Nm) @ 1,500 RPM.

Fuel Tank Capacity

58 gallons (219 L)

Transmission

Range-shift 6 speed (3 speeds x 2 range, both forward & reverse).

Front axle disconnect for 4 x 2 travel.

Electrical System

Two 12 V - maintenance free batteries. 12 V starting and lighting. Battery disconnect. CanBus Diagnostic system.

Drive

4 x 4

Steering

Fully independent power steering:
 Front: Full hydraulic steering wheel controlled.
 Rear: Full hydraulic switch controlled.
 Provides infinite variations 4 main steering modes: front only, rear only, crab and coordinated.
 Rear steer indicator.
 Outside turning radius: 19.1 ft. (5.8m)
 Inside turning radius: 13.1 ft. (4.0m)

Axles

Front: Drive/steer with differential and planetary reduction hubs rigid mounted to frame.
 Rear: Drive/steer with differential and planetary reduction hubs pivot mounted to frame.

Oscillation Lockouts

Automatic full hydraulic lockouts on rear axle permits 10 in. (25.4 cm) oscillation only with boom centered over the front.

Brakes

Full hydraulic split circuit disc-type brakes operating on all wheels. Spring-applied, hydraulically released parking brake mounted on front axle.

Tires

Std. 20.5 x 25 - 24 bias ply

Lights

Full lighting including turn indicators, head, tail, brake and hazard warning lights.

Maximum Speed

25 MPH (40 kph) @ 2500 r.p.m.

Gradeability (Theoretical)

119% (at engine stall)
 (Based on 62,532 lb. [28 365 kg] GVW) 20.5 x 25 tires, 102 ft. (31.0m) main boom, plus 45 ft. (13.7m) telescopic swingaway, 9,490 lb. (4 305 kg) counterweight, 40T (35mt) hookblock and 7.5 T (6.8mt) headache ball.

Miscellaneous Standard Equipment

Full width steel fenders, full length steel decking with anti-skid, dual rear view mirrors, hook-block tiedown, electronic back-up alarm, light package, front stowage well, tachometer/hourmeter, rear wheel position indicator, 36,000 Btu hot water cab heater, hoist mirrors, engine distress A/V warning system, front/rear tie down and tow lugs, coolant sight level indicator.

*Optional Equipment

- * AUXILIARY HOIST PACKAGE (includes Model HP15C-17G auxiliary hoist with electronic hoist drum rotation indicator, hoist drum cable follower, 450 ft. (137.0 m) of 5/8 in. (16 mm) 35 x 7 class wire rope and auxiliary single sheave boom nose.
- *AUXILIARY LIGHTING PACKAGE (includes cab mounted amber flashing light, hoist mounted worklights, and dual base boom mounted floodlights).
- *LMI light bar (in cab)
- *Air conditioning (28,500 BTU)
- *360° NYC style mechanical swing lock
- *Rear Pintle hook
- *Cab-controlled cross axle differential locks (front & rear)
- *PAT Data logger down-load kit
- *Rubber mat for stowage trough

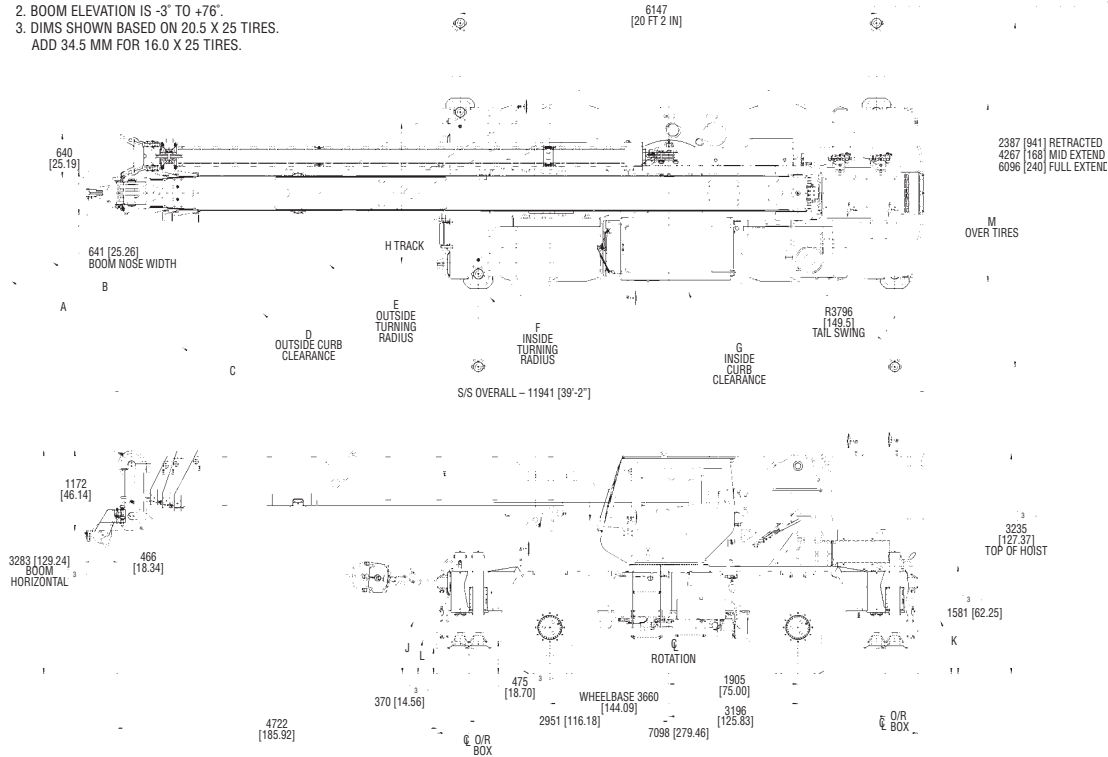
**Denotes optional equipment*



dimensions

	TIRE SIZE	A	B	C	D	E	F	G	H	J	K	L	M
2 WHEEL STEER	20.5 X 25	13563	13328	10899	10236	10007	8138	7021	2055	25.0'	22.5'	17.3'	2606
	16.0 X 25	13563	13328	10899	10185	9981	8138	7021	2093	26.0'	23.5'	18.3'	2536
4 WHEEL STEER	20.5 X 25	9797	9490	6732	6061	5832	4000	3498	2055	25.0'	22.5'	17.3'	2606
	16.0 X 25	9797	9490	6732	6010	5806	4000	3498	2093	26.0'	23.5'	18.3'	2536

- NOTES:
 1. ALL DIMENSIONS ARE FOR REFERENCE ONLY
 2. BOOM ELEVATION IS -3' TO +76"
 3. DIMS SHOWN BASED ON 20.5 X 25 TIRES.
 ADD 34.5 MM FOR 16.0 X 25 TIRES.



NOTE: [] Reference dimensions in inches

Weights

	GVW		Front		Rear	
	lb.	kg	lb.	kg	lb.	kg
RT540E Basic Machine Basic Machine including 102 ft. (31.0m) main boom, main hoist with 450 ft. (137.0m) of rope, full counterweight + IPO, 7.5 T (6.8mt) headache ball, and 40T (35mt) hookblock:	60,126	27 273	28,686	13 012	31,440	14 261
ADD: Auxiliary hoist + 450 ft. (137.0m) of 35x7 hoist cable and auxiliary boom nose ILO IPO C/W	60,625	27 500	28,855	13 089	31,770	14 411
ADD: Fixed 26 ft. (7.9m) offsettable boom extension + extension hangers	62,161	28 196	31,624	14 345	30,537	13 852
OR ADD: 26 ft. - 45 ft. (7.9 - 13.7m) telescopic boom extension + extension hangers	62,532	28 365	32,052	14 539	30,480	13 826

RT540E

GROVE

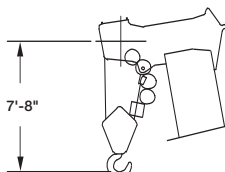
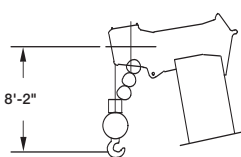
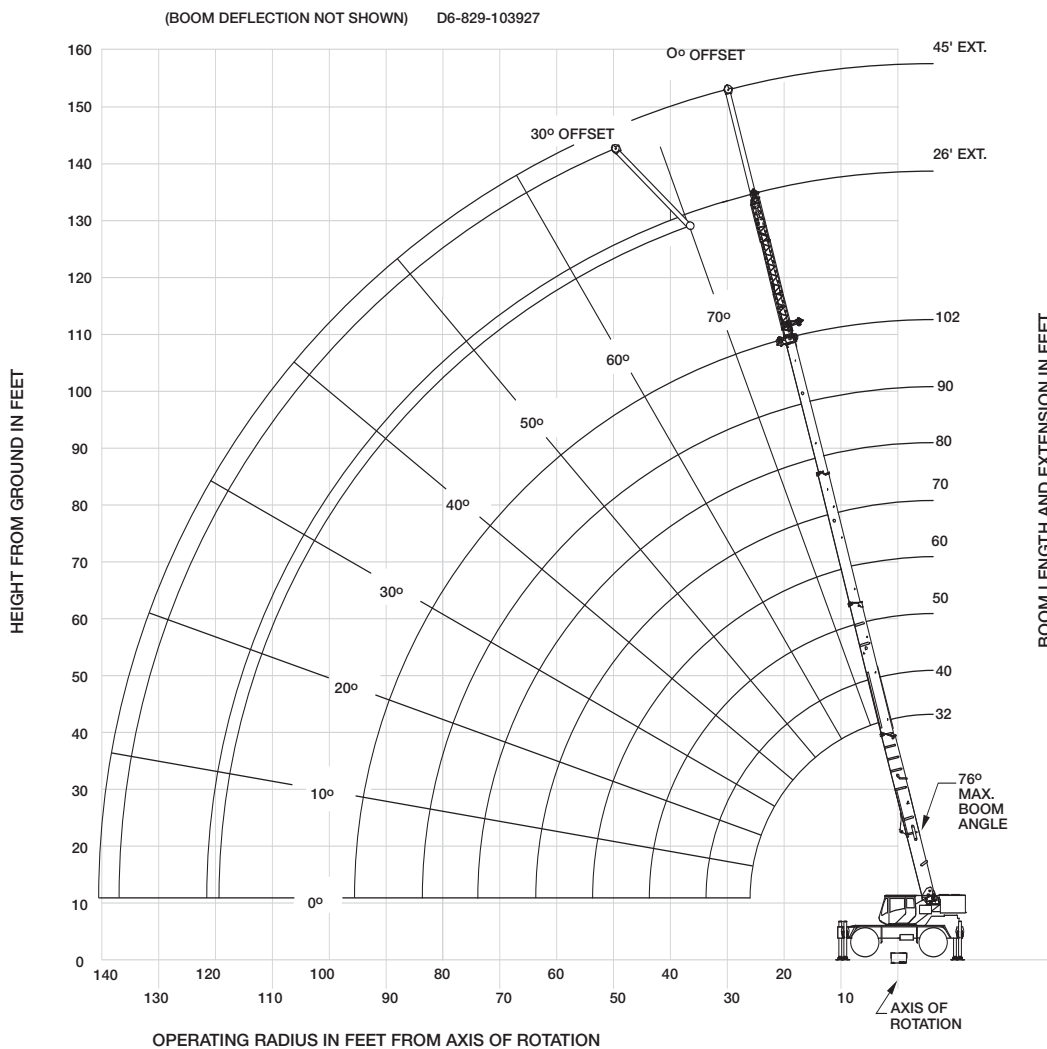


working range

Working range – 102 ft. Main Boom + 26-45 ft. extension

6

WORKING RANGE DIAGRAM



DIMENSIONS ARE FOR LARGEST GROVE FURNISHED HOOK BLOCK AND HEADACHE BALL, WITH ANTI-TWO BLOCK ACTIVATED.


RT540E


THIS CHART IS ONLY A GUIDE AND SHOULD NOT BE USED TO OPERATE THE CRANE. The individual crane's load chart, operating instructions and other instructional plates must be read and understood prior to operating the crane.


GROVE





RT540E load chart



 32 - 102 ft.


 9,490 lbs


 100%
 23' 4" spread


 360°



 Pounds

7

Feet	Main Boom Length in Feet							
	32	40	50	60	70	80	90	102
8	80,000 (69)							
10	72,200 (65)	50,700 (70.5)	48,500 (75)					
12	61,000 (61)	50,700 (67.5)	48,500 (72.5)	*46,400 (76)				
15	47,950 (54)	48,400 (62.5)	48,500 (69)	44,300 (73)	*38,700 (76)			
20	34,550 (41)	35,000 (53.5)	35,400 (62.5)	35,300 (67.5)	31,000 (71.5)	29,700 (74)	*22,000 (76)	
25	26,300 (20.5)	26,800 (43.5)	27,200 (55.5)	27,400 (62.5)	25,800 (67)	24,600 (70.5)	22,000 (73)	*18,500 (76)
30		21,250 (30)	21,650 (47.5)	21,850 (56.5)	21,800 (62.5)	20,800 (66.5)	18,350 (69.5)	17,500 (73)
35			17,650 (38.5)	17,900 (50.5)	18,050 (57.5)	17,800 (62.5)	15,600 (66)	15,200 (70)
40			14,400 (26.5)	14,450 (43.5)	14,650 (52.5)	14,800 (58.5)	13,500 (62.5)	13,200 (66.5)
45				11,650 (35)	11,800 (46.5)	11,900 (54)	11,750 (59)	11,600 (63.5)
50				9,480 (24.5)	9,680 (40.5)	9,770 (49)	9,780 (55)	9,790 (60.5)
55					7,970 (33)	8,080 (44)	8,110 (51)	8,130 (57)
60					6,600 (23)	6,720 (38)	6,770 (46.5)	6,800 (53.5)
65						5,590 (31)	5,670 (42)	5,710 (49.5)
70						4,640 (21.5)	4,740 (36)	4,800 (45.5)
75							3,940 (29.5)	4,040 (41)
80							3,250 (21)	3,360 (36)
85								2,770 (30.5)
90								2,250 (23)
95								1,800 (9.5)
Minimum boom angle (°) for indicated length (no load)								0
Maximum boom length (ft.) at 0° boom angle (no load)								102
NOTE: () Boom angles are in degrees. #LMI operating code. Refer to LMI manual for operating instructions. *This capacity is based on maximum boom angle.								
Lifting Capacities at Zero Degree Boom Angle								
Boom Angle	Main Boom Length in Feet							
	32	40	50	60	70	80	90	102
0°	24,950 (26)	18,100 (33.8)	12,150 (43.8)	8,180 (53.8)	5,740 (63.8)	4,030 (73.8)	2,800 (63.8)	1,760 (95.5)

RT540E

THIS CHART IS ONLY A GUIDE AND SHOULD NOT BE USED TO OPERATE THE CRANE. The individual crane's load chart, operating instructions and other instructional plates must be read and understood prior to operating the crane.



RT540E load chart

8



26 ft. LENGTH		
Feet	#0051 0° OFFSET	#0053 30° OFFSET
35	*8,200 (76)	
40	8,200 (72.5)	
45	8,200 (70)	*5,780 (76)
50	8,150 (67.5)	5,780 (72.5)
55	7,500 (65)	5,450 (70)
60	6,440 (62.5)	4,910 (67.5)
65	5,460 (60)	4,450 (64.5)
70	4,620 (57.5)	4,050 (62)
75	3,900 (54.5)	3,670 (59)
80	3,260 (51.5)	3,350 (56)
85	2,710 (48.5)	3,100 (53)
90	2,210 (45)	2,580 (49.5)
95	1,770 (41.5)	2,080 (46)
100	1,380 (38)	1,620 (41.5)
105	1,020 (33.5)	1,200 (37)
Min. boom angle for indicated length (no load)	32°	36°
Max. boom length at 0° boom angle (no load)	80 ft.	

NOTE: () Boom angles are in degrees.
#LMI operating code. Refer to LMI manual for instructions.
*This capacity based on maximum boom angle.

A6-829-104329



26 ft. LENGTH		45 ft. LENGTH				
Feet	#0021 0° OFFSET	#0022 15° OFFSET	#0023 30° OFFSET	#0041 0° OFFSET	#0042 15° OFFSET	#0043 30° OFFSET
35	*10,200 (76)					
40	9,460 (72.5)	*7,770 (76)		*5,250 (76)		
45	8,760 (70)	7,370 (72)	*6,030 (76)	5,250 (73.5)		
50	8,150 (67.5)	6,870 (69.5)	5,780 (72.5)	5,050 (71.5)	3,660 (76)	
55	7,510 (65)	6,050 (67)	5,520 (70)	4,650 (69.5)	3,540 (72.5)	
60	6,700 (62.5)	5,350 (64.5)	5,290 (67.5)	4,290 (67)	3,430 (70.5)	*3,000 (76)
65	5,990 (60)	4,740 (62)	4,810 (64.5)	4,000 (65)	3,320 (68.5)	2,890 (72.5)
70	5,240 (57.5)	4,210 (59)	4,270 (62)	3,800 (63)	3,220 (66)	2,790 (70.5)
75	4,400 (54.5)	3,750 (56)	3,800 (59)	3,650 (60.5)	3,130 (64)	2,700 (68)
80	3,670 (51.5)	3,330 (53.5)	3,380 (56)	3,520 (58.5)	3,000 (61.5)	2,620 (65.5)
85	3,050 (48.5)	2,960 (50.5)	3,010 (53)	3,360 (56)	2,880 (59)	2,550 (63)
90	2,500 (45)	2,590 (47)	2,670 (49.5)	3,030 (53.5)	2,770 (56.5)	2,480 (60.5)
95	2,020 (41.5)	2,130 (43.5)	2,270 (46)	2,640 (51)	2,680 (54)	2,410 (57.5)
100	1,590 (38)	1,680 (40)	1,790 (41.5)	2,270 (48)	2,570 (51.5)	2,380 (55)
105	1,200 (33.5)	1,280 (35.5)	1,360 (37)	1,930 (45.5)	2,260 (48.5)	2,310 (52)
110				1,630 (42.5)	1,890 (45.5)	2,030 (48.5)
115				1,330 (39)	1,550 (42)	1,700 (45)
120				1,040 (35.5)	1,240 (38.5)	1,400 (41)
125						1,080 (36.5)
Min. boom angle for indicated length (no load)	29°	30.5°	36°	34°	34.5°	35°
Max. boom length at 0° boom angle (no load)	80 ft.			80 ft.		

NOTE: () Boom angles are in degrees.
#LMI operating code. Refer to LMI manual for instructions.
*This capacity based on maximum boom angle.

A6-829-104322

BOOM EXTENSION CAPACITY NOTES:

- All capacities above the bold line are based on structural strength of boom extension.
- 26 ft. fixed extension lengths may be used for single line lifting service.
- Radii listed are for a fully extended boom with the boom extension erected. For main boom lengths less than fully extended, the rated loads are determined by boom angle. Use only the column which corresponds to the boom extension length and offset for which the machine is configured. For boom angles not shown, use the rating of the next lower boom angle.
WARNING: Operation of this machine with heavier loads than the capacities listed is strictly prohibited. Machine tipping with boom extension occurs rapidly and without advance warning.
- Boom angle is the angle above or below horizontal of the longitudinal axis of the boom base section after lifting rated load.
- Capacities listed are with outriggers fully extended and vertical jacks set only.
- When lifting over the main boom nose with 26 ft. fixed extension erected, the outriggers must be fully extended or 50% extended (14' spread).

BOOM EXTENSION CAPACITY NOTES:

- All capacities above the bold line are based on structural strength of boom extension.
- 26 ft. and 45 ft. tele extension lengths may be used for single line lifting service.
- Radii listed are for a fully extended boom with the boom extension erected. For main boom lengths less than fully extended, the rated loads are determined by boom angle. Use only the column which corresponds to the boom extension length and offset for which the machine is configured. For boom angles not shown, use the rating of the next lower boom angle.
WARNING: Operation of this machine with heavier loads than the capacities listed is strictly prohibited. Machine tipping with boom extension occurs rapidly and without advance warning.
- Boom angle is the angle above or below horizontal of the longitudinal axis of the boom base section after lifting rated load.
- Capacities listed are with outriggers fully extended and vertical jacks set only.
- When lifting over the main boom nose with 26 ft. or 45 ft. tele extension erected, the outriggers must be fully extended or 50% extended (14' spread).

THIS CHART IS ONLY A GUIDE AND SHOULD NOT BE USED TO OPERATE THE CRANE. The individual crane's load chart, operating instructions and other instructional plates must be read and understood prior to operating the crane.

RT540E



RT540E load charts

32 - 60 ft. 9,490 lbs. Stationary 360°

Pounds

#9005

Feet	Main Boom Length in Feet			
	32	40	50	60
10	24,050 (65)	24,100 (70.5)	23,000 (76)	
12	21,600 (61)	22,050 (67.5)	21,600 (72.5)	
15	15,250 (54)	15,550 (62.5)	16,100 (68.5)	13,900 (72.5)
20	9,110 (41)	9,380 (53.5)	9,860 (62)	9,860 (67.5)
25	5,790 (20)	6,050 (43)	6,400 (55)	6,510 (62)
30		3,970 (29.5)	4,240 (47.5)	4,370 (56)
35			2,770 (38)	2,900 (50)
40			1,690 (26)	1,840 (43)
45				1,030 (34.5)
Minimum boom angle (°) for indicated length (no load)				33
Maximum boom length (ft.) at 0° boom angle (no load)				50

NOTE: () Boom angles are in degrees.
#LMI operating code. Refer to LMI manual for operating instructions.

Lifting Capacities at Zero Degree Boom Angle

Boom Angle	Main Boom Length in Feet		
	32	40	50
0°	5,290 (26)	2,850 (33.8)	1,060 (43.8)

NOTE: () Reference radii in feet. A6-829-104281

32 - 60 ft. 9,490 lbs. Pick & Carry (Max. 2.5 MPH) 20.5 x 25 Tires Defined Arc Over Front

Pounds

#9006

Feet	Main Boom Length in Feet			
	32	40	50	60
10	27,150 (65)	26,900 (70.5)		
12	23,350 (61)	23,250 (67.5)		
15	18,950 (54)	19,100 (62.5)	19,400 (69)	
20	13,700 (41)	14,200 (53.5)	14,500 (62.5)	14,550 (67.5)
25	10,100 (20)	10,750 (43.5)	11,150 (55.5)	11,200 (62)
30		8,290 (30)	8,620 (47.5)	8,790 (56.5)
35			6,710 (38.5)	6,890 (50)
40			5,210 (26.5)	5,390 (43)
45				4,180 (35)
50				3,190 (24)
Minimum boom angle (°) for indicated length (no load)				0
Maximum boom length (ft.) at 0° boom angle (no load)				60

NOTE: () Boom angles are in degrees.
#LMI operating code. Refer to LMI manual for operating instructions.

Lifting Capacities at Zero Degree Boom Angle

Boom Angle	Main Boom Length in Feet			
	32	40	50	60
0°	9,520 (26)	6,830 (33.8)	4,280 (43.8)	2,560 (53.8)

NOTE: () Reference radii in feet. A6-829-104282

9

NOTES TO ALL RUBBER CAPACITY CHARTS:

- Capacities are in pounds and do not exceed 75% of tipping loads as determined by test in accordance with SAE J765.
- Capacities are applicable to machines equipped with 20.5x25 (24 ply) tires at 75 psi cold inflation pressure, and 16.00x25 (28 ply) tires at 100 psi cold inflation pressure.
- Capacities appearing above the bold line are based on structural strength and tipping should not be relied upon as a capacity limitation.
- Capacities are applicable only with machine on firm level surface.
- On rubber lifting with boom extensions not permitted.
- For pick and carry operation, boom must be centered over front of machine, mechanical swing lock engaged and load restrained from swinging. When handling loads in the structural range with capacities close to maximum ratings, travel should be reduced to creep speeds.
- Axle lockouts must be functioning when lifting on rubber.
- All lifting depends on proper tire inflation, capacity and condition. Capacities must be reduced for lower tire inflation pressures. See lifting capacity chart for tire used. Damaged tires are hazardous to safe operation of crane.
- Creep - Not over 200 ft. of movement in any 30 minute period and not exceeding 1 mph.

THIS CHART IS ONLY A GUIDE AND SHOULD NOT BE USED TO OPERATE THE CRANE. The individual crane's load chart, operating instructions and other instructional plates must be read and understood prior to operating the crane.

RT540E

GROVE

load charts

10

		Pounds									
		#4001									
		Main Boom Length in Feet									
Feet		32	40	50	60	70	80	90	102		
8	77,000 (69)										
10	66,250 (65)	50,700 (70.5)	48,500 (75)								
12	57,950 (61)	50,700 (67.5)	48,500 (72.5)	46,400 (76)							
15	46,300 (54)	44,200 (62.5)	41,800 (69)	39,550 (73)	37,950 (76)						
20	27,100 (41)	27,700 (53.5)	27,050 (62.5)	25,950 (67.5)	24,950 (71.5)	24,000 (74)	22,000 (76)				
25	17,950 (20.5)	18,250 (43.5)	18,500 (55.5)	18,450 (62.5)	18,050 (67)	17,450 (70.5)	16,550 (73)	16,350 (76)			
30		12,850 (30)	13,200 (47.5)	13,300 (56.5)	13,550 (62.5)	13,250 (66.5)	12,950 (69.5)	12,500 (73)			
35		9,790 (38.5)	9,910 (50.5)	10,150 (57.5)	10,250 (62.5)	10,100 (66)	10,100 (68.5)	9,830 (70)			
40		7,400 (28.5)	7,520 (43.5)	7,770 (52.5)	7,910 (58.5)	7,950 (62.5)	7,620 (65.5)	7,620 (68.5)			
45		5,760 (35)	5,970 (46.5)	6,150 (54)	6,150 (59)	6,180 (63.5)					
50		4,410 (24.5)	4,590 (40.5)	4,750 (49)	4,750 (55)	4,820 (60.5)					
55		3,500 (33)	3,630 (44)	3,710 (51)	3,760 (57)						
60			2,610 (23)	2,730 (38)	2,810 (46.5)	2,890 (53.5)					
65				1,960 (31)	2,070 (42)	2,150 (49.5)					
70					1,350 (21.5)	1,440 (36)	1,530 (45.5)				
75						1,000 (41)					

Minimum boom angle (°) for indicated length (no load) 0 21 36
 Maximum boom length (ft.) at 0° boom angle (no load) 80

NOTE: () Boom angles are in degrees.
 #LMI operating code. Refer to LMI manual for operating instructions.
 *This capacity is based on maximum boom angle.

Lifting Capacities at Zero Degree Boom Angle

		Pounds			
		#8001			
		Main Boom Length in Feet			
Boom Angle		32	40	50	70
0°		16,300 (26)	10,150 (33.8)	6,030 (43.8)	3,580 (63.8)

NOTE: () Reference radii in feet. A6-829-104279

		Pounds	
		#4051	
		26 ft LENGTH	
Feet		8" OFFSET	30" OFFSET
35		8,200 (76)	
40		7,240 (72.5)	
45		5,780 (70)	5,780 (73)
50		4,610 (67.5)	5,740 (72.5)
55		3,650 (65)	4,650 (70)
60		2,950 (62.5)	3,720 (67.5)
65		2,140 (60)	2,900 (64.5)
70		1,540 (57.5)	2,210 (62)
75		1,030 (54.5)	1,620 (59)
80			1,100 (56)

Min. boom angle for indicated length (no load) 51.5° 53°
 Max. boom length at 0° boom angle (no load) 60 ft.

A6-829-104330

NOTE: () Boom angles are in degrees.
 #LMI operating code. Refer to LMI manual for instructions.
 *This capacity based on maximum boom angle.

BOOM EXTENSION CAPACITY NOTES:

- All capacities above the bold line are based on structural strength of boom extension.
 - 26 ft. fixed extension lengths may be used for single line lifting service.
 - Radii listed are for a fully extended boom with the boom extension erected. For main boom lengths less than fully extended, the rated loads are determined by boom angle. Use only the column which corresponds to the boom extension length and offset for which the machine is configured. For boom angles not shown, use the rating of the next lower boom angle.
- WARNING:** Operation of this machine with heavier loads than the capacities listed is strictly prohibited. Machine tipping with boom extension occurs rapidly and without advance warning.
- Boom angle is the angle above or below horizontal of the longitudinal axis of the boom base section after lifting rated load.
 - Capacities listed are with outriggers properly extended and vertical jacks set only.
 - When lifting over the main boom nose with 26 ft. fixed extension erected, the outriggers must be fully extended or 50% extended (14' spread).

		Pounds					
		26 ft LENGTH			45 ft LENGTH		
Feet		#4021 8" OFFSET	#4022 15" OFFSET	#4023 30" OFFSET	#4041 8" OFFSET	#4042 15" OFFSET	#4043 30" OFFSET
35		9,120 (85)					
40		7,240 (72.5)	7,770 (76)		5,250 (76)		
45		5,780 (70)	6,460 (72)	5,030 (76)	5,250 (73.5)		
50		4,610 (67.5)	5,200 (69.5)	5,740 (72.5)	5,050 (71.5)	3,660 (76)	
55		3,650 (67.5)	4,180 (67)	4,650 (70)	4,280 (69.5)	3,540 (72.5)	
60		2,850 (62.5)	3,320 (64.5)	3,720 (67.5)	3,480 (67)	3,450 (70.5)	3,000 (76)
65		2,140 (60)	2,550 (62)	2,900 (64.5)	2,820 (65)	3,320 (68.5)	2,890 (76)
70		1,540 (57.5)	1,900 (59)	2,210 (62)	2,260 (63)	2,880 (66)	2,790 (70.5)
75		1,030 (54.5)	1,350 (56)	1,620 (59)	1,740 (60.5)	2,300 (64)	2,200 (68)
80			1,100 (56)	1,300 (58.5)	1,800 (61.5)	2,240 (65.5)	
85					1,360 (59)	1,750 (65)	
90						1,320 (60.5)	

Min. boom angle for indicated length (no load) 51.5° 53.5° 53° 56° 56.5° 57.5°
 Max. boom length at 0° boom angle (no load) 60 ft. 60 ft.

A6-829-104323

NOTE: () Boom angles are in degrees.
 #LMI operating code. Refer to LMI manual for instructions.
 *This capacity based on maximum boom angle.

BOOM EXTENSION CAPACITY NOTES:

- All capacities above the bold line are based on structural strength of boom extension.
 - 26 ft. and 45 ft. tele extension lengths may be used for single line lifting service.
 - Radii listed are for a fully extended boom with the boom extension erected. For main boom lengths less than fully extended, the rated loads are determined by boom angle. Use only the column which corresponds to the boom extension length and offset for which the machine is configured. For boom angles not shown, use the rating of the next lower boom angle.
- WARNING:** Operation of this machine with heavier loads than the capacities listed is strictly prohibited. Machine tipping with boom extension occurs rapidly and without advance warning.
- Boom angle is the angle above or below horizontal of the longitudinal axis of the boom base section after lifting rated load.
 - Capacities listed are with outriggers properly extended and vertical jacks set only.
 - When lifting over the main boom nose with 26 ft. or 45 ft. tele extension erected, the outriggers must be fully extended or 50% extended (14' spread).

RT540E

THIS CHART IS ONLY A GUIDE AND SHOULD NOT BE USED TO OPERATE THE CRANE. The individual crane's load chart, operating instructions and other instructional plates must be read and understood prior to operating the crane.



This information is for reference use only. Operators manual should be consulted and adhered to.

Please contact Bigge Crane and Rigging Co. at 888-337-BIGGE or email info@bigge.com for further information.



load handling

11

Weight Reductions for Load Handling Devices

26 ft. Fixed Boom Extension	Pounds
*Erected -	2,750

26 ft.-45 ft. Tele. Boom Extension	Pounds
*Erected (Retracted) -	3,750
*Erected (Extended) -	5,010

*Reduction of main boom capacities

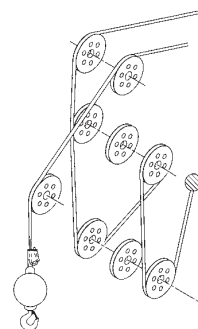
Auxiliary Boom Nose	Pounds
	105

Hookblocks and Headache Balls	Pounds
35 Ton, 3 Sheave (14" sheave)	623 +
35 Ton, 3 Sheave (12" sheave)	599 +
35 Ton, 4 Sheave (CE)	774 +
7.5 Ton Overhaul Ball	369 +

*Refer to rating plate for actual weight.

When lifting over swingaway and/or jib combinations, deduct total weight of all load handling devices reeved over main boom nose directly from swingaway or jib capacity.

NOTE: All load handling devices and boom attachments are considered part of the load and suitable allowances MUST BE MADE for their combined weights. Weights are for Grove furnished equipment.



Line Pulls and Reeving Information

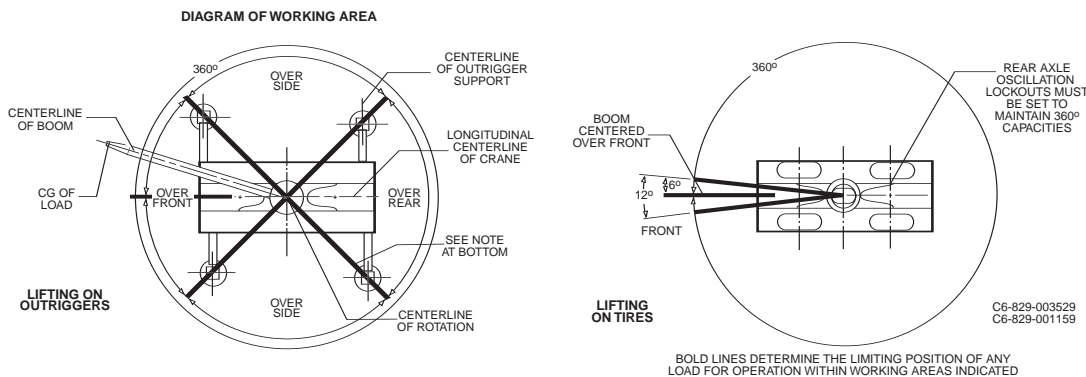
Hoists	Cable Specs	Permissible Line Pulls	Nominal Cable Length
Main	5/8" (16 mm) 6x37 Class	11,640 lb.	450 ft.
	EIPS, IWRC Special Flexible Min. Breaking Str. 41,200 lb.		
Main & Aux.	5/8" (16 mm) Flex-X 35 Rotation Resistant (non-rotating) Min. Breaking Str. 61,200 lb.	11,640 lb.	450 ft.

Hoist Performance

Wire Rope Layer	Hoist Line Pulls Two Speed Hoist		Drum Rope Capacity (ft.)	
	Low Available lb.*	High Available lb.*	Layer	Total
1	11,640	7,420	77	77
2	10,480	6,680	85	162
3	9,530	6,070	94	256
4	8,730	5,570	102	358
5	8,060	5,140	111	469
6	7,490	4,770	119	588

*Max. lifting capacity: 6x37 class = 11,640 lb.
35x7 class = 11,640 lb.

Working Area Diagram



Bold lines determine the limiting position of any load for operation within working areas indicated.

THIS CHART IS ONLY A GUIDE AND SHOULD NOT BE USED TO OPERATE THE CRANE. The individual crane's load chart, operating instructions and other instructional plates must be read and understood prior to operating the crane.

RT540E

GROVE®**Bigge Crane and Rigging Co.**

10700 Bigge Avenue
 San Leandro, CA 94577
 Phone: (888) 337-BIGGE or (510) 638-8100
 Fax: (510) 639-4053
 Email: info@bigge.com
 Web site: www.bigge.com



Manitowoc
 Crane CARE



www.biggecranesales.com



Constant improvement and engineering progress make it necessary that we reserve the right to make specification, equipment, and price changes without notice. Illustrations shown may include optional equipment and accessories, and may not include all standard equipment.

0107-3M Printed in USA Form No. RT540E Part No. 07-001 Manitowoc Crane Group 2007

