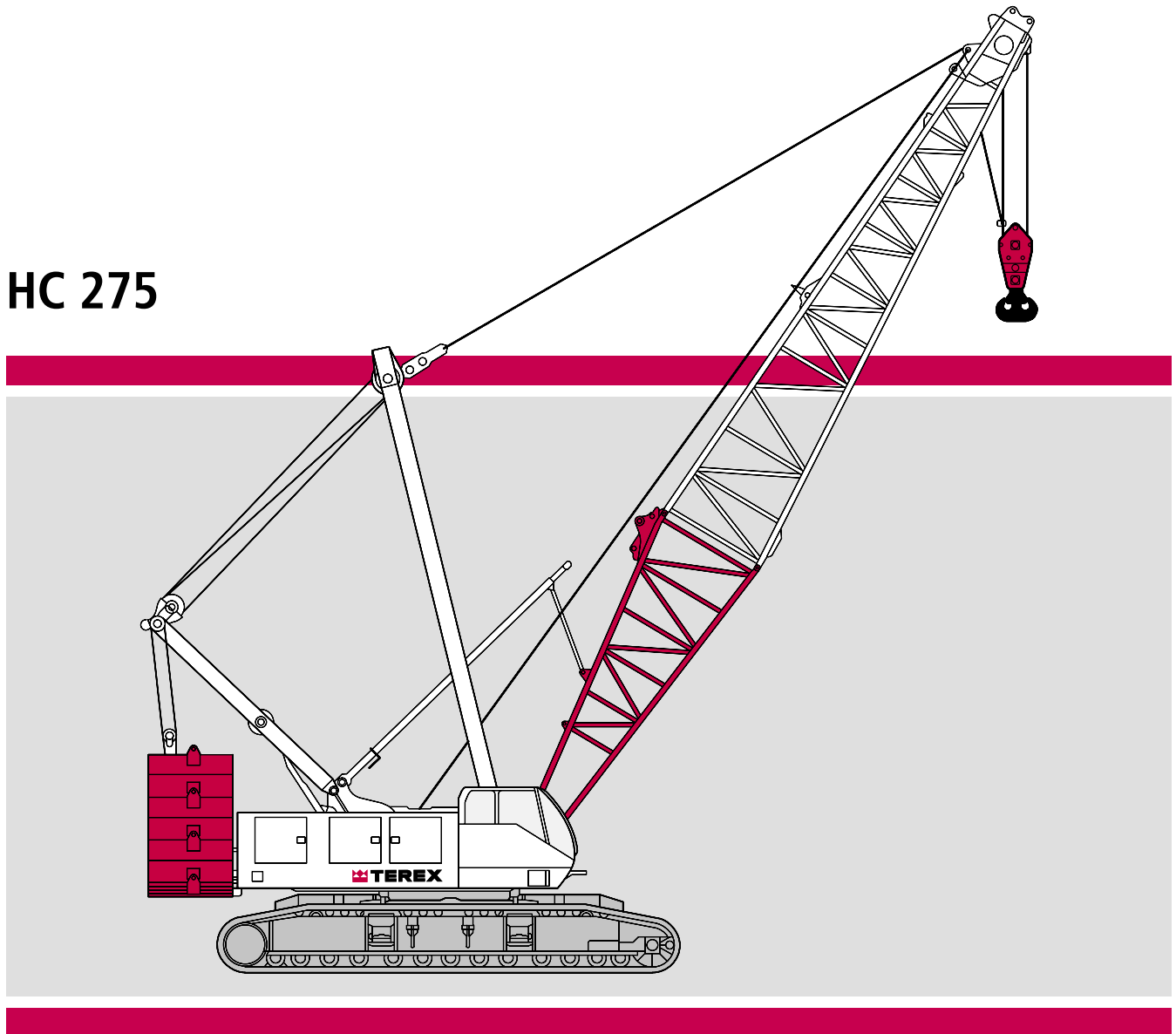




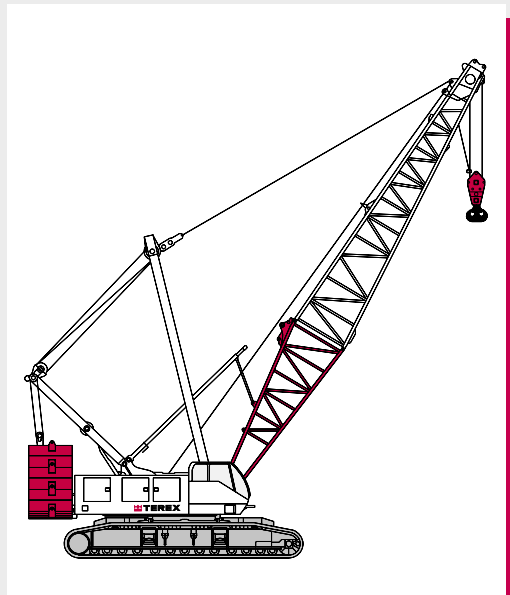
**HC 275**



# HIGHLIGHTS

## Demag HC 275

- ▶ 275 tons (249.5 m) maximum lift capacity
- ▶ Power up/down and freefall on main and auxiliary drums
- ▶ Quiet, comfortable operator's cab with excellent viewing range
- ▶ Shockless stop system gradually retards operating speed to reduce shocks when crane approaches lifting load or boom limits
- ▶ Two speed travel allows operator to select the best speed and power control for any condition
- ▶ Superior transportability:  
11 ft 6 in. (3.51 m) width  
11 ft 3 in. (3.43 m) height
- ▶ Hydraulic counterweight removal system simplifies installation and removal



WWW. [terex-cranes.com](http://terex-cranes.com)

# Contents

	Page:
<b>Specifications</b>	
Dimensions . . . . .	4
<b>Main boom</b>	
Range diagram 92HI boom . . . . .	6
With 92HI offset tip boom and 195,000 pound counterweight . . . . .	7
<b>Jib</b>	
Range diagram, #30 Jib . . . . .	12
With 92HI offset tip boom and 195,000 pound counterweight, #30 Jib . . . . .	13
Range diagram, 16HL Jib . . . . .	29
With 92HI offset tip boom and 195,000 pound counterweight, 16HL Jib . . . . .	30
<b>Technical description</b>	
Hydraulic Crawler Crane . . . . .	48
<b>Transport example for HC 275</b>	
. . . . .	49

1

2

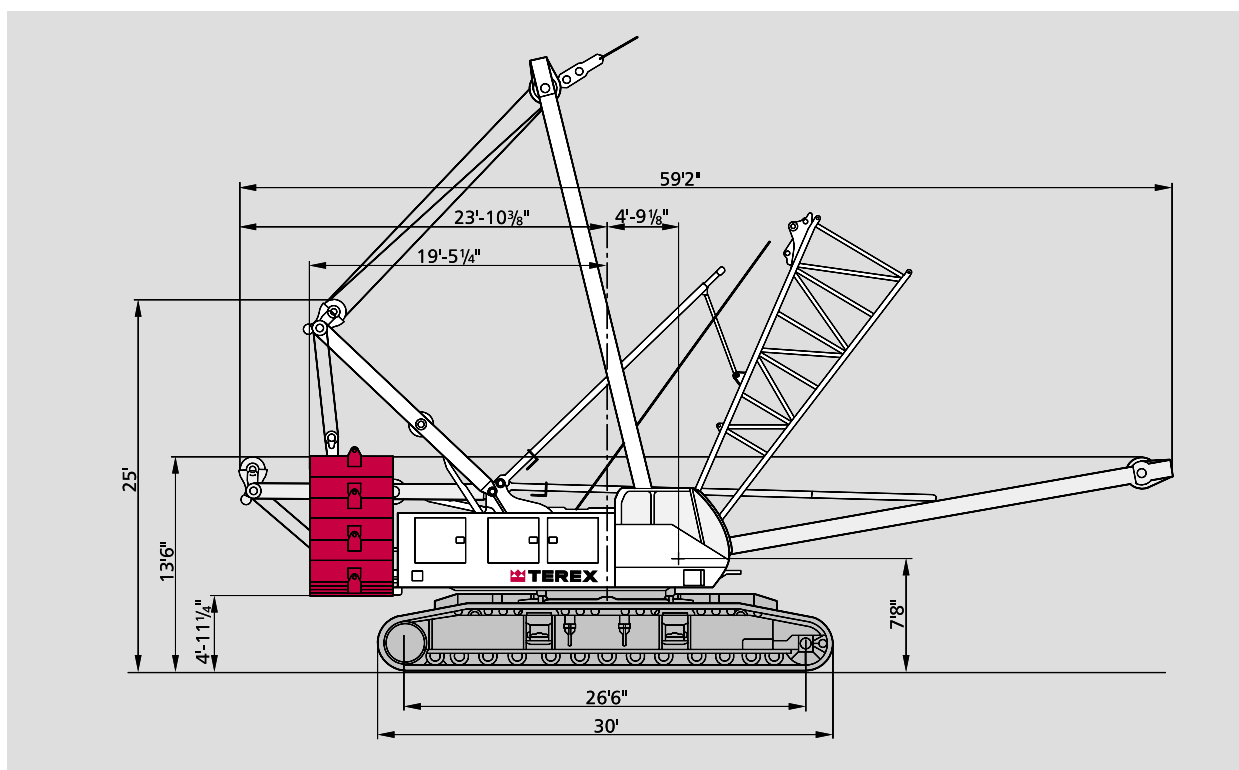
3

4

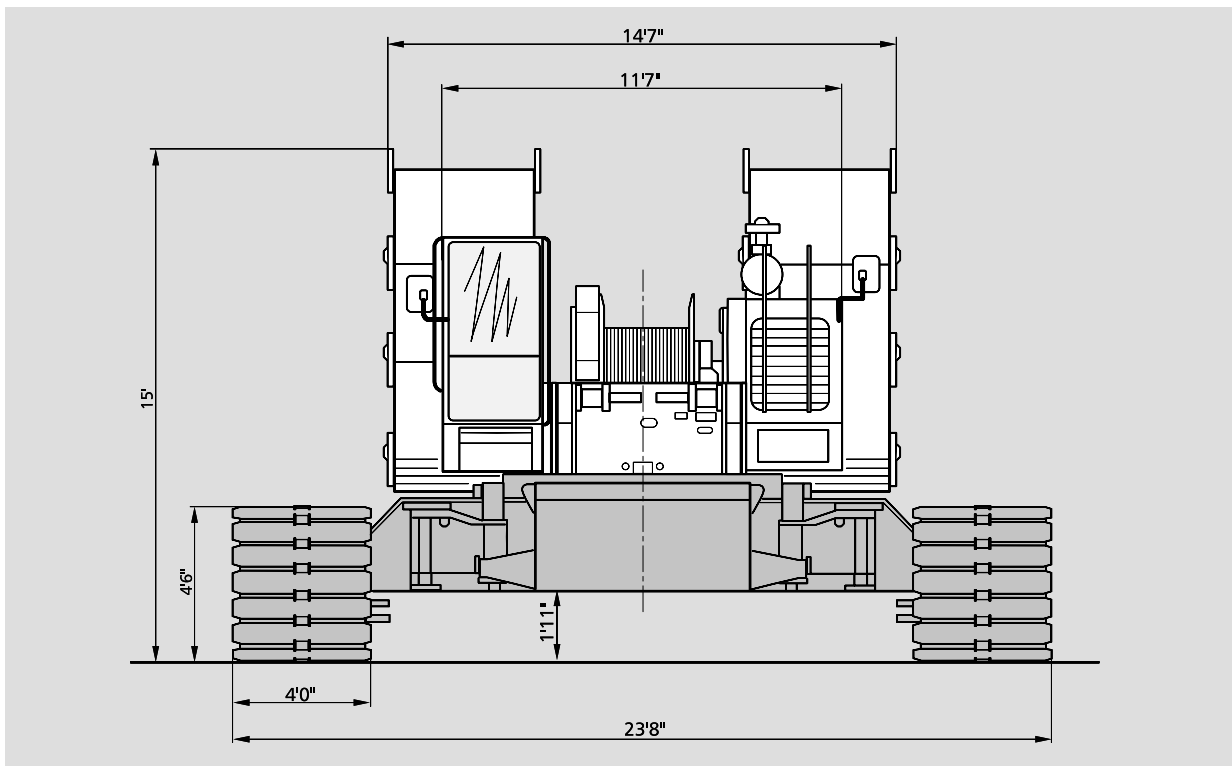
5



## Dimensions



1

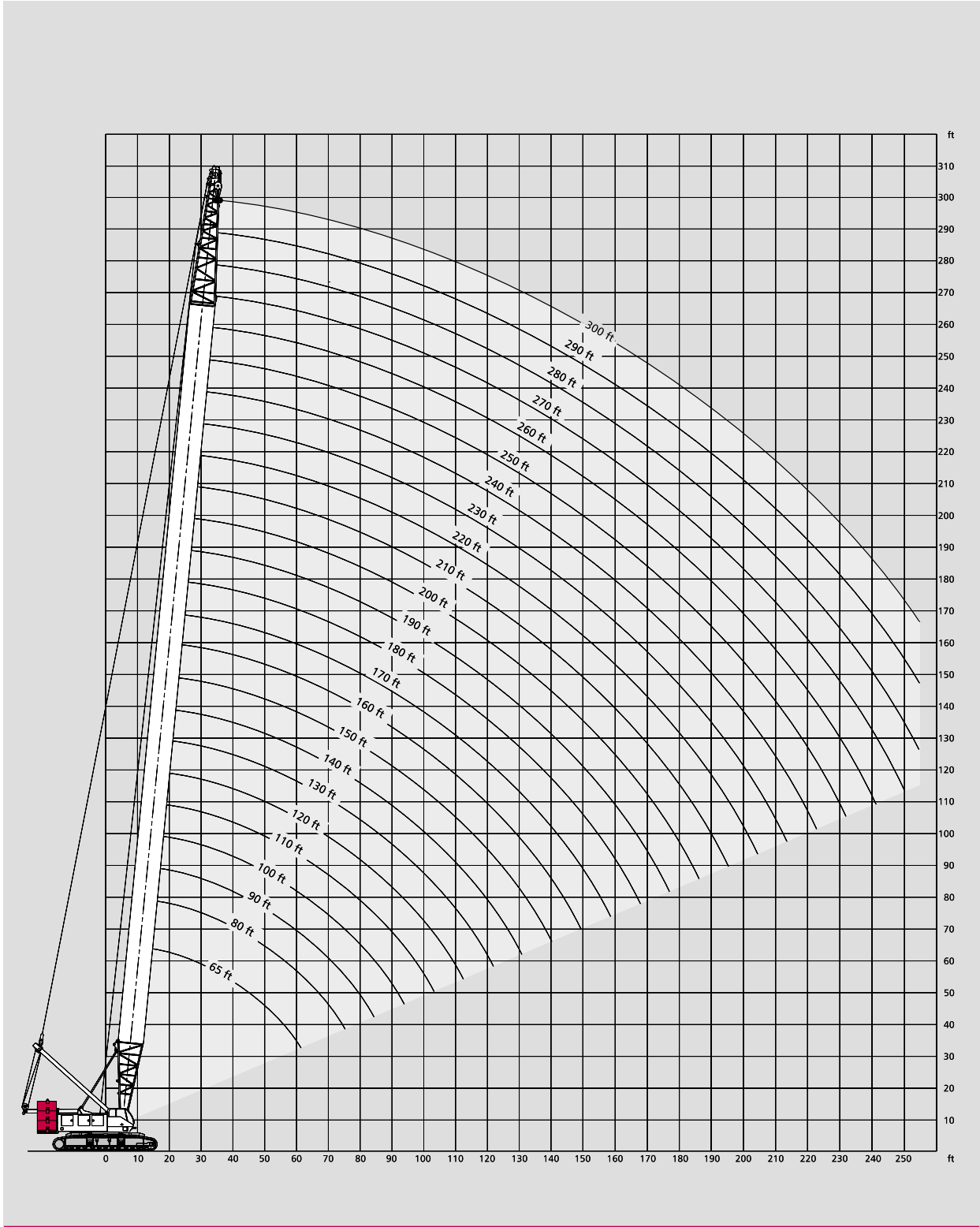


HC 275

5



# Range Diagram 92HI Boom



## With 92HI Offset Tip Boom and 195,000 Pound Counterweight

195 klb + 64 klb CB 

360°

ANSI B 30.5  
DIN/ISO

65' (21.3 m) Boom length			
Radius (Feet)	Boom Angle (Degrees)	360 Degree Rating (Pounds)	From Boom Pt. to Ground (Feet)
16	81.4	550,000 *	77
20	77.8	438,430 *	76
25	73.2	350,740 *	75
30	68.5	292,250 *	74
35	63.6	232,570	72
40	58.5	191,980	69
50	47.2	141,340	62
60	33.1	111,040	52

80' (24.4 m) Boom length			
Radius (Feet)	Boom Angle (Degrees)	360 Degree Rating (Pounds)	From Boom Pt. to Ground (Feet)
18	81.6	486,730 *	87
20	80.1	438,040 *	86
25	76.4	350,420 *	85
30	72.7	291,950 *	84
35	68.9	232,830	82
40	64.9	192,200	80
50	56.6	141,520	74
60	47.4	111,220	67
70	36.5	90,940	55
80	21.0	76,540	36

90' (27.4 m) Boom length			
Radius (Feet)	Boom Angle (Degrees)	360 Degree Rating (Pounds)	From Boom Pt. to Ground (Feet)
19	81.8	460,720 *	97
20	81.2	437,780 *	97
25	78.0	350,200 *	96
30	74.7	291,750 *	94
35	71.3	232,570	93
40	67.9	191,940	91
50	60.8	141,230	86
60	53.1	110,930	80
70	44.5	90,640	71
80	34.2	76,270	58
90	19.7	65,390	38

100' (30.5 m) Boom length			
Radius (Feet)	Boom Angle (Degrees)	360 Degree Rating (Pounds)	From Boom Pt. to Ground (Feet)
21	81.5	416,560 *	107
25	79.2	349,990 *	106
30	76.2	291,560 *	105
35	73.3	232,180	103
40	70.2	191,530	102
50	64.0	140,800	98
60	57.3	110,500	92
70	50.1	90,190	84
80	42.1	75,850	75
90	32.4	64,980	61
100	18.6	56,510	40

110' (33.5 m) Boom length			
Radius (Feet)	Boom Angle (Degrees)	360 Degree Rating (Pounds)	From Boom Pt. to Ground (Feet)
22	81.8	397,510 *	117
25	80.2	349,770 *	116
30	77.5	291,370 *	115
35	74.8	231,840	114
40	72.1	191,170	112
50	66.5	140,420	109
60	60.6	110,120	104
70	54.4	89,800	97
80	47.6	75,490	89
90	40.0	64,610	78
100	30.8	56,140	64
110	17.7	49,370	41

120' (36.6 m) Boom length			
Radius (Feet)	Boom Angle (Degrees)	360 Degree Rating (Pounds)	From Boom Pt. to Ground (Feet)
23	82.0	373,770 *	126
25	81.0	349,560 *	126
30	78.6	291,180 *	125
35	76.1	231,450	124
40	73.6	190,780	123
50	68.6	140,010	119
60	63.3	109,710	115
70	57.8	89,380	109
80	51.9	75,080	102
90	45.5	64,200	93
100	38.2	55,730	82
110	29.4	48,960	67
120	16.9	43,430	43

130' (39.6 m) Boom length			
Radius (Feet)	Boom Angle (Degrees)	360 Degree Rating (Pounds)	From Boom Pt. to Ground (Feet)
25	81.7	321,040 *	136
30	79.5	287,400 *	135
35	77.2	231,430	134
40	74.9	190,760	133
50	70.3	140,010	130
60	65.5	109,740	126
70	60.5	89,410	121
80	55.3	75,140	115
90	49.7	64,250	107
100	43.6	55,790	97
110	36.6	49,020	85
120	28.2	43,490	69
130	16.2	38,980	44

140' (42.7 m) Boom length			
Radius (Feet)	Boom Angle (Degrees)	360 Degree Rating (Pounds)	From Boom Pt. to Ground (Feet)
26	81.9	297,000 *	146
30	80.2	281,420 *	146
35	78.1	231,040	145
40	76.0	190,370	144
50	71.8	139,590	141
60	67.4	109,320	137
70	62.8	88,970	132
80	58.1	74,720	127
90	53.1	63,820	120
100	47.8	55,360	111
110	41.9	48,590	101
120	35.2	43,060	88
130	27.2	38,600	72
140	15.6	34,660	45

150' (45.7 m) Boom length			
Radius (Feet)	Boom Angle (Degrees)	360 Degree Rating (Pounds)	From Boom Pt. to Ground (Feet)
28	81.7	292,420 *	156
30	80.9	275,620 *	156
35	78.9	230,610	155
40	77.0	189,910	154
50	73.0	139,110	151
60	69.0	108,840	148
70	64.8	88,460	143
80	60.5	74,230	138
90	55.9	63,320	132
100	51.2	54,850	124
110	46.0	48,080	116
120	40.4	42,540	105
130	34.0	38,120	91
140	26.2	34,200	74
150	15.1	30,820	47



HC 275



## With 92HI Offset Tip Boom and 195,000 Pound Counterweight

195 klb + 64 klb CB 

360°

ANSI B 30.5  
DIN/ISO

160' (48.8 m) Boom length			
Radius (Feet)	Boom Angle (Degrees)	360 Degree Rating (Pounds)	From Boom Pt. to Ground (Feet)
29	81.8	270,330 *	166
30	81.5	268,190 *	166
35	79.6	227,390 *	165
40	77.8	189,490	164
50	74.1	138,670	162
60	70.3	108,380	158
70	66.5	88,000	154
80	62.5	73,780	150
90	58.3	62,870	144
100	54.0	54,390	137
110	49.4	47,610	129
120	44.5	42,070	120
130	39.0	37,680	108
140	32.8	33,760	94
150	25.3	30,390	76
160	14.6	27,470	48

190' (57.9 m) Boom length			
Radius (Feet)	Boom Angle (Degrees)	360 Degree Rating (Pounds)	From Boom Pt. to Ground (Feet)
33	81.9	199,300 *	196
35	81.3	197,990 *	195
40	79.8	186,320 *	195
50	76.7	137,580	193
60	73.6	107,310	190
70	70.4	86,890	187
80	67.1	72,720	183
90	63.8	61,800	178
100	60.4	53,300	173
110	56.8	46,510	167
120	53.1	40,960	160
130	49.2	36,670	152
140	45.1	32,760	142
150	40.6	29,390	131
160	35.7	26,470	118
170	30.0	23,920	103
180	23.2	21,670	82
190	13.3	18,900 *	51

170' (51.8 m) Boom length			
Radius (Feet)	Boom Angle (Degrees)	360 Degree Rating (Pounds)	From Boom Pt. to Ground (Feet)
30	82.0	249,690 *	176
35	80.3	223,060 *	175
40	78.5	189,050	174
50	75.1	138,210	172
60	71.5	107,930	169
70	67.9	87,530	165
80	64.2	73,320	161
90	60.4	62,400	155
100	56.4	53,910	149
110	52.3	47,140	142
120	47.8	41,590	134
130	43.0	37,240	124
140	37.8	33,310	112
150	31.8	29,940	97
160	24.6	27,030	78
170	14.1	24,460	49

200' (61.0 m) Boom length			
Radius (Feet)	Boom Angle (Degrees)	360 Degree Rating (Pounds)	From Boom Pt. to Ground (Feet)
35	81.7	193,970 *	206
40	80.3	183,030 *	205
50	77.4	137,100	203
60	74.4	106,830	200
70	71.4	86,380	197
80	68.3	72,230	194
90	65.2	61,290	189
100	62.0	52,790	184
110	58.7	46,000	179
120	55.3	40,440	172
130	51.7	36,180	165
140	47.9	32,250	156
150	43.9	28,890	146
160	39.5	25,960	135
170	34.7	23,410	122
180	29.2	21,160	105
190	22.6	19,160	84
200	13.0	16,120 *	53

180' (54.9 m) Boom length			
Radius (Feet)	Boom Angle (Degrees)	360 Degree Rating (Pounds)	From Boom Pt. to Ground (Feet)
32	81.8	215,060 *	186
35	80.8	212,500 *	185
40	79.2	188,840	184
50	75.9	138,010	182
60	72.6	107,760	179
70	69.2	87,350	176
80	65.8	73,170	172
90	62.2	62,250	167
100	58.5	53,770	161
110	54.7	46,990	155
120	50.7	41,440	147
130	46.4	37,130	138
140	41.8	33,200	128
150	36.7	29,840	115
160	30.9	26,910	100
170	23.8	24,370	80
180	13.7	21,830 *	50

210' (64.0 m) Boom length			
Radius (Feet)	Boom Angle (Degrees)	360 Degree Rating (Pounds)	From Boom Pt. to Ground (Feet)
36	81.8	174,640 *	216
40	80.7	174,640 *	215
50	78.0	136,630	213
60	75.2	106,370	211
70	72.3	85,910	208
80	69.4	71,760	204
90	66.5	60,810	200
100	63.4	52,310	195
110	60.3	45,510	190
120	57.1	40,360	184
130	53.8	35,710	177
140	50.3	31,780	169
150	46.7	28,410	160
160	42.7	25,500	150
170	38.5	22,940	138
180	33.8	20,690	125
190	28.5	18,690	108
200	22.0	16,910	86
210	12.6	13,590 *	54





**195 klb + 64 klb CB** 

**360°**

**ANSI B 30.5  
DIN/ISO**

**220' (67.1 m) Boom length**

37	82.0	156,330 *	225
40	81.2	156,330 *	225
50	78.5	136,180	223
60	75.8	105,890	221
70	73.1	85,410	218
80	70.4	71,290	215
90	67.6	60,330	211
100	64.7	51,820	207
110	61.8	45,020	202
120	58.8	39,890	196
130	55.7	35,240	189
140	52.5	31,310	182
150	49.1	27,940	174
160	45.5	25,010	165
170	41.7	22,470	154
180	37.6	20,210	142
190	33.0	18,210	128
200	27.8	16,420	110
210	21.5	14,810	88
220	12.3	11,230 *	55

**230' (70.1 m) Boom length**

39	81.8	132,640 *	235
40	81.6	132,510 *	235
50	79.0	132,510 *	233
60	76.5	105,630	231
70	73.9	85,150	229
80	71.3	71,050	225
90	68.6	60,080	222
100	65.9	51,570	218
110	63.1	44,770	213
120	60.3	39,670	207
130	57.4	35,020	201
140	54.4	31,090	195
150	51.2	27,720	187
160	47.9	24,800	178
170	44.5	22,250	169
180	40.7	20,000	158
190	36.7	18,000	145
200	32.3	16,200	131
210	27.2	14,600	113
220	21.0	13,150	90
230	12.1	9,440 *	56

**240' (73.2 m) Boom length**

40	81.9	119,340 *	245
50	79.5	119,340 *	244
60	77.1	105,180	242
70	74.6	84,680	239
80	72.1	70,590	236
90	69.6	59,620	233
100	67.0	51,100	229
110	64.3	44,290	224
120	61.7	39,210	219
130	58.9	34,560	213
140	56.1	30,620	207
150	53.1	27,260	200
160	50.0	24,340	192
170	46.8	21,780	183
180	43.5	19,520	173
190	39.8	17,520	161
200	35.9	15,730	148
210	31.6	14,130	133
220	26.6	12,680	115
230	20.6	10,860 *	92
240	11.8	7,380 *	57

**250' (76.2 m) Boom length**

Radius (Feet)	Boom Angle (Degrees)	360 Degree Rating (Pounds)	From Boom Pt. to Ground (Feet)
42	81.8	117,270 *	255
50	79.9	117,270 *	254
60	77.6	104,710	252
70	75.2	84,180	249
80	72.8	70,100	247
90	70.4	59,120	243
100	67.9	50,590	239
110	65.4	43,770	235
120	62.9	38,720	230
130	60.3	34,060	225
140	57.6	30,130	219
150	54.8	26,750	212
160	52.0	23,830	205
170	49.0	21,270	196
180	45.8	19,010	187
190	42.5	17,020	177
200	39.0	15,220	165
210	35.2	13,610	152
220	30.9	12,160	136
230	26.1	10,830	117
240	20.1	8,560 *	94
250	11.5	5,360 *	58

**260' (79.2 m) Boom length**

43	81.9	107,130 *	265
50	80.3	107,130 *	264
60	78.1	104,250	262
70	75.8	83,700	260
80	73.5	69,630	257
90	71.2	58,640	254
100	68.8	50,110	250
110	66.4	43,280	246
120	64.0	38,240	241
130	61.5	33,590	236
140	59.0	29,650	230
150	56.4	26,270	224
160	53.7	23,350	217
170	50.9	20,790	209
180	48.0	18,530	201
190	44.9	16,530	191
200	41.7	14,740	180
210	38.2	13,120	168
220	34.5	11,670	155
230	30.3	10,340	139



## With 92HI Offset Tip Boom and 195,000 Pound Counterweight

195 klb + 64 klb CB 

360°

ANSI B 30.5  
DIN/ISO

### 270' (82.3 m) Boom length

Radius (Feet)	Boom Angle (Degrees)	360 Degree Rating (Pounds)	From Boom Pt. to Ground (Feet)
44	82.0	98,020 *	275
50	80.7	98,020 *	274
60	78.5	97,710 *	272
70	76.3	83,220	270
80	74.1	69,150	267
90	71.9	58,160	264
100	69.7	49,620	261
110	67.4	42,790	257
120	65.1	37,770	252
130	62.7	33,110	248
140	60.3	29,170	242
150	57.8	25,790	236
160	55.2	22,860	229
170	52.6	20,300	222
180	49.8	18,050	214
190	47.0	16,040	205
200	44.0	14,240	195
210	40.8	12,630	184
220	37.5	11,180	172
230	33.8	9,850	158

### 290' (88.4 m) Boom length

Radius (Feet)	Boom Angle (Degrees)	360 Degree Rating (Pounds)	From Boom Pt. to Ground (Feet)
47	81.9	76,270 *	295
50	81.3	75,930 *	294
60	79.3	75,260 *	293
70	77.3	73,930 *	291
80	75.3	68,390	288
90	73.2	57,390	285
100	71.1	48,840	282
110	69.0	42,000	278
120	66.9	37,040	274
130	64.7	32,370	270
140	62.5	28,420	265
150	60.2	25,040	259
160	57.9	22,120	253
170	55.6	19,550	247
180	53.1	17,290	240
190	50.6	15,290	232
200	48.0	13,490	223
210	45.3	11,880	214
220	42.4	10,410	203
230	39.3	9,090	191

### 280' (85.3 m) Boom length

46	81.8	84,470 *	285
50	81.0	84,270 *	284
60	78.9	83,540 *	282
70	76.8	82,110 *	280
80	74.7	68,850	278
90	72.6	57,860	275
100	70.4	49,310	271
110	68.2	42,480	268
120	66.0	37,490	263
130	63.7	32,830	259
140	61.4	28,900	254
150	59.1	25,510	248
160	56.6	22,580	242
170	54.1	20,030	235
180	51.6	17,770	227
190	48.9	15,760	219
200	46.1	13,970	209
210	43.2	12,350	199
220	40.1	10,900	188
230	36.7	9,580	175

### 300' (91.4 m) Boom length

49	81.8	74,730 *	305
50	81.6	74,730 *	304
60	79.7	73,910 *	303
70	77.7	72,390 *	301
80	75.8	67,920	298
90	73.8	56,900	296
100	71.8	48,330	293
110	69.7	41,490	289
120	67.7	36,540	285
130	65.6	31,870	281
140	63.5	27,920	276
150	61.3	24,540	271
160	59.1	21,610	265
170	56.9	19,040	259
180	54.5	16,780	252
190	52.2	14,780	245
200	49.7	12,980	236
210	47.1	11,360	227
220	44.4	9,900	218
230	41.6	8,570	207



## Notes to lifting capacity

### ⚠ Warning

This rating chart is invalid if the crane has been modified or altered by use of other than GENUINE AMERICAN PARTS as such modifications or alterations may affect its capacity or safe operation. See American Crane Corporation Service Bulletin #259.

Ratings in this chart are in POUNDS and do not exceed the percentage of tipping specified for this crane by ANSI B30.5. All ratings require that the crane be standing level on a firm uniformly supporting surface.

Do not lift loads in excess of those shown on this chart. Lifting loads in excess of those shown or operation not in accordance with good operating practice, including limitations shown on page 3499 of Operator's Manual, can cause tipping, structural damage or catastrophic failure. Asterisk (\*) areas on this chart indicate ratings that are limited by strength of material or factors other than stability (tipping).

„RADIUS IN FEET“ is the horizontal distance at ground level from the crane centerline of rotation to a vertical line through the center of gravity of the suspended load.

When using the main boom fall with jib in place, the main fall ratings must be reduced by the jib effective weight shown on the jib rating chart plus twice the weight of all suspended blocks, slings, rope, etc., at the jib fall. See Appendix A.

When using the main boom fall with boom tip extension in place, the main fall ratings must be reduced by the weight of the boom tip extension plus twice the weight of all suspended blocks, slings, rope, etc., at the boom tip extension fall. See Appendix A.

Blocks, slings, buckets and other load carrying devices are considered part of the load. The weight of standard hoisting ropes for the rating at a given radius has been calculated as part of the boom point load and need not be considered in determining net allowable loads. See Appendix A.

This chart was developed exclusively for use with a boom only. Under no circumstances are these ratings to be interpreted for use with a jib. Ratings shown on this chart make no allowance for such factors as out of plumb loads, wind, poor soil conditions, improper inflation of rubber tires and dynamic effects due to excessive operating speeds. The user (operator) must exercise judgment to make allowance for these conditions. See page 3499 of Operator's Manual for detailed information.

No account is taken of the wind force on the load. The user must consider this effect, which can be substantial for loads with large surface areas. In any wind it is strongly recommended that taglines be used to control the load.

BOOM HOIST LINE is 18 parts of 7/8 inch diameter 6 x 26, WS, FW, RAL, IWRC, EIPS wire rope with a minimum breaking strength of 79,600 pounds.

BOOM PENDANT SUSPENSION is 4 parts of 1-3/8 inch diameter EEIPS wire rope with a minimum breaking strength of 211,000 pounds.

MAIN LOAD LINE is 1-1/8 inch diameter 6 x 25, FW, RRL, IWRC, EEIPS wire rope with a minimum breaking strength of 143,000 pounds.

### ERECTION

Erection „BLOCKED OVER THE END“ is with the boom over the idler end with idler tumblers blocked (See operator's manual for blocking instructions). Erection „OVER THE SIDE“ is with the boom 90° to the side frames. Blocks, slings and other load carrying devices must be on the ground during erection.

92HI OFFSET TIP BOOM MAXIMUM BOOM & JIB SELF-ERECTION DATA				
	BOOM LENGTH (FEET)	JIB LENGTH		
		16HL JIB (FEET)	#30 JIB (FEET)	#40 JIB (FEET)
BLOCKED OVER THE END	300	50	0	0
	290	100	0	45
	280		65	75
	270		95	105
OVER THE SIDE	280	0	0	0
	270	70	0	0
	260	100	35	45
	250		65	75
	240		95	105

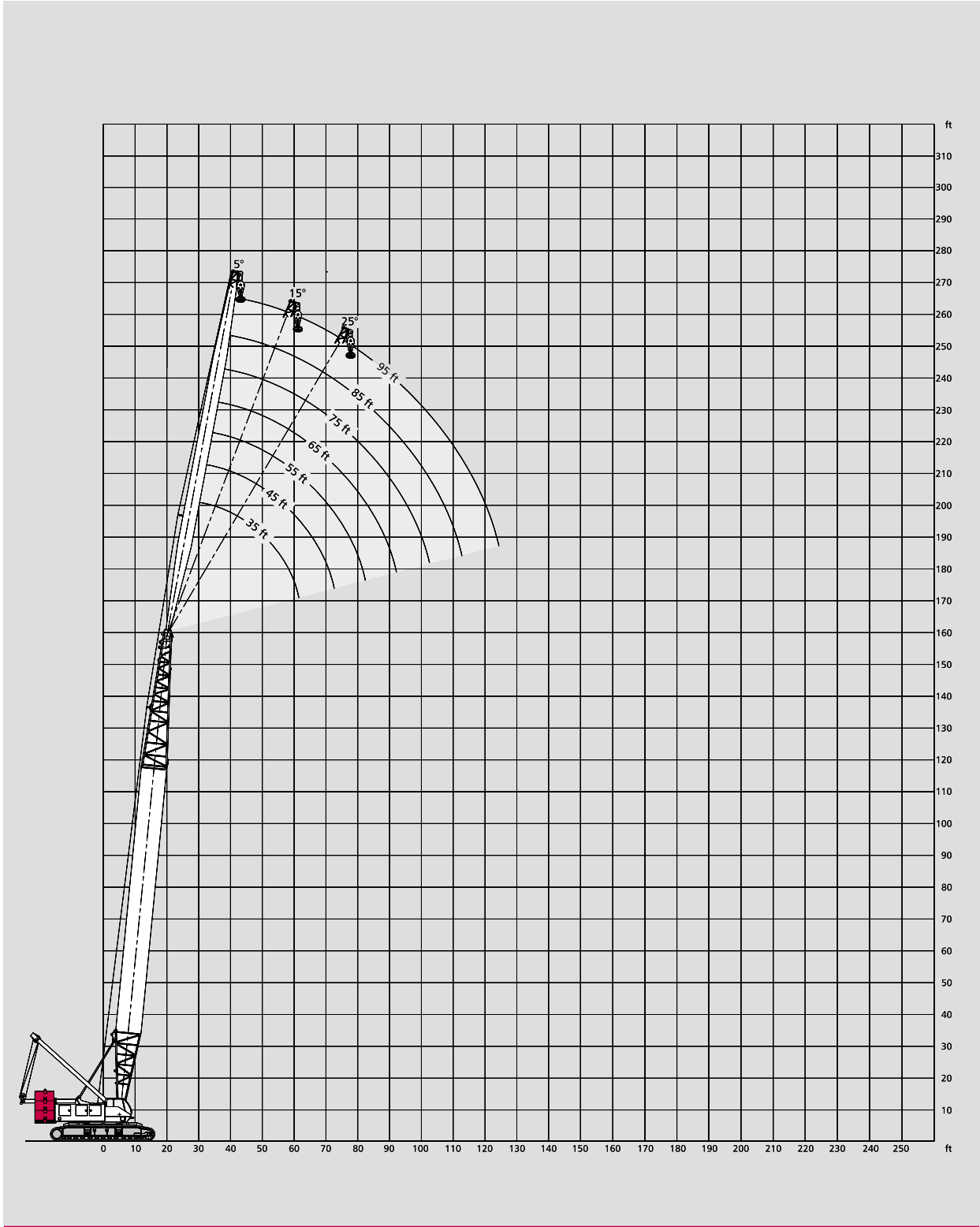
LOAD HOISTING INFORMATION - 1-1/8 inch diameter EEIPS wire rope			
MAXIMUM LIFTING CAPACITY - LBS.	MINIMUM PARTS OF LINE	MAXIMUM HOISTING DISTANCE - FEET	
		MAIN HOIST	AUX HOIST
550,000 <sup>1</sup>	14	90	90
490,280	12	105	105
449,420	11	110	110
409,570	10	130	130
367,710	9	145	145
326,850	8	160	160
286,000	7	185	185
245,140	6	215	215
204,280	5	260	260
163,420	4	325	325
122,570	3	435	435
81,710	2	655	655
40,850	1	1,310	1,310

<sup>1</sup> Lifting any load with 14 parts of main fall load line requires the use of the single sheave crossover hanger block. Refer to the HC 275 Operator's Manual for detailed information

BOOM LENGTH (FEET)	BOOM SECTIONS					
	25'	15'	20'	10'	50'	40'
	92HI INNER	92HT CENTER	92HT CENTER	92ST CENTER	92ST CENTER	92H OUTER
65 <sup>1</sup>	1	0	0	0	0	1
80	1	1	0	0	0	1
90	1	1	0	1	0	1
100	1	1	1	0	0	1
110	1	1	1	1	0	1
120	1	1	1	2	0	1
130	1	1	0	0	1	1
140	1	1	0	1	1	1
150	1	1	1	0	1	1
160	1	1	1	1	1	1
170	1	1	1	2	1	1
180	1	1	0	0	2	1
190	1	1	0	1	2	1
200	1	1	1	0	2	1
210	1	1	1	1	2	1
220	1	1	1	2	2	1
230	1	1	0	0	3	1
240	1	1	0	1	3	1
250	1	1	1	0	3	1
260	1	1	1	1	3	1
270	1	1	1	2	3	1
280	1	1	0	0	4	1
290	1	1	0	1	4	1
300	1	1	1	0	4	1



## Range Diagram, #30 Jib



# With 92HI Offset Tip Boom and 195,000 Pound Counterweight, #30 Jib

195 klb + 64 klb CB 

360°

ANSI B 30.5  
DIN/ISO

**35' (10.7 m) Jib length**

Boom length	Jib Radius (Feet)	5.0 Deg offset		15.0 Deg offset		25.0 Deg offset	
		Boom Angle	Rating (Pounds)	Boom Angle	Rating (Pounds)	Boom Angle	Rating (Pounds)
90' (27.4 m)	27	81.6	60,000*	-	-	-	-
	30	80.2	60,000*	-	-	-	-
	35	77.9	60,000*	80.6	60,000*	-	-
	40	75.6	60,000*	78.2	60,000*	80.7	60,000*
	50	70.9	60,000*	73.5	60,000*	75.9	54,780*
100' (30.5 m)	60	65.9	60,000*	68.5	60,000*	70.9	48,790*
	70	60.8	60,000*	63.4	57,480*	65.6	44,090*
	80	55.4	60,000*	57.9	51,220*	60.1	40,500*
	90	49.6	54,310*	52.1	46,420*	54.1	40,500*

100' (30.5 m)	28	81.8	60,000*	-	-	-	-
	30	81.0	60,000*	-	-	-	-
	35	78.8	60,000*	81.3	60,000*	-	-
	40	76.7	60,000*	79.1	60,000*	81.4	60,000*
	50	72.3	60,000*	74.7	60,000*	77.0	57,490*
110' (33.5 m)	60	67.8	60,000*	70.2	60,000*	72.4	51,390*
	70	63.2	60,000*	65.5	60,000*	67.7	46,570*
	80	58.3	60,000*	60.6	55,050*	62.7	42,660*
	90	53.2	57,900*	55.4	49,710*	57.4	40,590*
	100	47.6	52,440*	49.8	45,540*	51.7	40,470*

110' (33.5 m)	29	82.0	60,000*	-	-	-	-
	30	81.6	60,000*	-	-	-	-
	35	79.6	60,000*	81.9	60,000*	-	-
	40	77.6	60,000*	79.9	60,000*	-	-
	50	73.6	60,000*	75.8	60,000*	77.9	59,740*
120' (36.6 m)	60	69.4	60,000*	71.7	60,000*	73.7	53,610*
	70	65.1	60,000*	67.4	60,000*	69.4	48,670*
	80	60.7	60,000*	62.9	57,340*	64.8	44,800*
	90	56.1	60,000*	58.2	52,700*	60.1	41,640*
	100	51.2	55,730*	53.3	48,500*	55.0	40,580*
110	45.8	50,180	47.9	44,930*	49.5	40,570*	

120' (36.6 m)	31	81.7	60,000*	-	-	-	-
	35	80.3	60,000*	-	-	-	-
	40	78.4	60,000*	80.5	60,000*	-	-
	50	74.6	60,000*	76.8	60,000*	78.7	59,980*
	60	70.8	60,000*	72.9	60,000*	74.8	55,680*
130' (39.6 m)	70	66.8	60,000*	68.9	60,000*	70.8	50,810*
	80	62.8	60,000*	64.8	59,790*	66.7	46,830*
	90	58.5	60,000*	60.6	54,840*	62.3	43,490*
	100	54.1	56,360	56.1	50,840*	57.8	40,660*
	110	49.3	49,620	51.3	47,470*	52.9	40,440*
120	44.2	44,120	46.1	44,120	47.6	40,440*	

130' (39.6 m)	32	81.9	60,000*	-	-	-	-
	35	80.9	60,000*	-	-	-	-
	40	79.1	60,000*	81.1	60,000*	-	-
	50	75.6	60,000*	77.6	60,000*	79.4	59,930*
	60	72.0	60,000*	74.0	60,000*	75.8	57,570*
140' (42.7 m)	70	68.3	60,000*	70.3	60,000*	72.1	52,530*
	80	64.5	60,000*	66.5	60,000*	68.2	48,500*
	90	60.6	60,000*	62.5	56,870*	64.2	45,100*
	100	56.6	56,170	58.4	52,750*	60.1	42,420*
	110	52.3	49,430	54.1	49,430*	55.7	40,540*
120	47.7	43,920	49.5	43,920	51.0	40,510*	
130	42.8	39,590	44.5	39,590	45.9	39,600	

Boom length	Jib Radius (Feet)	5.0 Deg offset		15.0 Deg offset		25.0 Deg offset	
		Boom Angle	Rating (Pounds)	Boom Angle	Rating (Pounds)	Boom Angle	Rating (Pounds)
140' (42.7 m)	34	81.7	60,000*	-	-	-	-
	35	81.4	60,000*	-	-	-	-
	40	79.7	60,000*	81.6	60,000*	-	-
	50	76.4	60,000*	78.3	60,000*	80.1	59,880*
	60	73.0	60,000*	74.9	60,000*	76.6	59,120*
150' (45.7 m)	70	69.6	60,000*	71.5	60,000*	73.2	54,310*
	80	66.1	60,000*	67.9	60,000*	69.6	50,140*
	90	62.5	60,000*	64.3	58,990*	65.9	46,770*
	100	58.7	55,630	60.5	54,650*	62.1	43,920*
	110	54.8	48,890	56.5	48,890	58.0	41,540*
160' (48.8 m)	120	50.6	43,380	52.4	43,380	53.8	40,500*
	130	46.2	39,080	47.9	39,080	49.3	39,090
	140	41.5	35,180	43.1	35,190	44.4	35,190

150' (45.7 m)	35	81.8	60,000*	-	-	-	-
	40	80.3	60,000*	-	-	-	-
	50	77.2	60,000*	78.9	60,000*	80.6	59,830*
	60	74.0	60,000*	75.8	60,000*	77.4	59,830*
	70	70.7	60,000*	72.5	60,000*	74.1	55,810*
160' (48.8 m)	80	67.4	60,000*	69.2	60,000*	70.8	51,710*
	90	64.1	60,000*	65.8	60,000*	67.3	48,280*
	100	60.6	55,040	62.3	55,050	63.8	45,280*
	110	56.9	48,290	58.6	48,300	60.1	42,810*
	120	53.2	42,780	54.8	42,780	56.2	40,680*
170' (51.8 m)	130	49.2	38,500	50.8	38,510	52.1	38,510
	140	44.9	34,610	46.5	34,610	47.7	34,620
	150	40.3	31,270	41.8	31,280	43.0	31,280

160' (48.8 m)	36	82.0	60,000*	-	-	-	-
	40	80.8	60,000*	-	-	-	-
	50	77.8	60,000*	79.5	60,000*	81.1	59,790*
	60	74.8	60,000*	76.5	60,000*	78.1	59,790*
	70	71.8	60,000*	73.4	60,000*	75.0	57,170*
170' (51.8 m)	80	68.7	60,000*	70.3	60,000*	71.8	53,180*
	90	65.5	60,000*	67.1	60,000*	68.6	49,740*
	100	62.2	54,500	63.8	54,500	65.3	46,770*
	110	58.8	47,750	60.4	47,750	61.8	44,080*
	120	55.3	42,230	56.9	42,230	58.3	42,020*
180' (54.9 m)	130	51.7	37,980	53.2	37,990	54.5	37,990
	140	47.8	34,080	49.3	34,090	50.6	34,090
	150	43.7	30,740	45.1	30,740	46.3	30,750
	160	39.2	27,850	40.6	27,850	41.7	27,860

170' (51.8 m)	38	81.8	60,000*	-	-	-	-
	40	81.2	60,000*	-	-	-	-
	50	78.4	60,000*	80.0	60,000*	81.6	59,740*
	60	75.6	60,000*	77.2	60,000*	78.7	59,740*
	70	72.7	60,000*	74.3	60,000*	75.7	58,720*
180' (54.9 m)	80	69.7	60,000*	71.3	60,000*	72.8	54,390*
	90	66.7	60,000*	68.3	60,000*	69.7	50,960*
	100	63.7	53,950	65.2	53,960	66.6	48,100*
	110	60.5	47,190	62.0	47,200	63.4	45,420*
	120	57.2	41,670	58.8	41,670	60.1	41,680
190' (57.9 m)	130	53.8	37,450	55.3	37,460	56.6	37,460
	140	50.3	33,540	51.8	33,550	53.0	33,550
	150	46.5	30,200	48.0	30,210	49.1	30,210
	160	42.5	27,310	43.9	27,310	45.0	27,320
	170	38.2	24,780	39.5	24,780	40.5	24,790

**3**

HC 275

**13**



## With 92HI Offset Tip Boom and 195,000 Pound Counterweight, #30 Jib

195 klb + 64 klb CB



360°

ANSI B 30.5  
DIN/ISO

**35' (10.7 m) Jib length**

Boom length	Jib Radius (Feet)	5.0 Deg offset		15.0 Deg offset		25.0 Deg offset		Boom length	Jib Radius (Feet)	5.0 Deg offset		15.0 Deg offset		25.0 Deg offset		
		Boom Angle	Rating (Pounds)	Boom Angle	Rating (Pounds)	Boom Angle	Rating (Pounds)			Boom Angle	Rating (Pounds)	Boom Angle	Rating (Pounds)	Boom Angle	Rating (Pounds)	
180' (54.9 m)	39	81.9	60,000*	-	-	-	-	210' (64.0 m)	43	82.0	60,000*	-	-	-	-	
	40	81.6	60,000*	-	-	-	-		50	80.3	60,000*	81.7	60,000*	-	-	
	50	79.0	60,000*	80.5	60,000*	82.0	59,690*		60	78.0	60,000*	79.3	60,000*	80.6	59,560*	
	60	76.2	60,000*	77.8	60,000*	79.2	59,690*		70	75.6	60,000*	76.9	60,000*	78.2	59,560*	
	70	73.5	60,000*	75.0	60,000*	76.4	59,690*		80	73.1	60,000*	74.5	60,000*	75.7	59,040*	
	80	70.7	60,000*	72.2	60,000*	73.6	55,740*		90	70.7	60,000*	72.0	60,000*	73.2	55,630*	
	90	67.9	60,000*	69.4	60,000*	70.7	52,200*		100	68.2	52,040	69.5	52,040	70.7	52,050	
	100	65.0	53,670	66.5	53,680	67.8	49,170*		110	65.7	45,270	67.0	45,270	68.1	45,280	
	110	62.0	46,910	63.5	46,910	64.8	46,550*		220' (67.1 m)	120	63.1	40,240	64.4	40,240	65.5	40,250
	120	58.9	41,380	60.4	41,390	61.7	41,400			130	60.4	35,620	61.7	35,620	62.8	35,630
130	55.8	37,200	57.2	37,200	58.4	37,200	140	57.7		31,710	59.0	31,710	60.1	31,710		
140	52.5	33,290	53.9	33,300	55.1	33,300	150	54.9		28,360	56.1	28,360	57.2	28,370		
150	49.0	29,950	50.4	29,960	51.5	29,960	160	52.0		25,460	53.2	25,460	54.2	25,470		
160	45.4	27,050	46.7	27,060	47.8	27,060	170	48.9		22,920	50.1	22,920	51.1	22,930		
170	41.5	24,520	42.8	24,520	43.8	24,530	180	45.7		20,680	46.9	20,690	47.9	20,690		
180	37.2	22,290	38.5	22,290	39.4	22,300	190	42.3		18,700	43.5	18,700	44.4	18,710		
200	38.7	16,920	39.8	16,920	40.7	16,930	210	38.7		16,920	39.8	16,920	40.7	16,930		
210	34.8	15,330	35.8	15,330	36.6	15,340	220	34.8		15,330	35.8	15,330	36.6	15,340		
190' (57.9 m)	41	81.8	60,000*	-	-	-	-	230' (70.1 m)	45	81.8	60,000*	-	-	-	-	
	50	79.5	60,000*	80.9	60,000*	-	-		50	80.7	60,000*	-	-	-	-	
	60	76.9	60,000*	78.3	60,000*	79.7	59,650*		60	78.4	60,000*	79.7	60,000*	80.9	59,510*	
	70	74.3	60,000*	75.7	60,000*	77.1	59,650*		70	76.1	60,000*	77.4	60,000*	78.6	59,510*	
	80	71.6	60,000*	73.0	60,000*	74.4	56,860*		80	73.8	60,000*	75.1	60,000*	76.3	59,510*	
	90	68.9	60,000*	70.3	60,000*	71.6	53,380*		90	71.5	59,980	72.8	59,980	73.9	56,550*	
	100	66.2	53,140	67.6	53,140	68.9	50,340*		100	69.1	51,510	70.4	51,510	71.5	51,520	
	110	63.3	46,380	64.8	46,390	66.0	46,400		110	66.7	44,730	67.9	44,730	69.1	44,740	
	120	60.5	40,850	61.9	40,850	63.1	40,860		120	64.2	39,720	65.5	39,720	66.6	39,730	
	130	57.5	36,690	58.9	36,690	60.1	36,690		130	61.7	35,090	62.9	35,100	64.0	35,100	
140	54.4	32,780	55.8	32,790	56.9	32,790	140	59.1	31,180	60.3	31,180	61.4	31,190			
150	51.2	29,440	52.5	29,440	53.7	29,450	150	56.5	27,830	57.7	27,840	58.7	27,840			
160	47.8	26,540	49.2	26,540	50.2	26,550	160	53.7	24,930	54.9	24,930	55.9	24,940			
170	44.3	24,010	45.6	24,010	46.6	24,010	170	50.9	22,390	52.0	22,390	53.0	22,400			
180	40.5	21,770	41.7	21,780	42.7	21,780	180	47.9	20,150	49.0	20,150	50.0	20,160			
190	36.3	19,790	37.5	19,800	38.4	19,800	190	44.8	18,160	45.9	18,170	46.8	18,170			
200' (61.0 m)	42	81.9	60,000*	-	-	-	-	200	41.5	16,390	42.6	16,390	43.4	16,400		
	50	79.9	60,000*	81.3	60,000*	-	-	210	37.9	14,790	39.0	14,790	39.7	14,800		
	60	77.4	60,000*	78.8	60,000*	80.2	59,610*	220	34.0	13,350	35.1	13,350	35.7	13,360		
	70	74.9	60,000*	76.3	60,000*	77.6	59,610*	230' (70.1 m)	46	81.9	60,000*	-	-	-	-	
	80	72.4	60,000*	73.8	60,000*	75.1	58,090*		50	81.1	60,000*	-	-	-	-	
	90	69.8	60,000*	71.2	60,000*	72.5	54,450*		60	78.9	60,000*	80.1	60,000*	81.3	59,460*	
	100	67.2	52,580	68.6	52,580	69.8	51,420*		70	76.7	60,000*	77.9	60,000*	79.1	59,460*	
	110	64.6	45,810	65.9	45,820	67.1	45,820		80	74.4	60,000*	75.7	60,000*	76.8	59,460*	
	120	61.8	40,280	63.2	40,280	64.4	40,290		90	72.2	59,650	73.4	59,660	74.6	57,630*	
	130	59.0	36,140	60.4	36,140	61.5	36,150		100	69.9	51,170	71.1	51,170	72.2	51,180	
140	56.1	32,230	57.5	32,240	58.6	32,240	110		67.6	44,400	68.8	44,400	69.9	44,410		
150	53.1	28,880	54.4	28,880	55.5	28,890	120		65.3	39,410	66.5	39,410	67.5	39,410		
160	50.0	25,980	51.3	25,980	52.3	25,990	130		62.9	34,790	64.0	34,790	65.1	34,800		
170	46.8	23,440	48.0	23,450	49.0	23,450	140	60.4	30,870	61.6	30,870	62.6	30,880			
180	43.3	21,210	44.5	21,210	45.4	21,220	150	57.9	27,530	59.0	27,530	60.0	27,530			
190	39.6	19,220	40.8	19,230	41.6	19,230	160	55.3	24,620	56.4	24,620	57.4	24,630			
200	35.5	17,460	36.7	17,460	37.4	17,470	170	52.6	22,080	53.7	22,080	54.7	22,090			
								180	49.8	19,850	50.9	19,850	51.9	19,860		
								190	46.9	17,860	48.0	17,860	48.9	17,870		
								200	43.9	16,080	44.9	16,090	45.8	16,090		
								210	40.6	14,480	41.7	14,480	42.5	14,490		
								220	37.1	13,040	38.2	13,040	38.9	13,050		
								230	33.4	11,730	34.3	11,740	35.0	11,750		



**195 klb + 64 klb CB**

**360°**

**ANSI B 30.5  
DIN/ISO**

**35' (10.7 m) Jib length**

Boom length	Jib Radius (Feet)	5.0 Deg offset		15.0 Deg offset		25.0 Deg offset	
		Boom Angle	Rating (Pounds)	Boom Angle	Rating (Pounds)	Boom Angle	Rating (Pounds)
	48	81.8	60,000*	-	-	-	-
	50	81.4	60,000*	-	-	-	-
	60	79.3	60,000*	80.5	60,000*	81.6	59,410*
	70	77.2	60,000*	78.4	60,000*	79.5	59,410*
	80	75.0	60,000*	76.2	60,000*	77.3	59,410*
	90	72.9	59,140	74.0	59,150	75.1	58,430*
	100	70.7	50,650	71.9	50,650	72.9	50,660
	110	68.5	43,870	69.6	43,870	70.7	43,880
	120	66.2	38,910	67.4	38,910	68.4	38,920
	130	63.9	34,280	65.1	34,280	66.1	34,290
	140	61.6	30,360	62.7	30,370	63.7	30,370
<b>240' (73.2 m)</b>	150	59.2	27,020	60.3	27,020	61.3	27,030
	160	56.7	24,110	57.8	24,120	58.8	24,120
	170	54.2	21,570	55.3	21,570	56.2	21,580
	180	51.6	19,330	52.7	19,330	53.6	19,340
	190	48.8	17,340	49.9	17,340	50.8	17,350
	200	46.0	15,560	47.1	15,560	47.9	15,570
	210	43.0	13,960	44.1	13,970	44.8	13,970
	220	39.8	12,520	40.9	12,520	41.6	12,530
	230	36.4	11,210	37.4	11,220	38.1	11,220
	240	32.7	10,020	33.7	10,020	34.3	10,030

Boom length	Jib Radius (Feet)	5.0 Deg offset		15.0 Deg offset		25.0 Deg offset	
		Boom Angle	Rating (Pounds)	Boom Angle	Rating (Pounds)	Boom Angle	Rating (Pounds)
	50	82.0	60,000*	-	-	-	-
	60	80.0	60,000*	81.1	60,000*	-	-
	70	78.0	60,000*	79.2	60,000*	80.2	55,290*
	80	76.1	60,000*	77.2	59,240*	78.2	53,860*
	90	74.1	58,070	75.2	56,620*	76.2	52,050*
	100	72.0	49,580	73.1	49,580	74.1	49,590
	110	70.0	42,780	71.1	42,790	72.1	42,800
	120	67.9	37,870	69.0	37,870	70.0	37,880
	130	65.8	33,230	66.9	33,230	67.8	33,240
	140	63.7	29,310	64.7	29,310	65.7	29,320
	150	61.5	25,950	62.5	25,960	63.5	25,960
<b>260' (79.2 m)</b>	160	59.2	23,050	60.3	23,050	61.2	23,050
	170	56.9	20,500	58.0	20,500	58.9	20,510
	180	54.6	18,260	55.6	18,260	56.5	18,270
	190	52.2	16,270	53.2	16,270	54.0	16,270
	200	49.7	14,490	50.7	14,490	51.5	14,490
	210	47.0	12,880	48.0	12,880	48.8	12,890
	220	44.3	11,430	45.3	11,430	46.0	11,440
	230	41.4	10,120	42.4	10,120	43.1	10,130
	240	38.4	8,930	39.3	8,930	40.0	8,940
	250	35.1	7,840	36.0	7,840	36.6	7,850
	260	31.5	6,830	32.4	6,840	32.9	6,850

	49	81.9	60,000*	-	-	-	-
	50	81.7	60,000*	-	-	-	-
	60	79.7	60,000*	80.8	60,000*	81.9	59,370*
	70	77.6	60,000*	78.8	60,000*	79.9	59,370*
	80	75.6	60,000*	76.7	60,000*	77.8	59,370*
	90	73.5	58,590	74.6	58,600	75.7	58,610
	100	71.4	50,110	72.5	50,110	73.6	50,120
	110	69.2	43,320	70.4	43,320	71.4	43,330
	120	67.1	38,370	68.2	38,380	69.2	38,380
	130	64.9	33,750	66.0	33,750	67.0	33,750
	140	62.7	29,830	63.8	29,830	64.7	29,830
<b>250' (76.2 m)</b>	150	60.4	26,470	61.5	26,470	62.4	26,480
	160	58.0	23,560	59.1	23,570	60.0	23,570
	170	55.6	21,020	56.7	21,020	57.6	21,030
	180	53.1	18,780	54.2	18,780	55.1	18,790
	190	50.6	16,790	51.6	16,790	52.5	16,800
	200	47.9	15,010	49.0	15,010	49.8	15,020
	210	45.1	13,410	46.2	13,410	46.9	13,420
	220	42.2	11,970	43.2	11,970	44.0	11,980
	230	39.1	10,650	40.1	10,660	40.8	10,660
	240	35.8	9,450	36.7	9,460	37.3	9,470
	250	32.1	8,370	33.0	8,370	33.6	8,380

	52	81.8	60,000*	-	-	-	-
	60	80.3	60,000*	81.4	57,380*	-	-
	70	78.4	60,000*	79.5	54,860*	80.5	49,420*
	80	76.5	57,190*	77.6	52,360*	78.6	47,740*
	90	74.6	54,310*	75.7	50,160*	76.7	46,120*
	100	72.6	49,050	73.7	47,880*	74.7	44,480*
	110	70.7	42,250	71.7	42,250	72.7	42,260
	120	68.7	37,350	69.7	37,360	70.7	37,360
	130	66.6	32,710	67.7	32,720	68.6	32,720
	140	64.6	28,790	65.6	28,800	66.5	28,800
	150	62.5	25,430	63.5	25,430	64.4	25,430
<b>270' (82.3 m)</b>	160	60.3	22,520	61.4	22,520	62.3	22,530
	170	58.2	19,970	59.2	19,980	60.0	19,980
	180	55.9	17,730	56.9	17,730	57.8	17,740
	190	53.6	15,740	54.6	15,740	55.4	15,750
	200	51.2	13,960	52.2	13,960	53.0	13,960
	210	48.8	12,350	49.7	12,350	50.5	12,350
	220	46.2	10,900	47.2	10,900	47.9	10,910
	230	43.5	9,590	44.5	9,590	45.2	9,600
	240	40.7	8,390	41.6	8,390	42.3	8,400
	250	37.7	7,300	38.6	7,300	39.3	7,310
	260	34.5	6,290	35.4	6,290	35.9	6,300
	270	31.0	5,260*	31.8	5,370	32.3	5,380



HC 275

**15**

## With 92HI Offset Tip Boom and 195,000 Pound Counterweight, #30 Jib

195 klb + 64 klb CB 

360°

ANSI B 30.5  
DIN/ISO

**45' (13.7 m) Jib length**

Boom length	Jib Radius (Feet)	5.0 Deg offset		15.0 Deg offset		25.0 Deg offset	
		Boom Angle	Rating (Pounds)	Boom Angle	Rating (Pounds)	Boom Angle	Rating (Pounds)
	33	81.9	60,000*	-	-	-	-
	35	81.2	60,000*	-	-	-	-
	40	79.4	60,000*	-	-	-	-
	50	75.9	60,000*	78.5	60,000*	80.9	46,910*
<b>120' (36.6 m)</b>	60	72.3	60,000*	74.8	60,000*	77.2	44,510*
	70	68.6	60,000*	71.1	55,020*	73.5	40,630*
	80	64.8	60,000*	67.3	49,340*	69.6	40,350*
	90	60.9	55,330*	63.4	44,790*	65.6	39,130*
	100	56.9	50,040*	59.3	41,060*	61.5	36,220*
110	52.6	45,790*	55.0	40,210*	57.1	33,990*	
120	48.0	42,120*	50.4	37,680*	52.3	32,040*	

	34	82.0	60,000*	-	-	-	-
	35	81.7	60,000*	-	-	-	-
	40	80.0	60,000*	-	-	-	-
	50	76.7	60,000*	79.1	60,000*	81.4	46,860*
<b>130' (39.6 m)</b>	60	73.3	60,000*	75.7	60,000*	78.0	45,890*
	70	69.9	60,000*	72.3	57,350*	74.5	41,970*
	80	66.4	60,000*	68.7	51,500*	70.9	40,450*
	90	62.7	58,140*	65.1	46,780*	67.2	40,380*
	100	59.0	52,630*	61.3	42,900*	63.4	37,690*
110	55.1	48,180*	57.3	40,450*	59.3	35,290*	
120	50.9	44,190	53.2	39,230*	55.1	33,380*	
130	46.5	39,890	48.7	36,970*	50.5	31,670*	

	36	81.8	60,000*	-	-	-	-
	40	80.6	60,000*	-	-	-	-
	50	77.4	60,000*	79.7	60,000*	81.9	46,810*
	60	74.2	60,000*	76.5	60,000*	78.7	46,810*
<b>140' (42.7 m)</b>	70	71.0	60,000*	73.3	58,830*	75.4	43,110*
	80	67.7	60,000*	70.0	53,760*	72.0	40,370*
	90	64.3	60,000*	66.6	48,740*	68.6	40,370*
	100	60.8	55,100*	63.0	44,870*	65.0	39,110*
	110	57.2	49,140	59.4	41,530*	61.3	36,730*
120	53.4	43,630	55.6	40,450*	57.4	34,610*	
130	49.4	39,360	51.5	38,330*	53.3	32,820*	
140	45.2	35,470	47.2	35,470	48.9	31,400*	

	37	81.9	60,000*	-	-	-	-
	40	81.0	60,000*	-	-	-	-
	50	78.1	60,000*	80.3	60,000*	-	-
	60	75.1	60,000*	77.2	60,000*	79.3	46,780*
<b>150' (45.7 m)</b>	70	72.0	60,000*	74.2	60,000*	76.2	44,210*
	80	68.9	60,000*	71.0	55,400*	73.0	40,860*
	90	65.7	60,000*	67.8	50,630*	69.8	40,410*
	100	62.5	55,300	64.6	46,580*	66.4	40,350*
	110	59.1	48,550	61.2	43,130*	63.0	37,990*
120	55.6	43,040	57.6	40,360*	59.4	35,890*	
130	51.9	38,790	53.9	38,800	55.6	33,940*	
140	48.0	34,890	50.0	34,900	51.7	32,410*	
150	43.9	31,560	45.8	31,560	47.4	31,130*	

Boom length	Jib Radius (Feet)	5.0 Deg offset		15.0 Deg offset		25.0 Deg offset	
		Boom Angle	Rating (Pounds)	Boom Angle	Rating (Pounds)	Boom Angle	Rating (Pounds)
	39	81.8	60,000*	-	-	-	-
	40	81.5	60,000*	-	-	-	-
	50	78.7	60,000*	80.7	60,000*	-	-
	60	75.8	60,000*	77.9	60,000*	79.8	46,730*
<b>160' (48.8 m)</b>	70	72.9	60,000*	75.0	60,000*	76.9	45,130*
	80	70.0	60,000*	72.0	56,820*	73.9	41,960*
	90	67.0	60,000*	69.0	52,310*	70.8	40,390*
	100	63.9	54,750	65.9	48,260*	67.7	40,390*
	110	60.7	48,000	62.7	44,840*	64.5	39,200*
120	57.5	42,470	59.4	41,820*	61.2	36,990*	
130	54.1	38,260	56.0	38,270	57.7	35,120*	
140	50.5	34,360	52.4	34,370	54.0	33,430*	
150	46.8	31,010	48.6	31,020	50.2	31,020	
160	42.8	28,120	44.6	28,120	46.0	28,130	

	40	81.9	60,000*	-	-	-	-
	50	79.2	60,000*	81.2	60,000*	-	-
	60	76.5	60,000*	78.5	60,000*	80.3	46,680*
	70	73.7	60,000*	75.7	60,000*	77.5	46,060*
<b>170' (51.8 m)</b>	80	70.9	60,000*	72.9	58,190*	74.7	42,830*
	90	68.1	60,000*	70.0	53,790*	71.8	40,130*
	100	65.2	54,200	67.1	50,020*	68.9	40,130*
	110	62.2	47,440	64.1	46,330*	65.8	40,130*
	120	59.2	41,910	61.0	41,920	62.7	38,080*
130	56.0	37,730	57.9	37,730	59.5	36,220*	
140	52.7	33,820	54.5	33,830	56.1	33,830	
150	49.3	30,480	51.1	30,490	52.5	30,490	
160	45.6	27,580	47.4	27,590	48.8	27,600	
170	41.7	25,050	43.4	25,050	44.7	25,060	

	41	82.0	60,000*	-	-	-	-
	50	79.7	60,000*	81.6	60,000*	-	-
	60	77.1	60,000*	79.0	60,000*	80.8	46,630*
	70	74.5	60,000*	76.4	60,000*	78.1	46,630*
<b>180' (54.9 m)</b>	80	71.8	60,000*	73.7	59,400*	75.4	43,800*
	90	69.1	60,000*	71.0	54,990*	72.7	41,060*
	100	66.4	53,900	68.2	51,240*	69.9	40,250*
	110	63.6	47,140	65.4	47,150	67.0	40,250*
	120	60.7	41,620	62.5	41,630	64.1	39,120*
130	57.7	37,460	59.5	37,460	61.0	37,130*	
140	54.6	33,550	56.4	33,560	57.9	33,560	
150	51.4	30,210	53.2	30,210	54.6	30,220	
160	48.1	27,310	49.8	27,320	51.2	27,320	
170	44.5	24,790	46.2	24,790	47.5	24,800	
180	40.7	22,550	42.3	22,560	43.6	22,560	

	43	81.8	60,000*	-	-	-	-
	50	80.1	60,000*	81.9	60,000*	-	-
	60	77.6	60,000*	79.5	60,000*	81.2	46,580*
	70	75.1	60,000*	77.0	60,000*	78.6	46,580*
<b>190' (57.9 m)</b>	80	72.6	60,000*	74.4	60,000*	76.1	44,560*
	90	70.0	60,000*	71.8	56,360*	73.5	41,830*
	100	67.4	53,370	69.2	52,600*	70.8	40,230*
	110	64.8	46,600	66.5	46,610	68.1	40,230*
	120	62.0	41,080	63.8	41,080	65.3	40,020*
130	59.2	36,940	61.0	36,940	62.5	36,950	
140	56.4	33,030	58.0	33,040	59.5	33,040	
150	53.4	29,690	55.0	29,690	56.5	29,700	
160	50.2	26,790	51.9	26,790	53.3	26,800	
170	47.0	24,260	48.6	24,270	49.9	24,270	
180	43.5	22,030	45.1	22,030	46.3	22,040	
190	39.8	20,040	41.3	20,050	42.5	20,060	





**195 klb + 64 klb CB**

**360°**

**ANSI B 30.5  
DIN/ISO**

**45' (13.7 m) Jib length**

Boom length	Jib Radius (Feet)	5.0 Deg offset		15.0 Deg offset		25.0 Deg offset	
		Boom Angle	Rating (Pounds)	Boom Angle	Rating (Pounds)	Boom Angle	Rating (Pounds)
	44	81.9	60,000*	-	-	-	-
	50	80.5	60,000*	-	-	-	-
	60	78.2	60,000*	79.9	60,000*	81.5	46,540*
	70	75.8	60,000*	77.5	60,000*	79.1	46,540*
	80	73.3	60,000*	75.1	60,000*	76.7	45,340*
	90	70.9	60,000*	72.6	57,410*	74.2	42,660*
	100	68.4	52,810	70.1	52,810	71.6	40,320*
	110	65.9	46,030	67.6	46,030	69.1	40,200*
<b>200' (61.0 m)</b>	120	63.3	40,500	64.9	40,510	66.4	40,200*
	130	60.6	36,390	62.3	36,390	63.7	36,400
	140	57.9	32,480	59.5	32,480	61.0	32,490
	150	55.1	29,130	56.7	29,140	58.1	29,140
	160	52.2	26,230	53.8	26,230	55.1	26,240
	170	49.1	23,700	50.7	23,700	52.0	23,710
	180	45.9	21,460	47.5	21,470	48.7	21,470
	190	42.5	19,480	44.0	19,480	45.2	19,490
	200	38.9	17,710	40.4	17,710	41.5	17,720

	46	81.8	60,000*	-	-	-	-
	50	80.9	60,000*	-	-	-	-
	60	78.6	60,000*	80.3	60,000*	81.9	46,490*
	70	76.3	60,000*	78.0	60,000*	79.6	46,490*
	80	74.0	60,000*	75.7	60,000*	77.2	46,060*
	90	71.7	60,000*	73.3	58,610*	74.8	43,360*
	100	69.3	52,270	70.9	52,270	72.4	40,960*
	110	66.9	45,490	68.5	45,490	70.0	40,300*
<b>210' (64.0 m)</b>	120	64.4	39,950	66.0	39,960	67.5	40,220*
	130	61.9	35,860	63.5	35,870	64.9	35,870
	140	59.3	31,960	60.9	31,960	62.3	31,970
	150	56.6	28,600	58.2	28,610	59.6	28,610
	160	53.9	25,700	55.4	25,700	56.8	25,710
	170	51.1	23,170	52.6	23,170	53.8	23,180
	180	48.1	20,930	49.6	20,930	50.8	20,940
	190	45.0	18,940	46.4	18,950	47.6	18,950
	200	41.6	17,170	43.1	17,170	44.2	17,180
	210	38.1	15,580	39.5	15,580	40.5	15,590

	47	81.9	60,000*	-	-	-	-
	50	81.2	60,000*	-	-	-	-
	60	79.1	60,000*	80.7	60,000*	-	-
	70	76.9	60,000*	78.5	60,000*	80.0	46,450*
	80	74.6	60,000*	76.2	60,000*	77.7	46,450*
	90	72.4	60,000*	74.0	59,670*	75.4	44,170*
	100	70.1	51,730	71.7	51,730	73.1	41,710*
	110	67.8	44,950	69.4	44,950	70.8	40,180*
<b>220' (67.1 m)</b>	120	65.4	39,970	67.0	39,970	68.4	39,980
	130	63.0	35,340	64.6	35,340	65.9	35,350
	140	60.6	31,430	62.1	31,430	63.4	31,440
	150	58.1	28,080	59.6	28,080	60.9	28,080
	160	55.5	25,170	57.0	25,170	58.2	25,180
	170	52.8	22,630	54.3	22,630	55.5	22,640
	180	50.0	20,400	51.5	20,400	52.7	20,410
	190	47.1	18,410	48.5	18,410	49.7	18,420
	200	44.0	16,630	45.5	16,640	46.6	16,650
	210	40.8	15,030	42.2	15,030	43.2	15,040
	220	37.3	13,590	38.7	13,590	39.6	13,600

Boom length	Jib Radius (Feet)	5.0 Deg offset		15.0 Deg offset		25.0 Deg offset	
		Boom Angle	Rating (Pounds)	Boom Angle	Rating (Pounds)	Boom Angle	Rating (Pounds)
	48	82.0	60,000*	-	-	-	-
	50	81.6	60,000*	-	-	-	-
	60	79.5	60,000*	81.0	60,000*	-	-
	70	77.3	60,000*	78.9	60,000*	80.3	46,400*
	80	75.2	60,000*	76.7	60,000*	78.2	46,400*
	90	73.0	59,860	74.6	59,870	76.0	44,690*
	100	70.9	51,380	72.4	51,380	73.8	42,380*
	110	68.6	44,610	70.1	44,610	71.5	40,240*
<b>230' (70.1 m)</b>	120	66.4	39,640	67.9	39,640	69.2	39,650
	130	64.1	35,020	65.6	35,020	66.9	35,030
	140	61.7	31,100	63.2	31,110	64.5	31,110
	150	59.4	27,760	60.8	27,760	62.1	27,770
	160	56.9	24,850	58.3	24,860	59.6	24,860
	170	54.4	22,320	55.8	22,320	57.0	22,330
	180	51.7	20,080	53.2	20,080	54.3	20,090
	190	49.0	18,090	50.4	18,090	51.6	18,100
	200	46.2	16,310	47.6	16,310	48.6	16,320
	210	43.2	14,710	44.5	14,720	45.6	14,730
	220	40.0	13,270	41.3	13,280	42.3	13,280
	230	36.6	11,970	37.9	11,980	38.8	11,990

	50	81.9	60,000*	-	-	-	-
	60	79.8	60,000*	81.3	60,000*	-	-
	70	77.8	60,000*	79.3	60,000*	80.7	46,350*
	80	75.7	60,000*	77.2	60,000*	78.6	46,350*
	90	73.7	59,340	75.1	59,350	76.5	45,450*
	100	71.5	50,860	73.0	50,860	74.4	42,990*
	110	69.4	44,080	70.9	44,080	72.2	40,940*
	120	67.3	39,130	68.7	39,140	70.0	39,140
<b>240' (73.2 m)</b>	130	65.1	34,520	66.5	34,520	67.8	34,520
	140	62.8	30,600	64.3	30,600	65.5	30,610
	150	60.5	27,240	62.0	27,240	63.2	27,250
	160	58.2	24,350	59.6	24,350	60.8	24,350
	170	55.8	21,800	57.2	21,800	58.4	21,810
	180	53.3	19,560	54.7	19,560	55.8	19,570
	190	50.8	17,570	52.1	17,570	53.2	17,580
	200	48.1	15,800	49.4	15,800	50.5	15,810
	210	45.3	14,190	46.6	14,190	47.7	14,200
	220	42.4	12,760	43.7	12,760	44.7	12,770
	230	39.3	11,440	40.5	11,450	41.5	11,460
	240	35.9	10,250	37.2	10,260	38.0	10,270

	51	81.9	60,000*	-	-	-	-
	60	80.2	60,000*	81.6	60,000*	-	-
	70	78.2	60,000*	79.7	60,000*	81.0	46,310*
	80	76.2	60,000*	77.7	60,000*	79.0	46,310*
	90	74.2	58,800	75.7	58,810	77.0	46,090*
	100	72.2	50,310	73.6	50,310	74.9	43,690*
	110	70.1	43,530	71.6	43,530	72.9	41,630*
	120	68.1	38,610	69.5	38,610	70.7	38,620
	130	66.0	33,980	67.4	33,980	68.6	33,990
	140	63.8	30,060	65.2	30,060	66.4	30,070
<b>250' (76.2 m)</b>	150	61.6	26,700	63.0	26,710	64.2	26,710
	160	59.4	23,800	60.8	23,800	61.9	23,810
	170	57.1	21,250	58.5	21,260	59.6	21,260
	180	54.8	19,010	56.1	19,010	57.2	19,020
	190	52.3	17,020	53.7	17,020	54.8	17,030
	200	49.8	15,240	51.1	15,240	52.2	15,250
	210	47.2	13,640	48.5	13,640	49.5	13,650
	220	44.5	12,190	45.7	12,190	46.7	12,200
	230	41.6	10,890	42.9	10,890	43.8	10,900
	240	38.6	9,690	39.8	9,690	40.6	9,700
	250	35.3	8,600	36.5	8,600	37.3	8,610

**3**

HC 275

**17**

## With 92HI Offset Tip Boom and 195,000 Pound Counterweight, #30 Jib

195 klb + 64 klb CB 

360°

ANSI B 30.5  
DIN/ISO

### 45' (13.7 m) Jib length

Boom length	Jib Radius (Feet)	5.0 Deg offset		15.0 Deg offset		25.0 Deg offset	
		Boom Angle	Rating (Pounds)	Boom Angle	Rating (Pounds)	Boom Angle	Rating (Pounds)
	53	81.8	60,000*	-	-	-	-
	60	80.5	60,000*	81.9	59,180*	-	-
	70	78.6	60,000*	80.0	57,220*	81.3	46,260*
	80	76.7	60,000*	78.1	55,010*	79.4	46,260*
	90	74.7	58,280	76.1	52,960*	77.4	46,260*
	100	72.8	49,780	74.2	49,780	75.4	44,170*
	110	70.8	42,990	72.2	42,990	73.4	42,140*
	120	68.8	38,090	70.2	38,100	71.4	38,100
	130	66.8	33,460	68.2	33,470	69.4	33,470
	140	64.7	29,540	66.1	29,550	67.3	29,550
	150	62.6	26,180	64.0	26,180	65.2	26,190
	160	60.5	23,270	61.8	23,270	63.0	23,280
	170	58.3	20,720	59.6	20,730	60.8	20,730
	180	56.1	18,490	57.4	18,490	58.5	18,500
	190	53.8	16,500	55.1	16,500	56.1	16,510
	200	51.4	14,720	52.7	14,720	53.7	14,730
	210	48.9	13,120	50.2	13,120	51.2	13,130
	220	46.4	11,670	47.6	11,670	48.6	11,680
	230	43.7	10,350	44.9	10,360	45.9	10,360
	240	40.9	9,160	42.1	9,160	43.0	9,170
	250	37.9	8,060	39.1	8,060	39.9	8,070
	260	34.7	7,060	35.8	7,070	36.6	7,080

Boom length	Jib Radius (Feet)	5.0 Deg offset		15.0 Deg offset		25.0 Deg offset	
		Boom Angle	Rating (Pounds)	Boom Angle	Rating (Pounds)	Boom Angle	Rating (Pounds)
	55	82.0	52,150*	-	-	-	-
	60	81.1	50,620*	-	-	-	-
	70	79.3	47,470*	80.6	42,110*	81.9	35,710*
	80	77.5	44,590*	78.8	40,190*	80.0	34,600*
	90	75.7	42,060*	77.0	36,820*	78.2	33,560*
	100	73.9	38,230*	75.2	35,270*	76.4	32,410*
	110	72.0	36,200*	73.3	33,710*	74.5	31,240*
	120	70.2	34,350*	71.5	32,150*	72.6	29,940*
	130	68.3	32,590	69.6	30,720*	70.7	28,760*
	140	66.4	28,670	67.7	28,680	68.8	27,580*
	150	64.5	25,300	65.7	25,310	66.8	25,310
	160	62.5	22,400	63.7	22,400	64.8	22,410
	170	60.5	19,850	61.7	19,850	62.8	19,860
	180	58.4	17,600	59.7	17,610	60.7	17,610
	190	56.3	15,620	57.5	15,620	58.6	15,630
	200	54.2	13,840	55.4	13,840	56.4	13,850
	210	52.0	12,230	53.2	12,240	54.1	12,240
	220	49.7	10,780	50.9	10,790	51.8	10,790
	230	47.3	9,470	48.5	9,470	49.4	9,480
	240	44.8	8,270	46.0	8,270	46.9	8,280
	250	42.3	7,170	43.4	7,180	44.2	7,190
	260	39.5	6,170	40.6	6,180	41.4	6,180
	270	36.6	5,240	37.7	5,250	38.5	5,260
	280	33.5	4,060*	34.6	4,360*	35.3	4,400

	54	81.9	60,000*	-	-	-	-
	60	80.8	60,000*	-	-	-	-
	70	79.0	57,650*	80.3	50,910*	81.6	44,680*
	80	77.1	54,570*	78.5	48,880*	79.7	43,530*
	90	75.2	51,710*	76.6	46,870*	77.8	42,160*
	100	73.4	49,080*	74.7	44,870*	75.9	40,770*
	110	71.5	42,460	72.8	42,460	74.0	38,430*
	120	69.5	37,580	70.8	37,580	72.0	37,030*
	130	67.6	32,940	68.9	32,940	70.1	32,950
	140	65.6	29,020	66.9	29,020	68.1	29,030
	150	63.6	25,660	64.9	25,660	66.0	25,670
	160	61.5	22,740	62.8	22,750	63.9	22,750
	170	59.4	20,200	60.7	20,200	61.8	20,210
	180	57.3	17,950	58.6	17,950	59.6	17,960
	190	55.1	15,960	56.4	15,960	57.4	15,970
	200	52.8	14,180	54.1	14,180	55.1	14,190
	210	50.5	12,570	51.7	12,580	52.7	12,590
	220	48.1	11,130	49.3	11,130	50.3	11,140
	230	45.6	9,820	46.8	9,820	47.7	9,830
	240	43.0	8,620	44.1	8,630	45.0	8,630
	250	40.2	7,520	41.3	7,520	42.2	7,530
	260	37.3	6,520	38.4	6,520	39.2	6,530
	270	34.1	5,590	35.2	5,600	35.9	5,610



**195 klb + 64 klb CB**

**360°**

**ANSI B 30.5  
DIN/ISO**

**55' (16.8 m) Jib length**

Boom length	Jib Radius (Feet)	5.0 Deg offset		15.0 Deg offset		25.0 Deg offset	
		Boom Angle	Rating (Pounds)	Boom Angle	Rating (Pounds)	Boom Angle	Rating (Pounds)
140' (42.7 m)	38	81.9	60,000*	-	-	-	-
	40	81.3	60,000*	-	-	-	-
	50	78.3	60,000*	81.0	60,000*	-	-
	60	75.3	60,000*	78.0	56,160*	80.5	38,790*
	70	72.3	60,000*	74.9	49,980*	77.4	38,790*
	80	69.2	59,210*	71.8	44,930*	74.2	37,500*
	90	66.0	53,090*	68.6	40,920*	71.0	34,640*
	100	62.7	47,920*	65.3	40,110*	67.6	32,290*
	110	59.3	43,890*	61.9	37,330*	64.2	30,260*
	120	55.8	40,250*	58.4	35,040*	60.6	28,400*
130	52.2	37,680*	54.7	33,020*	56.8	26,930*	
140	48.3	35,020*	50.7	31,220*	52.8	25,650*	
150' (45.7 m)	39	82.0	60,000*	-	-	-	-
	40	81.7	60,000*	-	-	-	-
	50	78.9	60,000*	81.5	60,000*	-	-
	60	76.0	60,000*	78.6	57,750*	81.0	38,760*
	70	73.2	60,000*	75.7	51,650*	78.1	38,760*
	80	70.2	60,000*	72.7	46,410*	75.1	38,600*
	90	67.2	55,290*	69.7	42,440*	72.0	35,720*
	100	64.1	50,120*	66.6	40,350*	68.9	33,270*
	110	61.0	45,660*	63.4	38,560*	65.6	31,150*
	120	57.7	42,000*	60.1	36,040*	62.3	29,330*
130	54.3	39,080	56.7	34,050*	58.8	27,890*	
140	50.8	35,180	53.1	32,240*	55.1	26,490*	
150	47.0	31,840	49.3	30,550*	51.2	25,330*	
160' (48.8 m)	41	81.8	60,000*	-	-	-	-
	50	79.4	60,000*	81.9	60,000*	-	-
	60	76.7	60,000*	79.1	59,090*	81.4	38,740*
	70	74.0	60,000*	76.4	53,090*	78.6	38,740*
	80	71.2	60,000*	73.6	47,970*	75.8	38,740*
	90	68.3	57,470*	70.7	43,790*	72.9	36,670*
	100	65.4	52,160*	67.8	40,280*	69.9	34,240*
	110	62.5	47,650*	64.8	39,570*	66.9	32,120*
	120	59.4	42,730	61.7	37,160*	63.8	30,250*
	130	56.2	38,550	58.5	35,090*	60.5	28,700*
140	52.9	34,640	55.2	33,250*	57.1	27,310*	
150	49.5	31,300	51.7	31,310	53.6	26,150*	
160	45.8	28,410	48.0	28,420	49.8	25,120*	
170' (51.8 m)	42	81.9	60,000*	-	-	-	-
	50	79.9	60,000*	-	-	-	-
	60	77.3	60,000*	79.6	60,000*	81.8	38,710*
	70	74.7	60,000*	77.0	54,510*	79.2	38,710*
	80	72.0	60,000*	74.3	49,300*	76.5	38,710*
	90	69.3	59,620*	71.6	45,030*	73.7	37,580*
	100	66.6	54,020*	68.9	41,500*	70.9	35,020*
	110	63.8	47,690	66.0	40,340*	68.0	32,900*
	120	60.9	42,170	63.1	38,200*	65.1	31,110*
	130	57.9	38,010	60.1	36,040*	62.1	29,560*
140	54.8	34,100	57.0	34,110	58.9	28,160*	
150	51.6	30,760	53.8	30,770	55.6	26,880*	
160	48.3	27,870	50.4	27,880	52.1	25,810*	
170	44.7	25,340	46.8	25,340	48.5	24,890*	

Boom length	Jib Radius (Feet)	5.0 Deg offset		15.0 Deg offset		25.0 Deg offset	
		Boom Angle	Rating (Pounds)	Boom Angle	Rating (Pounds)	Boom Angle	Rating (Pounds)
180' (54.9 m)	44	81.8	60,000*	-	-	-	-
	50	80.3	60,000*	-	-	-	-
	60	77.9	60,000*	80.1	60,000*	-	-
	70	75.4	60,000*	77.6	55,610*	79.6	38,700*
	80	72.8	60,000*	75.0	50,740*	77.1	38,700*
	90	70.3	60,000*	72.4	46,410*	74.5	38,360*
	100	67.6	54,140	69.8	42,710*	71.8	35,900*
	110	65.0	47,380	67.1	40,250*	69.1	33,790*
	120	62.3	41,860	64.4	39,200*	66.3	31,870*
	130	59.4	37,730	61.6	37,090*	63.4	30,310*
140	56.6	33,820	58.6	33,830	60.5	28,900*	
150	53.6	30,480	55.6	30,490	57.4	27,610*	
160	50.4	27,580	52.5	27,580	54.2	26,540*	
170	47.2	25,050	49.2	25,060	50.8	25,060	
180	43.7	22,830	45.7	22,830	47.2	22,840	
190' (57.9 m)	45	81.9	60,000*	-	-	-	-
	50	80.7	60,000*	-	-	-	-
	60	78.4	60,000*	80.5	60,000*	-	-
	70	76.0	60,000*	78.1	56,540*	80.1	38,670*
	80	73.5	60,000*	75.7	51,980*	77.6	38,670*
	90	71.1	60,000*	73.2	47,590*	75.1	38,670*
	100	68.6	53,610	70.7	44,070*	72.6	36,760*
	110	66.1	46,850	68.1	40,850*	70.0	34,480*
	120	63.5	41,320	65.5	40,240*	67.4	32,630*
	130	60.8	37,210	62.9	37,220	64.7	31,070*
140	58.1	33,310	60.1	33,310	61.9	29,640*	
150	55.3	29,960	57.3	29,970	59.0	28,350*	
160	52.4	27,060	54.3	27,060	56.0	27,070	
170	49.3	24,530	51.3	24,530	52.9	24,540	
180	46.1	22,290	48.0	22,300	49.6	22,310	
190	42.7	20,320	44.6	20,320	46.1	20,330	
200' (61.0 m)	46	82.0	60,000*	-	-	-	-
	50	81.1	60,000*	-	-	-	-
	60	78.8	60,000*	80.9	60,000*	-	-
	70	76.5	60,000*	78.6	57,610*	80.5	38,650*
	80	74.2	60,000*	76.2	53,150*	78.1	38,650*
	90	71.9	60,000*	73.9	48,800*	75.8	38,650*
	100	69.5	53,050	71.5	45,100*	73.3	37,380*
	110	67.1	46,280	69.1	42,010*	70.9	35,230*
	120	64.6	40,740	66.6	40,210*	68.4	33,390*
	130	62.1	36,650	64.0	36,660	65.8	31,830*
140	59.5	32,750	61.4	32,750	63.1	30,270*	
150	56.8	29,400	58.8	29,410	60.4	28,980*	
160	54.1	26,500	56.0	26,500	57.6	26,510	
170	51.2	23,970	53.1	23,970	54.7	23,980	
180	48.3	21,730	50.1	21,730	51.6	21,740	
190	45.1	19,750	47.0	19,760	48.4	19,770	
200	41.8	17,980	43.6	17,980	45.0	17,990	

**3**

HC 275

**19**

## With 92HI Offset Tip Boom and 195,000 Pound Counterweight, #30 Jib

195 klb + 64 klb CB 

360°

ANSI B 30.5  
DIN/ISO

### 55' (16.8 m) Jib length

Boom length	Jib Radius (Feet)	5.0 Deg offset		15.0 Deg offset		25.0 Deg offset	
		Boom Angle	Rating (Pounds)	Boom Angle	Rating (Pounds)	Boom Angle	Rating (Pounds)
	48	81.9	60,000*	-	-	-	-
	50	81.4	60,000*	-	-	-	-
	60	79.2	60,000*	81.2	60,000*	-	-
	70	77.0	60,000*	79.0	58,560*	80.9	38,620*
	80	74.8	60,000*	76.8	54,070*	78.6	38,620*
	90	72.6	60,000*	74.5	49,850*	76.3	38,620*
	100	70.3	52,510	72.2	46,150*	74.0	38,120*
	110	68.0	45,740	69.9	43,040*	71.6	36,060*
210' (64.0 m)	120	65.6	40,200	67.5	40,200	69.3	34,160*
	130	63.2	36,140	65.1	36,140	66.8	32,460*
	140	60.8	32,220	62.6	32,220	64.3	31,030*
	150	58.2	28,880	60.1	28,880	61.7	28,890
	160	55.7	25,970	57.5	25,980	59.1	25,980
	170	53.0	23,440	54.8	23,440	56.3	23,450
	180	50.2	21,200	52.0	21,200	53.5	21,210
	190	47.3	19,210	49.1	19,210	50.5	19,220
	200	44.2	17,440	46.0	17,450	47.3	17,460
	210	41.0	15,840	42.7	15,840	44.0	15,850

	49	81.9	60,000*	-	-	-	-
	50	81.7	60,000*	-	-	-	-
	60	79.6	60,000*	81.5	60,000*	-	-
	70	77.5	60,000*	79.4	59,320*	81.2	38,600*
	80	75.4	60,000*	77.3	54,890*	79.0	38,600*
	90	73.2	60,000*	75.1	51,040*	76.8	38,600*
	100	71.0	51,970	72.9	47,230*	74.6	38,600*
	110	68.8	45,190	70.7	44,090*	72.4	36,670*
220' (67.1 m)	120	66.6	40,230	68.4	40,230	70.1	34,780*
	130	64.3	35,600	66.1	35,610	67.7	33,080*
	140	61.9	31,690	63.7	31,700	65.4	31,660*
	150	59.5	28,340	61.3	28,340	62.9	28,350
	160	57.1	25,440	58.9	25,450	60.4	25,450
	170	54.5	22,900	56.3	22,900	57.8	22,910
	180	51.9	20,660	53.7	20,660	55.1	20,670
	190	49.2	18,680	50.9	18,680	52.3	18,690
	200	46.4	16,900	48.0	16,900	49.4	16,910
	210	43.4	15,300	45.0	15,310	46.3	15,320
220	40.2	13,860	41.8	13,870	43.0	13,880	

	51	81.8	60,000*	-	-	-	-
	60	80.0	60,000*	81.8	60,000*	-	-
	70	78.0	60,000*	79.8	60,000*	81.5	38,580*
	80	75.9	60,000*	77.7	55,800*	79.4	38,580*
	90	73.8	60,000*	75.6	51,930*	77.3	38,580*
	100	71.7	51,620	73.5	48,370*	75.2	38,580*
	110	69.6	44,840	71.4	44,840	73.0	37,420*
	120	67.4	39,900	69.2	39,910	70.8	35,390*
230' (70.1 m)	130	65.2	35,280	67.0	35,280	68.6	33,700*
	140	63.0	31,370	64.8	31,370	66.3	31,380
	150	60.7	28,020	62.5	28,020	64.0	28,030
	160	58.4	25,120	60.1	25,120	61.6	25,130
	170	56.0	22,570	57.7	22,570	59.1	22,580
	180	53.5	20,340	55.2	20,340	56.6	20,350
	190	50.9	18,350	52.6	18,350	54.0	18,360
	200	48.3	16,580	49.9	16,580	51.3	16,590
	210	45.5	14,980	47.1	14,980	48.4	14,990
	220	42.5	13,540	44.1	13,540	45.4	13,550
230	39.4	12,220	41.0	12,230	42.2	12,240	

Boom length	Jib Radius (Feet)	5.0 Deg offset		15.0 Deg offset		25.0 Deg offset	
		Boom Angle	Rating (Pounds)	Boom Angle	Rating (Pounds)	Boom Angle	Rating (Pounds)
	52	81.9	60,000*	-	-	-	-
	60	80.3	60,000*	-	-	-	-
	70	78.4	60,000*	80.1	60,000*	81.8	38,550*
	80	76.4	60,000*	78.2	56,670*	79.8	38,550*
	90	74.4	59,580	76.1	52,800*	77.8	38,550*
	100	72.4	51,090	74.1	49,270*	75.7	38,550*
	110	70.3	44,310	72.0	44,310	73.6	38,010*
	120	68.2	39,400	70.0	39,400	71.5	36,000*
240' (73.2 m)	130	66.1	34,770	67.8	34,770	69.4	34,310*
	140	64.0	30,850	65.7	30,850	67.2	30,860
	150	61.8	27,500	63.5	27,510	65.0	27,510
	160	59.6	24,600	61.2	24,600	62.7	24,610
	170	57.3	22,060	58.9	22,070	60.4	22,070
	180	54.9	19,820	56.6	19,820	58.0	19,830
	190	52.5	17,830	54.1	17,830	55.5	17,840
	200	50.0	16,050	51.6	16,050	52.9	16,060
	210	47.4	14,460	49.0	14,460	50.2	14,470
	220	44.6	13,010	46.2	13,020	47.4	13,020
230	41.8	11,700	43.3	11,700	44.5	11,710	
240	38.7	10,510	40.2	10,510	41.3	10,520	

	53	82.0	60,000*	-	-	-	-
	60	80.7	60,000*	-	-	-	-
	70	78.8	60,000*	80.5	59,630*	-	-
	80	76.8	60,000*	78.6	57,290*	80.2	38,530*
	90	74.9	59,030	76.6	53,640*	78.2	38,530*
	100	73.0	50,540	74.6	50,270*	76.2	38,530*
	110	71.0	43,760	72.7	43,760	74.2	38,530*
	120	69.0	38,860	70.7	38,870	72.2	36,600*
	130	67.0	34,230	68.6	34,240	70.1	34,240
	140	64.9	30,320	66.5	30,320	68.0	30,330
250' (76.2 m)	150	62.8	26,960	64.4	26,960	65.9	26,970
	160	60.7	24,050	62.3	24,050	63.7	24,060
	170	58.5	21,510	60.1	21,520	61.5	21,530
	180	56.2	19,270	57.8	19,270	59.2	19,280
	190	53.9	17,280	55.5	17,280	56.9	17,290
	200	51.6	15,500	53.1	15,500	54.4	15,510
	210	49.1	13,900	50.6	13,900	51.9	13,910
	220	46.5	12,460	48.1	12,460	49.3	12,470
	230	43.9	11,140	45.4	11,150	46.5	11,160
	240	41.0	9,950	42.5	9,950	43.6	9,960
250	38.0	8,860	39.5	8,860	40.5	8,870	



**195 klb + 64 klb CB**

**360°**

**ANSI B 30.5  
DIN/ISO**

**55' (16.8 m) Jib length**

Boom length	Jib Radius (Feet)	5.0 Deg offset		15.0 Deg offset		25.0 Deg offset	
		Boom Angle	Rating (Pounds)	Boom Angle	Rating (Pounds)	Boom Angle	Rating (Pounds)
	55	81.9	60,000*	-	-	-	-
	60	81.0	60,000*	-	-	-	-
	70	79.1	60,000*	80.8	53,180*	-	-
	80	77.3	58,460*	78.9	51,530*	80.5	38,510*
	90	75.4	55,580*	77.0	49,570*	78.6	38,510*
	100	73.5	50,010	75.2	47,680*	76.7	38,510*
	110	71.6	43,220	73.2	43,220	74.7	38,510*
	120	69.7	38,350	71.3	38,350	72.8	37,180*
	130	67.7	33,720	69.3	33,720	70.8	33,730
	140	65.7	29,800	67.4	29,800	68.8	29,810
	150	63.7	26,440	65.3	26,440	66.7	26,450
	160	61.7	23,530	63.3	23,540	64.7	23,540
	170	59.6	20,990	61.2	20,990	62.5	21,000
	180	57.4	18,740	59.0	18,750	60.3	18,750
	190	55.3	16,750	56.8	16,750	58.1	16,760
	200	53.0	14,970	54.5	14,970	55.8	14,980
	210	50.7	13,360	52.2	13,370	53.4	13,380
	220	48.3	11,930	49.7	11,930	51.0	11,940
	230	45.7	10,610	47.2	10,610	48.4	10,620
	240	43.1	9,410	44.6	9,420	45.7	9,430
	250	40.3	8,320	41.8	8,320	42.8	8,330
	260	37.4	7,320	38.8	7,330	39.8	7,340

	56	81.9	59,530*	-	-	-	-
	60	81.2	58,160*	-	-	-	-
	70	79.5	54,860*	81.1	47,450*	-	-
	80	77.7	52,000*	79.3	45,640*	80.8	38,490*
	90	75.9	49,220*	77.5	44,000*	78.9	37,670*
	100	74.0	46,730*	75.6	42,190*	77.1	36,690*
	110	72.2	42,690	73.8	40,390*	75.2	35,770*
	120	70.3	37,830	71.9	37,780*	73.3	34,650*
	130	68.5	33,190	70.0	33,200	71.4	33,200
	140	66.5	29,270	68.1	29,280	69.5	29,280
	150	64.6	25,910	66.1	25,920	67.5	25,930
	160	62.6	23,010	64.2	23,010	65.5	23,020
	170	60.6	20,460	62.1	20,460	63.5	20,470
	180	58.6	18,210	60.1	18,220	61.4	18,230
	190	56.5	16,220	58.0	16,220	59.3	16,230
	200	54.3	14,440	55.8	14,440	57.1	14,450
	210	52.1	12,830	53.6	12,840	54.8	12,850
	220	49.8	11,380	51.3	11,390	52.5	11,400
	230	47.5	10,080	48.9	10,080	50.0	10,090
	240	45.0	8,880	46.4	8,880	47.5	8,890
	250	42.4	7,780	43.8	7,790	44.9	7,800
	260	39.7	6,770	41.0	6,780	42.1	6,790
	270	36.8	5,850	38.1	5,860	39.1	5,870

Boom length	Jib Radius (Feet)	5.0 Deg offset		15.0 Deg offset		25.0 Deg offset	
		Boom Angle	Rating (Pounds)	Boom Angle	Rating (Pounds)	Boom Angle	Rating (Pounds)
	58	81.8	48,830*	-	-	-	-
	60	81.5	48,350*	-	-	-	-
	70	79.8	45,380*	81.3	37,580*	-	-
	80	78.0	42,620*	79.6	36,270*	81.1	31,890*
	90	76.3	40,170*	77.8	34,690*	79.3	31,030*
	100	74.5	36,650*	76.1	33,260*	77.5	30,030*
	110	72.7	34,750*	74.3	31,860*	75.7	29,010*
	120	70.9	32,910*	72.5	30,440*	73.9	27,960*
	130	69.1	31,220*	70.6	29,150*	72.0	26,980*
	140	67.3	28,920	68.8	27,860*	70.2	25,920*
	150	65.4	25,560	66.9	25,560	68.3	24,860*
	160	63.5	22,650	65.0	22,650	66.3	22,660
	170	61.6	20,100	63.1	20,110	64.4	20,110
	180	59.6	17,860	61.1	17,860	62.4	17,870
	190	57.6	15,860	59.1	15,870	60.3	15,870
	200	55.5	14,090	57.0	14,090	58.2	14,100
	210	53.4	12,480	54.9	12,490	56.1	12,500
	220	51.3	11,030	52.7	11,040	53.9	11,050
	230	49.0	9,710	50.4	9,720	51.6	9,730
	240	46.7	8,520	48.1	8,520	49.2	8,530
	250	44.3	7,420	45.6	7,420	46.7	7,430
	260	41.7	6,410	43.1	6,420	44.1	6,430
	270	39.1	5,490	40.4	5,500	41.3	5,510
	280	36.2	4,480*	37.5	4,640	38.4	4,650

**3**





**195 klb + 64 klb CB**

**360°**

**ANSI B 30.5  
DIN/ISO**

**65' (19.8 m) Jib length**

Boom length	Jib Radius (Feet)	5.0 Deg offset		15.0 Deg offset		25.0 Deg offset	
		Boom Angle	Rating (Pounds)	Boom Angle	Rating (Pounds)	Boom Angle	Rating (Pounds)
	53	81.9	53,220*	-	-	-	-
	60	80.5	52,420*	-	-	-	-
	70	78.5	51,160*	80.6	45,890*	-	-
	80	76.6	49,870*	78.6	45,000*	80.6	32,670*
	90	74.6	48,810*	76.6	44,010*	78.6	32,670*
	100	72.5	47,620*	74.6	40,750*	76.5	32,670*
	110	70.5	44,990	72.5	38,640*	74.4	31,050*
	120	68.4	40,080	70.5	38,020*	72.3	29,490*
<b>230' (70.1 m)</b>	130	66.3	35,450	68.3	35,450	70.2	28,070*
	140	64.1	31,540	66.2	31,550	68.0	26,780*
	150	62.0	28,190	64.0	28,200	65.8	25,590*
	160	59.7	25,290	61.7	25,290	63.5	24,560*
	170	57.4	22,750	59.4	22,760	61.1	22,770
	180	55.1	20,510	57.0	20,510	58.7	20,520
	190	52.7	18,530	54.6	18,530	56.2	18,540
	200	50.1	16,750	52.1	16,750	53.7	16,760
	210	47.5	15,160	49.4	15,160	51.0	15,170
	220	44.8	13,710	46.7	13,720	48.2	13,730
230	41.9	12,410	43.8	12,410	45.2	12,420	

	54	82.0	52,810*	-	-	-	-
	60	80.8	52,150*	-	-	-	-
	70	78.9	51,040*	81.0	45,690*	-	-
	80	77.0	49,920*	79.0	44,910*	80.9	32,640*
	90	75.1	48,840*	77.1	44,220*	79.0	32,640*
	100	73.1	47,670*	75.1	41,540*	77.0	32,640*
	110	71.1	44,460	73.1	38,770*	75.0	31,550*
	120	69.1	39,570	71.1	38,150*	72.9	29,990*
<b>240' (73.2 m)</b>	130	67.1	34,940	69.1	34,950	70.9	28,460*
	140	65.1	31,040	67.0	31,040	68.8	27,290*
	150	63.0	27,680	64.9	27,680	66.6	26,110*
	160	60.8	24,770	62.8	24,770	64.5	24,780
	170	58.6	22,230	60.6	22,240	62.2	22,250
	180	56.4	19,990	58.3	19,990	59.9	20,000
	190	54.1	18,010	56.0	18,010	57.6	18,020
	200	51.7	16,230	53.6	16,230	55.1	16,240
	210	49.3	14,630	51.1	14,630	52.6	14,640
	220	46.7	13,190	48.5	13,190	50.0	13,200
230	44.0	11,870	45.8	11,880	47.2	11,890	
240	41.2	10,680	43.0	10,680	44.3	10,700	

	56	81.8	52,570*	-	-	-	-
	60	81.1	52,180*	-	-	-	-
	70	79.3	51,090*	81.2	45,560*	-	-
	80	77.4	49,940*	79.4	44,910*	81.2	32,620*
	90	75.6	48,860*	77.5	44,210*	79.3	32,620*
	100	73.7	47,980*	75.6	39,450*	77.4	32,620*
	110	71.8	43,910	73.7	38,880*	75.5	31,920*
	120	69.8	39,040	71.8	38,280*	73.5	30,370*
	130	67.9	34,410	69.8	34,410	71.5	28,960*
	140	65.9	30,490	67.8	30,490	69.5	27,680*
<b>250' (76.2 m)</b>	150	63.9	27,130	65.8	27,130	67.5	26,520*
	160	61.8	24,230	63.7	24,240	65.4	24,250
	170	59.7	21,690	61.6	21,690	63.2	21,700
	180	57.6	19,440	59.5	19,450	61.1	19,450
	190	55.4	17,460	57.2	17,460	58.8	17,470
	200	53.1	15,680	55.0	15,680	56.5	15,690
	210	50.8	14,070	52.6	14,080	54.1	14,090
	220	48.4	12,630	50.2	12,630	51.6	12,640
	230	45.9	11,320	47.6	11,320	49.1	11,330
	240	43.3	10,120	45.0	10,130	46.3	10,140
250	40.5	9,030	42.2	9,040	43.5	9,050	

Boom length	Jib Radius (Feet)	5.0 Deg offset		15.0 Deg offset		25.0 Deg offset	
		Boom Angle	Rating (Pounds)	Boom Angle	Rating (Pounds)	Boom Angle	Rating (Pounds)
	57	81.9	52,170*	-	-	-	-
	60	81.4	51,920*	-	-	-	-
	70	79.6	50,830*	81.5	45,210*	-	-
	80	77.8	49,740*	79.7	44,540*	81.5	32,600*
	90	76.0	48,810*	77.9	43,950*	79.7	32,600*
	100	74.2	47,780*	76.1	43,140*	77.8	32,600*
	110	72.3	43,370	74.2	38,720*	76.0	32,420*
	120	70.5	38,520	72.4	38,250*	74.1	30,850*
<b>260' (79.2 m)</b>	130	68.6	33,890	70.5	33,900	72.2	29,420*
	140	66.7	29,970	68.5	29,980	70.2	28,120*
	150	64.8	26,610	66.6	26,620	68.2	26,630
	160	62.8	23,710	64.6	23,710	66.2	23,720
	170	60.8	21,160	62.6	21,160	64.2	21,170
	180	58.7	18,920	60.5	18,930	62.1	18,940
	190	56.6	16,930	58.4	16,930	59.9	16,940
	200	54.5	15,150	56.2	15,150	57.7	15,160
	210	52.3	13,540	54.0	13,550	55.5	13,560
	220	50.0	12,090	51.7	12,100	53.1	12,110
230	47.6	10,790	49.3	10,790	50.7	10,800	
240	45.1	9,590	46.8	9,590	48.2	9,600	
250	42.6	8,490	44.2	8,500	45.5	8,510	
260	39.8	7,490	41.5	7,500	42.7	7,510	

	58	82.0	51,540*	-	-	-	-
	60	81.6	51,350*	-	-	-	-
	70	79.9	50,370*	81.8	44,310*	-	-
	80	78.2	49,430*	80.0	42,850*	81.8	32,570*
	90	76.4	47,160*	78.3	41,210*	80.0	32,570*
	100	74.7	44,580*	76.5	38,370*	78.2	32,570*
	110	72.9	42,330*	74.7	36,970*	76.4	32,570*
	120	71.1	38,010	72.9	35,590*	74.6	31,220*
	130	69.3	33,380	71.1	33,380	72.7	29,800*
	140	67.4	29,450	69.2	29,450	70.9	28,510*
<b>270' (82.3 m)</b>	150	65.6	26,090	67.3	26,090	69.0	26,100
	160	63.7	23,180	65.4	23,180	67.0	23,190
	170	61.7	20,630	63.5	20,640	65.1	20,650
	180	59.8	18,390	61.5	18,390	63.0	18,400
	190	57.7	16,390	59.5	16,400	61.0	16,400
	200	55.7	14,620	57.4	14,620	58.9	14,630
	210	53.6	13,010	55.3	13,020	56.7	13,030
	220	51.4	11,560	53.1	11,570	54.5	11,580
	230	49.2	10,250	50.8	10,260	52.2	10,270
	240	46.8	9,060	48.5	9,060	49.8	9,070
250	44.4	7,960	46.0	7,960	47.3	7,980	
260	41.9	6,940	43.5	6,950	44.7	6,960	
270	39.2	6,020	40.8	6,030	41.9	6,040	

**3**

HC 275

**23**



## With 92HI Offset Tip Boom and 195,000 Pound Counterweight, #30 Jib

195 klb + 64 klb CB



360°

ANSI B 30.5  
DIN/ISO

### 65' (19.8 m) Jib length

Boom length	Jib Radius (Feet)	5.0 Deg offset		15.0 Deg offset		25.0 Deg offset	
		Boom Angle	Rating (Pounds)	Boom Angle	Rating (Pounds)	Boom Angle	Rating (Pounds)
	60	81.9	46,040*	-	-	-	-
	70	80.2	43,270 *	-	-	-	-
	80	78.5	40,730*	80.3	34,030*	-	-
	90	76.8	36,990*	78.6	32,710*	80.3	28,640*
	100	75.1	35,070*	76.9	31,430*	78.6	27,810*
	110	73.4	33,240*	75.2	30,130*	76.8	26,940*
	120	71.7	31,570*	73.4	28,820*	75.0	26,090*
	130	69.9	29,890*	71.7	27,510*	73.3	25,130*
	140	68.1	28,480*	69.9	26,310*	71.4	24,300*
	150	66.3	25,730	68.0	25,240*	69.6	23,370*
280' (85.3 m)	160	64.5	22,810	66.2	22,820	67.8	22,430*
	170	62.6	20,280	64.3	20,280	65.9	20,290
	180	60.7	18,030	62.4	18,030	63.9	18,040
	190	58.8	16,030	60.5	16,040	62.0	16,050
	200	56.8	14,250	58.5	14,250	60.0	14,260
	210	54.8	12,660	56.5	12,660	57.9	12,670
	220	52.7	11,200	54.4	11,210	55.8	11,220
	230	50.6	9,890	52.2	9,900	53.6	9,910
	240	48.4	8,690	50.0	8,700	51.3	8,710
	250	46.1	7,600	47.7	7,600	49.0	7,610
	260	43.7	6,590	45.3	6,600	46.5	6,610
	270	41.2	5,670	42.8	5,670	43.9	5,680
	280	38.6	4,740*	40.1	4,810	41.2	4,820

### 75' (22.9 m) Jib length

Boom length	Jib Radius (Feet)	5.0 Deg offset		15.0 Deg offset		25.0 Deg offset	
		Boom Angle	Rating (Pounds)	Boom Angle	Rating (Pounds)	Boom Angle	Rating (Pounds)
	50	81.8	42,120*	-	-	-	-
	60	79.6	36,150*	-	-	-	-
	70	77.4	35,050*	80.1	31,710*	-	-
	80	75.2	33,980*	77.9	30,930*	80.4	28,010*
	90	72.9	32,970*	75.6	30,010*	78.1	27,230*
	100	70.7	32,130*	73.3	29,180*	75.8	26,310*
190' (57.9 m)	110	68.3	31,330*	71.0	28,270*	73.4	24,710*
	120	66.0	30,210*	68.6	27,480*	71.0	23,350*
	130	63.6	29,320*	66.2	26,840*	68.6	22,140*
	140	61.1	28,390*	63.7	26,200*	66.1	21,120*
	150	58.6	27,630*	61.2	25,560*	63.5	20,100*
	160	56.0	26,880*	58.6	24,330*	60.8	19,250*
	170	53.3	24,870	55.9	23,080*	58.0	18,460*
	180	50.6	22,630	53.0	21,970*	55.2	17,780*
	190	47.6	20,650	50.1	20,660	52.2	17,170*
		51	81.9	42,160*	-	-	-
	60	80.0	36,290*	-	-	-	-
	70	77.9	35,250*	80.5	31,790*	-	-
	80	75.7	34,200*	78.3	31,060*	80.8	28,120*
	90	73.6	33,250*	76.2	30,210*	78.6	27,440*
	100	71.4	32,450*	74.0	29,350*	76.4	26,780*
	110	69.2	31,600*	71.7	28,580*	74.1	25,170*
	120	66.9	30,710*	69.5	27,760*	71.8	23,840*
200' (61.0 m)	130	64.6	29,660*	67.1	27,040*	69.4	22,620*
	140	62.3	28,780*	64.8	26,390*	67.0	21,530*
	150	59.9	28,020*	62.4	25,750*	64.6	20,590*
	160	57.4	26,840	59.9	25,030*	62.1	19,660*
	170	54.9	24,310	57.3	23,800*	59.5	18,900*
	180	52.3	22,080	54.7	22,080	56.8	18,220*
	190	49.5	20,090	51.9	20,090	54.0	17,600*
	200	46.7	18,320	49.1	18,330	51.0	17,020*

Boom length	Jib Radius (Feet)	5.0 Deg offset		15.0 Deg offset		25.0 Deg offset	
		Boom Angle	Rating (Pounds)	Boom Angle	Rating (Pounds)	Boom Angle	Rating (Pounds)
	52	82.0	42,170*	-	-	-	-
	60	80.3	36,440*	-	-	-	-
	70	78.3	35,310*	80.8	31,800*	-	-
	80	76.2	34,380*	78.8	31,060*	81.1	28,240*
	90	74.2	33,470*	76.7	30,480*	79.0	27,550*
	100	72.1	32,540*	74.5	29,540*	76.9	26,900*
	110	69.9	31,720*	72.4	28,720*	74.7	25,680*
	120	67.8	30,940*	70.2	27,960*	72.5	24,230*
210' (64.0 m)	130	65.6	30,040*	68.0	27,330*	70.2	23,070*
	140	63.3	29,160*	65.8	26,690*	67.9	21,940*
	150	61.1	28,340*	63.5	26,050*	65.6	21,000*
	160	58.7	26,320	61.1	25,520*	63.2	20,150*
	170	56.3	23,780	58.7	23,790	60.7	19,290*
	180	53.8	21,540	56.2	21,540	58.2	18,580*
	190	51.3	19,560	53.6	19,560	55.6	17,970*
	200	48.6	17,780	50.9	17,780	52.8	17,380*
	210	45.8	16,180	48.1	16,190	49.9	16,200





**195 klb + 64 klb CB**

**360°**

**ANSI B 30.5  
DIN/ISO**

**75' (22.9 m) Jib length**

Boom length	Jib Radius (Feet)	5.0 Deg offset		15.0 Deg offset		25.0 Deg offset	
		Boom Angle	Rating (Pounds)	Boom Angle	Rating (Pounds)	Boom Angle	Rating (Pounds)
	54	81.9	41,850*	-	-	-	-
	60	80.7	36,400*	-	-	-	-
	70	78.7	36,400*	81.1	31,850*	-	-
	80	76.7	34,550*	79.1	31,120*	81.4	28,230*
	90	74.7	33,680*	77.1	30,500*	79.4	27,650*
	100	72.7	32,760*	75.1	29,710*	77.3	27,010*
	110	70.6	31,950*	73.0	28,940*	75.2	26,100*
	120	68.6	31,180*	70.9	28,170*	73.1	24,730*
<b>220' (67.1 m)</b>	130	66.5	30,420*	68.8	27,530*	71.0	23,480*
	140	64.3	29,500*	66.7	26,880*	68.8	22,350*
	150	62.1	28,680*	64.5	26,240*	66.5	21,410*
	160	59.9	25,780*	62.2	25,710*	64.3	20,550*
	170	57.6	23,240*	59.9	23,250*	61.9	19,700*
	180	55.3	21,010*	57.5	21,010*	59.5	19,020*
	190	52.8	19,020*	55.1	19,020*	57.0	18,330*
	200	50.3	17,250*	52.5	17,250*	54.4	17,260*
	210	47.7	15,650*	49.9	15,650*	51.7	15,660*
	220	45.0	14,200*	47.1	14,210*	48.9	14,220*

	55	81.9	41,460*	-	-	-	-
	60	81.0	36,350*	-	-	-	-
	70	79.1	36,350*	81.4	31,700*	-	-
	80	77.2	34,540*	79.5	31,100*	81.7	28,290*
	90	75.2	33,730*	77.6	30,480*	79.8	27,710*
	100	73.3	32,830*	75.6	29,860*	77.8	27,090*
	110	71.3	32,060*	73.6	29,200*	75.8	26,500*
	120	69.3	31,290*	71.6	28,440*	73.7	25,120*
<b>230' (70.1 m)</b>	130	67.3	30,640*	69.6	27,690*	71.7	23,880*
	140	65.2	29,880*	67.5	27,060*	69.6	22,750*
	150	63.1	28,350*	65.4	26,540*	67.4	21,810*
	160	61.0	25,440*	63.2	25,440*	65.2	20,870*
	170	58.8	22,900*	61.0	22,910*	63.0	20,110*
	180	56.6	20,660*	58.8	20,670*	60.7	19,330*
	190	54.3	18,680*	56.4	18,680*	58.3	18,690*
	200	51.9	16,910*	54.0	16,910*	55.9	16,920*
	210	49.4	15,310*	51.6	15,310*	53.3	15,320*
	220	46.9	13,860*	49.0	13,860*	50.7	13,870*
	230	44.2	12,550*	46.3	12,560*	47.9	12,570*

	57	81.8	36,690*	-	-	-	-
	60	81.3	36,690*	-	-	-	-
	70	79.4	35,470*	81.7	31,730*	-	-
	80	77.6	34,600*	79.8	31,110*	82.0	28,270*
	90	75.7	33,790*	78.0	30,520*	80.1	27,820*
	100	73.8	33,040*	76.1	29,890*	78.2	27,220*
	110	71.9	32,170*	74.2	29,300*	76.2	26,590*
	120	70.0	31,520*	72.2	28,660*	74.3	25,510*
<b>240' (73.2 m)</b>	130	68.0	30,870*	70.3	27,900*	72.3	24,270*
	140	66.1	30,230*	68.3	27,260*	70.3	23,140*
	150	64.0	27,830*	66.2	26,730*	68.2	22,120*
	160	62.0	24,920*	64.2	24,930*	66.1	21,280*
	170	59.9	22,390*	62.1	22,390*	64.0	20,420*
	180	57.8	20,140*	59.9	20,150*	61.8	19,740*
	190	55.6	18,160*	57.7	18,160*	59.5	18,170*
	200	53.3	16,380*	55.4	16,380*	57.2	16,390*
	210	51.0	14,780*	53.1	14,790*	54.8	14,800*
	220	48.6	13,340*	50.6	13,340*	52.3	13,350*
	230	46.0	12,030*	48.1	12,030*	49.7	12,050*
	240	43.4	10,830*	45.4	10,840*	47.0	10,850*

Boom length	Jib Radius (Feet)	5.0 Deg offset		15.0 Deg offset		25.0 Deg offset	
		Boom Angle	Rating (Pounds)	Boom Angle	Rating (Pounds)	Boom Angle	Rating (Pounds)
	58	81.9	36,570*	-	-	-	-
	60	81.5	36,570*	-	-	-	-
	70	79.8	35,660*	82.0	31,770*	-	-
	80	78.0	34,770*	80.2	31,240*	-	-
	90	76.2	33,950*	78.4	30,660*	80.4	27,910*
	100	74.3	33,180*	76.5	30,030*	78.6	27,220*
	110	72.5	32,410*	74.7	29,520*	76.7	26,680*
	120	70.6	31,760*	72.8	28,750*	74.8	25,820*
<b>250' (76.2 m)</b>	130	68.8	30,990*	70.9	28,110*	72.9	24,660*
	140	66.8	30,350*	69.0	27,460*	70.9	23,510*
	150	64.9	27,280*	67.0	26,930*	69.0	22,520*
	160	62.9	24,390*	65.0	24,390*	66.9	21,590*
	170	60.9	21,840*	63.0	21,840*	64.9	20,830*
	180	58.9	19,590*	61.0	19,600*	62.8	19,610*
	190	56.8	17,610*	58.8	17,610*	60.6	17,620*
	200	54.6	15,830*	56.7	15,830*	58.4	15,840*
	210	52.4	14,220*	54.4	14,230*	56.2	14,240*
	220	50.1	12,780*	52.1	12,790*	53.8	12,800*
	230	47.7	11,480*	49.7	11,480*	51.4	11,490*
	240	45.3	10,280*	47.2	10,280*	48.8	10,300*
	250	42.7	9,180*	44.6	9,190*	46.2	9,200*

	59	82.0	40,950*	-	-	-	-
	60	81.8	40,880*	-	-	-	-
	70	80.1	35,560*	-	-	-	-
	80	78.3	34,830*	80.5	31,120*	-	-
	90	76.6	33,980*	78.7	30,580*	80.7	27,880*
	100	74.8	33,260*	76.9	30,020*	78.9	27,410*
	110	73.0	32,490*	75.1	29,490*	77.1	26,760*
	120	71.2	31,860*	73.3	29,020*	75.3	26,220*
	130	69.4	31,220*	71.5	28,260*	73.4	24,950*
	140	67.6	30,130*	69.7	27,740*	71.5	23,910*
<b>260' (79.2 m)</b>	150	65.7	26,770*	67.8	26,770*	69.6	22,870*
	160	63.8	23,860*	65.9	23,860*	67.7	21,930*
	170	61.9	21,310*	63.9	21,320*	65.7	21,150*
	180	59.9	19,080*	61.9	19,080*	63.7	19,090*
	190	57.9	17,080*	59.9	17,090*	61.7	17,100*
	200	55.8	15,300*	57.8	15,300*	59.6	15,310*
	210	53.7	13,690*	55.7	13,700*	57.4	13,710*
	220	51.5	12,250*	53.5	12,260*	55.2	12,270*
	230	49.3	10,940*	51.2	10,950*	52.9	10,960*
	240	47.0	9,750*	48.9	9,750*	50.5	9,760*
	250	44.6	8,650*	46.4	8,660*	48.0	8,670*
	260	42.0	7,650*	43.9	7,650*	45.3	7,660*

	61	81.9	40,500*	-	-	-	-
	70	80.4	35,600*	-	-	-	-
	80	78.7	34,750*	80.7	31,080*	-	-
	90	77.0	34,000*	79.0	30,600*	81.0	27,750*
	100	75.3	33,230*	77.3	30,120*	79.3	27,390*
	110	73.5	32,600*	75.6	29,510*	77.5	26,940*
	120	71.8	31,970*	73.8	29,110*	75.7	26,410*
	130	70.0	31,190*	72.1	28,470*	73.9	25,340*
	140	68.3	29,600*	70.3	27,830*	72.1	24,200*
	150	66.5	26,240*	68.5	26,250*	70.3	23,180*
<b>270' (82.3 m)</b>	160	64.6	23,330*	66.6	23,340*	68.4	22,330*
	170	62.8	20,790*	64.7	20,790*	66.5	20,800*
	180	60.9	18,550*	62.8	18,550*	64.6	18,560*
	190	58.9	16,550*	60.9	16,560*	62.6	16,570*
	200	57.0	14,770*	58.9	14,770*	60.6	14,780*
	210	54.9	13,170*	56.9	13,170*	58.5	13,180*
	220	52.9	11,720*	54.8	11,730*	56.4	11,740*
	230	50.7	10,400*	52.6	10,410*	54.2	10,420*
	240	48.5	9,200*	50.4	9,210*	52.0	9,220*
	250	46.2	8,110*	48.1	8,110*	49.6	8,120*
	260	43.9	7,100*	45.7	7,110*	47.1	7,120*
	270	41.4	6,180*	43.2	6,180*	44.5	6,200*

**3**

HC 275

**25**

## With 92HI Offset Tip Boom and 195,000 Pound Counterweight, #30 Jib

195 klb + 64 klb CB 

360°

ANSI B 30.5  
DIN/ISO

**85' (25.9 m) Jib length**

Boom length	Jib Radius (Feet)	5.0 Deg offset		15.0 Deg offset		25.0 Deg offset	
		Boom Angle	Rating (Pounds)	Boom Angle	Rating (Pounds)	Boom Angle	Rating (Pounds)
	56	81.9	29,950*	-	-	-	-
	60	81.1	29,570*	-	-	-	-
	70	79.2	28,600*	81.9	25,320*	-	-
	80	77.3	27,700*	80.0	24,430*	-	-
	90	75.4	26,890*	78.0	23,680*	80.6	21,040*
	100	73.4	26,170*	76.1	22,920*	78.6	20,540*
	110	71.5	25,200*	74.1	22,190*	76.5	20,040*
	120	69.5	24,270*	72.1	21,590*	74.5	19,530*
220' (67.1 m)	130	67.4	23,540*	70.0	20,990*	72.4	19,080*
	140	65.4	22,740*	68.0	20,490*	70.3	18,700*
	150	63.3	22,040*	65.9	19,900*	68.2	18,310*
	160	61.1	21,380*	63.7	19,480*	66.0	17,860*
	170	59.0	20,780*	61.5	19,040*	63.7	17,160*
	180	56.7	20,190*	59.2	18,590*	61.4	16,500*
	190	54.4	19,210	56.9	18,210*	59.1	15,940*
	200	52.0	17,430	54.5	17,430	56.6	15,370*
	210	49.6	15,830	52.0	15,830	54.1	14,880*
	220	47.0	14,390	49.4	14,390	51.4	14,410

	57	82.0	29,730*	-	-	-	-
	60	81.4	29,540*	-	-	-	-
	70	79.6	28,640*	-	-	-	-
	80	77.7	27,810*	80.3	24,580*	-	-
	90	75.9	27,040*	78.4	23,770*	80.9	21,170*
	100	74.0	26,220*	76.5	23,050*	78.9	20,560*
	110	72.1	25,490*	74.6	22,350*	77.0	20,100*
	120	70.2	24,550*	72.7	21,750*	75.0	19,670*
230' (70.1 m)	130	68.2	23,740*	70.7	21,140*	73.0	19,240*
	140	66.2	22,990*	68.7	20,640*	71.0	18,830*
	150	64.2	22,290*	66.7	20,130*	69.0	18,450*
	160	62.2	21,690*	64.6	19,620*	66.9	18,070*
	170	60.1	21,010*	62.5	19,200*	64.7	17,530*
	180	57.9	20,510*	60.4	18,790*	62.5	16,860*
	190	55.7	18,860	58.1	18,420*	60.3	16,240*
	200	53.5	17,080	55.9	17,080	57.9	15,670*
	210	51.1	15,480	53.5	15,490	55.5	15,170*
	220	48.7	14,050	51.1	14,050	53.0	14,060
230	46.2	12,730	48.5	12,730	50.4	12,750	

	59	81.9	29,690*	-	-	-	-
	60	81.7	29,570*	-	-	-	-
	70	79.9	28,760*	-	-	-	-
	80	78.1	27,870*	80.6	24,670*	-	-
	90	76.3	27,090*	78.8	23,930*	81.2	21,170*
	100	74.5	26,380*	77.0	23,190*	79.3	20,690*
	110	72.6	25,690*	75.1	22,570*	77.4	20,160*
	120	70.8	24,850*	73.2	21,900*	75.5	19,730*
240' (73.2 m)	130	68.9	24,010*	71.3	21,300*	73.6	19,290*
	140	67.0	23,300*	69.4	20,780*	71.7	18,880*
	150	65.1	22,600*	67.5	20,270*	69.7	18,580*
	160	63.1	21,940*	65.5	19,840*	67.7	18,200*
	170	61.1	21,340*	63.5	19,360*	65.6	17,820*
	180	59.0	20,320	61.4	19,000*	63.5	17,120*
	190	56.9	18,340	59.3	18,340	61.4	16,530*
	200	54.8	16,560	57.1	16,560	59.1	15,970*
	210	52.6	14,960	54.9	14,970	56.9	14,980
	220	50.3	13,510	52.6	13,520	54.5	13,530
230	47.9	12,210	50.2	12,210	52.1	12,220	
240	45.4	11,020	47.7	11,020	49.5	11,040	

Boom length	Jib Radius (Feet)	5.0 Deg offset		15.0 Deg offset		25.0 Deg offset	
		Boom Angle	Rating (Pounds)	Boom Angle	Rating (Pounds)	Boom Angle	Rating (Pounds)
	60	81.9	29,610*	-	-	-	-
	70	80.2	28,870*	-	-	-	-
	80	78.5	28,010*	80.9	24,860*	-	-
	90	76.7	27,270*	79.1	24,060*	81.4	21,250*
	100	75.0	26,540*	77.4	23,360*	79.6	20,710*
	110	73.2	25,880*	75.6	22,640*	77.8	20,300*
	120	71.4	25,130*	73.8	22,030*	76.0	19,780*
	130	69.6	24,310*	71.9	21,520*	74.1	19,380*
250' (76.2 m)	140	67.7	23,500*	70.1	20,930*	72.3	19,010*
	150	65.9	22,860*	68.2	20,420*	70.3	18,630*
	160	64.0	22,160*	66.3	20,000*	68.4	18,330*
	170	62.0	21,560*	64.3	19,500*	66.4	18,030*
	180	60.1	19,790	62.4	19,160*	64.4	17,410*
	190	58.0	17,790	60.3	17,800	62.4	16,820*
	200	56.0	16,010	58.3	16,010	60.2	16,020
	210	53.9	14,410	56.1	14,420	58.1	14,430
	220	51.7	12,960	53.9	12,970	55.8	12,980
	230	49.5	11,650	51.7	11,660	53.5	11,670
240	47.1	10,460	49.3	10,460	51.1	10,470	
250	44.7	9,370	46.9	9,380	48.6	9,390	

	62	81.8	29,520*	-	-	-	-
	70	80.5	28,860*	-	-	-	-
	80	78.8	28,160*	81.2	24,880*	-	-
	90	77.1	27,400*	79.5	24,200*	81.7	21,320*
	100	75.4	26,610*	77.7	23,440*	80.0	20,790*
	110	73.7	25,960*	76.0	22,800*	78.2	20,370*
	120	71.9	25,320*	74.3	22,190*	76.4	19,860*
	130	70.2	24,490*	72.5	21,590*	74.6	19,520*
	140	68.4	23,770*	70.7	21,080*	72.8	19,090*
	150	66.6	23,060*	68.9	20,570*	71.0	18,760*
260' (79.2 m)	160	64.8	22,410*	67.0	20,150*	69.1	18,380*
	170	62.9	21,500	65.2	19,720*	67.2	18,080*
	180	61.0	19,260	63.3	19,260	65.3	17,700*
	190	59.1	17,260	61.3	17,270	63.3	17,080*
	200	57.1	15,490	59.3	15,490	61.3	15,510
	210	55.1	13,890	57.3	13,890	59.2	13,900
	220	53.0	12,430	55.2	12,440	57.1	12,450
	230	50.9	11,120	53.0	11,130	54.9	11,140
	240	48.7	9,920	50.8	9,930	52.6	9,940
	250	46.4	8,840	48.5	8,840	50.2	8,850
260	44.0	7,830	46.1	7,840	47.8	7,850	

	63	81.9	29,470*	-	-	-	-
	70	80.8	28,890*	-	-	-	-
	80	79.1	28,100*	81.4	24,780*	-	-
	90	77.5	27,400*	79.8	24,230*	81.9	21,340*
	100	75.8	26,690*	78.1	23,620*	80.2	20,850*
	110	74.2	26,050*	76.4	22,910*	78.5	20,430*
	120	72.5	25,500*	74.7	22,350*	76.8	20,010*
	130	70.8	24,780*	73.0	21,750*	75.1	19,580*
	140	69.0	24,060*	71.3	21,230*	73.3	19,150*
	150	67.3	23,330*	69.5	20,720*	71.6	18,810*
270' (82.3 m)	160	65.5	22,720*	67.7	20,290*	69.8	18,510*
	170	63.7	20,980	65.9	19,880*	67.9	18,210*
	180	61.9	18,730	64.1	18,740	66.1	17,920*
	190	60.0	16,740	62.2	16,740	64.2	16,750
	200	58.2	14,950	60.3	14,960	62.2	14,970
	210	56.2	13,360	58.4	13,360	60.2	13,370
	220	54.2	11,900	56.4	11,910	58.2	11,920
	230	52.2	10,590	54.3	10,600	56.1	10,610
	240	50.1	9,390	52.2	9,400	53.9	9,410
	250	47.9	8,290	50.0	8,300	51.7	8,310
260	45.7	7,290	47.7	7,290	49.4	7,310	
270	43.3	6,360	45.3	6,370	47.0	6,380	



**195 klb + 64 klb CB**

**360°**

**ANSI B 30.5  
DIN/ISO**

**95' (29.0 m) Jib length**

Boom length	Jib Radius (Feet)	5.0 Deg offset		15.0 Deg offset		25.0 Deg offset	
		Boom Angle	Rating (Pounds)	Boom Angle	Rating (Pounds)	Boom Angle	Rating (Pounds)
	61	81.9	24,720*	-	-	-	-
	70	80.4	23,920*	-	-	-	-
	80	78.6	23,200*	81.3	19,790*	-	-
	90	76.9	22,440*	79.6	19,150*	-	-
	100	75.1	21,540*	77.8	18,480*	80.4	16,260*
	110	73.3	20,730*	76.0	17,880*	78.5	15,830*
	120	71.5	19,960*	74.2	17,330*	76.7	15,450*
	130	69.7	19,250*	72.4	16,880*	74.8	15,060*
<b>240' (73.2 m)</b>	140	67.9	18,600*	70.5	16,360*	73.0	14,690*
	150	66.0	17,990*	68.6	15,910*	71.1	14,380*
	160	64.1	17,370*	66.7	15,540*	69.1	14,120*
	170	62.2	16,850*	64.8	15,160*	67.1	13,810*
	180	60.2	16,400*	62.8	14,790*	65.1	13,540*
	190	58.2	15,910*	60.8	14,420*	63.0	13,330*
	200	56.1	15,460*	58.7	14,110*	60.9	13,120*
	210	54.0	15,070	56.5	13,860*	58.8	12,920*
	220	51.8	13,630	54.4	13,540*	56.5	12,710*
	230	49.6	12,320	52.1	12,330	54.2	12,340
240	47.3	11,130	49.7	11,130	51.8	11,150	

	62	82.0	24,650*	-	-	-	-
	70	80.6	24,100*	-	-	-	-
	80	79.0	23,360*	81.6	19,870*	-	-
	90	77.3	22,650*	79.9	19,220*	-	-
	100	75.6	21,740*	78.2	18,630*	80.7	16,290*
	110	73.8	20,960*	76.4	18,010*	78.9	15,860*
	120	72.1	20,190*	74.7	17,480*	77.1	15,480*
	130	70.3	19,420*	72.9	17,000*	75.3	15,100*
<b>250' (76.2 m)</b>	140	68.5	18,810*	71.1	16,540*	73.5	14,790*
	150	66.7	18,190*	69.3	16,090*	71.7	14,480*
	160	64.9	17,590*	67.5	15,650*	69.8	14,160*
	170	63.0	17,070*	65.6	15,270*	67.9	13,900*
	180	61.2	16,580*	63.7	14,890*	65.9	13,620*
	190	59.2	16,140*	61.7	14,580*	64.0	13,420*
	200	57.2	15,690*	59.7	14,260*	61.9	13,200*
	210	55.2	14,530	57.7	13,940*	59.9	13,000*
	220	53.2	13,080	55.6	13,090	57.7	12,790*
	230	51.0	11,770	53.4	11,780	55.5	11,790
240	48.8	10,570	51.2	10,580	53.2	10,590	
250	46.5	9,480	48.9	9,480	50.9	9,500	

Boom length	Jib Radius (Feet)	5.0 Deg offset		15.0 Deg offset		25.0 Deg offset	
		Boom Angle	Rating (Pounds)	Boom Angle	Rating (Pounds)	Boom Angle	Rating (Pounds)
	64	81.9	24,540*	-	-	-	-
	70	80.9	24,100*	-	-	-	-
	80	79.3	23,430*	81.8	19,960*	-	-
	90	77.6	22,670*	80.2	19,300*	-	-
	100	76.0	21,960*	78.5	18,680*	80.9	16,360*
	110	74.3	21,110*	76.8	18,140*	79.2	15,970*
	120	72.6	20,340*	75.1	17,600*	77.5	15,590*
	130	70.9	19,650*	73.4	17,070*	75.8	15,210*
	140	69.2	18,970*	71.7	16,620*	74.0	14,830*
	150	67.4	18,410*	69.9	16,200*	72.2	14,570*
<b>260' (79.2 m)</b>	160	65.7	17,800*	68.1	15,750*	70.4	14,250*
	170	63.9	17,260*	66.3	15,370*	68.6	13,960*
	180	62.0	16,810*	64.5	15,050*	66.7	13,710*
	190	60.2	16,360*	62.6	14,690*	64.8	13,500*
	200	58.3	15,600	60.7	14,380*	62.9	13,230*
	210	56.4	14,000	58.8	14,000	60.9	13,030*
	220	54.4	12,550	56.8	12,560	58.8	12,570
	230	52.3	11,240	54.7	11,250	56.7	11,260
	240	50.2	10,040	52.6	10,050	54.6	10,060
	250	48.1	8,940	50.4	8,950	52.3	8,960
260	45.8	7,950	48.1	7,950	50.0	7,970	

	65	82.0	24,540*	-	-	-	-
	70	81.2	24,190*	-	-	-	-
	80	79.6	23,490*	-	-	-	-
	90	78.0	22,780*	80.5	19,370*	-	-
	100	76.4	22,120*	78.8	18,820*	81.2	16,400*
	110	74.7	21,260*	77.2	18,200*	79.5	16,020*
	120	73.1	20,570*	75.6	17,730*	77.9	15,630*
	130	71.4	19,890*	73.9	17,200*	76.2	15,250*
	140	69.8	19,190*	72.2	16,740*	74.5	14,930*
	150	68.1	18,620*	70.5	16,290*	72.8	14,610*
<b>270' (82.3 m)</b>	160	66.4	18,000*	68.8	15,910*	71.0	14,310*
	170	64.6	17,470*	67.0	15,540*	69.2	14,060*
	180	62.9	16,990*	65.3	15,160*	67.4	13,800*
	190	61.1	16,540*	63.5	14,850*	65.6	13,580*
	200	59.3	15,070	61.6	14,540*	63.7	13,320*
	210	57.4	13,470	59.8	13,470	61.8	13,110*
	220	55.5	12,020	57.8	12,030	59.9	12,040
	230	53.5	10,710	55.9	10,720	57.9	10,730
	240	51.5	9,510	53.8	9,520	55.8	9,530
	250	49.5	8,410	51.8	8,420	53.7	8,430
260	47.3	7,400	49.6	7,410	51.5	7,420	
270	45.1	6,480	47.4	6,480	49.2	6,500	



# Notes to lifting capacity

## ⚠ Warning

This rating chart is invalid if the crane has been modified or altered by use of other than GENUINE AMERICAN PARTS as such modifications or alterations may affect its capacity or safe operation. See American Crane Corporation Service Bulletin #259.

Ratings in this chart are in POUNDS and do not exceed the percentage of tipping specified for this crane by ANSI B30.5. All ratings require that the crane be standing level on a firm uniformly supporting surface.

Do not lift loads in excess of those shown on this chart. Lifting loads in excess of those shown or operation not in accordance with good operating practice, including limitations shown on page 3499 of Operator's Manual, can cause tipping, structural damage or catastrophic failure.

Asterisk (\*) areas on this chart indicate ratings which are limited by strength of material or factors other than stability (tipping).

„RADIUS IN FEET“ is the horizontal distance at ground level from the crane centerline of rotation to a vertical line through the center of gravity of the suspended load.

When using the main boom fall with jib in place, the main fall ratings must be reduced by the jib effective weight shown on the jib rating chart plus twice the weight of all suspended blocks, slings, rope, etc., at the jib fall. See Appendix A.

Blocks, slings, buckets and other load carrying devices are considered part of the load. The weight of standard hoisting ropes for the rating at a given radius has been calculated as part of the boom point load and need not be considered in determining net allowable loads. See Appendix A.

Ratings shown on this chart make no allowance for such factors as out of plumb loads, wind, poor soil conditions and dynamic effects due to excessive operating speeds. The user (operator) must exercise judgement to make allowance for these conditions. See page 3499 of Operator's Manual for detailed information.

No account is taken of the wind force on the load. This effect, which can be substantial for loads with large surface areas, must be considered by the user. In any wind it is strongly recommended that taglines be used to control the load.

Combinations of boom or boom and jib with a total length exceeding 350 ft (107 m) can be operated at full rated capacity only in wind speeds of 15 mph (24 km/h) or less. If lifts are to be performed in winds between 15 mph (24 km/h) and 25 mph (40 km/h), ratings must be reduced 10%. No operation of the above combinations should be attempted in wind speeds over 40 km/h (25 mph). The above limitations do not take into account loads with excessive surface area which are not restrained by tag lines.

BOOM HOIST LINE is 18 parts of 7/8 inch diameter 6 x 26, WS, FW, RAL, IWRC, EIPS wire rope with a minimum breaking strength of 79,600 pounds.

BOOM PENDANT SUSPENSION is 4 parts of 1-3/8 inch diameter EEIPS wire rope with a minimum breaking strength of 211,000 pounds.

JIB BACKSTAY LINE is 1.0 inch diameter wire rope with a minimum breaking strength of 115,000 pounds.

JIB FRONTSTAY PENDANT SUSPENSION is 2 parts of 1.0 inch diameter wire rope with a minimum breaking strength of 115,000 pounds.

WHIPLINE is 1-1/8 inch diameter 6 x 25, FW, RRL, IWRC, EEIPS wire rope with a minimum breaking strength of 143,000 pounds.

## ERECTION

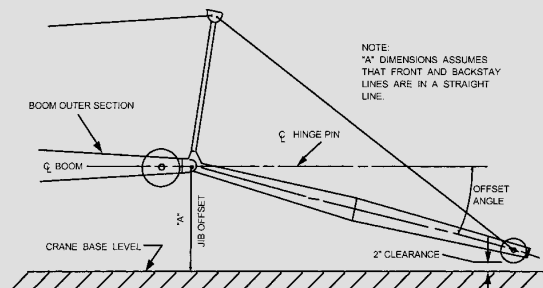
Erection „BLOCKED OVER THE END“ is with the boom over the *idler* end with idler tumblers blocked (See operator's manual for blocking instructions). Erection „OVER THE SIDE“ is with the boom 90° to the side frames. Blocks, slings and other load carrying devices must be on the ground during erection.

LOAD HOISTING INFORMATION - 1-1/8 inch diameter EEIPS wire rope			
MAXIMUM LIFTING CAPACITY - LBS.	MINIMUM PARTS OF LINE	MAXIMUM HOISTING DISTANCE - FEET	
		MAIN HOIST	AUX HOIST
60,000	2	655	655
40,850	1	1,310	1,310

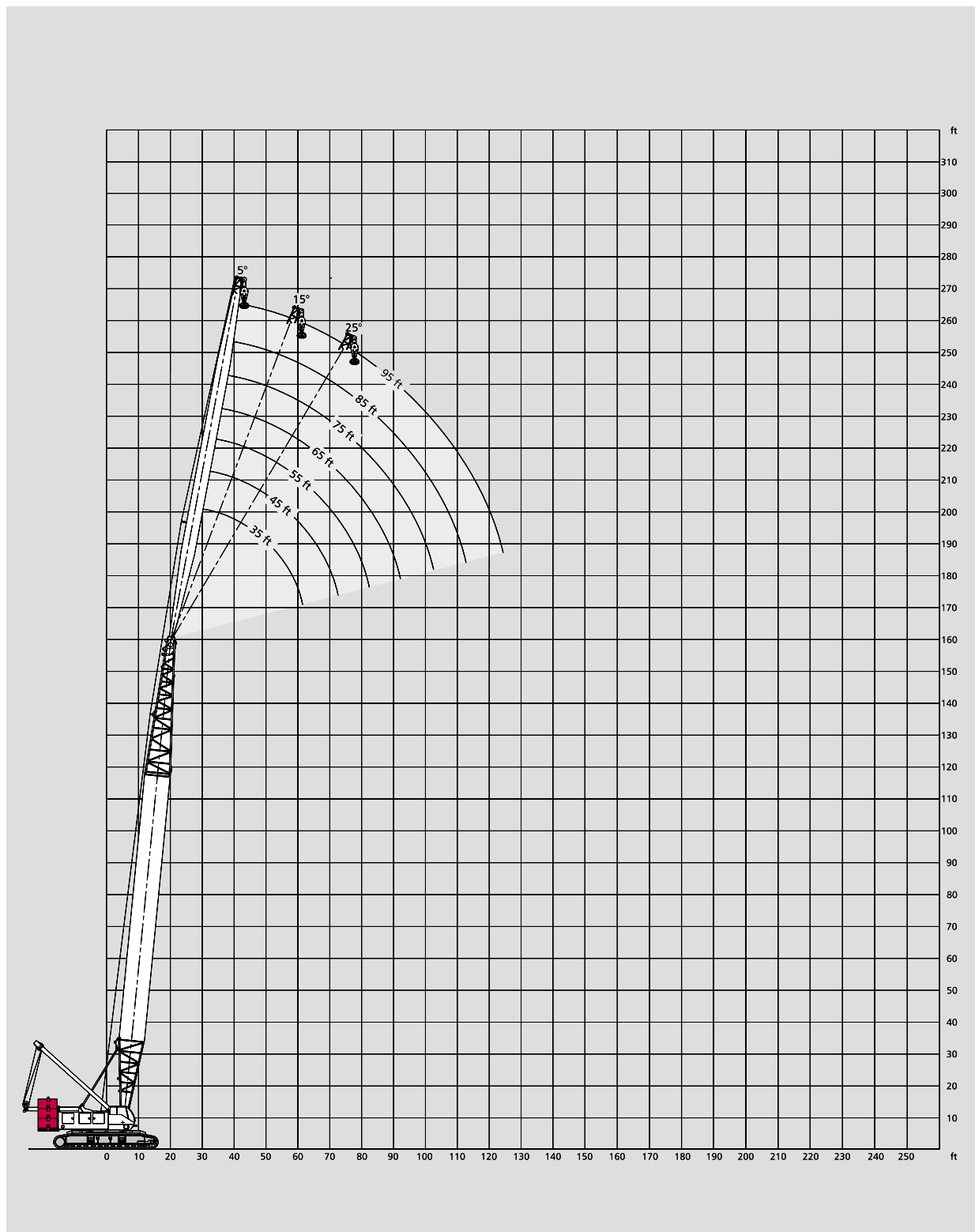
92HI OFFSET TIP BOOM MAXIMUM BOOM & JIB SELF-ERECTION DATA		
	BOOM LENGTH (FEET)	JIB LENGTH
		#30 JIB (FEET)
BLOCKED OVER THE END	300	0
	290	0
	280	65
	270	95
OVER THE SIDE	280	0
	270	0
	260	35
	250	65
	240	95

BOOM COMPOSITION CHART - 92HI OFFSET TIP							
BOOM LENGTH (FEET)	BOOM SECTIONS						
	25' 92HI INNER	15' 92HT CENTER	20' 92HT CENTER	10' 92ST CENTER	50' 92ST CENTER	40' 92H OUTER	
90	1	1	0	1	0	0	1
100	1	1	1	0	0	0	1
110	1	1	1	1	0	0	1
120	1	1	1	2	0	0	1
130	1	1	0	0	1	1	1
140	1	1	0	1	1	1	1
150	1	1	1	0	1	1	1
160	1	1	1	1	1	1	1
170	1	1	1	2	1	1	1
180	1	1	0	0	2	1	1
190	1	1	0	1	2	1	1
200	1	1	1	0	2	1	1
210	1	1	1	1	2	1	1
220	1	1	1	2	2	1	1
230	1	1	0	0	3	1	1
240	1	1	0	1	3	1	1
250	1	1	1	0	3	1	1
260	1	1	1	1	3	1	1
270	1	1	1	2	3	1	1
280	1	1	0	0	4	1	1

#30 JIB COMPOSITION CHART									
JIB LENGTH (FEET)	12.5' 32	10' 32	30' 32	12.5' 32	EFF. JIB WEIGHT (POUNDS)	JIB OFFSET "A" IN FEET			
	INNER	CENTER	CENTER	OUTER		5'	15'	25'	
35	1	1	0	1	5,430	4.7	9.1	13.4	
45	1	2	0	1	6,020	5.4	11.0	16.6	
55	1	0	1	1	6,360	6.0	12.9	19.6	
65	1	1	1	1	6,900	6.6	14.8	22.8	
75	1	2	1	1	7,460	7.3	16.6	25.8	
85	1	0	2	1	7,750	7.9	18.5	29.0	
95	1	1	2	1	8,440	8.5	20.3	31.9	



## Range Diagram, 16HL Jib



HC 275

## With 92HI Offset Tip Boom and 195,000 Pound Counterweight, 16HL Jib

195 klb + 64 klb CB 

360°

ANSI B 30.5  
DIN/ISO

### 40' (12.2 m) Jib length

Boom length	Jib Radius (Feet)	5.0 Deg offset		15.0 Deg offset		25.0 Deg offset	
		Boom Angle	Rating (Pounds)	Boom Angle	Rating (Pounds)	Boom Angle	Rating (Pounds)
100' (30.5 m)	28	82.0	32,000*	-	-	-	-
	30	81.2	32,000*	-	-	-	-
	35	79.1	32,000*	81.8	32,000*	-	-
	40	77.0	32,000*	79.7	32,000*	-	-
	50	72.8	32,000*	75.5	32,000*	78.0	30,670*
	60	68.5	32,000*	71.2	32,000*	73.6	27,430*
	70	64.0	32,000*	66.7	32,000*	69.1	24,910*
	80	59.4	32,000*	62.0	29,470*	64.3	22,820*
	90	54.5	31,700*	57.0	26,670*	59.3	21,190*
	100	49.3	28,690*	51.8	24,440*	53.9	19,820*
110' (33.5 m)	30	81.8	32,000*	-	-	-	-
	35	79.8	32,000*	-	-	-	-
	40	77.9	32,000*	80.4	32,000*	-	-
	50	74.0	32,000*	76.5	32,000*	78.9	31,340*
	60	70.0	32,000*	72.5	32,000*	74.8	28,110*
	70	65.9	32,000*	68.3	32,000*	70.6	25,570*
	80	61.6	32,000*	64.1	30,800*	66.2	23,580*
	90	57.2	32,000*	59.6	27,890*	61.7	21,870*
	100	52.5	30,320*	54.8	25,620*	56.9	20,550*
	110	47.5	27,820*	49.8	23,760*	51.7	19,370*
120' (36.6 m)	31	81.9	32,000*	-	-	-	-
	35	80.5	32,000*	-	-	-	-
	40	78.7	32,000*	81.0	32,000*	-	-
	50	75.0	32,000*	77.4	32,000*	79.6	31,870*
	60	71.3	32,000*	73.6	32,000*	75.8	28,830*
	70	67.5	32,000*	69.8	32,000*	71.9	26,330*
	80	63.6	32,000*	65.8	32,000*	67.9	24,280*
	90	59.5	32,000*	61.7	29,170*	63.7	22,510*
	100	55.2	32,000*	57.4	26,840*	59.4	21,180*
	110	50.7	29,310*	52.9	24,830*	54.7	19,940*
120	45.9	27,090*	48.0	23,210*	49.7	18,970*	
130' (39.6 m)	33	81.7	32,000*	-	-	-	-
	35	81.0	32,000*	-	-	-	-
	40	79.3	32,000*	81.6	32,000*	-	-
	50	75.9	32,000*	78.1	32,000*	80.2	32,000*
	60	72.4	32,000*	74.6	32,000*	76.7	29,380*
	70	68.9	32,000*	71.0	32,000*	73.1	26,940*
	80	65.2	32,000*	67.4	32,000*	69.3	24,910*
	90	61.4	32,000*	63.6	30,420*	65.5	23,180*
	100	57.5	32,000*	59.6	27,890*	61.5	21,730*
	110	53.4	30,920*	55.5	25,900*	57.3	20,510*
120	49.1	28,400*	51.1	24,090*	52.8	19,550*	
130	44.4	26,400*	46.4	22,670*	48.0	18,690*	
140' (42.7 m)	34	81.8	32,000*	-	-	-	-
	35	81.5	32,000*	-	-	-	-
	40	79.9	32,000*	-	-	-	-
	50	76.7	32,000*	78.8	32,000*	80.8	32,000*
	60	73.4	32,000*	75.5	32,000*	77.5	29,930*
	70	70.1	32,000*	72.2	32,000*	74.1	27,510*
	80	66.7	32,000*	68.7	32,000*	70.6	25,480*
	90	63.2	32,000*	65.2	31,530*	67.0	23,770*
	100	59.5	32,000*	61.5	28,920*	63.3	22,360*
	110	55.8	32,000*	57.7	26,840*	59.4	21,100*
120	51.8	29,900*	53.7	25,050*	55.4	20,060*	
130	47.6	27,730*	49.5	23,540*	51.1	19,140*	
140	43.1	25,860*	44.9	22,270*	46.4	18,380*	

Boom length	Jib Radius (Feet)	5.0 Deg offset		15.0 Deg offset		25.0 Deg offset		
		Boom Angle	Rating (Pounds)	Boom Angle	Rating (Pounds)	Boom Angle	Rating (Pounds)	
150' (45.7 m)	35	82.0	32,000*	-	-	-	-	
	40	80.5	32,000*	-	-	-	-	
	50	77.4	32,000*	79.4	32,000*	81.3	32,000*	
	60	74.3	32,000*	76.3	32,000*	78.1	30,460*	
	70	71.2	32,000*	73.1	32,000*	74.9	28,070*	
	80	68.0	32,000*	69.9	32,000*	71.7	26,030*	
	90	64.7	32,000*	66.6	32,000*	68.3	24,300*	
	100	61.3	32,000*	63.2	30,030*	64.9	22,810*	
	110	57.8	32,000*	59.7	27,810*	61.3	21,610*	
	120	54.1	31,290*	56.0	25,990*	57.6	20,530*	
160' (48.8 m)	130	50.3	29,020*	52.1	24,460*	53.7	19,620*	
	140	46.2	27,050*	48.0	23,100*	49.5	18,880*	
	150	41.9	25,430*	43.6	21,930*	44.9	18,220*	
	170' (51.8 m)	37	81.8	32,000*	-	-	-	-
		40	80.9	32,000*	-	-	-	-
		50	78.0	32,000*	79.9	32,000*	81.7	32,000*
		60	75.1	32,000*	77.0	32,000*	78.8	31,030*
		70	72.1	32,000*	74.0	32,000*	75.7	28,620*
		80	69.1	32,000*	71.0	32,000*	72.7	26,540*
		90	66.0	32,000*	67.9	32,000*	69.5	24,790*
100		62.9	32,000*	64.7	31,040*	66.3	23,340*	
110		59.6	32,000*	61.4	28,840*	63.0	22,150*	
120		56.2	32,000*	58.0	26,860*	59.5	21,030*	
180' (54.9 m)	130	52.7	30,320*	54.4	25,290*	55.9	20,090*	
	140	48.9	28,300*	50.7	23,910*	52.1	19,270*	
	150	45.0	26,570*	46.7	22,660*	48.0	18,610*	
	160	40.8	25,050*	42.4	21,660*	43.6	18,040*	
	190' (57.9 m)	38	81.9	32,000*	-	-	-	-
		40	81.4	32,000*	-	-	-	-
		50	78.6	32,000*	80.4	32,000*	-	-
		60	75.8	32,000*	77.6	32,000*	79.3	31,380*
		70	73.0	32,000*	74.8	32,000*	76.5	29,030*
		80	70.1	32,000*	71.9	32,000*	73.5	27,030*
90		67.2	32,000*	69.0	32,000*	70.6	25,360*	
100		64.2	32,000*	66.0	32,000*	67.5	23,860*	
110		61.2	32,000*	62.9	29,730*	64.4	22,550*	
120		58.0	32,000*	59.7	27,740*	61.2	21,480*	
200' (61.0 m)	130	54.7	31,490*	56.4	26,130*	57.8	20,560*	
	140	51.3	29,460*	52.9	24,700*	54.3	19,710*	
	150	47.7	27,650*	49.3	23,420*	50.6	18,960*	
	160	43.9	26,030*	45.4	22,350*	46.7	18,370*	
	170	39.7	24,710*	41.3	21,370*	42.4	17,880*	
	210' (64.0 m)	40	81.8	32,000*	-	-	-	-
		50	79.1	32,000*	80.9	32,000*	-	-
		60	76.5	32,000*	78.2	32,000*	79.8	31,900*
		70	73.8	32,000*	75.5	32,000*	77.1	29,550*
		80	71.1	32,000*	72.8	32,000*	74.3	27,460*
90		68.3	32,000*	70.0	32,000*	71.5	25,840*	
100		65.5	32,000*	67.2	32,000*	68.6	24,340*	
110		62.6	32,000*	64.2	30,600*	65.7	23,050*	
120		59.6	32,000*	61.2	28,630*	62.7	21,920*	
130		56.5	32,000*	58.2	26,970*	59.5	20,990*	
220' (67.0 m)	140	53.4	30,580*	54.9	25,380*	56.3	20,060*	
	150	50.0	28,800*	51.6	24,080*	52.9	19,330*	
	160	46.5	27,160*	48.1	22,950*	49.3	18,690*	
	170	42.8	25,310	44.3	22,010*	45.4	18,120*	
	180	38.8	23,120	40.2	21,090*	41.3	17,720*	



**195 klb + 64 klb CB**

**360°**

**ANSI B 30.5  
DIN/ISO**

**40' (12.2 m) Jib length**

Boom length	Jib Radius (Feet)	5.0 Deg offset		15.0 Deg offset		25.0 Deg offset	
		Boom Angle	Rating (Pounds)	Boom Angle	Rating (Pounds)	Boom Angle	Rating (Pounds)
	41	81.9	32,000*	-	-	-	-
	50	79.6	32,000*	81.3	32,000*	-	-
	60	77.1	32,000*	78.7	32,000*	80.3	32,000*
	70	74.5	32,000*	76.2	32,000*	77.7	29,920*
	80	71.9	32,000*	73.6	32,000*	75.0	27,900*
	90	69.3	32,000*	70.9	32,000*	72.4	26,270*
<b>190' (57.9 m)</b>	100	66.6	32,000*	68.2	32,000*	69.7	24,770*
	110	63.9	32,000*	65.5	31,500*	66.9	23,470*
	120	61.1	32,000*	62.6	29,410*	64.0	22,360*
	130	58.2	32,000*	59.7	27,680*	61.1	21,370*
	140	55.2	31,780*	56.7	26,220*	58.0	20,480*
	150	52.1	29,840*	53.6	24,840*	54.9	19,720*
	160	48.9	27,270	50.3	23,620*	51.5	19,050*
	170	45.4	24,760	46.9	22,640*	48.0	18,490*
	180	41.8	22,560	43.2	21,730*	44.3	18,020*
	190	37.9	20,620	39.2	20,630	40.2	17,590*

	42	82.0	32,000*	-	-	-	-
	50	80.0	32,000*	81.6	32,000*	-	-
	60	77.6	32,000*	79.2	32,000*	80.7	32,000*
	70	75.2	32,000*	76.8	32,000*	78.2	30,350*
	80	72.7	32,000*	74.3	32,000*	75.7	28,360*
	90	70.2	32,000*	71.7	32,000*	73.2	26,650*
<b>200' (61.0 m)</b>	100	67.6	32,000*	69.2	32,000*	70.6	25,160*
	110	65.0	32,000*	66.6	32,000*	67.9	23,930*
	120	62.4	32,000*	63.9	30,230*	65.2	22,730*
	130	59.7	32,000*	61.1	28,480*	62.4	21,770*
	140	56.8	32,000*	58.3	26,890*	59.6	20,910*
	150	53.9	29,560	55.4	25,490*	56.6	20,090*
	160	50.9	26,690	52.3	24,300*	53.5	19,380*
	170	47.8	24,190	49.2	23,220*	50.3	18,800*
	180	44.4	21,980	45.8	21,980	46.9	18,260*
	190	40.9	20,030	42.2	20,030	43.2	17,810*
	200	37.0	18,290	38.3	18,300	39.3	17,450*

	44	81.8	32,000*	-	-	-	-
	50	80.4	32,000*	82.0	32,000*	-	-
	60	78.1	32,000*	79.6	32,000*	81.1	32,000*
	70	75.8	32,000*	77.3	32,000*	78.7	30,690*
	80	73.4	32,000*	74.9	32,000*	76.3	28,780*
	90	71.0	32,000*	72.5	32,000*	73.9	27,090*
<b>210' (64.0 m)</b>	100	68.6	32,000*	70.1	32,000*	71.4	25,630*
	110	66.1	32,000*	67.6	32,000*	68.9	24,270*
	120	63.6	32,000*	65.0	31,010*	66.3	23,180*
	130	61.0	32,000*	62.4	29,260*	63.7	22,170*
	140	58.3	32,000*	59.8	27,670*	61.0	21,300*
	150	55.6	29,020	57.0	26,200*	58.2	20,500*
	160	52.8	26,150	54.1	24,950*	55.3	19,740*
	170	49.8	23,640	51.2	23,640	52.3	19,130*
	180	46.7	21,430	48.1	21,440	49.1	18,550*
	190	43.5	19,470	44.8	19,470	45.8	18,080*
	200	40.0	17,730	41.3	17,740	42.2	17,720*
	210	36.2	16,170	37.5	16,180	38.3	16,200

Boom length	Jib Radius (Feet)	5.0 Deg offset		15.0 Deg offset		25.0 Deg offset	
		Boom Angle	Rating (Pounds)	Boom Angle	Rating (Pounds)	Boom Angle	Rating (Pounds)
	45	81.9	32,000*	-	-	-	-
	50	80.8	32,000*	-	-	-	-
	60	78.6	32,000*	80.1	32,000*	81.4	32,000*
	70	76.3	32,000*	77.8	32,000*	79.1	31,000*
	80	74.1	32,000*	75.5	32,000*	76.8	29,160*
	90	71.8	32,000*	73.2	32,000*	74.5	27,440*
<b>220' (67.1 m)</b>	100	69.4	32,000*	70.9	32,000*	72.2	26,050*
	110	67.1	32,000*	68.5	32,000*	69.8	24,670*
	120	64.7	32,000*	66.1	31,910*	67.3	23,520*
	130	62.2	32,000*	63.6	29,980*	64.8	22,510*
	140	59.7	31,800	61.1	28,360*	62.3	21,630*
	150	57.1	28,480	58.4	26,850*	59.6	20,770*
	160	54.4	25,600	55.8	25,600	56.9	20,070*
	170	51.7	23,080	53.0	23,090	54.1	19,450*
	180	48.8	20,860	50.1	20,870	51.1	18,910*
	190	45.8	18,910	47.0	18,920	48.1	18,360*
	200	42.6	17,170	43.8	17,180	44.8	17,190
	210	39.2	15,600	40.4	15,610	41.3	15,630
	220	35.5	14,200	36.7	14,210	37.5	14,220

	47	81.8	32,000*	-	-	-	-
	50	81.2	32,000*	-	-	-	-
	60	79.0	32,000*	80.4	32,000*	81.7	32,000*
	70	76.9	32,000*	78.3	32,000*	79.6	31,380*
	80	74.7	32,000*	76.1	32,000*	77.4	29,500*
	90	72.5	32,000*	73.9	32,000*	75.1	27,790*
<b>230' (70.1 m)</b>	100	70.2	32,000*	71.6	32,000*	72.9	26,310*
	110	68.0	32,000*	69.3	32,000*	70.6	25,090*
	120	65.7	32,000*	67.0	32,000*	68.2	23,870*
	130	63.3	32,000*	64.7	30,760*	65.8	22,850*
	140	60.9	31,470	62.2	29,060*	63.4	21,960*
	150	58.5	28,140	59.8	27,570*	60.9	21,130*
	160	55.9	25,260	57.2	25,270	58.3	20,400*
	170	53.3	22,760	54.6	22,760	55.7	19,770*
	180	50.6	20,540	51.9	20,550	52.9	19,160*
	190	47.8	18,570	49.1	18,580	50.1	18,590
	200	44.9	16,830	46.1	16,840	47.0	16,850
	210	41.7	15,260	42.9	15,270	43.8	15,280
	220	38.4	13,860	39.6	13,870	40.4	13,880
	230	34.8	12,590	35.9	12,600	36.7	12,620

	48	81.9	32,000*	-	-	-	-
	50	81.5	32,000*	-	-	-	-
	60	79.4	32,000*	80.8	32,000*	-	-
	70	77.3	32,000*	78.7	32,000*	79.9	31,640*
	80	75.2	32,000*	76.6	32,000*	77.8	29,840*
	90	73.1	32,000*	74.4	32,000*	75.7	28,170*
	100	71.0	32,000*	72.3	32,000*	73.5	26,690*
	110	68.8	32,000*	70.1	32,000*	71.3	25,370*
	120	66.6	32,000*	67.9	32,000*	69.1	24,250*
	130	64.3	32,000*	65.6	31,430*	66.8	23,200*
<b>240' (73.2 m)</b>	140	62.0	30,950	63.3	29,770*	64.5	22,320*
	150	59.7	27,610	61.0	27,620	62.1	21,460*
	160	57.3	24,730	58.6	24,740	59.6	20,770*
	170	54.8	22,220	56.1	22,220	57.1	20,070*
	180	52.3	20,000	53.5	20,010	54.5	19,440*
	190	49.6	18,040	50.9	18,050	51.8	18,060
	200	46.9	16,280	48.1	16,290	49.0	16,300
	210	44.0	14,720	45.2	14,730	46.1	14,740
	220	40.9	13,300	42.1	13,310	43.0	13,330
	230	37.7	12,030	38.8	12,040	39.6	12,060
	240	34.2	10,880	35.2	10,890	36.0	10,910



## With 92HI Offset Tip Boom and 195,000 Pound Counterweight, 16HL Jib

195 klb + 64 klb CB 

360°

ANSI B 30.5  
DIN/ISO

### 40' (12.2 m) Jib length

Boom length	Jib Radius (Feet)	5.0 Deg offset		15.0 Deg offset		25.0 Deg offset	
		Boom Angle	Rating (Pounds)	Boom Angle	Rating (Pounds)	Boom Angle	Rating (Pounds)
	49	82.0	32,000*	-	-	-	-
	50	81.8	32,000*	-	-	-	-
	60	79.8	32,000*	81.1	32,000*	-	-
	70	77.8	32,000*	79.1	32,000*	80.3	32,000*
	80	75.7	32,000*	77.0	32,000*	78.3	30,190*
	90	73.7	32,000*	75.0	32,000*	76.2	28,550*
	100	71.6	32,000*	72.9	32,000*	74.1	27,060*
	110	69.6	32,000*	70.8	32,000*	72.0	25,740*
	120	67.4	32,000*	68.7	32,000*	69.8	24,560*
	130	65.3	32,000*	66.5	32,000*	67.7	23,590*
250' (76.2 m)	140	63.1	30,390	64.3	30,340*	65.4	22,600*
	150	60.9	27,050	62.1	27,060	63.2	21,770*
	160	58.6	24,170	59.8	24,170	60.8	21,050*
	170	56.2	21,650	57.4	21,660	58.5	20,400*
	180	53.8	19,430	55.0	19,440	56.0	19,450
	190	51.3	17,470	52.5	17,480	53.5	17,490
	200	48.7	15,710	49.9	15,720	50.8	15,730
	210	46.0	14,140	47.2	14,150	48.1	14,160
	220	43.2	12,720	44.3	12,730	45.2	12,740
	230	40.2	11,450	41.3	11,450	42.1	11,470
240	37.0	10,290	38.1	10,300	38.8	10,310	
250	33.5	9,230	34.6	9,240	35.2	9,260	

	51	81.9	32,000*	-	-	-	-
	60	80.1	32,000*	81.4	32,000*	-	-
	70	78.2	32,000*	79.4	32,000*	80.6	32,000*
	80	76.2	32,000*	77.5	32,000*	78.7	30,420*
	90	74.3	32,000*	75.5	32,000*	76.7	28,790*
	100	72.3	32,000*	73.5	32,000*	74.7	27,420*
	110	70.3	32,000*	71.5	32,000*	72.6	26,050*
	120	68.2	32,000*	69.5	32,000*	70.6	24,950*
	130	66.2	32,000*	67.4	32,000*	68.5	23,860*
	140	64.1	29,850	65.3	29,860	66.3	22,930*
260' (79.2 m)	150	61.9	26,520	63.1	26,520	64.2	22,100*
	160	59.7	23,630	60.9	23,640	61.9	21,370*
	170	57.5	21,110	58.7	21,120	59.7	20,660*
	180	55.2	18,890	56.4	18,890	57.3	18,900
	190	52.8	16,920	54.0	16,930	54.9	16,940
	200	50.4	15,170	51.5	15,170	52.4	15,190
	210	47.8	13,590	49.0	13,600	49.9	13,610
	220	45.2	12,170	46.3	12,180	47.2	12,200
	230	42.4	10,890	43.5	10,900	44.3	10,920
	240	39.5	9,730	40.5	9,740	41.3	9,750
250	36.4	8,670	37.4	8,680	38.1	8,700	
260	33.0	7,710	33.9	7,720	34.6	7,740	

Boom length	Jib Radius (Feet)	5.0 Deg offset		15.0 Deg offset		25.0 Deg offset	
		Boom Angle	Rating (Pounds)	Boom Angle	Rating (Pounds)	Boom Angle	Rating (Pounds)
	52	81.9	32,000*	-	-	-	-
	60	80.4	32,000*	81.7	32,000*	-	-
	70	78.6	32,000*	79.8	32,000*	80.9	32,000*
	80	76.7	32,000*	77.9	32,000*	79.0	30,770*
	90	74.8	32,000*	76.0	32,000*	77.1	29,160*
	100	72.9	32,000*	74.1	32,000*	75.2	27,660*
	110	70.9	32,000*	72.1	32,000*	73.2	26,420*
	120	69.0	32,000*	70.2	32,000*	71.2	25,190*
	130	67.0	32,000*	68.2	32,000*	69.2	24,180*
	140	64.9	29,310	66.1	29,320	67.2	23,310*
270' (82.3 m)	150	62.9	25,970	64.1	25,980	65.1	22,390*
	160	60.8	23,090	62.0	23,100	63.0	21,610*
	170	58.7	20,570	59.8	20,570	60.8	20,590
	180	56.5	18,350	57.6	18,350	58.6	18,370
	190	54.2	16,370	55.3	16,380	56.3	16,390
	200	51.9	14,620	53.0	14,620	53.9	14,640
	210	49.5	13,040	50.6	13,040	51.5	13,060
	220	47.0	11,620	48.1	11,630	48.9	11,640
	230	44.4	10,340	45.5	10,340	46.3	10,360
	240	41.7	9,170	42.7	9,170	43.5	9,190
250	38.8	8,100	39.8	8,110	40.6	8,130	
260	35.7	7,140	36.7	7,150	37.4	7,160	
270	32.4	6,250	33.4	6,260	33.9	6,280	

	54	81.8	32,000*	-	-	-	-
	60	80.7	32,000*	81.9	32,000*	-	-
	70	78.9	32,000*	80.1	32,000*	81.2	32,000*
	80	77.1	32,000*	78.3	32,000*	79.4	30,960*
	90	75.3	32,000*	76.4	32,000*	77.5	29,370*
	100	73.4	32,000*	74.6	32,000*	75.7	27,940*
	110	71.5	32,000*	72.7	32,000*	73.8	26,660*
	120	69.6	32,000*	70.8	32,000*	71.8	25,520*
	130	67.7	32,000*	68.9	32,000*	69.9	24,480*
	140	65.8	28,950	66.9	28,950	67.9	23,600*
280' (85.3 m)	150	63.8	25,610	64.9	25,620	65.9	22,670*
	160	61.8	22,730	62.9	22,730	63.9	21,970*
	170	59.7	20,200	60.9	20,210	61.8	20,220
	180	57.6	17,980	58.7	17,990	59.7	18,000
	190	55.5	16,010	56.6	16,020	57.5	16,030
	200	53.3	14,250	54.4	14,250	55.3	14,270
	210	51.0	12,680	52.1	12,680	53.0	12,690
	220	48.7	11,260	49.7	11,260	50.6	11,280
	230	46.2	9,970	47.3	9,980	48.1	9,990
	240	43.7	8,800	44.7	8,800	45.5	8,820
250	41.0	7,730	42.0	7,740	42.7	7,750	
260	38.2	6,760	39.2	6,770	39.8	6,780	
270	35.1	5,870	36.1	5,880	36.7	5,900	
280	31.9	4,680*	32.8	4,940*	33.3	5,090	





**195 klb + 64 klb CB**

**360°**

**ANSI B 30.5  
DIN/ISO**

**40' (12.2 m) Jib length**

Boom length	Jib Radius (Feet)	5.0 Deg offset		15.0 Deg offset		25.0 Deg offset	
		Boom Angle	Rating (Pounds)	Boom Angle	Rating (Pounds)	Boom Angle	Rating (Pounds)
	55	81.9	32,000*	-	-	-	-
	60	81.0	32,000*	-	-	-	-
	70	79.3	32,000*	80.4	32,000*	81.5	32,000*
	80	77.5	32,000*	78.6	32,000*	79.7	31,320*
	90	75.7	32,000*	76.9	32,000*	77.9	29,730*
	100	73.9	32,000*	75.1	32,000*	76.1	28,280*
	110	72.1	32,000*	73.2	32,000*	74.3	26,990*
	120	70.3	32,000*	71.4	32,000*	72.4	25,780*
	130	68.4	32,000*	69.6	32,000*	70.6	24,810*
	140	66.6	28,430	67.7	28,430	68.7	23,830*
	150	64.7	25,090	65.8	25,090	66.7	22,970*
	160	62.7	22,200	63.8	22,210	64.8	22,210*
<b>290' (88.4 m)</b>	170	60.7	19,680	61.8	19,680	62.8	19,700
	180	58.7	17,450	59.8	17,450	60.7	17,460
	190	56.7	15,480	57.7	15,480	58.7	15,490
	200	54.6	13,720	55.6	13,730	56.5	13,740
	210	52.4	12,130	53.5	12,140	54.3	12,150
	220	50.2	10,710	51.2	10,720	52.1	10,730
	230	47.9	9,420	48.9	9,430	49.7	9,450
	240	45.5	8,250	46.5	8,260	47.3	8,270
	250	43.0	7,190	44.0	7,200	44.7	7,210
	260	40.3	6,210	41.3	6,220	42.0	6,240
	270	37.6	5,210*	38.5	5,330	39.2	5,350
	280	34.6	4,010*	35.5	4,270*	36.1	4,460*
	290	31.4	2,830*	32.2	3,080*	32.8	3,240*

Boom length	Jib Radius (Feet)	5.0 Deg offset		15.0 Deg offset		25.0 Deg offset	
		Boom Angle	Rating (Pounds)	Boom Angle	Rating (Pounds)	Boom Angle	Rating (Pounds)
	56	82.0	32,000*	-	-	-	-
	60	81.3	32,000*	-	-	-	-
	70	79.6	32,000*	80.7	32,000*	81.8	32,000*
	80	77.9	32,000*	79.0	32,000*	80.0	31,530*
	90	76.1	32,000*	77.3	32,000*	78.3	29,940*
	100	74.4	32,000*	75.5	32,000*	76.5	28,470*
	110	72.7	32,000*	73.8	32,000*	74.8	27,250*
	120	70.9	32,000*	72.0	32,000*	73.0	26,170*
	130	69.1	31,790	70.2	31,790	71.2	25,030*
	140	67.3	27,890	68.4	27,890	69.3	24,090*
	150	65.4	24,540	66.5	24,540	67.5	23,320*
	160	63.6	21,650	64.6	21,660	65.6	21,670
<b>300' (91.4 m)</b>	170	61.7	19,120	62.7	19,130	63.7	19,140
	180	59.8	16,890	60.8	16,900	61.7	16,910
	190	57.8	14,920	58.8	14,930	59.7	14,940
	200	55.8	13,150	56.8	13,160	57.7	13,170
	210	53.7	11,580	54.7	11,580	55.6	11,590
	220	51.6	10,150	52.6	10,160	53.4	10,170
	230	49.4	8,850	50.4	8,860	51.2	8,870
	240	47.1	7,680	48.1	7,690	48.9	7,710
	250	44.8	6,610	45.7	6,620	46.5	6,630
	260	42.3	5,560*	43.3	5,640	44.0	5,650
	270	39.7	4,360*	40.7	4,640*	41.3	4,760
	280	37.0	3,210*	37.9	3,480*	38.5	3,670*

**50' (15.2 m) Jib length**

Boom length	Jib Radius (Feet)	5.0 Deg offset		15.0 Deg offset		25.0 Deg offset	
		Boom Angle	Rating (Pounds)	Boom Angle	Rating (Pounds)	Boom Angle	Rating (Pounds)
	35	81.8	32,000*	-	-	-	-
	40	80.2	32,000*	-	-	-	-
	50	77.0	31,320*	79.6	28,880*	-	-
	60	73.7	30,180*	76.3	27,950*	78.8	25,020*
<b>130' (39.6 m)</b>	70	70.4	29,140*	73.0	27,200*	75.4	22,960*
	80	66.9	28,190*	69.5	26,560*	71.9	21,180*
	90	63.4	27,440*	66.0	25,820*	68.3	19,660*
	100	59.8	26,620*	62.3	23,700*	64.6	18,410*
	110	56.0	26,010*	58.5	21,930*	60.7	17,400*
	120	52.1	24,520*	54.5	20,470*	56.6	16,470*
	130	47.9	22,710*	50.3	19,200*	52.3	15,710*
	36	81.9	32,000*	-	-	-	-
	40	80.7	32,000*	-	-	-	-
	50	77.7	31,450*	80.2	28,930*	-	-
	60	74.6	30,350*	77.1	28,110*	79.4	25,490*
<b>140' (42.7 m)</b>	70	71.4	29,470*	73.9	27,330*	76.2	23,390*
	80	68.2	28,510*	70.7	26,690*	72.9	21,640*
	90	64.9	27,640*	67.4	26,040*	69.6	20,140*
	100	61.6	26,990*	63.9	24,490*	66.1	18,890*
	110	58.1	26,240*	60.4	22,680*	62.5	17,780*
	120	54.4	25,650*	56.7	21,180*	58.8	16,890*
	130	50.6	23,830*	52.9	19,910*	54.8	16,120*
	140	46.5	22,230*	48.8	18,780*	50.6	15,450*

Boom length	Jib Radius (Feet)	5.0 Deg offset		15.0 Deg offset		25.0 Deg offset	
		Boom Angle	Rating (Pounds)	Boom Angle	Rating (Pounds)	Boom Angle	Rating (Pounds)
	38	81.8	32,000*	-	-	-	-
	40	81.2	32,000*	-	-	-	-
	50	78.3	31,720*	80.7	29,000*	-	-
	60	75.4	30,630*	77.7	28,270*	80.0	25,820*
<b>150' (45.7 m)</b>	70	72.4	29,660*	74.7	27,530*	76.9	23,800*
	80	69.4	28,820*	71.7	26,870*	73.8	22,000*
	90	66.3	27,930*	68.6	26,290*	70.7	20,510*
	100	63.1	27,250*	65.4	25,310*	67.4	19,300*
	110	59.8	26,600*	62.1	23,480*	64.1	18,240*
	120	56.4	26,010*	58.7	21,900*	60.6	17,300*
	130	52.9	24,810*	55.1	20,570*	57.0	16,510*
	140	49.2	23,190*	51.4	19,400*	53.2	15,760*
	150	45.2	21,780*	47.4	18,400*	49.1	15,230*
	39	81.9	32,000*	-	-	-	-
	40	81.6	32,000*	-	-	-	-
	50	78.9	31,880*	81.1	29,090*	-	-
	60	76.1	30,800*	78.3	28,270*	80.5	26,160*
	70	73.2	29,820*	75.5	27,610*	77.6	24,160*
	80	70.4	29,050*	72.6	26,970*	74.7	22,430*
<b>160' (48.8 m)</b>	90	67.5	28,160*	69.7	26,430*	71.7	20,930*
	100	64.5	27,500*	66.7	25,900*	68.6	19,710*
	110	61.4	26,840*	63.6	24,200*	65.5	18,580*
	120	58.2	26,190*	60.4	22,630*	62.3	17,670*
	130	55.0	25,700*	57.1	21,260*	58.9	16,840*
	140	51.5	24,160*	53.6	20,050*	55.4	16,140*
	150	47.9	22,670*	50.0	18,980*	51.7	15,490*
	160	44.1	21,300*	46.1	18,100*	47.7	14,990*



HC 275



## With 92HI Offset Tip Boom and 195,000 Pound Counterweight, 16HL Jib

195 klb + 64 klb CB 

360°

ANSI B 30.5  
DIN/ISO

50' (15.2 m) Jib length

Boom length	Jib Radius (Feet)	5.0 Deg offset		15.0 Deg offset		25.0 Deg offset		Boom length	Jib Radius (Feet)	5.0 Deg offset		15.0 Deg offset		25.0 Deg offset		
		Boom Angle	Rating (Pounds)	Boom Angle	Rating (Pounds)	Boom Angle	Rating (Pounds)			Boom Angle	Rating (Pounds)	Boom Angle	Rating (Pounds)	Boom Angle	Rating (Pounds)	
170' (51.8 m)	40	82.0	32,000*	-	-	-	-	210' (64.0 m)	46	81.9	32,000*	-	-	-	-	
	50	79.4	31,920*	81.5	29,150*	-	-		50	81.0	32,000*	-	-	-	-	
	60	76.7	30,970*	78.9	28,390*	80.9	26,390*		60	78.8	31,360*	80.6	28,540*	-	-	
	70	74.0	30,100*	76.2	27,700*	78.2	24,420*		70	76.5	30,590*	78.4	27,920*	80.1	25,680*	
	80	71.3	29,230*	73.4	27,060*	75.4	22,790*		80	74.3	29,860*	76.1	27,450*	77.8	24,000*	
	90	68.5	28,430*	70.6	26,480*	72.6	21,300*		90	72.0	29,110*	73.8	26,880*	75.4	22,570*	
	100	65.7	27,710*	67.8	26,010*	69.7	20,030*		100	69.6	28,410*	71.4	26,440*	73.1	21,320*	
	110	62.8	27,110*	64.9	24,930*	66.7	18,960*		110	67.3	27,840*	69.0	25,970*	70.6	20,270*	
	120	59.8	26,440*	61.9	23,300*	63.7	17,990*		120	64.9	27,250*	66.6	25,580*	68.2	19,290*	
	130	56.8	25,920*	58.8	21,900*	60.6	17,200*		130	62.4	26,690*	64.1	24,290*	65.7	18,480*	
	140	53.6	25,160*	55.6	20,710*	57.3	16,490*		140	59.9	26,230*	61.6	22,980*	63.1	17,690*	
	150	50.2	23,590*	52.2	19,620*	53.9	15,850*		150	57.3	25,750*	59.0	21,790*	60.5	17,030*	
	160	46.7	22,190*	48.7	18,650*	50.3	15,270*		160	54.6	25,390*	56.3	20,780*	57.7	16,420*	
	170	43.0	21,000*	44.9	17,830*	46.4	14,800*		170	51.8	23,950	53.5	19,830*	54.9	15,840*	
		42	81.8	32,000*	-	-	-		-	180	49.0	21,740	50.6	19,020*	52.0	15,360*
		50	79.8	32,000*	81.9	29,100*	-		-	190	45.9	19,790	47.6	18,270*	48.9	14,940*
		60	77.3	31,060*	79.4	28,450*	81.3		26,390*	200	42.8	18,040	44.3	17,630*	45.6	14,580*
	70	74.7	30,240*	76.8	27,760*	78.7	24,750*	210	39.4	16,480	40.9	16,490	42.1	14,290*		
180' (54.9 m)	80	72.1	29,390*	74.2	27,130*	76.1	23,150*	220' (67.1 m)	47	82.0	32,000*	-	-	-	-	
	90	69.5	28,580*	71.5	26,660*	73.4	21,650*		50	81.3	32,000*	-	-	-	-	
	100	66.8	27,930*	68.8	26,120*	70.7	20,390*		60	79.2	31,420*	81.0	28,520*	-	-	
	110	64.1	27,270*	66.1	25,670*	67.9	19,300*		70	77.0	30,750*	78.8	27,970*	80.4	25,850*	
	120	61.3	26,700*	63.3	23,980*	65.0	18,380*		80	74.9	29,950*	76.6	27,480*	78.2	24,260*	
	130	58.4	26,150*	60.3	22,510*	62.1	17,550*		90	72.6	29,210*	74.4	26,920*	76.0	22,850*	
	140	55.4	25,600*	57.3	21,300*	59.0	16,800*		100	70.4	28,660*	72.1	26,510*	73.7	21,650*	
	150	52.3	24,420*	54.2	20,190*	55.8	16,150*		110	68.1	27,990*	69.9	26,050*	71.4	20,520*	
	160	49.1	22,980*	50.9	19,200*	52.5	15,580*		120	65.8	27,450*	67.5	25,630*	69.1	19,620*	
	170	45.6	21,740*	47.5	18,350*	49.0	15,080*		130	63.5	26,900*	65.2	24,860*	66.7	18,700*	
	180	42.0	20,700*	43.8	17,610*	45.2	14,660*		140	61.1	26,370*	62.8	23,560*	64.2	17,920*	
		43	81.9	32,000*	-	-	-		-	150	58.6	26,000*	60.3	22,370*	61.7	17,300*
		50	80.3	32,000*	-	-	-		-	160	56.1	25,530*	57.7	21,240*	59.2	16,690*
		60	77.8	31,130*	79.8	28,510*	81.7		26,360*	170	53.5	23,410	55.1	20,330*	56.5	16,080*
		70	75.4	30,280*	77.4	27,860*	79.2		25,130*	180	50.8	21,190	52.4	19,430*	53.7	15,620*
		80	72.9	29,550*	74.9	27,230*	76.7		23,410*	190	48.0	19,220	49.6	18,700*	50.8	15,160*
		90	70.4	28,840*	72.3	26,730*	74.1		21,980*	200	45.0	17,480	46.6	17,490	47.8	14,800*
	100	67.8	28,150*	69.8	26,210*	71.5	20,720*	210	41.9	15,910	43.4	15,920	44.6	14,500*		
	110	65.2	27,510*	67.2	25,790*	68.9	19,640*	220	38.6	14,510	40.1	14,520	41.2	14,210*		
190' (57.9 m)	120	62.6	26,880*	64.5	24,580*	66.2	18,720*	230' (70.1 m)	49	81.9	32,000*	-	-	-	-	
	130	59.9	26,300*	61.7	23,160*	63.4	17,830*		50	81.7	32,000*	-	-	-	-	
	140	57.0	25,890*	58.9	21,860*	60.5	17,100*		60	79.6	31,420*	81.3	28,460*	-	-	
	150	54.1	25,320*	56.0	20,710*	57.5	16,410*		70	77.5	30,750*	79.2	28,040*	80.8	25,860*	
	160	51.1	23,860*	52.9	19,750*	54.4	15,870*		80	75.4	30,010*	77.1	27,490*	78.7	24,490*	
	170	48.0	22,550*	49.7	18,860*	51.2	15,330*		90	73.3	29,290*	75.0	27,050*	76.5	23,100*	
	180	44.6	21,370*	46.4	18,070*	47.8	14,890*		100	71.1	28,680*	72.8	26,550*	74.3	21,880*	
	190	41.1	20,380*	42.8	17,380*	44.1	14,540*		110	69.0	28,150*	70.6	26,140*	72.1	20,850*	
		45	81.8	32,000*	-	-	-		-	120	66.8	27,530*	68.4	25,750*	69.9	19,840*
		50	80.6	32,000*	-	-	-		-	130	64.5	27,030*	66.1	25,340*	67.6	19,000*
		60	78.3	31,310*	80.2	28,520*	-		-	140	62.2	26,560*	63.8	24,060*	65.3	18,260*
		70	76.0	30,430*	77.9	27,950*	79.6		25,400*	150	59.9	26,100*	61.5	22,870*	62.9	17,510*
		80	73.6	29,640*	75.5	27,320*	77.2		23,740*	160	57.5	25,570	59.1	21,790*	60.4	16,940*
		90	71.2	28,940*	73.1	26,770*	74.8		22,270*	170	55.0	23,070	56.6	20,810*	57.9	16,320*
		100	68.8	28,280*	70.6	26,380*	72.3		21,100*	180	52.5	20,850	54.0	19,930*	55.3	15,820*
		110	66.3	27,700*	68.1	25,870*	69.8		20,010*	190	49.8	18,890	51.3	18,900	52.6	15,380*
		120	63.8	27,040*	65.6	25,240*	67.2		19,010*	200	47.1	17,130	48.6	17,140	49.8	15,010*
	130	61.2	26,570*	63.0	23,730*	64.6	18,130*	210	44.2	15,570	45.7	15,580	46.8	14,650*		
	140	58.5	26,100*	60.3	22,430*	61.9	17,410*	220	41.1	14,160	42.6	14,170	43.7	14,190		
	150	55.8	25,620*	57.6	21,240*	59.1	16,730*	230	37.9	12,880	39.3	12,890	40.3	12,910		
	160	53.0	24,640*	54.7	20,290*	56.2	16,160*									
	170	50.0	23,340*	51.7	19,380*	53.2	15,600*									
	180	46.9	22,100*	48.6	18,530*	50.0	15,150*									
	190	43.7	20,350	45.3	17,840*	46.6	14,760*									
	200	40.2	18,600	41.8	17,220*	43.0	14,400*									

**195 klb + 64 klb CB**

**360°**

**ANSI B 30.5  
DIN/ISO**

**50' (15.2 m) Jib length**

Boom length	Jib Radius (Feet)	5.0 Deg offset		15.0 Deg offset		25.0 Deg offset	
		Boom Angle	Rating (Pounds)	Boom Angle	Rating (Pounds)	Boom Angle	Rating (Pounds)
	50	81.9	32,000*	-	-	-	-
	60	79.9	31,500*	81.6	28,480*	-	-
	70	77.9	30,750*	79.6	28,030*	81.1	25,920*
	80	75.9	30,090*	77.5	27,510*	79.1	24,770*
	90	73.9	29,380*	75.5	27,080*	77.0	23,350*
	100	71.8	28,790*	73.4	26,580*	74.9	22,200*
	110	69.7	28,270*	71.3	26,200*	72.8	21,130*
	120	67.6	27,660*	69.2	25,820*	70.6	20,100*
240' (73.2 m)	130	65.4	27,230*	67.0	25,410*	68.4	19,260*
	140	63.3	26,730*	64.8	24,580*	66.2	18,470*
	150	61.0	26,220*	62.6	23,360*	63.9	17,790*
	160	58.7	25,050	60.3	22,300*	61.6	17,170*
	170	56.4	22,530	57.9	21,290*	59.2	16,560*
	180	54.0	20,310	55.5	20,320	56.8	16,050*
	190	51.5	18,350	53.0	18,360	54.2	15,600*
	200	48.9	16,600	50.4	16,610	51.6	15,230*
	210	46.2	15,020	47.6	15,030	48.8	14,840*
	220	43.4	13,610	44.8	13,620	45.9	13,640
	230	40.4	12,340	41.8	12,350	42.8	12,360
	240	37.2	11,180	38.5	11,190	39.5	11,210

	52	81.8	32,000*	-	-	-	-
	60	80.3	31,550*	81.9	28,510*	-	-
	70	78.3	30,930*	79.9	28,010*	81.4	25,860*
	80	76.4	30,140*	78.0	27,530*	79.4	25,010*
	90	74.4	29,570*	76.0	27,090*	77.5	23,660*
	100	72.4	28,990*	74.0	26,720*	75.4	22,400*
	110	70.4	28,370*	72.0	26,230*	73.4	21,340*
	120	68.4	27,810*	69.9	25,860*	71.3	20,400*
	130	66.3	27,330*	67.8	25,560*	69.2	19,510*
	140	64.2	26,900*	65.7	25,070*	67.1	18,700*
250' (76.2 m)	150	62.1	26,420*	63.6	23,860*	64.9	18,050*
	160	59.9	24,480	61.4	22,750*	62.7	17,400*
	170	57.6	21,960	59.1	21,710*	60.4	16,790*
	180	55.3	19,750	56.8	19,750	58.1	16,340*
	190	53.0	17,780	54.4	17,790	55.7	15,820*
	200	50.5	16,030	52.0	16,040	53.2	15,430*
	210	48.0	14,450	49.4	14,460	50.6	14,470
	220	45.4	13,040	46.7	13,040	47.8	13,060
	230	42.6	11,760	43.9	11,760	45.0	11,780
	240	39.6	10,590	41.0	10,600	42.0	10,620
	250	36.5	9,530	37.8	9,540	38.7	9,560

	53	81.9	32,000*	-	-	-	-
	60	80.6	31,550*	-	-	-	-
	70	78.7	30,900*	80.3	27,990*	81.7	25,870*
	80	76.8	30,200*	78.4	27,560*	79.8	25,250*
	90	74.9	29,650*	76.5	27,100*	77.9	23,870*
	100	73.0	28,990*	74.5	26,750*	75.9	22,670*
	110	71.1	28,450*	72.6	26,260*	74.0	21,570*
	120	69.1	27,890*	70.6	25,880*	72.0	20,630*
	130	67.1	27,430*	68.6	25,520*	69.9	19,800*
	140	65.1	27,030*	66.6	25,210*	67.9	18,990*
260' (79.2 m)	150	63.0	26,560*	64.5	24,390*	65.8	18,250*
	160	61.0	23,940	62.4	23,180*	63.7	17,610*
	170	58.8	21,420	60.3	21,420	61.5	17,080*
	180	56.6	19,200	58.0	19,210	59.3	16,490*
	190	54.4	17,230	55.8	17,240	57.0	16,030*
	200	52.0	15,480	53.4	15,490	54.6	15,500
	210	49.7	13,900	51.0	13,900	52.2	13,920
	220	47.2	12,480	48.5	12,490	49.6	12,500
	230	44.6	11,200	45.9	11,200	47.0	11,220
	240	41.8	10,030	43.2	10,040	44.2	10,050
	250	39.0	8,960	40.3	8,970	41.2	8,990
	260	35.9	8,000	37.1	8,010	38.0	8,030

Boom length	Jib Radius (Feet)	5.0 Deg offset		15.0 Deg offset		25.0 Deg offset	
		Boom Angle	Rating (Pounds)	Boom Angle	Rating (Pounds)	Boom Angle	Rating (Pounds)
	54	82.0	31,970*	-	-	-	-
	60	80.9	31,620*	-	-	-	-
	70	79.1	30,990*	80.6	27,980*	82.0	25,820*
	80	77.3	30,250*	78.7	27,580*	80.1	25,450*
	90	75.4	29,720*	76.9	27,100*	78.3	24,060*
	100	73.6	29,040*	75.0	26,760*	76.4	22,860*
	110	71.7	28,490*	73.2	26,290*	74.5	21,850*
	120	69.8	28,060*	71.2	25,990*	72.6	20,820*
	130	67.9	27,560*	69.3	25,640*	70.6	20,010*
	140	65.9	27,070*	67.4	25,270*	68.6	19,230*
270' (82.3 m)	150	64.0	26,290	65.4	24,770*	66.6	18,490*
	160	61.9	23,410	63.4	23,410	64.6	17,830*
	170	59.9	20,870	61.3	20,880	62.5	17,250*
	180	57.8	18,650	59.2	18,660	60.4	16,710*
	190	55.6	16,680	57.0	16,690	58.2	16,250*
	200	53.4	14,930	54.8	14,940	55.9	14,950
	210	51.2	13,350	52.5	13,350	53.6	13,370
	220	48.8	11,930	50.1	11,930	51.2	11,950
	230	46.4	10,640	47.7	10,650	48.7	10,660
	240	43.8	9,470	45.1	9,480	46.1	9,490
	250	41.2	8,400	42.4	8,410	43.4	8,430
	260	38.3	7,430	39.6	7,440	40.4	7,460
	270	35.3	6,540	36.5	6,550	37.3	6,570

	56	81.9	31,660*	-	-	-	-
	60	81.2	31,490*	-	-	-	-
	70	79.4	30,900*	80.9	27,920*	-	-
	80	77.7	30,240*	79.1	27,470*	80.4	25,370*
	90	75.9	29,630*	77.3	27,080*	78.6	24,320*
	100	74.1	29,080*	75.5	26,650*	76.8	23,150*
	110	72.3	28,540*	73.7	26,300*	75.0	22,050*
	120	70.4	28,010*	71.8	25,890*	73.1	21,120*
	130	68.6	27,510*	70.0	25,550*	71.3	20,180*
	140	66.7	27,090*	68.1	25,310*	69.3	19,470*
280' (85.3 m)	150	64.8	25,920	66.2	24,960*	67.4	18,750*
	160	62.9	23,030	64.2	23,040	65.5	18,070*
	170	60.9	20,510	62.3	20,520	63.4	17,460*
	180	58.9	18,290	60.2	18,290	61.4	16,920*
	190	56.8	16,320	58.2	16,320	59.3	16,340
	200	54.7	14,560	56.0	14,570	57.2	14,580
	210	52.6	12,980	53.9	12,980	55.0	13,000
	220	50.3	11,550	51.6	11,560	52.7	11,580
	230	48.0	10,260	49.3	10,270	50.3	10,290
	240	45.6	9,090	46.9	9,100	47.9	9,120
	250	43.1	8,030	44.4	8,040	45.3	8,060
	260	40.5	7,050	41.7	7,060	42.6	7,080
	270	37.7	6,160	38.9	6,170	39.7	6,190
	280	34.7	5,230*	35.9	5,360	36.7	5,380



HC 275

**35**



## With 92HI Offset Tip Boom and 195,000 Pound Counterweight, 16HL Jib

195 klb + 64 klb CB



360°

ANSI B 30.5

DIN/ISO

### 50' (15.2 m) Jib length

Boom length	Jib Radius (Feet)	5.0 Deg offset		15.0 Deg offset		25.0 Deg offset		Boom length	Jib Radius (Feet)	5.0 Deg offset		15.0 Deg offset		25.0 Deg offset	
		Boom Angle	Rating (Pounds)	Boom Angle	Rating (Pounds)	Boom Angle	Rating (Pounds)			Boom Angle	Rating (Pounds)	Boom Angle	Rating (Pounds)	Boom Angle	Rating (Pounds)
	57	81.9	31,620*	-	-	-	-		59	81.8	31,440*	-	-	-	-
	60	81.4	31,390*	-	-	-	-		60	81.7	31,440*	-	-	-	-
	70	79.7	30,860*	81.1	27,830*	-	-		70	80.0	30,790*	81.4	27,880*	-	-
	80	78.0	30,160*	79.4	27,420*	80.7	25,250*		80	78.4	30,320*	79.7	27,430*	81.0	25,220*
	90	76.3	29,590*	77.7	27,070*	79.0	24,510*		90	76.7	29,690*	78.0	27,070*	79.3	24,680*
	100	74.6	29,120*	75.9	26,650*	77.2	23,320*		100	75.0	29,120*	76.4	26,730*	77.6	23,480*
	110	72.8	28,570*	74.2	26,280*	75.4	22,250*		110	73.3	28,710*	74.6	26,340*	75.9	22,480*
	120	71.0	28,030*	72.4	25,980*	73.7	21,260*		120	71.6	28,190*	72.9	25,910*	74.1	21,500*
	130	69.2	27,550*	70.6	25,530*	71.8	20,470*		130	69.9	27,730*	71.2	25,590*	72.4	20,620*
	140	67.4	27,100*	68.8	25,280*	70.0	19,640*		140	68.1	27,280*	69.4	25,320*	70.6	19,860*
	150	65.6	25,400*	66.9	24,930*	68.1	18,920*		150	66.3	24,850*	67.6	24,850*	68.8	19,180*
	160	63.7	22,510	65.1	22,520	66.2	18,290*		160	64.5	21,960	65.8	21,960	67.0	18,500*
290' (88.4 m)	170	61.8	19,990	63.2	19,990	64.3	17,670*	300' (91.4 m)	170	62.7	19,430	64.0	19,440	65.1	17,930*
	180	59.9	17,750	61.2	17,760	62.4	17,160*		180	60.8	17,200	62.1	17,200	63.2	17,220
	190	57.9	15,780	59.2	15,790	60.4	15,800		190	58.9	15,230	60.2	15,230	61.3	15,250
	200	55.9	14,020	57.2	14,030	58.3	14,040		200	57.0	13,460	58.3	13,460	59.4	13,480
	210	53.8	12,440	55.1	12,440	56.2	12,460		210	55.0	11,880	56.3	11,890	57.3	11,900
	220	51.7	11,010	53.0	11,020	54.0	11,040		220	53.0	10,450	54.2	10,460	55.3	10,480
	230	49.5	9,720	50.8	9,730	51.8	9,750		230	50.9	9,160	52.1	9,170	53.2	9,180
	240	47.3	8,550	48.5	8,560	49.5	8,580		240	48.8	7,980	50.0	7,990	51.0	8,010
	250	44.9	7,480	46.1	7,490	47.1	7,510		250	46.5	6,900	47.7	6,910	48.7	6,930
	260	42.4	6,500	43.6	6,510	44.6	6,530		260	44.2	5,910*	45.4	5,940	46.3	5,960
	270	39.9	5,610	41.0	5,620	41.9	5,640		270	41.8	4,750*	43.0	5,040	43.8	5,060
	280	37.1	4,480*	38.3	4,800	39.1	4,820		280	39.3	3,630*	40.4	3,970*	41.2	4,220*
290	34.2	3,360*	35.3	3,670*	36.0	3,890*	290	36.6	2,570*	37.7	2,890*	38.4	3,120*		

### 60' (18.3 m) Jib length

Boom length	Jib Radius (Feet)	5.0 Deg offset		15.0 Deg offset		25.0 Deg offset		Boom length	Jib Radius (Feet)	5.0 Deg offset		15.0 Deg offset		25.0 Deg offset	
		Boom Angle	Rating (Pounds)	Boom Angle	Rating (Pounds)	Boom Angle	Rating (Pounds)			Boom Angle	Rating (Pounds)	Boom Angle	Rating (Pounds)	Boom Angle	Rating (Pounds)
	40	81.8	30,030*	-	-	-	-		43	81.8	29,870*	-	-	-	-
	50	79.1	28,950*	81.8	26,180*	-	-		50	80.0	29,150*	-	-	-	-
	60	76.3	27,870*	79.0	25,360*	81.6	22,670*		60	77.5	28,190*	80.0	25,510*	-	-
	70	73.5	26,880*	76.2	24,650*	78.7	20,790*		70	75.0	27,200*	77.4	24,870*	79.8	21,340*
150' (45.7 m)	80	70.6	25,950*	73.3	24,000*	75.8	19,280*		80	72.4	26,360*	74.8	24,190*	77.1	19,850*
	90	67.7	25,120*	70.4	23,320*	72.8	17,970*		90	69.7	25,550*	72.2	23,560*	74.4	18,510*
	100	64.7	24,360*	67.3	22,130*	69.8	16,830*	170' (51.8 m)	100	67.0	24,870*	69.5	23,060*	71.7	17,410*
	110	61.6	23,680*	64.2	20,490*	66.6	15,840*		110	64.3	24,190*	66.7	21,630*	68.9	16,440*
	120	58.5	23,060*	61.1	19,080*	63.4	15,030*		120	61.5	23,520*	63.9	20,230*	66.0	15,590*
	130	55.2	21,770*	57.7	17,920*	60.0	14,290*		130	58.6	23,020*	61.0	19,010*	63.0	14,900*
140	51.8	20,300*	54.3	16,860*	56.4	13,670*	140		55.6	21,950*	57.9	17,920*	60.0	14,210*	
150	48.1	19,030*	50.6	15,990*	52.7	13,120*	150		52.5	20,520*	54.8	16,930*	56.8	13,670*	
	41	82.0	30,100*	-	-	-	-		160	49.3	19,280*	51.5	16,110*	53.4	13,150*
	50	79.6	29,040*	-	-	-	-		170	45.9	18,220*	48.1	15,360*	49.9	12,700*
	60	76.9	27,960*	79.5	25,480*	82.0	22,840*		44	81.9	29,770*	-	-	-	-
	70	74.3	27,100*	76.8	24,710*	79.3	21,050*		50	80.5	29,210*	-	-	-	-
	80	71.5	26,150*	74.1	24,050*	76.5	19,550*		60	78.0	28,160*	80.4	25,490*	-	-
	90	68.8	25,410*	71.3	23,490*	73.7	18,280*		70	75.6	27,270*	78.0	24,890*	80.2	21,580*
160' (48.8 m)	100	65.9	24,630*	68.5	22,760*	70.8	17,160*		80	73.1	26,450*	75.5	24,310*	77.7	20,130*
	110	63.0	23,910*	65.5	21,040*	67.8	16,160*		90	70.6	25,720*	72.9	23,710*	75.1	18,800*
	120	60.1	23,340*	62.5	19,690*	64.8	15,350*	180' (54.9 m)	100	68.1	25,010*	70.4	23,190*	72.5	17,680*
	130	57.0	22,620*	59.4	18,470*	61.6	14,590*		110	65.5	24,340*	67.8	22,220*	69.9	16,710*
	140	53.8	21,100*	56.2	17,420*	58.3	13,930*		120	62.8	23,770*	65.1	20,760*	67.1	15,880*
	150	50.5	19,730*	52.9	16,460*	54.9	13,370*		130	60.1	23,170*	62.3	19,470*	64.3	15,140*
160	47.0	18,600*	49.3	15,670*	51.3	12,920*	140		57.2	22,710*	59.5	18,420*	61.5	14,480*	
									150	54.3	21,240*	56.6	17,400*	58.5	13,920*
								160	51.3	19,970*	53.5	16,550*	55.4	13,380*	
								170	48.2	18,880*	50.3	15,790*	52.1	12,920*	
								180	44.8	17,910*	46.9	15,150*	48.7	12,530*	



**195 klb + 64 klb CB**

**360°**

**ANSI B 30.5  
DIN/ISO**

**60' (18.3 m) Jib length**

Boom length	Jib Radius (Feet)	5.0 Deg offset		15.0 Deg offset		25.0 Deg offset	
		Boom Angle	Rating (Pounds)	Boom Angle	Rating (Pounds)	Boom Angle	Rating (Pounds)
190' (57.9 m)	45	82.0	29,710*	-	-	-	-
	50	80.8	29,210*	-	-	-	-
	60	78.5	28,290*	80.8	25,540*	-	-
	70	76.2	27,490*	78.5	24,940*	80.6	21,800*
	80	73.8	26,660*	76.1	24,350*	78.2	20,350*
	90	71.4	25,900*	73.7	23,770*	75.8	19,060*
	100	69.0	25,230*	71.2	23,250*	73.3	17,920*
	110	66.5	24,580*	68.7	22,760*	70.7	16,970*
	120	64.0	23,950*	66.2	21,310*	68.2	16,120*
	130	61.4	23,410*	63.6	20,020*	65.5	15,390*
140	58.7	22,870*	60.9	18,830*	62.8	14,750*	
150	56.0	22,030*	58.1	17,850*	60.0	14,150*	
160	53.1	20,690*	55.3	17,020*	57.1	13,650*	
170	50.2	19,520*	52.3	16,240*	54.0	13,160*	
180	47.1	18,550*	49.2	15,530*	50.9	12,750*	
190	43.9	17,640*	45.9	14,930*	47.5	12,400*	

47	81.9	29,610*	-	-	-	-
50	81.2	29,340*	-	-	-	-
60	79.0	28,400*	81.2	25,630*	-	-
70	76.7	27,580*	78.9	24,990*	81.0	22,020*
80	74.4	26,870*	76.6	24,380*	78.7	20,570*
90	72.2	26,060*	74.3	23,910*	76.3	19,270*
100	69.8	25,380*	72.0	23,380*	74.0	18,220*
110	67.5	24,810*	69.6	22,900*	71.5	17,260*
120	65.0	24,210*	67.2	21,740*	69.1	16,370*
130	62.6	23,600*	64.7	20,510*	66.6	15,670*
140	60.1	23,100*	62.1	19,340*	64.0	14,970*
150	57.5	22,600*	59.5	18,310*	61.3	14,390*
160	54.8	21,440*	56.8	17,430*	58.6	13,840*
170	52.0	20,240*	54.0	16,630*	55.8	13,390*
180	49.1	19,140*	51.1	15,940*	52.8	12,950*
190	46.1	18,260*	48.1	15,280*	49.7	12,580*
200	42.9	17,400*	44.9	14,720*	46.4	12,300*

48	82.0	29,500*	-	-	-	-
50	81.5	29,340*	-	-	-	-
60	79.4	28,510*	81.5	25,620*	-	-
70	77.2	27,670*	79.3	25,030*	81.3	22,180*
80	75.0	26,950*	77.1	24,420*	79.1	20,730*
90	72.8	26,170*	74.9	23,920*	76.9	19,530*
100	70.6	25,550*	72.7	23,500*	74.6	18,450*
110	68.3	24,900*	70.4	22,980*	72.3	17,450*
120	66.0	24,340*	68.1	22,290*	69.9	16,640*
130	63.7	23,830*	65.7	20,990*	67.5	15,870*
140	61.3	23,340*	63.3	19,770*	65.1	15,180*
150	58.8	22,830*	60.8	18,750*	62.6	14,610*
160	56.3	22,070*	58.3	17,870*	60.0	14,070*
170	53.7	20,860*	55.6	17,010*	57.3	13,590*
180	51.0	19,790*	52.9	16,330*	54.5	13,170*
190	48.2	18,770*	50.1	15,640*	51.6	12,790*
200	45.2	17,900*	47.1	15,060*	48.6	12,450*
210	42.1	16,770*	43.9	14,550*	45.4	12,170*

Boom length	Jib Radius (Feet)	5.0 Deg offset		15.0 Deg offset		25.0 Deg offset	
		Boom Angle	Rating (Pounds)	Boom Angle	Rating (Pounds)	Boom Angle	Rating (Pounds)
220' (67.1 m)	50	81.8	29,370*	-	-	-	-
	60	79.8	28,600*	81.8	25,610*	-	-
	70	77.7	27,760*	79.7	25,090*	81.6	22,330*
	80	75.6	27,080*	77.6	24,560*	79.5	20,940*
	90	73.5	26,330*	75.5	24,050*	77.4	19,750*
	100	71.3	25,710*	73.3	23,500*	75.2	18,630*
	110	69.1	25,090*	71.1	23,090*	73.0	17,690*
	120	66.9	24,550*	68.9	22,630*	70.7	16,870*
	130	64.7	23,970*	66.7	21,430*	68.4	16,100*
	140	62.4	23,420*	64.3	20,220*	66.1	15,410*
150	60.1	22,950*	62.0	19,180*	63.7	14,850*	
160	57.6	22,580*	59.6	18,280*	61.2	14,260*	
170	55.2	21,460*	57.1	17,430*	58.7	13,800*	
180	52.6	20,380*	54.5	16,690*	56.1	13,350*	
190	50.0	19,380*	51.8	15,990*	53.4	12,950*	
200	47.2	17,780	49.1	15,410*	50.6	12,600*	
210	44.3	16,210	46.1	14,890*	47.6	12,310*	
220	41.3	14,800	43.0	14,400*	44.4	12,040*	

51	81.9	29,250*	-	-	-	-
60	80.1	28,490*	-	-	-	-
70	78.1	27,810*	80.1	25,000*	81.9	22,520*
80	76.1	27,090*	78.1	24,460*	79.9	21,120*
90	74.0	26,460*	76.0	24,010*	77.8	19,940*
100	72.0	25,760*	73.9	23,590*	75.7	18,840*
110	69.9	25,180*	71.8	23,110*	73.6	17,920*
120	67.8	24,580*	69.7	22,700*	71.4	17,080*
130	65.6	24,050*	67.5	21,820*	69.2	16,340*
140	63.4	23,600*	65.3	20,680*	67.0	15,610*
150	61.2	23,140*	63.1	19,560*	64.7	15,000*
160	58.9	22,700*	60.8	18,640*	62.4	14,450*
170	56.5	22,130*	58.4	17,810*	60.0	13,970*
180	54.1	21,000*	56.0	17,010*	57.5	13,560*
190	51.6	19,180	53.4	16,350*	55.0	13,120*
200	49.0	17,430	50.8	15,760*	52.3	12,760*
210	46.3	15,860	48.1	15,170*	49.5	12,470*
220	43.5	14,440	45.2	14,450	46.6	12,190*
230	40.5	13,170	42.2	13,180	43.5	11,970*

52	82.0	29,120*	-	-	-	-
60	80.4	28,510*	-	-	-	-
70	78.5	27,780*	80.4	24,980*	-	-
80	76.6	27,120*	78.5	24,490*	80.2	21,330*
90	74.6	26,490*	76.5	24,010*	78.2	20,080*
100	72.6	25,920*	74.5	23,580*	76.2	19,070*
110	70.6	25,240*	72.5	23,210*	74.2	18,130*
120	68.6	24,700*	70.4	22,730*	72.1	17,290*
130	66.5	24,260*	68.3	22,300*	70.0	16,530*
140	64.4	23,730*	66.2	21,070*	67.9	15,860*
150	62.2	23,300*	64.1	20,030*	65.7	15,250*
160	60.0	22,860*	61.9	19,040*	63.4	14,670*
170	57.8	22,470*	59.6	18,140*	61.2	14,200*
180	55.5	20,610	57.3	17,380*	58.8	13,710*
190	53.1	18,640	54.9	16,700*	56.4	13,290*
200	50.7	16,890	52.4	16,050*	53.9	12,920*
210	48.2	15,320	49.9	15,330	51.3	12,630*
220	45.5	13,910	47.2	13,910	48.6	12,350*
230	42.7	12,630	44.4	12,640	45.7	12,070*
240	39.8	11,460	41.4	11,470	42.6	11,490



## With 92HI Offset Tip Boom and 195,000 Pound Counterweight, 16HL Jib

195 klb + 64 klb CB 

360°

ANSI B 30.5  
DIN/ISO

### 60' (18.3 m) Jib length

Boom length	Jib Radius (Feet)	5.0 Deg offset		15.0 Deg offset		25.0 Deg offset	
		Boom Angle	Rating (Pounds)	Boom Angle	Rating (Pounds)	Boom Angle	Rating (Pounds)
	54	81.9	29,020*	-	-	-	-
	60	80.8	28,640*	-	-	-	-
	70	78.9	27,980*	80.7	25,040*	-	-
	80	77.0	27,240*	78.8	24,530*	80.6	21,440*
	90	75.1	26,610*	76.9	24,100*	78.6	20,320*
	100	73.2	26,030*	75.0	23,650*	76.7	19,270*
	110	71.2	25,480*	73.0	23,300*	74.7	18,300*
	120	69.3	24,840*	71.1	22,830*	72.7	17,450*
	130	67.3	24,380*	69.1	22,440*	70.7	16,710*
	140	65.3	23,930*	67.0	21,480*	68.6	16,070*
	150	63.2	23,480*	65.0	20,450*	66.5	15,400*
	160	61.1	22,960*	62.9	19,440*	64.4	14,840*
	170	59.0	22,260*	60.7	18,580*	62.2	14,360*
	180	56.8	20,040*	58.5	17,740*	60.0	13,900*
	190	54.5	18,070*	56.2	17,050*	57.7	13,460*
	200	52.2	16,320*	53.9	16,330*	55.3	13,100*
	210	49.8	14,750*	51.5	14,760*	52.9	12,790*
	220	47.3	13,320*	49.0	13,330*	50.3	12,500*
	230	44.7	12,040*	46.3	12,050*	47.6	12,070*
	240	42.0	10,880*	43.6	10,890*	44.8	10,910*
	250	39.1	9,810*	40.7	9,830*	41.8	9,850*

	55	82.0	28,970*	-	-	-	-
	60	81.0	28,640*	-	-	-	-
	70	79.2	27,940*	81.0	24,990*	-	-
	80	77.4	27,360*	79.2	24,570*	80.9	21,650*
	90	75.6	26,720*	77.3	24,080*	79.0	20,430*
	100	73.7	26,060*	75.5	23,730*	77.1	19,470*
	110	71.8	25,510*	73.6	23,290*	75.2	18,470*
	120	70.0	24,980*	71.7	22,880*	73.3	17,630*
	130	68.0	24,520*	69.8	22,540*	71.3	16,920*
	140	66.1	24,000*	67.8	21,850*	69.4	16,260*
	150	64.1	23,530*	65.8	20,830*	67.4	15,620*
	160	62.1	23,090*	63.8	19,810*	65.3	15,040*
	170	60.0	21,720*	61.7	18,920*	63.2	14,510*
	180	57.9	19,500*	59.6	18,100*	61.1	14,070*
	190	55.8	17,530*	57.5	17,410*	58.9	13,630*
	200	53.6	15,770*	55.2	15,780*	56.6	13,260*
	210	51.3	14,200*	52.9	14,200*	54.3	12,900*
	220	49.0	12,780*	50.6	12,790*	51.9	12,600*
	230	46.5	11,490*	48.1	11,500*	49.4	11,520*
	240	44.0	10,320*	45.5	10,330*	46.8	10,350*
	250	41.3	9,250*	42.8	9,260*	44.0	9,280*
	260	38.5	8,290*	40.0	8,300*	41.1	8,320*

Boom length	Jib Radius (Feet)	5.0 Deg offset		15.0 Deg offset		25.0 Deg offset	
		Boom Angle	Rating (Pounds)	Boom Angle	Rating (Pounds)	Boom Angle	Rating (Pounds)
	57	81.8	28,790*	-	-	-	-
	60	81.3	28,660*	-	-	-	-
	70	79.6	28,010*	81.3	25,050*	-	-
	80	77.8	27,350*	79.5	24,580*	81.2	21,760*
	90	76.0	26,720*	77.7	24,160*	79.4	20,640*
	100	74.2	26,180*	75.9	23,690*	77.5	19,630*
	110	72.4	25,550*	74.1	23,360*	75.7	18,710*
	120	70.6	25,080*	72.3	22,950*	73.8	17,820*
	130	68.7	24,530*	70.4	22,610*	72.0	17,090*
	140	66.9	24,120*	68.5	22,270*	70.0	16,370*
	150	65.0	23,700*	66.6	21,160*	68.1	15,810*
	160	63.0	23,240*	64.7	20,130*	66.1	15,210*
	170	61.0	21,180*	62.7	19,280*	64.1	14,680*
	180	59.0	18,960*	60.7	18,470*	62.1	14,230*
	190	57.0	16,980*	58.6	16,990*	60.0	13,820*
	200	54.9	15,220*	56.5	15,230*	57.8	13,440*
	210	52.7	13,650*	54.3	13,650*	55.6	13,070*
	220	50.5	12,210*	52.0	12,220*	53.3	12,240*
	230	48.2	10,930*	49.7	10,930*	51.0	10,950*
	240	45.8	9,760*	47.3	9,770*	48.5	9,790*
	250	43.3	8,690*	44.8	8,700*	45.9	8,720*
	260	40.6	7,710*	42.1	7,720*	43.2	7,750*
	270	37.9	6,820*	39.3	6,830*	40.3	6,860*

	58	81.9	28,640*	-	-	-	-
	60	81.6	28,480*	-	-	-	-
	70	79.9	27,810*	81.6	24,900*	-	-
	80	78.2	27,230*	79.8	24,450*	81.4	21,920*
	90	76.4	26,690*	78.1	24,100*	79.7	20,750*
	100	74.7	26,070*	76.4	23,630*	77.9	19,770*
	110	72.9	25,550*	74.6	23,260*	76.1	18,860*
	120	71.2	25,090*	72.8	22,930*	74.3	17,980*
	130	69.4	24,590*	71.0	22,600*	72.5	17,270*
	140	67.6	24,140*	69.2	22,190*	70.7	16,560*
	150	65.7	23,670*	67.4	21,510*	68.8	16,000*
	160	63.9	23,280*	65.5	20,490*	66.9	15,370*
	170	62.0	20,810*	63.6	19,650*	65.0	14,910*
	180	60.0	18,580*	61.6	18,590*	63.0	14,430*
	190	58.1	16,610*	59.6	16,620*	61.0	13,990*
	200	56.1	14,840*	57.6	14,850*	59.0	13,610*
	210	54.0	13,270*	55.5	13,280*	56.8	13,240*
	220	51.9	11,840*	53.4	11,850*	54.7	11,870*
	230	49.7	10,550*	51.2	10,560*	52.4	10,580*
	240	47.4	9,370*	48.9	9,380*	50.1	9,400*
	250	45.0	8,310*	46.5	8,320*	47.7	8,340*
	260	42.6	7,330*	44.0	7,340*	45.2	7,360*
	270	40.0	6,440*	41.4	6,450*	42.5	6,470*
	280	37.3	5,620*	38.7	5,630*	39.6	5,650*



**195 klb + 64 klb CB**

**360°**

**ANSI B 30.5  
DIN/ISO**

**60' (18.3 m) Jib length**

Boom length	Jib Radius (Feet)	5.0 Deg offset		15.0 Deg offset		25.0 Deg offset	
		Boom Angle	Rating (Pounds)	Boom Angle	Rating (Pounds)	Boom Angle	Rating (Pounds)
	59	82.0	28,420*	-	-	-	-
	60	81.8	28,400*	-	-	-	-
	70	80.2	27,820*	81.8	24,850*	-	-
	80	78.5	27,260*	80.1	24,460*	81.7	22,010*
	90	76.8	26,670*	78.5	24,010*	80.0	20,910*
	100	75.1	26,170*	76.8	23,690*	78.3	19,920*
	110	73.4	25,640*	75.1	23,230*	76.6	19,040*
	120	71.7	25,060*	73.3	22,890*	74.8	18,210*
	130	70.0	24,660*	71.6	22,550*	73.1	17,420*
	140	68.2	24,150*	69.8	22,200*	71.3	16,770*
	150	66.5	23,750*	68.1	21,870*	69.5	16,090*
	160	64.7	22,800*	66.2	20,840*	67.6	15,590*
<b>290' (88.4 m)</b>	170	62.8	20,270*	64.4	19,980*	65.8	15,050*
	180	61.0	18,050*	62.5	18,060*	63.9	14,600*
	190	59.1	16,080*	60.6	16,080*	62.0	14,150*
	200	57.2	14,320*	58.7	14,320*	60.0	13,740*
	210	55.2	12,730*	56.7	12,740*	58.0	12,750*
	220	53.1	11,300*	54.6	11,310*	55.9	11,330*
	230	51.1	10,010*	52.5	10,020*	53.8	10,040*
	240	48.9	8,840*	50.4	8,850*	51.6	8,870*
	250	46.7	7,760*	48.1	7,770*	49.3	7,790*
	260	44.4	6,780*	45.8	6,790*	46.9	6,810*
	270	41.9	5,890*	43.3	5,900*	44.4	5,930*
	280	39.4	4,900*	40.8	5,070*	41.8	5,090*
	290	36.7	3,820*	38.0	4,190*	39.0	4,350*

**70' (21.3 m) Jib length**

Boom length	Jib Radius (Feet)	5.0 Deg offset		15.0 Deg offset		25.0 Deg offset	
		Boom Angle	Rating (Pounds)	Boom Angle	Rating (Pounds)	Boom Angle	Rating (Pounds)
	46	82.0	22,290*	-	-	-	-
	50	81.0	21,900*	-	-	-	-
	60	78.7	21,140*	81.4	18,910*	-	-
	70	76.4	20,340*	79.0	18,320*	81.6	16,670*
	80	74.0	19,640*	76.7	17,790*	79.2	16,300*
	90	71.6	19,050*	74.2	17,290*	76.7	15,820*
<b>180' (54.9 m)</b>	100	69.2	18,450*	71.8	16,840*	74.2	15,430*
	110	66.7	17,890*	69.3	16,430*	71.7	14,570*
	120	64.2	17,410*	66.7	15,920*	69.1	13,830*
	130	61.6	16,930*	64.1	15,450*	66.4	13,170*
	140	58.9	16,440*	61.5	15,070*	63.7	12,590*
	150	56.2	15,870*	58.7	14,730*	60.9	12,040*
	160	53.3	15,460*	55.8	14,380*	58.0	11,560*
	170	50.4	15,000*	52.8	13,780*	54.9	11,160*
	180	47.3	14,660*	49.7	13,160*	51.7	10,800*
		48	81.8	22,170*	-	-	-
	50	81.4	21,960*	-	-	-	-
	60	79.2	21,160*	81.7	18,910*	-	-
	70	76.9	20,440*	79.5	18,380*	81.9	16,710*
	80	74.6	19,760*	77.2	17,850*	79.6	16,330*
	90	72.3	19,200*	74.9	17,390*	77.3	15,910*
<b>190' (57.9 m)</b>	100	70.0	18,590*	72.5	16,950*	74.9	15,440*
	110	67.6	18,060*	70.1	16,530*	72.5	14,820*
	120	65.2	17,540*	67.7	16,030*	70.0	14,060*
	130	62.8	17,090*	65.2	15,630*	67.5	13,360*
	140	60.2	16,600*	62.7	15,200*	64.9	12,780*
	150	57.7	16,120*	60.1	14,870*	62.2	12,250*
	160	55.0	15,670*	57.4	14,540*	59.5	11,750*
	170	52.2	15,220*	54.6	14,120*	56.6	11,360*
	180	49.3	14,840*	51.7	13,490*	53.7	11,000*
	190	46.3	14,550*	48.6	12,910*	50.5	10,660*

Boom length	Jib Radius (Feet)	5.0 Deg offset		15.0 Deg offset		25.0 Deg offset	
		Boom Angle	Rating (Pounds)	Boom Angle	Rating (Pounds)	Boom Angle	Rating (Pounds)
	49	81.9	22,090*	-	-	-	-
	50	81.7	22,010*	-	-	-	-
	60	79.6	21,260*	-	-	-	-
	70	77.4	20,610*	79.9	18,440*	-	-
	80	75.2	19,960*	77.7	17,910*	80.0	16,350*
	90	73.0	19,310*	75.5	17,470*	77.8	15,920*
	100	70.8	18,710*	73.2	17,040*	75.5	15,500*
	110	68.5	18,220*	70.9	16,630*	73.2	15,010*
<b>200' (61.0 m)</b>	120	66.2	17,680*	68.6	16,210*	70.8	14,210*
	130	63.9	17,250*	66.2	15,770*	68.4	13,560*
	140	61.5	16,770*	63.8	15,330*	65.9	12,990*
	150	59.0	16,360*	61.3	14,960*	63.4	12,410*
	160	56.5	15,870*	58.8	14,670*	60.8	11,970*
	170	53.9	15,470*	56.2	14,380*	58.2	11,540*
	180	51.2	15,060*	53.4	13,830*	55.4	11,140*
	190	48.3	14,720*	50.6	13,230*	52.5	10,820*
	200	45.4	14,420*	47.6	12,760*	49.4	10,510*



HC 275

**39**



## With 92HI Offset Tip Boom and 195,000 Pound Counterweight, 16HL Jib

195 klb + 64 klb CB 

360°

ANSI B 30.5  
DIN/ISO

**70' (21.3 m) Jib length**

Boom length	Jib Radius (Feet)	5.0 Deg offset		15.0 Deg offset		25.0 Deg offset	
		Boom Angle	Rating (Pounds)	Boom Angle	Rating (Pounds)	Boom Angle	Rating (Pounds)
	51	81.8	22,020*	-	-	-	-
	60	79.9	21,370*	-	-	-	-
	70	77.9	20,620*	80.2	18,420*	-	-
	80	75.8	19,980*	78.1	17,980*	80.4	16,310*
	90	73.6	19,380*	76.0	17,520*	78.2	15,980*
	100	71.5	18,840*	73.8	17,050*	76.0	15,560*
	110	69.3	18,360*	71.7	16,650*	73.8	15,200*
	120	67.1	17,810*	69.4	16,260*	71.6	14,390*
210' (64.0 m)	130	64.9	17,390*	67.2	15,830*	69.3	13,750*
	140	62.6	16,980*	64.9	15,460*	66.9	13,120*
	150	60.2	16,570*	62.5	15,110*	64.5	12,610*
	160	57.8	16,050*	60.1	14,750*	62.1	12,130*
	170	55.4	15,620*	57.6	14,490*	59.5	11,680*
	180	52.8	15,240*	55.0	14,150*	56.9	11,290*
	190	50.2	14,880*	52.3	13,570*	54.2	10,960*
	200	47.4	14,580*	49.6	13,030*	51.3	10,680*
	210	44.5	14,280*	46.6	12,580*	48.3	10,400*

	52	81.9	21,920*	-	-	-	-
	60	80.3	21,390*	-	-	-	-
	70	78.3	20,720*	80.6	18,490*	-	-
	80	76.3	20,080*	78.6	17,990*	80.7	16,340*
	90	74.2	19,490*	76.5	17,520*	78.6	15,970*
	100	72.2	18,980*	74.4	17,120*	76.5	15,610*
	110	70.1	18,430*	72.3	16,740*	74.4	15,250*
	120	67.9	17,990*	70.2	16,360*	72.2	14,590*
220' (67.1 m)	130	65.8	17,510*	68.0	15,990*	70.0	13,900*
	140	63.6	17,050*	65.8	15,570*	67.8	13,350*
	150	61.4	16,670*	63.6	15,210*	65.5	12,780*
	160	59.1	16,300*	61.2	14,870*	63.2	12,290*
	170	56.7	15,810*	58.9	14,560*	60.8	11,830*
	180	54.3	15,410*	56.4	14,310*	58.3	11,440*
	190	51.8	15,080*	53.9	13,850*	55.7	11,120*
	200	49.2	14,770*	51.3	13,320*	53.1	10,800*
	210	46.5	14,460*	48.6	12,840*	50.3	10,520*
	220	43.7	14,160*	45.7	12,400*	47.3	10,290*

	53	82.0	21,880*	-	-	-	-
	60	80.6	21,400*	-	-	-	-
	70	78.7	20,730*	80.9	18,420*	-	-
	80	76.7	20,160*	78.9	17,970*	81.0	16,270*
	90	74.8	19,580*	77.0	17,560*	79.0	16,010*
	100	72.8	19,080*	75.0	17,130*	77.0	15,650*
	110	70.8	18,530*	72.9	16,750*	75.0	15,300*
	120	68.7	18,110*	70.9	16,450*	72.9	14,740*
230' (70.1 m)	130	66.6	17,610*	68.8	16,080*	70.8	14,120*
	140	64.5	17,230*	66.7	15,660*	68.6	13,510*
	150	62.4	16,820*	64.5	15,290*	66.4	12,960*
	160	60.2	16,420*	62.3	14,990*	64.2	12,440*
	170	58.0	16,000*	60.1	14,660*	61.9	12,010*
	180	55.7	15,620*	57.8	14,390*	59.6	11,610*
	190	53.3	15,240*	55.4	14,140*	57.1	11,260*
	200	50.9	14,930*	52.9	13,600*	54.6	10,920*
	210	48.3	14,620*	50.3	13,070*	52.0	10,640*
	220	45.7	14,320*	47.7	12,660*	49.3	10,410*
230	42.9	13,420*	44.9	12,260*	46.4	10,180*	

Boom length	Jib Radius (Feet)	5.0 Deg offset		15.0 Deg offset		25.0 Deg offset	
		Boom Angle	Rating (Pounds)	Boom Angle	Rating (Pounds)	Boom Angle	Rating (Pounds)
	55	81.9	21,730*	-	-	-	-
	60	80.9	21,430*	-	-	-	-
	70	79.0	20,850*	81.2	18,420*	-	-
	80	77.2	20,250*	79.3	18,050*	81.3	16,240*
	90	75.3	19,650*	77.4	17,560*	79.4	16,010*
	100	73.3	19,100*	75.5	17,180*	77.5	15,700*
	110	71.4	18,680*	73.5	16,840*	75.5	15,340*
	120	69.4	18,170*	71.5	16,510*	73.5	14,930*
240' (73.2 m)	130	67.4	17,700*	69.5	16,150*	71.5	14,280*
	140	65.4	17,350*	67.5	15,800*	69.4	13,630*
	150	63.4	16,890*	65.4	15,400*	67.3	13,090*
	160	61.3	16,570*	63.3	15,060*	65.1	12,590*
	170	59.1	16,210*	61.2	14,800*	63.0	12,160*
	180	56.9	15,770*	59.0	14,520*	60.7	11,740*
	190	54.7	15,390*	56.7	14,270*	58.4	11,380*
	200	52.4	15,080*	54.3	13,830*	56.0	11,090*
	210	50.0	14,780*	51.9	13,350*	53.6	10,760*
	220	47.5	14,150	49.4	12,870*	51.0	10,530*
230	44.9	12,870	46.8	12,470*	48.3	10,300*	
240	42.2	11,710	44.0	11,720	45.5	10,080*	

	56	81.9	21,800*	-	-	-	-
	60	81.2	21,540*	-	-	-	-
	70	79.4	20,870*	81.5	18,490*	-	-
	80	77.6	20,330*	79.7	18,070*	81.6	16,280*
	90	75.7	19,720*	77.8	17,630*	79.8	15,980*
	100	73.9	19,200*	75.9	17,230*	77.9	15,730*
	110	72.0	18,730*	74.1	16,900*	76.0	15,380*
	120	70.1	18,300*	72.1	16,540*	74.0	15,040*
	130	68.2	17,850*	70.2	16,180*	72.1	14,390*
	140	66.2	17,440*	68.3	15,870*	70.1	13,790*
250' (76.2 m)	150	64.3	17,070*	66.3	15,530*	68.1	13,270*
	160	62.2	16,650*	64.2	15,210*	66.0	12,750*
	170	60.2	16,360*	62.2	14,870*	63.9	12,330*
	180	58.1	15,990*	60.1	14,620*	61.8	11,900*
	190	56.0	15,600*	57.9	14,370*	59.6	11,550*
	200	53.7	15,220*	55.7	14,120*	57.3	11,210*
	210	51.5	14,910*	53.4	13,580*	55.0	10,890*
	220	49.1	13,580	51.0	13,160*	52.6	10,650*
	230	46.7	12,290	48.5	12,300	50.1	10,420*
	240	44.1	11,130	46.0	11,140	47.4	10,190*
250	41.5	10,060	43.3	10,070	44.7	10,010*	

	57	82.0	21,710*	-	-	-	-
	60	81.5	21,470*	-	-	-	-
	70	79.7	20,920*	81.7	18,480*	-	-
	80	77.9	20,330*	80.0	18,070*	81.9	16,270*
	90	76.2	19,800*	78.2	17,620*	80.1	15,950*
	100	74.4	19,330*	76.4	17,280*	78.3	15,700*
	110	72.6	18,850*	74.6	16,940*	76.4	15,410*
	120	70.7	18,370*	72.7	16,560*	74.5	15,130*
	130	68.9	17,910*	70.9	16,250*	72.7	14,530*
	140	67.0	17,570*	69.0	15,980*	70.8	13,920*
260' (79.2 m)	150	65.1	17,130*	67.0	15,610*	68.8	13,410*
	160	63.2	16,770*	65.1	15,270*	66.8	12,890*
	170	61.2	16,460*	63.1	14,950*	64.8	12,480*
	180	59.2	16,150*	61.1	14,690*	62.8	12,070*
	190	57.1	15,760*	59.0	14,440*	60.7	11,660*
	200	55.0	15,380*	56.9	14,190*	58.5	11,350*
	210	52.9	14,460	54.7	13,870*	56.3	11,010*
	220	50.6	13,020	52.5	13,030	54.0	10,770*
	230	48.3	11,740	50.1	11,750	51.6	10,490*
	240	45.9	10,570	47.7	10,580	49.2	10,300*
250	43.4	9,500	45.2	9,510	46.6	9,530	
260	40.8	8,530	42.5	8,550	43.9	8,570	





**195 klb + 64 klb CB**

**360°**

**ANSI B 30.5  
DIN/ISO**

**70' (21.3 m) Jib length**

Boom length	Jib Radius (Feet)	5.0 Deg offset		15.0 Deg offset		25.0 Deg offset	
		Boom Angle	Rating (Pounds)	Boom Angle	Rating (Pounds)	Boom Angle	Rating (Pounds)
	59	81.9	21,570*	-	-	-	-
	60	81.7	21,480*	-	-	-	-
	70	80.0	20,930*	82.0	18,470*	-	-
	80	78.3	20,410*	80.3	18,060*	-	-
	90	76.6	19,870*	78.5	17,680*	80.4	15,980*
	100	74.8	19,360*	76.8	17,330*	78.6	15,660*
	110	73.1	18,870*	75.0	16,950*	76.8	15,440*
	120	71.3	18,480*	73.3	16,630*	75.0	15,130*
	130	69.5	18,040*	71.5	16,340*	73.2	14,720*
	140	67.7	17,620*	69.6	16,010*	71.4	14,120*
270' (82.3 m)	150	65.9	17,210*	67.8	15,730*	69.5	13,520*
	160	64.0	16,910*	65.9	15,390*	67.6	13,050*
	170	62.1	16,550*	64.0	15,090*	65.7	12,600*
	180	60.2	16,230*	62.0	14,770*	63.7	12,180*
	190	58.2	15,910*	60.1	14,540*	61.7	11,820*
	200	56.2	15,480*	58.0	14,290*	59.6	11,470*
	210	54.1	13,900*	55.9	13,910*	57.5	11,170*
	220	52.0	12,470*	53.8	12,480*	55.3	10,850*
	230	49.8	11,180*	51.6	11,190*	53.1	10,610*
	240	47.5	10,020*	49.3	10,030*	50.7	10,050*
	250	45.2	8,940*	46.9	8,950*	48.3	8,980*
	260	42.7	7,970*	44.4	7,980*	45.8	8,010*
	270	40.1	7,080*	41.8	7,090*	43.1	7,110*

Boom length	Jib Radius (Feet)	5.0 Deg offset		15.0 Deg offset		25.0 Deg offset	
		Boom Angle	Rating (Pounds)	Boom Angle	Rating (Pounds)	Boom Angle	Rating (Pounds)
	62	81.9	21,310*	-	-	-	-
	70	80.6	20,880*	-	-	-	-
	80	79.0	20,400*	80.8	17,960*	-	-
	90	77.3	19,890*	79.2	17,600*	80.9	15,880*
	100	75.7	19,470*	77.5	17,250*	79.3	15,590*
	110	74.1	18,980*	75.9	16,950*	77.6	15,410*
	120	72.4	18,530*	74.2	16,620*	75.9	15,160*
	130	70.7	18,120*	72.5	16,360*	74.2	14,930*
	140	69.0	17,770*	70.8	16,050*	72.5	14,370*
	150	67.3	17,350*	69.1	15,780*	70.7	13,810*
290' (88.4 m)	160	65.6	17,030*	67.3	15,530*	69.0	13,340*
	170	63.8	16,710*	65.6	15,270*	67.2	12,840*
	180	62.0	16,400*	63.8	14,950*	65.3	12,460*
	190	60.2	16,080*	61.9	14,690*	63.5	12,040*
	200	58.3	14,570*	60.1	14,460*	61.6	11,680*
	210	56.4	12,980*	58.1	12,990*	59.6	11,390*
	220	54.5	11,550*	56.2	11,560*	57.6	11,090*
	230	52.5	10,260*	54.2	10,270*	55.6	10,290*
	240	50.4	9,090*	52.1	9,100*	53.5	9,120*
	250	48.3	8,020*	50.0	8,030*	51.3	8,050*
	260	46.1	7,040*	47.8	7,050*	49.1	7,070*
	270	43.8	6,130*	45.5	6,150*	46.7	6,170*
	280	41.4	5,230*	43.0	5,320*	44.3	5,340*
	290	38.9	4,190*	40.5	4,560*	41.7	4,580*

	60	82.0	21,460*	-	-	-	-
	70	80.3	20,900*	-	-	-	-
	80	78.6	20,400*	80.6	17,990*	-	-
	90	77.0	19,830*	78.9	17,630*	80.7	15,920*
	100	75.3	19,370*	77.2	17,280*	79.0	15,630*
	110	73.6	18,970*	75.5	16,950*	77.2	15,380*
	120	71.9	18,510*	73.8	16,590*	75.5	15,180*
	130	70.1	18,100*	72.0	16,290*	73.7	14,850*
	140	68.4	17,710*	70.2	16,060*	71.9	14,220*
	150	66.6	17,310*	68.5	15,730*	70.1	13,680*
280' (85.3 m)	160	64.8	16,950*	66.6	15,490*	68.3	13,180*
	170	63.0	16,640*	64.8	15,190*	66.4	12,720*
	180	61.1	16,310*	62.9	14,870*	64.5	12,290*
	190	59.2	15,990*	61.0	14,610*	62.6	11,930*
	200	57.3	15,110*	59.1	14,360*	60.6	11,570*
	210	55.3	13,520*	57.1	13,530*	58.6	11,270*
	220	53.3	12,090*	55.0	12,100*	56.5	10,980*
	230	51.2	10,800*	52.9	10,810*	54.4	10,740*
	240	49.0	9,630*	50.8	9,640*	52.2	9,660*
	250	46.8	8,560*	48.5	8,570*	49.9	8,590*
	260	44.5	7,580*	46.2	7,590*	47.5	7,620*
	270	42.1	6,680*	43.7	6,700*	45.0	6,720*
	280	39.5	5,860*	41.1	5,870*	42.4	5,900*

**4**

HC 275

**41**



**195 klb + 64 klb CB**

**360°**

**ANSI B 30.5  
DIN/ISO**

**80' (24.4 m) Jib length**

Boom length	Jib Radius (Feet)	5.0 Deg offset		15.0 Deg offset		25.0 Deg offset	
		Boom Angle	Rating (Pounds)	Boom Angle	Rating (Pounds)	Boom Angle	Rating (Pounds)
	60	81.9	16,900*	-	-	-	-
	70	80.2	16,300*	-	-	-	-
	80	78.5	15,810*	80.7	13,680*	-	-
	90	76.7	15,330*	79.0	13,350*	81.1	11,660*
	100	75.0	14,850*	77.2	13,000*	79.3	11,340*
	110	73.2	14,410*	75.5	12,630*	77.5	11,090*
	120	71.5	13,990*	73.7	12,210*	75.7	10,810*
	130	69.7	13,600*	71.9	11,890*	73.9	10,540*
	140	67.9	13,220*	70.1	11,540*	72.1	10,360*
	150	66.0	12,810*	68.2	11,260*	70.2	10,130*
	160	64.2	12,420*	66.3	10,990*	68.3	9,950*
	170	62.3	12,070*	64.4	10,710*	66.3	9,760*
	180	60.3	11,710*	62.5	10,510*	64.4	9,610*
	190	58.4	11,410*	60.5	10,260*	62.3	9,500*
	200	56.3	11,110*	58.4	10,060*	60.3	9,380*
	210	54.3	10,820*	56.4	9,910*	58.2	9,280*
	220	52.1	10,580*	54.2	9,720*	56.0	9,190*
	230	50.0	10,350*	52.0	9,620*	53.7	9,100*
	240	47.7	10,160*	49.7	9,470*	51.4	8,940*
	250	45.3	9,740*	47.3	9,380*	48.9	8,780*
	260	42.9	8,770*	44.8	8,780*	46.4	8,620*

	61	81.9	16,890*	-	-	-	-
	70	80.4	16,340*	-	-	-	-
	80	78.8	15,820*	81.0	13,710*	-	-
	90	77.1	15,340*	79.3	13,350*	81.4	11,650*
	100	75.4	14,920*	77.6	13,010*	79.6	11,380*
	110	73.7	14,470*	75.9	12,680*	77.9	11,100*
	120	72.0	14,060*	74.2	12,270*	76.2	10,810*
	130	70.3	13,650*	72.4	11,960*	74.4	10,590*
	140	68.5	13,310*	70.7	11,640*	72.6	10,360*
	150	66.8	12,950*	68.9	11,310*	70.8	10,140*
	160	65.0	12,550*	67.1	11,040*	69.0	9,950*
	170	63.1	12,190*	65.2	10,800*	67.1	9,800*
	180	61.3	11,820*	63.3	10,550*	65.2	9,650*
	190	59.4	11,510*	61.4	10,350*	63.3	9,490*
	200	57.4	11,210*	59.5	10,150*	61.3	9,390*
	210	55.5	10,910*	57.5	9,950*	59.2	9,270*
	220	53.4	10,670*	55.4	9,800*	57.2	9,170*
	230	51.3	10,470*	53.3	9,650*	55.0	9,080*
	240	49.2	10,230*	51.2	9,510*	52.8	9,040*
	250	46.9	9,190*	48.9	9,200*	50.5	8,840*
	260	44.6	8,210*	46.6	8,230*	48.1	8,250*
	270	42.2	7,310*	44.1	7,330*	45.6	7,350*

Boom length	Jib Radius (Feet)	5.0 Deg offset		15.0 Deg offset		25.0 Deg offset	
		Boom Angle	Rating (Pounds)	Boom Angle	Rating (Pounds)	Boom Angle	Rating (Pounds)
	63	81.8	16,740*	-	-	-	-
	70	80.7	16,320*	-	-	-	-
	80	79.1	15,810*	81.2	13,660*	-	-
	90	77.5	15,400*	79.6	13,320*	81.6	11,650*
	100	75.8	14,910*	78.0	13,060*	79.9	11,350*
	110	74.2	14,470*	76.3	12,730*	78.3	11,090*
	120	72.5	14,110*	74.6	12,320*	76.6	10,850*
	130	70.9	13,700*	72.9	11,970*	74.9	10,580*
	140	69.2	13,370*	71.2	11,680*	73.1	10,360*
	150	67.4	13,030*	69.5	11,370*	71.4	10,160*
	160	65.7	12,640*	67.7	11,090*	69.6	10,010*
	170	63.9	12,300*	66.0	10,850*	67.8	9,800*
	180	62.1	11,930*	64.2	10,590*	66.0	9,680*
	190	60.3	11,630*	62.3	10,380*	64.1	9,520*
	200	58.4	11,330*	60.4	10,180*	62.2	9,420*
	210	56.5	11,030*	58.5	10,030*	60.3	9,300*
	220	54.6	10,790*	56.6	9,830*	58.3	9,200*
	230	52.6	10,550*	54.6	9,690*	56.2	9,110*
	240	50.6	9,870*	52.5	9,540*	54.1	9,020*
	250	48.4	8,800*	50.4	8,810*	51.9	8,840*
	260	46.2	7,820*	48.1	7,830*	49.7	7,850*
	270	44.0	6,920*	45.8	6,940*	47.3	6,960*
	280	41.6	6,100*	43.4	6,110*	44.8	6,140*

	64	81.9	16,680*	-	-	-	-
	70	81.0	16,390*	-	-	-	-
	80	79.4	15,900*	81.5	13,660*	-	-
	90	77.8	15,390*	79.9	13,330*	81.8	11,640*
	100	76.2	14,960*	78.3	13,050*	80.2	11,390*
	110	74.6	14,530*	76.7	12,720*	78.6	11,080*
	120	73.0	14,130*	75.1	12,390*	77.0	10,850*
	130	71.4	13,780*	73.4	12,030*	75.3	10,620*
	140	69.7	13,420*	71.8	11,730*	73.6	10,370*
	150	68.1	13,130*	70.1	11,400*	71.9	10,190*
	160	66.4	12,800*	68.4	11,130*	70.2	10,000*
	170	64.7	12,410*	66.7	10,880*	68.5	9,840*
	180	63.0	12,050*	64.9	10,670*	66.7	9,680*
	190	61.2	11,740*	63.2	10,420*	64.9	9,520*
	200	59.4	11,430*	61.4	10,220*	63.1	9,410*
	210	57.6	11,130*	59.5	10,060*	61.2	9,310*
	220	55.7	10,880*	57.6	9,870*	59.3	9,190*
	230	53.8	10,510*	55.7	9,720*	57.3	9,090*
	240	51.8	9,340*	53.7	9,350*	55.3	9,040*
	250	49.8	8,260*	51.7	8,270*	53.2	8,290*
	260	47.7	7,280*	49.6	7,290*	51.1	7,320*
	270	45.6	6,380*	47.4	6,390*	48.9	6,410*
	280	43.3	5,530*	45.1	5,560*	46.6	5,590*
	290	41.0	4,520*	42.8	4,790*	44.1	4,820*

**4**

HC 275

**43**



## With 92HI Offset Tip Boom and 195,000 Pound Counterweight, 16HL Jib

195 klb + 64 klb CB



360°

ANSI B 30.5

DIN/ISO

**90' (27.4 m) Jib length**

Boom length	Jib Radius (Feet)	5.0 Deg offset		15.0 Deg offset		25.0 Deg offset	
		Boom Angle	Rating (Pounds)	Boom Angle	Rating (Pounds)	Boom Angle	Rating (Pounds)
	58	81.9	13,670*	-	-	-	-
	60	81.5	13,560*	-	-	-	-
	70	79.7	13,000*	-	-	-	-
	80	77.9	12,500*	80.6	10,360*	-	-
	90	76.0	11,890*	78.7	9,920*	81.3	8,500*
	100	74.2	11,360*	76.9	9,520*	79.4	8,230*
	110	72.3	10,840*	75.0	9,150*	77.5	7,980*
	120	70.4	10,340*	73.1	8,830*	75.5	7,750*
230' (70.1 m)	130	68.5	9,930*	71.1	8,540*	73.6	7,550*
	140	66.5	9,520*	69.2	8,280*	71.6	7,360*
	150	64.6	9,190*	67.2	8,030*	69.5	7,170*
	160	62.6	8,830*	65.1	7,800*	67.5	7,020*
	170	60.5	8,530*	63.1	7,570*	65.4	6,900*
	180	58.4	8,260*	61.0	7,390*	63.2	6,770*
	190	56.3	8,030*	58.8	7,240*	61.0	6,640*
	200	54.0	7,780*	56.6	7,070*	58.7	6,560*
	210	51.8	7,570*	54.3	6,930*	56.4	6,480*
	220	49.4	7,410*	51.9	6,830*	54.0	6,410*
230	47.0	7,210*	49.4	6,690*	51.4	6,360*	

	59	81.9	13,600*	-	-	-	-
	60	81.8	13,560*	-	-	-	-
	70	80.0	13,020*	-	-	-	-
	80	78.2	12,510*	80.9	10,380*	-	-
	90	76.5	12,010*	79.1	9,940*	81.5	8,500*
	100	74.7	11,450*	77.3	9,540*	79.7	8,250*
	110	72.9	10,910*	75.4	9,220*	77.9	8,000*
	120	71.0	10,440*	73.6	8,900*	76.0	7,780*
240' (73.2 m)	130	69.2	10,040*	71.7	8,580*	74.1	7,570*
	140	67.3	9,630*	69.8	8,340*	72.2	7,390*
	150	65.4	9,260*	67.9	8,060*	70.2	7,210*
	160	63.5	8,950*	66.0	7,860*	68.3	7,040*
	170	61.5	8,650*	64.0	7,630*	66.2	6,890*
	180	59.5	8,360*	62.0	7,430*	64.2	6,760*
	190	57.4	8,110*	59.9	7,280*	62.1	6,650*
	200	55.3	7,890*	57.8	7,110*	59.9	6,570*
	210	53.1	7,650*	55.6	6,970*	57.7	6,480*
	220	50.9	7,480*	53.3	6,840*	55.4	6,400*
230	48.6	7,280*	51.0	6,740*	53.0	6,350*	
240	46.2	7,160*	48.6	6,640*	50.5	6,310*	

	61	81.8	13,550*	-	-	-	-
	70	80.3	13,100*	-	-	-	-
	80	78.6	12,560*	81.1	10,400*	-	-
	90	76.9	12,120*	79.4	9,990*	81.8	8,480*
	100	75.1	11,560*	77.7	9,600*	80.0	8,220*
	110	73.4	11,030*	75.9	9,230*	78.2	8,010*
	120	71.6	10,570*	74.1	8,930*	76.4	7,780*
	130	69.8	10,120*	72.3	8,640*	74.6	7,570*
250' (76.2 m)	140	68.0	9,720*	70.5	8,370*	72.8	7,370*
	150	66.2	9,360*	68.6	8,110*	70.9	7,200*
	160	64.3	9,030*	66.7	7,870*	69.0	7,050*
	170	62.4	8,730*	64.8	7,680*	67.0	6,920*
	180	60.5	8,440*	62.9	7,480*	65.0	6,770*
	190	58.5	8,180*	60.9	7,300*	63.0	6,660*
	200	56.5	7,950*	58.9	7,160*	61.0	6,560*
	210	54.4	7,740*	56.8	7,020*	58.8	6,480*
	220	52.3	7,560*	54.6	6,880*	56.6	6,400*
	230	50.1	7,360*	52.4	6,780*	54.4	6,350*
240	47.8	7,230*	50.1	6,660*	52.0	6,310*	
250	45.5	7,060*	47.7	6,590*	49.6	6,270*	

Boom length	Jib Radius (Feet)	5.0 Deg offset		15.0 Deg offset		25.0 Deg offset	
		Boom Angle	Rating (Pounds)	Boom Angle	Rating (Pounds)	Boom Angle	Rating (Pounds)
	62	81.9	13,530*	-	-	-	-
	70	80.6	13,110*	-	-	-	-
	80	78.9	12,610*	81.4	10,410*	-	-
	90	77.3	12,140*	79.7	9,980*	-	-
	100	75.6	11,610*	78.0	9,610*	80.3	8,240*
	110	73.9	11,110*	76.3	9,260*	78.6	7,980*
	120	72.2	10,650*	74.6	8,980*	76.8	7,790*
	130	70.4	10,210*	72.8	8,680*	75.1	7,580*
260' (79.2 m)	140	68.7	9,830*	71.1	8,400*	73.3	7,390*
	150	66.9	9,480*	69.3	8,150*	71.5	7,200*
	160	65.1	9,140*	67.5	7,920*	69.6	7,080*
	170	63.3	8,820*	65.6	7,710*	67.8	6,930*
	180	61.4	8,550*	63.8	7,530*	65.9	6,780*
	190	59.5	8,280*	61.8	7,350*	63.9	6,680*
	200	57.6	8,060*	59.9	7,200*	61.9	6,570*
	210	55.6	7,810*	57.9	7,030*	59.9	6,490*
	220	53.6	7,640*	55.8	6,920*	57.8	6,400*
	230	51.5	7,430*	53.7	6,790*	55.7	6,350*
240	49.3	7,270*	51.6	6,690*	53.4	6,300*	
250	47.1	7,140*	49.3	6,590*	51.1	6,260*	
260	44.8	6,980*	47.0	6,510*	48.7	6,220*	

	63	82.0	13,450*	-	-	-	-
	70	80.9	13,110*	-	-	-	-
	80	79.2	12,660*	81.6	10,430*	-	-
	90	77.6	12,190*	80.0	10,000*	-	-
	100	76.0	11,710*	78.4	9,660*	80.6	8,210*
	110	74.3	11,220*	76.7	9,310*	78.9	7,990*
	120	72.7	10,720*	75.0	8,990*	77.2	7,760*
	130	71.0	10,310*	73.3	8,690*	75.5	7,590*
270' (82.3 m)	140	69.3	9,940*	71.6	8,430*	73.8	7,410*
	150	67.6	9,580*	69.9	8,190*	72.0	7,230*
	160	65.8	9,220*	68.1	7,950*	70.3	7,070*
	170	64.1	8,930*	66.4	7,770*	68.5	6,910*
	180	62.3	8,620*	64.6	7,580*	66.6	6,800*
	190	60.4	8,360*	62.7	7,400*	64.8	6,690*
	200	58.6	8,140*	60.8	7,220*	62.8	6,580*
	210	56.7	7,930*	58.9	7,070*	60.9	6,480*
	220	54.7	7,690*	57.0	6,940*	58.9	6,400*
	230	52.7	7,520*	55.0	6,830*	56.8	6,340*
240	50.7	7,340*	52.9	6,730*	54.7	6,270*	
250	48.6	7,180*	50.7	6,610*	52.5	6,220*	
260	46.4	7,050*	48.5	6,540*	50.3	6,210*	
270	44.1	6,930*	46.2	6,460*	47.9	6,170*	



**195 klb + 64 klb CB**

**360°**

**ANSI B 30.5  
DIN/ISO**

**90' (27.4 m) Jib length**

Boom length	Jib Radius (Feet)	5.0 Deg offset		15.0 Deg offset		25.0 Deg offset	
		Boom Angle	Rating (Pounds)	Boom Angle	Rating (Pounds)	Boom Angle	Rating (Pounds)
	65	81.9	13,340*	-	-	-	-
	70	81.1	13,120*	-	-	-	-
	80	79.5	12,650*	81.9	10,430*	-	-
	90	78.0	12,220*	80.3	10,030*	-	-
	100	76.4	11,830*	78.7	9,690*	80.9	8,220*
	110	74.8	11,280*	77.1	9,350*	79.2	7,990*
	120	73.2	10,830*	75.5	9,050*	77.6	7,790*
	130	71.5	10,420*	73.8	8,750*	75.9	7,590*
	140	69.9	10,000*	72.2	8,490*	74.3	7,390*
	150	68.2	9,630*	70.5	8,230*	72.6	7,230*
<b>280' (85.3 m)</b>	160	66.5	9,310*	68.8	8,020*	70.8	7,070*
	170	64.8	9,020*	67.1	7,810*	69.1	6,930*
	180	63.1	8,740*	65.3	7,590*	67.3	6,820*
	190	61.3	8,470*	63.5	7,410*	65.5	6,700*
	200	59.5	8,200*	61.7	7,260*	63.7	6,570*
	210	57.7	7,980*	59.9	7,120*	61.8	6,490*
	220	55.8	7,770*	58.0	6,980*	59.9	6,410*
	230	53.9	7,590*	56.1	6,840*	57.9	6,320*
	240	52.0	7,420*	54.1	6,740*	55.9	6,270*
	250	49.9	7,250*	52.1	6,640*	53.8	6,220*
	260	47.9	7,120*	50.0	6,540*	51.7	6,170*
	270	45.7	6,990*	47.8	6,490*	49.5	6,160*
	280	43.5	6,300	45.5	6,310	47.1	6,150*

Boom length	Jib Radius (Feet)	5.0 Deg offset		15.0 Deg offset		25.0 Deg offset	
		Boom Angle	Rating (Pounds)	Boom Angle	Rating (Pounds)	Boom Angle	Rating (Pounds)
	66	81.9	13,290*	-	-	-	-
	70	81.3	13,130*	-	-	-	-
	80	79.8	12,650*	-	-	-	-
	90	78.3	12,260*	80.5	10,040*	-	-
	100	76.7	11,830*	79.0	9,690*	81.1	8,190*
	110	75.2	11,380*	77.4	9,350*	79.5	7,990*
	120	73.6	10,920*	75.8	9,060*	77.9	7,790*
	130	72.0	10,490*	74.3	8,760*	76.3	7,590*
	140	70.4	10,110*	72.7	8,530*	74.7	7,390*
	150	68.8	9,740*	71.0	8,270*	73.1	7,230*
<b>290' (88.4 m)</b>	160	67.2	9,410*	69.4	8,020*	71.4	7,080*
	170	65.5	9,070*	67.7	7,830*	69.7	6,950*
	180	63.9	8,810*	66.0	7,650*	68.0	6,800*
	190	62.2	8,540*	64.3	7,460*	66.3	6,680*
	200	60.4	8,280*	62.6	7,280*	64.5	6,580*
	210	58.7	8,060*	60.8	7,140*	62.7	6,500*
	220	56.9	7,840*	59.0	6,990*	60.8	6,400*
	230	55.0	7,670*	57.1	6,890*	59.0	6,320*
	240	53.1	7,460*	55.2	6,750*	57.0	6,260*
	250	51.2	7,330*	53.3	6,640*	55.0	6,220*
	260	49.2	7,160*	51.3	6,560*	53.0	6,170*
	270	47.2	6,580	49.2	6,490*	50.9	6,120*
	280	45.1	5,760	47.1	5,770	48.7	5,800
	290	42.8	4,780*	44.8	5,000	46.4	5,030

**100' (30.5 m) Jib length**

Boom length	Jib Radius (Feet)	5.0 Deg offset		15.0 Deg offset		25.0 Deg offset	
		Boom Angle	Rating (Pounds)	Boom Angle	Rating (Pounds)	Boom Angle	Rating (Pounds)
	63	81.9	10,240*	-	-	-	-
	70	80.7	9,810*	-	-	-	-
	80	79.1	9,270*	81.8	7,330*	-	-
	90	77.4	8,730*	80.1	6,990*	-	-
	100	75.7	8,290*	78.4	6,710*	81.0	5,600*
	110	74.0	7,860*	76.7	6,410*	79.3	5,420*
	120	72.3	7,500*	75.0	6,160*	77.5	5,240*
	130	70.6	7,150*	73.3	5,940*	75.8	5,060*
	140	68.8	6,820*	71.5	5,720*	74.0	4,920*
	150	67.0	6,550*	69.7	5,520*	72.2	4,780*
<b>250' (76.2 m)</b>	160	65.2	6,290*	67.9	5,350*	70.3	4,660*
	170	63.4	6,040*	66.0	5,170*	68.4	4,540*
	180	61.5	5,820*	64.2	5,020*	66.5	4,460*
	190	59.6	5,620*	62.3	4,880*	64.6	4,350*
	200	57.7	5,430*	60.3	4,770*	62.6	4,280*
	210	55.7	5,260*	58.3	4,640*	60.6	4,200*
	220	53.7	5,100*	56.2	4,540*	58.5	4,150*
	230	51.6	4,950*	54.1	4,460*	56.3	4,090*
	240	49.5	4,830*	52.0	4,380*	54.1	4,070*
	250	47.2	4,720*	49.7	4,310*	51.8	4,040*

Boom length	Jib Radius (Feet)	5.0 Deg offset		15.0 Deg offset		25.0 Deg offset	
		Boom Angle	Rating (Pounds)	Boom Angle	Rating (Pounds)	Boom Angle	Rating (Pounds)
	64	82.0	10,210*	-	-	-	-
	70	81.0	9,860*	-	-	-	-
	80	79.4	9,300*	-	-	-	-
	90	77.8	8,790*	80.4	7,000*	-	-
	100	76.1	8,340*	78.8	6,710*	81.3	5,580*
	110	74.5	7,920*	77.1	6,440*	79.6	5,400*
	120	72.8	7,550*	75.4	6,190*	77.9	5,220*
	130	71.1	7,230*	73.7	5,970*	76.2	5,060*
	140	69.4	6,890*	72.0	5,740*	74.5	4,920*
	150	67.7	6,620*	70.3	5,550*	72.7	4,790*
<b>260' (79.2 m)</b>	160	66.0	6,340*	68.6	5,370*	70.9	4,670*
	170	64.2	6,100*	66.8	5,190*	69.1	4,550*
	180	62.4	5,890*	65.0	5,050*	67.3	4,450*
	190	60.6	5,670*	63.1	4,910*	65.4	4,360*
	200	58.7	5,480*	61.2	4,780*	63.5	4,270*
	210	56.8	5,320*	59.3	4,650*	61.5	4,190*
	220	54.9	5,160*	57.4	4,550*	59.5	4,130*
	230	52.9	5,000*	55.3	4,470*	57.5	4,080*
	240	50.8	4,870*	53.3	4,390*	55.4	4,050*
	250	48.7	4,770*	51.1	4,320*	53.2	4,000*
	260	46.5	4,650*	48.9	4,250*	50.9	4,000*

**4**

HC 275

**45**



## With 92HI Offset Tip Boom and 195,000 Pound Counterweight, 16HL Jib

195 klb + 64 klb CB 

360°

ANSI B 30.5  
DIN/ISO

100' (30.5 m) Jib length															
Boom length	Jib Radius (Feet)	5.0 Deg offset		15.0 Deg offset		25.0 Deg offset		Boom length	Jib Radius (Feet)	5.0 Deg offset		15.0 Deg offset		25.0 Deg offset	
		Boom Angle	Rating (Pounds)	Boom Angle	Rating (Pounds)	Boom Angle	Rating (Pounds)			Boom Angle	Rating (Pounds)	Boom Angle	Rating (Pounds)	Boom Angle	Rating (Pounds)
	66	81.9	10,140*	-	-	-	-		68	82.0	10,090*	-	-	-	-
	70	81.2	9,890*	-	-	-	-		70	81.7	9,970*	-	-	-	-
	80	79.7	9,360*	-	-	-	-		80	80.2	9,450*	-	-	-	-
	90	78.1	8,850*	80.7	7,040*	-	-		90	78.7	8,970*	81.2	7,010*	-	-
	100	76.5	8,390*	79.1	6,710*	81.5	5,570*		100	77.2	8,510*	79.7	6,750*	82.0	5,520*
	110	74.9	8,000*	77.5	6,470*	79.9	5,390*		110	75.7	8,080*	78.1	6,460*	80.4	5,350*
	120	73.3	7,630*	75.8	6,210*	78.2	5,210*		120	74.2	7,720*	76.6	6,230*	78.9	5,180*
	130	71.7	7,290*	74.2	5,960*	76.6	5,060*		130	72.6	7,380*	75.1	5,980*	77.3	5,040*
	140	70.0	6,940*	72.6	5,760*	74.9	4,910*		140	71.1	7,050*	73.5	5,790*	75.7	4,880*
	150	68.3	6,660*	70.9	5,570*	73.2	4,770*		150	69.5	6,790*	71.9	5,590*	74.1	4,750*
270' (82.3 m)	160	66.7	6,380*	69.2	5,380*	71.5	4,640*	290' (88.4 m)	160	67.9	6,530*	70.3	5,400*	72.5	4,620*
	170	65.0	6,170*	67.5	5,220*	69.7	4,530*		170	66.3	6,270*	68.7	5,250*	70.9	4,520*
	180	63.2	5,920*	65.7	5,050*	68.0	4,440*		180	64.7	6,020*	67.1	5,080*	69.2	4,430*
	190	61.5	5,710*	63.9	4,910*	66.2	4,350*		190	63.1	5,810*	65.4	4,940*	67.5	4,320*
	200	59.7	5,540*	62.1	4,800*	64.3	4,270*		200	61.4	5,630*	63.7	4,830*	65.8	4,250*
	210	57.8	5,340*	60.3	4,660*	62.4	4,180*		210	59.7	5,460*	62.0	4,690*	64.1	4,160*
	220	56.0	5,180*	58.4	4,580*	60.5	4,120*		220	58.0	5,290*	60.3	4,580*	62.3	4,100*
	230	54.1	5,050*	56.5	4,480*	58.6	4,060*		230	56.2	5,130*	58.5	4,500*	60.5	4,040*
	240	52.1	4,920*	54.5	4,400*	56.5	4,030*		240	54.4	4,990*	56.7	4,400*	58.6	3,980*
	250	50.1	4,790*	52.4	4,320*	54.5	3,980*		250	52.5	4,860*	54.8	4,340*	56.7	3,950*
260	48.0	4,700*	50.3	4,250*	52.3	3,970*	260	50.6	4,760*	52.9	4,260*	54.8	3,920*		
270	45.8	4,580*	48.2	4,200*	50.1	3,960*	270	48.7	4,660*	50.9	4,190*	52.8	3,890*		
	67	81.9	10,110*	-	-	-	-		280	46.6	4,570*	48.9	4,140*	50.7	3,870*
	70	81.5	9,940*	-	-	-	-		290	44.6	4,480*	46.7	4,100*	48.5	3,870*
	80	79.9	9,390*	-	-	-	-								
	90	78.4	8,930*	80.9	7,010*	-	-								
	100	76.9	8,470*	79.4	6,730*	81.8	5,540*								
	110	75.3	8,040*	77.8	6,450*	80.2	5,360*								
	120	73.7	7,670*	76.2	6,220*	78.6	5,200*								
	130	72.2	7,340*	74.6	5,970*	77.0	5,050*								
	140	70.6	7,030*	73.0	5,770*	75.3	4,900*								
	150	68.9	6,740*	71.4	5,570*	73.7	4,760*								
280' (85.3 m)	160	67.3	6,450*	69.8	5,390*	72.0	4,640*								
	170	65.7	6,200*	68.1	5,220*	70.3	4,530*								
	180	64.0	5,990*	66.4	5,080*	68.6	4,440*								
	190	62.3	5,780*	64.7	4,940*	66.9	4,350*								
	200	60.6	5,590*	63.0	4,800*	65.1	4,260*								
	210	58.8	5,400*	61.2	4,680*	63.3	4,170*								
	220	57.0	5,230*	59.4	4,570*	61.5	4,110*								
	230	55.2	5,100*	57.5	4,490*	59.6	4,050*								
	240	53.3	4,950*	55.6	4,410*	57.6	4,000*								
	250	51.3	4,850*	53.7	4,330*	55.6	3,960*								
260	49.4	4,720*	51.7	4,260*	53.6	3,940*									
270	47.3	4,630*	49.6	4,200*	51.5	3,910*									
280	45.2	4,540*	47.4	4,160*	49.3	3,910*									



## Notes to lifting capacity

### Warning

This rating chart is invalid if the crane has been modified or altered by use of other than GENUINE AMERICAN PARTS as such modifications or alterations may affect its capacity or safe operation. See American Crane Corporation Service Bulletin #259.

Ratings in this chart are in POUNDS and do not exceed the percentage of tipping specified for this crane by ANSI B30.5. All ratings require that the crane be standing level on a firm uniformly supporting surface.

Do not lift loads in excess of those shown on this chart. Lifting loads in excess of those shown or operation not in accordance with good operating practice, including limitations shown on page 3499 of Operator's Manual, can cause tipping, structural damage or catastrophic failure.

Asterisk (\*) areas on this chart indicate ratings which are limited by strength of material or factors other than stability (tipping).

„RADIUS IN FEET“ is the horizontal distance at ground level from the crane centerline of rotation to a vertical line through the center of gravity of the suspended load.

When using the main boom fall with jib in place, the main fall ratings must be reduced by the jib effective weight shown on the jib rating chart plus twice the weight of all suspended blocks, slings, rope, etc., at the jib fall. See Appendix A.

Blocks, slings, buckets and other load carrying devices are considered part of the load. The weight of standard hoisting ropes for the rating at a given radius has been calculated as part of the boom point load and need not be considered in determining net allowable loads. See Appendix A.

Ratings shown on this chart make no allowance for such factors as out of plumb loads, wind, poor soil conditions and dynamic effects due to excessive operating speeds. The user (operator) must exercise judgement to make allowance for these conditions. See page 3499 of Operator's Manual for detailed information.

No account is taken of the wind force on the load. This effect, which can be substantial for loads with large surface areas, must be considered by the user. In any wind it is strongly recommended that taglines be used to control the load.

Combinations of boom or boom and jib with a total length exceeding 350 ft (107 m) can be operated at full rated capacity only in wind speeds of 15 mph (24 km/h) or less. If lifts are to be performed in winds between 15 mph (24 km/h) and 25 mph (40 km/h), ratings must be reduced 10%. No operation of the above combinations should be attempted in wind speeds over 40 km/h (25 mph). The above limitations do not take into account loads with excessive surface area which are not restrained by tag lines.

BOOM HOIST LINE is 18 parts of 7/8 inch diameter 6 x 26, WS, FW, RAL, IWRC, EIPS wire rope with a minimum breaking strength of 79,600 pounds.

BOOM PENDANT SUSPENSION is 4 parts of 1-3/8 inch diameter EEIPS wire rope with a minimum breaking strength of 211,000 pounds.

JIB BACKSTAY LINE is 7/8 inch diameter wire rope with a minimum breaking strength of 69,200 pounds.

JIB FRONTSTAY PENDANT SUSPENSION is 2 parts of 7/8 inch diameter wire rope with a minimum breaking strength of 69,200 pounds.

WHIPLINE is 1-1/8 inch diameter 6 x 25, FW, RRL, IWRC, EEIPS wire rope with a minimum breaking strength of 143,000 pounds.

### ERECTION

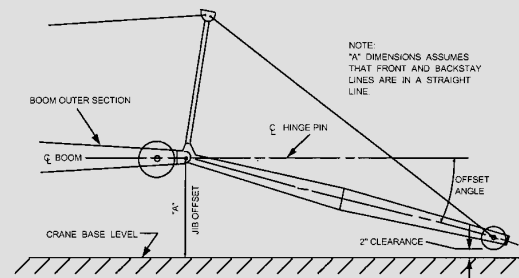
Erection „BLOCKED OVER THE END“ is with the boom over the idler end with idler tumblers blocked (See operator's manual for blocking instructions). Erection „OVER THE SIDE“ is with the boom 90° to the side frames. Blocks, slings and other load carrying devices must be on the ground during erection.

LOAD HOISTING INFORMATION - 1-1/8 inch diameter EEIPS wire rope			
MAXIMUM LIFTING CAPACITY - LBS.	MINIMUM PARTS OF LINE	MAXIMUM HOISTING DISTANCE - FEET	
		MAIN HOIST	AUX HOIST
32,000	1	1,310	1,310

92HI OFFSET TIP BOOM MAXIMUM BOOM & JIB SELF-ERECTION DATA		
	BOOM LENGTH (FEET)	JIB LENGTH
		16HL JIB (FEET)
BLOCKED OVER THE END	300	50
	290	100
OVER THE SIDE	280	0
	270	70
	260	100

BOOM LENGTH (FEET)	BOOM COMPOSITION CHART - 92HI OFFSET TIP					
	BOOM SECTIONS					
	25' 92HI INNER	15' 92HT CENTER	20' 92HT CENTER	10' 92ST CENTER	50' 92ST CENTER	40' 92H OUTER
100	1	1	1	0	0	1
110	1	1	1	1	0	1
120	1	1	1	2	0	1
130	1	1	0	0	1	1
140	1	1	0	1	1	1
150	1	1	1	0	1	1
160	1	1	1	1	1	1
170	1	1	1	2	1	1
180	1	1	0	0	2	1
190	1	1	0	1	2	1
200	1	1	1	0	2	1
210	1	1	1	1	2	1
220	1	1	1	2	2	1
230	1	1	0	0	3	1
240	1	1	0	1	3	1
250	1	1	1	0	3	1
260	1	1	1	1	3	1
270	1	1	1	2	3	1
280	1	1	0	0	4	1
290	1	1	0	1	4	1

JIB LENGTH (FEET)	16HL JIB COMPOSITION CHART					JIB OFFSET "A" IN FEET		
	20' INNER	10' CENTER	20' CENTER	20' OUTER	EFF. JIB WEIGHT (POUNDS)	5'	15'	25'
	40	1	0	0		1	1,500	4' 10"
50	1	1	0	1	2,050	5' 8"	12' 1"	18' 3"
60	1	0	1	1	2,600	6' 6"	13' 10"	21' 2"
70	1	1	1	1	3,150	7' 1"	15' 10"	24' 4"
80	1	0	2	1	3,700	7' 9"	17' 8"	27' 4"
90	1	1	2	1	4,350	8' 4"	19' 7"	30' 7"
100	1	0	3	1	4,950	9' 0"	21' 4"	33' 6"



NOTE:  
"A" DIMENSIONS ASSUMES THAT FRONT AND BACKSTAY LINES ARE IN A STRAIGHT LINE.



## Technical description

### Hydraulic Crawler Crane

#### Maximum lifting capacity

275 tons (249.5 m).

#### 300 ft (91.4 m) maximum lift crane boom

- 92HI tubular chord boom, pin connected.
- 65 ft (19.8 m) inner and outer and 10 / 15 / 20 / 50 ft (3 / 4.5 / 6 / 15 m) available inserts provide boom compositions in 10 ft (3 m) increments from 65 ft (19.8 m) to 300 ft (91.4 m).

#### Robust engine

- Cummins Model QSL9-C diesel engine supplies 325 HP (242 kW) @ 2000 rpm, 542 cu. in. (9 l) displacement, 180 gallons (681 l) fuel capacity.

#### Environmental operator's cab

- Designed to provide excellent viewing range and quiet, comfortable operation.
- 37 in. (0.91 m) wide cab has wide curved windows on both top and bottom.
- Easy-to-operate modular and ergonomically designed controls reduce operator fatigue and increase productivity.
- Load Moment Indicator with interactive screen features a shockless stop system. Operator can select from three display modes: loaded condition diagram, rated lifting curve, and rated lifting load table.
- Adjustable operator's seat, radio, air conditioner, overhead window, sun visor, fan, overhead and front wipers, and drum rotation indicators standard.

#### Heavy duty carbody and crawlers

- Fabricated steel carbody is deep box constructed with square axles for the crawler side frames. Precision machined top supports anti-friction swing circle and multiple pass hydraulic swivel joint.
- Crawlers have high alloy steel tumbler yokes and rigid fabricated structures with built-in sealed automatic lubrication system.
- 48" (1219 mm) crawler shoes.
- Travel mechanism is set within shoe width.
- Side frames extended or retracted by cylinders inside the carbody.
- Two travel speed settings – 0.55 / 0.37 mph (0.88 / 0.60 km/h).
- 30 % (17°) gradeability.

#### Powerful, high-speed hoist system

- Two identical independent main and auxiliary load hoisting drums provide ample lifting power. Drums are grooved for 1-1/8 in. (28 mm) diameter rope. Max. line speed is 540 fpm (165 m/min), max. single line pull is 54,060 lb (24 522 kg). Rated single line pull is 40,850 lb (18 530 kg). Freefall on main and auxiliary drums.
- Each drum, including optional third, has power up/down. Load hoists are further controllable in stepless mode.
- Ample work space in front of drums allows easy access for cable installation and maintenance.
- External contracting brake.
- Internal expanding band clutch.
- Separate caption for swing.
- 1.7 rpm swing speed.

#### High capacity, dependable hydraulic system

- Open circuit system has 2 variable displacement piston pumps which supply power to the travel and hoisting functions, 3 gear pumps provide power for swing, hydraulic cylinders and pilot pressure.
- Hydraulic reservoir with 90 gallons (341 l) capacity and 10 micron filtration. System capacity is 150 gallons (568 l).
- Component working range is between -4 and 203° F (-20 and 95° C).

#### Thirteen piece removable counterweight

- 13 piece pin connected counterweight can be assembled or disassembled easily within minutes.
- Hydraulic counterweight removal system is standard and makes the HC 275 one of the most transportable cranes in its class.
- Moves on 11 trucks with 260 ft (79.2 m) boom and 105 ft (32.0 m) of jib. At 11 ft 6 in. (3.51 m) wide and 11 ft 3 in. (3.43 m) high, the basic HC 275 will transport on a standard lowboy trailer.

#### Options include

- Third drum.
- Single sheave extension.
- Choice of 16HL – 32,000 lb (14 515 kg), #30 – 60,000 lb (27 216 kg), or #40 – 80,000 lb (36 287 kg) capacity jib.
- Reeving winch.





## Transport example for HC 275

### 260' 92HI Boom with six sheave offset tip & 105' of jib

Loads required as follows: (weights shown do NOT include blocking or tie-down material)

<b>LOAD NO. 1</b>	
3 x counterweight overlays @ 13,000 lbs each .....	39,000 lbs.
1 x 50' boom center section .....	5,000 lbs.
<b>TOTAL LOAD</b> .....	<b>44,000 lbs.</b>
<b>LOAD NO. 2</b>	
3 x counterweight overlays @ 13,000 lbs each .....	39,000 lbs.
1 x 50' boom center section .....	5,000 lbs.
<b>TOTAL LOAD</b> .....	<b>44,000 lbs.</b>
<b>LOAD NO. 3</b>	
3 x counterweight overlays @ 13,000 lbs each .....	39,000 lbs.
1 x 50' boom center section .....	5,000 lbs.
<b>TOTAL LOAD</b> .....	<b>44,000 lbs.</b>
<b>LOAD NO. 4</b>	
1 x counterweight overlays @ 13,000 lbs each .....	13,000 lbs.
40' six sheave outer section .....	6,660 lbs.
<b>TOTAL LOAD</b> .....	<b>19,660 lbs.</b>
<b>LOAD NO. 5</b>	
25' boom inner section .....	6,500 lbs.
Front carbody counterweight .....	32,000 lbs.
<b>TOTAL LOAD</b> .....	<b>38,500 lbs.</b>
<b>LOAD NO. 6</b>	
2 x counterweight overlays @ 13,000 lbs each .....	26,000 lbs.
1 x 20' boom center section .....	3,010 lbs.
1 x 10' boom center section .....	1,375 lbs.
1 x 15' boom center section .....	2,750 lbs.
<b>TOTAL LOAD</b> .....	<b>33,135 lbs.</b>
<b>LOAD NO. 7</b>	
Base counterweight .....	39,000 lbs.
<b>TOTAL LOAD</b> .....	<b>39,000 lbs.</b>
<b>LOAD NO. 8</b>	
Crawler side frame .....	48,000 lbs.
<b>TOTAL LOAD</b> .....	<b>48,000 lbs.</b>
<b>LOAD NO. 9</b>	
Crawler side frame .....	48,000 lbs.
<b>TOTAL LOAD</b> .....	<b>48,000 lbs.</b>
<b>LOAD NO. 10</b>	
Rear carbody counterweight .....	32,000 lbs.
12.5' jib inner .....	965 lbs.
12.5' jib outer .....	910 lbs.
Jib mast .....	900 lbs.
2 x 10' jib center sections @ 460 each .....	920 lbs.
2 x 30' jib center sections @ 1,300 each .....	2,600 lbs.
Miscellaneous .....	5,000 lbs.
<b>TOTAL LOAD</b> .....	<b>43,295 lbs.</b>
<b>LOAD NO. 11</b>	
Upperworks and Carbody .....	107,000 lbs.



## Key

 Counterweight

CB Central ballast





# AMERICAN HC 275

## Hydraulic Crawler Crane 92 HI Boom

### LIFT RATINGS IN POUNDS

With 92HI Offset Tip Boom and 172,000 Pound Counterweight

Boom Length	Radius (Feet)	Boom Angle (Degrees)	360 Degree Rating (Pounds)	From Boom Pt. to Ground (Feet)	Boom Length	Radius (Feet)	Boom Angle (Degrees)	360 Degree Rating (Pounds)	From Boom Pt. to Ground (Feet)	Boom Length	Radius (Feet)	Boom Angle (Degrees)	360 Degree Rating (Pounds)	From Boom Pt. to Ground (Feet)
65' (21.3M)	16	81.4	550,000 *	77	120' (con't)	90	45.5	55,890	93	170' (51.8M)	30	82.0	249,690 *	176
	20	77.8	431,740 *	76		100	38.2	48,350	82		35	80.3	203,060	175
	25	73.2	342,870 *	75		110	29.4	42,320	67		40	78.5	166,810	174
	30	68.5	260,230	74		120	16.9	37,480	43		50	75.1	121,560	172
	35	63.6	205,850	72	130' (39.6M)	25	81.7	321,040 *	136		60	71.5	94,620	169
	40	58.5	169,740	69		30	79.5	259,300	135		70	67.9	76,810	165
	50	47.2	124,690	62		35	77.2	204,710	134		80	64.2	63,830	161
60	33.1	97,730	52	40		74.9	168,530	133	90		60.4	54,090	155	
80' (24.4M)	18	81.6	480,390 *	87		50	70.3	123,360	130		100	56.4	46,530	149
	20	80.1	431,080 *	86		60	65.5	96,430	126		110	52.3	40,500	142
	25	76.4	342,340 *	85		70	60.5	78,580	121		120	47.8	35,850	134
	30	72.7	260,560	84	80	55.3	65,650	115	130		43.0	31,710	124	
	35	68.9	206,110	82	90	49.7	55,940	107	140		37.8	28,210	112	
	40	64.9	169,970	80	100	43.6	48,410	97	150		31.8	25,200	97	
	50	56.6	124,870	74	110	36.6	42,380	85	160		24.6	22,600	78	
90' (27.4M)	19	81.8	453,450 *	97	140' (42.7M)	26	81.9	297,000 *	146		180' (54.9M)	32	81.8	215,060 *
	20	81.2	430,220 *	97		30	80.2	258,940	146	35		80.8	202,820	185
	25	78.0	341,540 *	96		35	78.1	204,320	145	40		79.2	166,600	184
	30	74.7	260,340	94		40	76.0	168,130	144	50		75.9	121,360	182
	35	71.3	205,850	93		50	71.8	122,940	141	60		72.6	94,450	179
	40	67.9	169,700	91		60	67.4	96,010	137	70		69.2	76,660	176
	50	60.8	124,580	86		70	62.8	78,170	132	80		65.8	63,680	172
	60	53.1	97,620	80		80	58.1	65,230	127	90		62.2	53,950	167
70	44.5	79,700	71	90		53.1	55,520	120	100	58.5		46,390	161	
80	34.2	66,780	58	100		47.8	47,980	111	110	54.7		40,350	155	
90	19.7	57,080	38	110		41.9	41,950	101	120	50.7		35,720	147	
100' (30.5M)	21	81.5	407,940 *	107		120	35.2	37,200	88	130		46.4	31,600	138
	25	79.2	340,540 *	106		130	27.2	33,060	72	140		41.8	28,090	128
	30	76.2	259,990	105	140	15.6	29,550	45	150	36.7		25,100	115	
	35	73.3	205,460	103	150' (45.7M)	28	81.7	288,860	156	160		30.9	22,490	100
	40	70.2	169,290	102		30	80.9	258,550	156	170		23.8	20,220	80
	50	64.0	124,150	98		35	78.9	203,880	155	190' (57.9M)	33	81.9	199,300 *	196
	60	57.3	97,190	92		40	77.0	167,670	154		35	81.3	197,990 *	195
	70	50.1	79,290	84		50	73.0	122,460	151		40	79.8	166,180	195
	80	42.1	66,360	75		60	69.0	95,530	148		50	76.7	120,930	193
	90	32.4	56,670	61		70	64.8	77,690	143		60	73.6	94,000	190
100	18.6	49,130	40	80		60.5	64,740	138	70		70.4	76,220	187	
110' (33.5M)	22	81.8	387,980 *	117		90	55.9	55,020	132		80	67.1	63,230	183
	25	80.2	339,650 *	116		100	51.2	47,470	124		90	63.8	53,490	178
	30	77.5	259,670	115	110	46.0	41,440	116	100		60.4	45,920	173	
	35	74.8	205,110	114	120	40.4	36,720	105	110		56.8	40,240	167	
	40	72.1	168,930	112	130	34.0	32,590	91	120		53.1	35,280	160	
	50	66.5	123,770	109	140	26.2	29,090	74	130		49.2	31,140	152	
	60	60.6	96,820	104	150	15.1	26,080	47	140		45.1	27,650	142	
	70	54.4	78,920	97	160' (48.8M)	29	81.8	270,330 *	166		150	40.6	24,650	131
	80	47.6	66,000	89		30	81.5	258,170	166		160	35.7	22,050	118
	90	40.0	56,300	78		35	79.6	203,480	165		170	30.0	19,770	103
	100	30.8	48,760	64		40	77.8	167,250	164	200' (61.0M)	35	81.7	193,970 *	206
110	17.7	42,740	41	50		74.1	122,020	162	40		80.3	165,740	205	
120' (36.6M)	23	82.0	369,440 *	126		60	70.3	95,080	158		50	77.4	120,900	203
	25	81.0	338,750 *	126		70	66.5	77,260	154		60	74.4	93,520	200
	30	78.6	259,330	125		80	62.5	64,280	150		70	71.4	75,740	197
	35	76.1	204,730	124		90	58.3	54,570	144		80	68.3	62,740	194
	40	73.6	168,540	123		100	54.0	47,010	137		90	65.2	52,990	189
	50	68.6	123,360	119		110	49.4	40,970	129		100	62.0	45,410	184
	60	63.3	96,410	115	120	44.5	36,290	120	110		58.7	39,750	179	
	70	57.8	78,530	109	130	39.0	32,150	108	120		55.3	34,790	172	
80	51.9	65,590	102	140	32.8	28,660	94	130	51.7		30,640	165		
					150	25.3	25,650	76	140		47.9	27,140	156	
									150		43.9	24,150	146	



**LIFT RATINGS IN POUNDS (continued)**

**With 92HI Offset Tip Boom and 172,000 Pound Counterweight**

Boom Length	Radius (Feet)	Boom Angle (Degrees)	360 Degree Rating (Pounds)	From Boom Pt. to Ground (Feet)
200' (con't)	160	39.5	21,540	135
	170	34.7	19,260	122
	180	29.2	17,260	105
	190	22.6	15,480	84
210' (64.0M)	36	81.8	174,640 *	216
	40	80.7	165,310	215
	50	78.0	120,460	213
	60	75.2	93,060	211
	70	72.3	75,280	208
	80	69.4	62,270	204
	90	66.5	52,510	200
	100	63.4	44,930	195
	110	60.3	39,290	190
	120	57.1	34,320	184
	130	53.8	30,180	177
	140	50.3	26,680	169
	150	46.7	23,670	160
	160	42.7	21,080	150
	170	38.5	18,790	138
	180	33.8	16,790	125
190	28.5	15,010	108	
200	22.0	13,420	86	
220' (67.1M)	37	82.0	156,330 *	225
	40	81.2	156,330 *	225
	50	78.5	120,030	223
	60	75.8	92,590	221
	70	73.1	74,820	218
	80	70.4	61,800	215
	90	67.6	52,030	211
	100	64.7	44,440	207
	110	61.8	38,830	202
	120	58.8	33,850	196
	130	55.7	29,710	189
	140	52.5	26,200	182
	150	49.1	23,200	174
	160	45.5	20,590	165
	170	41.7	18,320	154
	180	37.6	16,310	142
190	33.0	14,520	128	
200	27.8	12,930	110	
210	21.5	11,500	88	
230' (70.1M)	39	81.8	132,640 *	235
	40	81.6	132,510 *	235
	50	79.0	119,760	233
	60	76.5	92,320	231
	70	73.9	74,580	229
	80	71.3	61,550	225
	90	68.6	51,780	222
	100	65.9	44,190	218
	110	63.1	38,600	213
	120	60.3	33,630	207
	130	57.4	29,490	201
	140	54.4	25,980	195
	150	51.2	22,980	187
	160	47.9	20,380	178
	170	44.5	18,100	169
	180	40.7	16,090	158
190	36.7	14,310	145	
200	32.3	12,710	131	
210	27.2	11,280	113	
220	21.0	9,990	90	
240' (73.2M)	40	81.9	119,340 *	245
	50	79.5	119,330	244
	60	77.1	91,870	242
	70	74.6	74,130	239
	80	72.1	61,090	236
	90	69.6	51,310	233
	100	67.0	43,720	229
	110	64.3	38,150	224
	120	61.7	33,180	219

Boom Length	Radius (Feet)	Boom Angle (Degrees)	360 Degree Rating (Pounds)	From Boom Pt. to Ground (Feet)
240' (con't)	130	58.9	29,030	213
	140	56.1	25,520	207
	150	53.1	22,520	200
	160	50.0	19,910	192
	170	46.8	17,630	183
	180	43.5	15,620	173
	190	39.8	13,840	161
	200	35.9	12,240	148
	210	31.6	10,810	133
	220	26.6	9,520	115
	230	20.6	8,340	92
250' (76.2M)	42	81.8	117,270 *	255
	50	79.9	117,270 *	254
	60	77.6	91,400	252
	70	75.2	73,650	249
	80	72.8	60,600	247
	90	70.4	50,810	243
	100	67.9	43,210	239
	110	65.4	37,660	235
	120	62.9	32,680	230
	130	60.3	28,530	225
	140	57.6	25,020	219
	150	54.8	22,010	212
	160	52.0	19,400	205
	170	49.0	17,130	196
180	45.8	15,110	187	
190	42.5	13,330	177	
200	39.0	11,730	165	
210	35.2	10,290	152	
220	30.9	9,000	136	
230	26.1	7,820	117	
240	20.1	6,760	94	
260' (79.2M)	43	81.9	107,130 *	265
	50	80.3	107,130 *	264
	60	78.1	90,940	262
	70	75.8	73,210	260
	80	73.5	60,130	257
	90	71.2	50,340	254
	100	68.8	42,730	250
	110	66.4	37,190	246
	120	64.0	32,210	241
	130	61.5	28,060	236
	140	59.0	24,550	230
	150	56.4	21,530	224
	160	53.7	18,920	217
	170	50.9	16,640	209
180	48.0	14,630	201	
190	44.9	12,840	191	
200	41.7	11,250	180	
210	38.2	9,800	168	
220	34.5	8,510	155	
230	30.3	7,330	139	
240	25.5	6,260	120	
250	19.7	5,290	95	
270' (82.3M)	44	82.0	98,020 *	275
	50	80.7	98,020 *	274
	60	78.5	90,460	272
	70	76.3	72,740	270
	80	74.1	59,660	267
	90	71.9	49,850	264
	100	69.7	42,240	261
	110	67.4	36,730	257
	120	65.1	31,740	252
	130	62.7	27,580	248
	140	60.3	24,060	242
150	57.8	21,050	236	
160	55.2	18,440	229	
170	52.6	16,160	222	
180	49.8	14,140	214	
190	47.0	12,350	205	

Boom Length	Radius (Feet)	Boom Angle (Degrees)	360 Degree Rating (Pounds)	From Boom Pt. to Ground (Feet)
270' (con't)	200	44.0	10,750	195
	210	40.8	9,320	184
	220	37.5	8,020	172
	230	33.8	6,840	158
	240	29.7	5,760	141
250	25.0	4,780	122	
280' (85.3M)	46	81.8	84,470 *	285
	50	81.0	84,270 *	284
	60	78.9	83,540 *	282
	70	76.8	72,440	280
	80	74.7	59,360	278
	90	72.6	49,560	275
	100	70.4	41,930	271
	110	68.2	36,440	268
	120	66.0	31,460	263
	130	63.7	27,300	259
	140	61.4	23,790	254
150	59.1	20,770	248	
160	56.6	18,160	242	
170	54.1	15,880	235	
180	51.6	13,870	227	
190	48.9	12,080	219	
200	46.1	10,480	209	
210	43.2	9,040	199	
220	40.1	7,740	188	
230	36.7	6,560	175	
240	33.2	5,480	161	
250	29.2	4,500	144	
290' (88.4M)	47	81.9	76,270 *	295
	50	81.3	75,930 *	294
	60	79.3	75,260 *	293
	70	77.3	71,990	291
	80	75.3	58,900	288
	90	73.2	49,090	285
	100	71.1	41,460	282
	110	69.0	35,990	278
	120	66.9	31,000	274
	130	64.7	26,840	270
	140	62.5	23,320	265
	150	60.2	20,300	259
	160	57.9	17,690	253
	170	55.6	15,400	247
180	53.1	13,390	240	
190	50.6	11,600	232	
200	48.0	10,000	223	
210	45.3	8,560	214	
220	42.4	7,250	203	
230	39.3	6,080	191	
240	36.1	5,000	178	
300' (91.4M)	49	81.8	74,730 *	305
	50	81.6	74,730 *	304
	60	79.7	73,910 *	303
	70	77.7	71,530	301
	80	75.8	58,420	298
	90	73.8	48,590	296
	100	71.8	40,950	293
	110	69.7	35,500	289
	120	67.7	30,510	285
	130	65.6	26,340	281
	140	63.5	22,820	276
	150	61.3	19,800	271
	160	59.1	17,190	265
	170	56.9	14,890	259
180	54.5	12,880	252	
190	52.2	11,090	245	
200	49.7	9,490	236	
210	47.1	8,050	227	
220	44.4	6,740	218	
230	41.6	5,560	207	
240	38.7	4,480	195	



**LIFT RATINGS IN POUNDS**

**With 92HI Offset Tip Boom and 172,000 Pound Counterweight, 16HL Jib**

Boom and Jib Length	Jib Radius (Feet)	5.0 Deg Offset		15.0 Deg Offset		25.0 Deg Offset	
		Boom Angle	Ratings (Pounds)	Boom Angle	Ratings (Pounds)	Boom Angle	Ratings (Pounds)
40' (12.2M) JIB & 100' (30.5M) BOOM	28	82.0	32,000*				
	30	81.2	32,000*				
	35	79.1	32,000*	81.8	32,000*		
	40	77.0	32,000*	79.7	32,000*		
	50	72.8	32,000*	75.5	32,000*	78.0	30,670*
	60	68.5	32,000*	71.2	32,000*	73.6	27,430*
	70	64.0	32,000*	66.7	32,000*	69.1	24,910*
	80	59.4	32,000*	62.0	29,470*	64.3	22,820*
40' (12.2M) JIB & 110' (33.5M) BOOM	90	54.5	31,700*	57.0	26,670*	59.3	21,190*
	100	49.3	28,690*	51.8	24,440*	53.9	19,820*
	30	81.8	32,000*				
	35	79.8	32,000*				
	40	77.9	32,000*	80.4	32,000*		
	50	74.0	32,000*	76.5	32,000*	78.9	31,340*
	60	70.0	32,000*	72.5	32,000*	74.8	28,110*
	70	65.9	32,000*	68.3	32,000*	70.6	25,570*
40' (12.2M) JIB & 120' (36.6M) BOOM	80	61.6	32,000*	64.1	30,800*	66.2	23,580*
	90	57.2	32,000*	59.6	27,890*	61.7	21,870*
	100	52.5	30,320*	54.8	25,620*	56.9	20,550*
	110	47.5	27,820*	49.8	23,760*	51.7	19,370*
	31	81.9	32,000*				
	35	80.5	32,000*				
	40	78.7	32,000*	81.0	32,000*		
	50	75.0	32,000*	77.4	32,000*	79.6	31,870*
40' (12.2M) JIB & 130' (39.6M) BOOM	60	71.3	32,000*	73.6	32,000*	75.8	28,830*
	70	67.5	32,000*	69.8	32,000*	71.9	26,330*
	80	63.6	32,000*	65.8	32,000*	67.9	24,280*
	90	59.5	32,000*	61.7	29,170*	63.7	22,510*
	100	55.2	32,000*	57.4	26,840*	59.4	21,180*
	110	50.7	29,310*	52.9	24,830*	54.7	19,940*
	120	45.9	27,090*	48.0	23,210*	49.7	18,970*
	40' (12.2M) JIB & 140' (42.7M) BOOM	33	81.7	32,000*			
35		81.0	32,000*				
40		79.3	32,000*	81.6	32,000*		
50		75.9	32,000*	78.1	32,000*	80.2	32,000*
60		72.4	32,000*	74.6	32,000*	76.7	29,380*
70		68.9	32,000*	71.0	32,000*	73.1	26,940*
80		65.2	32,000*	67.4	32,000*	69.3	24,910*
90		61.4	32,000*	63.6	30,420*	65.5	23,180*
40' (12.2M) JIB & 150' (45.7M) BOOM	100	57.5	32,000*	59.6	27,890*	61.5	21,730*
	110	53.4	30,920*	55.5	25,900*	57.3	20,510*
	120	49.1	28,400*	51.1	24,090*	52.8	19,550*
	130	44.4	26,400*	46.4	22,670*	48.0	18,690*
	34	81.8	32,000*				
	35	81.5	32,000*				
	40	79.9	32,000*	78.8	32,000*	80.8	32,000*
	50	76.7	32,000*	75.5	32,000*	77.5	29,930*
40' (12.2M) JIB & 160' (48.8M) BOOM	60	73.4	32,000*	72.2	32,000*	74.1	27,510*
	70	70.1	32,000*	68.7	32,000*	70.6	25,480*
	80	66.7	32,000*	65.2	31,530*	67.0	23,770*
	90	63.2	32,000*	61.5	28,920*	63.3	22,360*
	100	59.5	32,000*	57.7	26,840*	59.4	21,100*
	110	55.8	32,000*	53.7	25,050*	55.4	20,060*
	120	51.8	29,900*	49.5	23,540*	51.1	19,140*
	130	47.6	27,730*	44.9	22,270*	46.4	18,380*
40' (12.2M) JIB & 170' (51.8M) BOOM	35	82.0	32,000*				
	40	80.5	32,000*				
	50	77.4	32,000*	79.4	32,000*	81.3	32,000*
	60	74.3	32,000*	76.3	32,000*	78.1	30,460*
	70	71.2	32,000*	73.1	32,000*	74.9	28,070*
	80	68.0	32,000*	69.9	32,000*	71.7	26,030*
	90	64.7	32,000*	66.6	32,000*	68.3	24,300*
	100	61.3	32,000*	63.2	30,030*	64.9	22,810*
40' (12.2M) JIB & 180' (54.9M) BOOM	110	57.8	32,000*	59.7	27,810*	61.3	21,610*
	120	54.1	31,290*	56.0	25,990*	57.6	20,530*
	130	50.3	29,020*	52.1	24,460*	53.7	19,620*
	140	46.2	27,050*	48.0	23,100*	49.5	18,880*
	150	41.9	25,430*	43.6	21,930*	44.9	18,220*
	41	81.9	32,000*				
	50	79.6	32,000*	81.3	32,000*		
	60	77.1	32,000*	78.7	32,000*	80.3	32,000*
40' (12.2M) JIB & 190' (57.9M) BOOM	70	74.5	32,000*	76.2	32,000*	77.7	29,920*
	80	71.9	32,000*	73.6	32,000*	75.0	27,900*
	90	69.3	32,000*	70.9	32,000*	72.4	26,270*
	100	66.6	32,000*	68.2	32,000*	69.7	24,770*
	110	63.9	32,000*	65.5	31,500*	66.9	23,470*
	120	61.1	32,000*	62.6	29,410*	64.0	22,360*
	130	58.2	31,810	59.7	27,680*	61.1	21,370*
	140	55.2	28,350	56.7	26,220*	58.0	20,480*
40' (12.2M) JIB & 200' (61.0M) BOOM	150	52.1	25,400	53.6	24,840*	54.9	19,720*
	160	48.9	22,850	50.3	22,860	51.5	19,050*
	170	45.4	20,620	46.9	20,630	48.0	18,490*
	180	41.8	18,660	43.2	18,670	44.3	18,020*
	190	37.9	16,930	39.2	16,940	40.2	16,960
	42	82.0	32,000*				
	50	80.0	32,000*	81.6	32,000*		
	60	77.6	32,000*	79.2	32,000*	80.7	32,000*
40' (12.2M) JIB & 210' (64.3M) BOOM	70	75.2	32,000*	76.8	32,000*	78.2	30,350*
	80	72.7	32,000*	74.3	32,000*	75.7	28,360*
	90	70.2	32,000*	71.7	32,000*	73.2	26,650*
	100	67.6	32,000*	69.2	32,000*	70.6	25,160*
	110	65.0	32,000*	66.6	32,000*	67.9	23,930*
	120	62.4	32,000*	63.9	30,230*	65.2	22,730*
	130	59.7	31,240	61.1	28,480*	62.4	21,770*
	140	56.8	27,790	58.3	26,890*	59.6	20,910*
40' (12.2M) JIB & 220' (67.3M) BOOM	150	53.9	24,820	55.4	24,830	56.6	20,090*
	160	50.9	22,270	52.3	22,270	53.5	19,380*
	170	47.8	20,040	49.2	20,050	50.3	18,800*

Boom and Jib Length	Jib Radius (Feet)	5.0 Deg Offset		15.0 Deg Offset		25.0 Deg Offset	
		Boom Angle	Ratings (Pounds)	Boom Angle	Ratings (Pounds)	Boom Angle	Ratings (Pounds)
40' (12.2M) JIB & 160' (48.8M) BOOM	37	81.8	32,000*				
	40	80.9	32,000*				
	50	78.0	32,000*	79.9	32,000*	81.7	32,000*
	60	75.1	32,000*	77.0	32,000*	78.8	31,030*
	70	72.1	32,000*	74.0	32,000*	75.7	28,620*
	80	69.1	32,000*	71.0	32,000*	72.7	26,540*
	90	66.0	32,000*	67.9	32,000*	69.5	24,790*
	100	62.9	32,000*	64.7	31,040*	66.3	23,340*
40' (12.2M) JIB & 170' (51.8M) BOOM	110	59.6	32,000*	61.4	28,840*	63.0	22,150*
	120	56.2	32,000*	58.0	26,860*	59.5	21,030*
	130	52.7	30,320*	54.4	25,290*	55.9	20,090*
	140	48.9	28,320*	50.7	23,910*	52.1	19,270*
	150	45.0	26,570*	46.7	22,660*	48.0	18,610*
	160	40.8	24,230	42.4	21,660*	43.6	18,040*
	38	81.9	32,000*				
	40	81.4	32,000*				
40' (12.2M) JIB & 180' (54.9M) BOOM	50	78.6	32,000*	80.4	32,000*		
	60	75.8	32,000*	77.6	32,000*	79.3	31,380*
	70	73.0	32,000*	74.8	32,000*	76.5	29,030*
	80	70.1	32,000*	71.9	32,000*	73.5	27,030*
	90	67.2	32,000*	69.0	32,000*	70.6	25,360*
	100	64.2	32,000*	66.0	32,000*	67.5	23,860*
	110	61.2	32,000*	62.9	29,730*	64.4	22,550*
	120	58.0	32,000*	59.7	27,740*	61.2	21,480*
40' (12.2M) JIB & 190' (57.9M) BOOM	130	54.7	31,490*	56.4	26,130*	57.8	20,560*
	140	51.3	29,170	52.9	24,700*	54.3	19,710*
	150	47.7	26,220	49.3	23,420*	50.6	18,960*
	160	43.9	23,670	45.4	22,350*	46.7	18,370*
	170	39.7	21,450	41.3	21,370*	42.4	17,880*
	41	81.8	32,000*				
	50	79.1	32,000*	80.9	32,000*		
	60	76.5	32,000*	78.2	32,000*	79.8	31,900*
40' (12.2M) JIB & 200' (61.0M) BOOM	70	73.8	32,000*	75.5	32,000*	77.1	29,550*
	80	71.1	32,000*	72.8	32,000*	74.3	27,460*
	90	68.3	32,000*	70.0	32,000*	71.5	25,840*
	100	65.5	32,000*	67.2	32,000*	68.6	24,340*
	110	62.6	32,000*	64.2	30,600*	65.7	23,050*
	120	59.6	32,000*	61.2	28,630*	62.7	21,920*
	130	56.5	32,000*	58.2	26,970*	59.5	20,990*
	140	53.4	28,890	54.9	25,380*	56.3	20,060*
40' (12.2M) JIB & 210' (64.3M) BOOM	150	50.0	25,940	51.6	24,080*	52.9	19,330*
	160	46.5	23,390	48.1	22,950*	49.3	18,690*
	170	42.8	21,160	44.3	21,170	45.4	18,120*
	180	38.8	19,210	40.2	19,220	41.3	17,720

**LIFT RATINGS IN POUNDS (continued)**

**With 92HI Offset Tip Boom and 172,000 Pound Counterweight, 16HL Jib**

Boom and Jib Length	Jib Radius (Feet)	5.0 Deg Offset		15.0 Deg Offset		25.0 Deg Offset	
		Boom Angle	Ratings (Pounds)	Boom Angle	Ratings (Pounds)	Boom Angle	Ratings (Pounds)
200' (con't)	180	44.4	18,080	45.8	18,080	46.9	18,100
	190	40.9	16,340	42.2	16,340	43.2	16,360
	200	37.0	14,800	38.3	14,810	39.3	14,820
40' (12.2M) JIB & 210' (64.0M) BOOM	44	81.8	32,000*				
	50	80.4	32,000*	82.0	32,000*		
	60	78.1	32,000*	79.6	32,000*	81.1	32,000*
	70	75.8	32,000*	77.3	32,000*	78.7	30,690*
	80	73.4	32,000*	74.9	32,000*	76.3	28,780*
	90	71.0	32,000*	72.5	32,000*	73.9	27,090*
	100	68.6	32,000*	70.1	32,000*	71.4	25,630*
	110	66.1	32,000*	67.6	32,000*	68.9	24,270*
	120	63.6	32,000*	65.0	31,010*	66.3	23,180*
	130	61.0	30,700	62.4	29,260*	63.7	22,170*
	140	58.3	27,240	59.8	27,250	61.0	21,300*
	150	55.6	24,280	57.0	24,290	58.2	20,500*
	160	52.8	21,720	54.1	21,720	55.3	19,740*
	170	49.8	19,490	51.2	19,490	52.3	19,130*
180	46.7	17,520	48.1	17,530	49.1	17,540	
190	43.5	15,790	44.8	15,790	45.8	15,810	
200	40.0	14,240	41.3	14,250	42.2	14,260	
210	36.2	12,850	37.5	12,860	38.3	12,880	
40' (12.2M) JIB & 220' (67.1M) BOOM	45	81.9	32,000*				
	50	80.8	32,000*			81.4	32,000*
	60	78.6	32,000*	80.1	32,000*	81.4	32,000*
	70	76.3	32,000*	77.8	32,000*	79.1	31,000*
	80	74.1	32,000*	75.5	32,000*	76.8	29,160*
	90	71.8	32,000*	73.2	32,000*	74.5	27,440*
	100	69.4	32,000*	70.9	32,000*	72.2	26,050*
	110	67.1	32,000*	68.5	32,000*	69.8	24,670*
	120	64.7	32,000*	66.1	31,910*	67.3	23,520*
	130	62.2	30,160	63.6	29,980*	64.8	22,510*
	140	59.7	26,700	61.1	26,700	62.3	21,630*
	150	57.1	23,740	58.4	23,740	59.6	20,770*
	160	54.4	21,170	55.8	21,170	56.9	20,070*
	170	51.7	18,930	53.0	18,940	54.1	18,950
180	48.8	16,960	50.1	16,970	51.1	16,980	
190	45.8	15,230	47.0	15,240	48.1	15,250	
200	42.6	13,670	43.8	13,680	44.8	13,690	
210	39.2	12,280	40.4	12,290	41.3	12,310	
220	35.5	11,040	36.7	11,050	37.5	11,060	
40' (12.2M) JIB & 230' (70.1M) BOOM	47	81.8	32,000*				
	50	81.2	32,000*			81.7	32,000*
	60	79.0	32,000*	80.4	32,000*	81.7	32,000*
	70	76.9	32,000*	78.3	32,000*	79.6	31,380*
	80	74.7	32,000*	76.1	32,000*	77.4	29,500*
	90	72.5	32,000*	73.9	32,000*	75.1	27,790*
	100	70.2	32,000*	71.6	32,000*	72.9	26,310*
	110	68.0	32,000*	69.3	32,000*	70.6	25,090*
	120	65.7	32,000*	67.0	32,000*	68.2	23,870*
	130	63.3	29,830	64.7	29,830	65.8	22,850*
	140	60.9	26,360	62.2	26,370	63.4	21,960*
	150	58.5	23,400	59.8	23,410	60.9	21,130*
	160	55.9	20,840	57.2	20,850	58.3	20,400*
	170	53.3	18,610	54.6	18,610	55.7	18,620
180	50.6	16,630	51.9	16,640	52.9	16,650	
190	47.8	14,890	49.1	14,900	50.1	14,910	
200	44.9	13,340	46.1	13,350	47.0	13,360	
210	41.7	11,950	42.9	11,960	43.8	11,970	
220	38.4	10,700	39.6	10,710	40.4	10,720	
230	34.8	9,570	35.9	9,580	36.7	9,600	
40' (12.2M) JIB & 240' (73.2M) BOOM	48	81.9	32,000*				
	50	81.5	32,000*				
	60	79.4	32,000*	80.8	32,000*		
	70	77.3	32,000*	78.7	32,000*	79.9	31,640*
	80	75.2	32,000*	76.6	32,000*	77.8	29,840*
	90	73.1	32,000*	74.4	32,000*	75.7	28,170*
	100	71.0	32,000*	72.3	32,000*	73.5	26,690*
	110	68.8	32,000*	70.1	32,000*	71.3	25,370*
	120	66.6	32,000*	67.9	32,000*	69.1	24,250*
	130	64.3	29,300	65.6	29,310	66.8	23,200*
	140	62.0	25,840	63.3	25,840	64.5	22,320*
	150	59.7	22,870	61.0	22,880	62.1	21,460*
	160	57.3	20,300	58.6	20,310	59.6	20,320
	170	54.8	18,070	56.1	18,070	57.1	18,080

Boom and Jib Length	Jib Radius (Feet)	5.0 Deg Offset		15.0 Deg Offset		25.0 Deg Offset	
		Boom Angle	Ratings (Pounds)	Boom Angle	Ratings (Pounds)	Boom Angle	Ratings (Pounds)
240' (con't)	180	52.3	16,100	53.5	16,110	54.5	16,120
	190	49.6	14,350	50.9	14,360	51.8	14,370
	200	46.9	12,790	48.1	12,800	49.0	12,810
	210	44.0	11,400	45.2	11,410	46.1	11,420
	220	40.9	10,150	42.1	10,160	43.0	10,180
	230	37.7	9,020	38.8	9,030	39.6	9,050
	240	34.2	8,000	35.2	8,010	36.0	8,030
40' (12.2M) JIB & 250' (76.2M) BOOM	49	82.0	32,000*				
	50	81.8	32,000*				
	60	79.8	32,000*	81.1	32,000*		
	70	77.8	32,000*	79.1	32,000*	80.3	32,000*
	80	75.7	32,000*	77.0	32,000*	78.3	30,190*
	90	73.7	32,000*	75.0	32,000*	76.2	28,550*
	100	71.6	32,000*	72.9	32,000*	74.1	27,060*
	110	69.6	32,000*	70.8	32,000*	72.0	25,740*
	120	67.4	32,000*	68.7	32,000*	69.8	24,560*
	130	65.3	28,750	66.5	28,760	67.7	23,590*
	140	63.1	25,290	64.3	25,290	65.4	22,600*
	150	60.9	22,310	62.1	22,320	63.2	21,770*
	160	58.6	19,750	59.8	19,750	60.8	19,770
	170	56.2	17,500	57.4	17,510	58.5	17,520
180	53.8	15,530	55.0	15,540	56.0	15,550	
190	51.3	13,780	52.5	13,790	53.5	13,800	
200	48.7	12,220	49.9	12,230	50.8	12,240	
210	46.0	10,820	47.2	10,830	48.1	10,840	
220	43.2	9,570	44.3	9,580	45.2	9,590	
230	40.2	8,440	41.3	8,440	42.1	8,460	
240	37.0	7,410	38.1	7,420	38.8	7,430	
250	33.5	6,470	34.6	6,480	35.2	6,500	
40' (12.2M) JIB & 260' (79.2M) BOOM	51	81.9	32,000*				
	60	80.1	32,000*	81.4	32,000*		
	70	78.2	32,000*	79.4	32,000*	80.6	32,000*
	80	76.2	32,000*	77.5	32,000*	78.7	30,420*
	90	74.3	32,000*	75.5	32,000*	76.7	28,790*
	100	72.3	32,000*	73.5	32,000*	74.7	27,420*
	110	70.3	32,000*	71.5	32,000*	72.6	26,050*
	120	68.2	32,000*	69.5	32,000*	70.6	24,950*
	130	66.2	28,220	67.4	28,230	68.5	23,860*
	140	64.1	24,740	65.3	24,750	66.3	22,930*
	150	61.9	21,780	63.1	21,780	64.2	21,790
	160	59.7	19,200	60.9	19,210	61.9	19,220
	170	57.5	16,960	58.7	16,970	59.7	16,980
	180	55.2	14,990	56.4	14,990	57.3	15,000
190	52.8	13,240	54.0	13,250	54.9	13,260	
200	50.4	11,680	51.5	11,680	52.4	11,700	
210	47.8	10,280	49.0	10,290	49.9	10,300	
220	45.2	9,010	46.3	9,020	47.2	9,040	
230	42.4	7,870	43.5	7,880	44.3	7,900	
240	39.5	6,840	40.5	6,850	41.3	6,860	
250	36.4	5,900	37.4	5,910	38.1	5,930	
260	33.0	5,050	33.9	5,060	34.6	5,080	
40' (12.2M) JIB & 270' (82.3M) BOOM	52	81.9	32,000*				
	60	80.4	32,000*	81.7	32,000*		
	70	78.6	32,000*	79.8	32,000*	80.9	32,000*
	80	76.7	32,000*	77.9	32,000*	79.0	30,770*
	90	74.8	32,000*	76.0	32,000*	77.1	29,160*
	100	72.9	32,000*	74.1	32,000*	75.2	27,660*
	110	70.9	32,000*	72.1	32,000*	73.2	26,420*
	120	69.0	31,790	70.2	31,790	71.2	25,190*
	130	67.0	27,680	68.2	27,680	69.2	24,180*
	140	64.9	24,210	66.1	24,220	67.2	23,310*
	150	62.9	21,230	64.1	21,240	65.1	21,250
	160	60.8	18,660	62.0	18,670	63.0	18,680
	170	58.7	16,420	59.8	16,420	60.8	16,440
	180	56.5	14,440	57.6	14,440	58.6	14,460
190	54.2	12,690	55.3	12,700	56.3	12,710	
200	51.9	11,130	53.0	11,130	53.9	11,150	
210	49.5	9,730	50.6	9,730	51.5	9,750	
220	47.0	8,460	48.1	8,470	48.9	8,480	
230	44.4	7,320	45.5	7,320	46.3		

**LIFT RATINGS IN POUNDS (continued)**

**With 92HI Offset Tip Boom and 172,000 Pound Counterweight, 16HL Jib**

Boom and Jib Length	Jib Radius (Feet)	5.0 Deg Offset		15.0 Deg Offset		25.0 Deg Offset	
		Boom Angle	Ratings (Pounds)	Boom Angle	Ratings (Pounds)	Boom Angle	Ratings (Pounds)
40' (12.2M) JIB & 280' (85.3M) BOOM	54	81.8	32,000*				
	60	80.7	32,000*	81.9	32,000*		
	70	78.9	32,000*	80.1	32,000*	81.2	32,000*
	80	77.1	32,000*	78.3	32,000*	79.4	30,960*
	90	75.3	32,000*	76.4	32,000*	77.5	29,370*
	100	73.4	32,000*	74.6	32,000*	75.7	27,940*
	110	71.5	32,000*	72.7	32,000*	73.8	26,660*
	120	69.6	31,430	70.8	31,430	71.8	25,520*
	130	67.7	27,320	68.9	27,320	69.9	24,480*
	140	65.8	23,850	66.9	23,850	67.9	23,600*
	150	63.8	20,870	64.9	20,880	65.9	20,890
	160	61.8	18,310	62.9	18,310	63.9	18,320
	170	59.7	16,050	60.9	16,060	61.8	16,070
	180	57.6	14,080	58.7	14,090	59.7	14,100
	190	55.5	12,320	56.6	12,330	57.5	12,340
	200	53.3	10,760	54.4	10,760	55.3	10,780
	210	51.0	9,360	52.1	9,360	53.0	9,370
	220	48.7	8,100	49.7	8,100	50.6	8,120
	230	46.2	6,950	47.3	6,960	48.1	6,970
	240	43.7	5,920	44.7	5,920	45.5	5,940
250	41.0	4,970	42.0	4,980	42.7	4,990	
260	38.2	4,110	39.2	4,120	39.8	4,130	
270	35.1	3,320	36.1	3,330	36.7	3,350	
40' (12.2M) JIB & 290' (88.4M) BOOM	55	81.9	32,000*				
	60	81.0	32,000*				
	70	79.3	32,000*	80.4	32,000*	81.5	32,000*
	80	77.5	32,000*	78.6	32,000*	79.7	31,320*
	90	75.7	32,000*	76.9	32,000*	77.9	29,730*
	100	73.9	32,000*	75.1	32,000*	76.1	28,280*
	110	72.1	32,000*	73.2	32,000*	74.3	26,990*
	120	70.3	30,910	71.4	30,910	72.4	25,780*
	130	68.4	26,800	69.6	26,800	70.6	24,810*
	140	66.6	23,330	67.7	23,330	68.7	23,340
	150	64.7	20,350	65.8	20,350	66.7	20,370
	160	62.7	17,770	63.8	17,780	64.8	17,790
	170	60.7	15,530	61.8	15,530	62.8	15,550
	180	58.7	13,550	59.8	13,550	60.7	13,560
	190	56.7	11,800	57.7	11,800	58.7	11,810
	200	54.6	10,230	55.6	10,240	56.5	10,250
	210	52.4	8,820	53.5	8,830	54.3	8,840
	220	50.2	7,550	51.2	7,560	52.1	7,570
	230	47.9	6,400	48.9	6,410	49.7	6,430
	240	45.5	5,370	46.5	5,380	47.3	5,390
250	43.0	4,420	44.0	4,430	44.7	4,440	
260	40.3	3,550	41.3	3,560	42.0	3,580	
40' (12.2M) JIB & 300' (91.4M) BOOM	56	82.0	32,000*				
	60	81.3	32,000*				
	70	79.6	32,000*	80.7	32,000*	81.8	32,000*
	80	77.9	32,000*	79.0	32,000*	80.0	31,530*
	90	76.1	32,000*	77.3	32,000*	78.3	29,940*
	100	74.4	32,000*	75.5	32,000*	76.5	28,470*
	110	72.7	32,000*	73.8	32,000*	74.8	27,250*
	120	70.9	30,370	72.0	30,370	73.0	26,170*
	130	69.1	26,260	70.2	26,260	71.2	25,030*
	140	67.3	22,780	68.4	22,780	69.3	22,790
	150	65.4	19,800	66.5	19,800	67.5	19,810
	160	63.6	17,230	64.6	17,240	65.6	17,250
	170	61.7	14,970	62.7	14,980	63.7	14,990
	180	59.8	12,990	60.8	13,000	61.7	13,010
	190	57.8	11,230	58.8	11,240	59.7	11,250
	200	55.8	9,660	56.8	9,670	57.7	9,680
	210	53.7	8,260	54.7	8,260	55.6	8,270
	220	51.6	6,990	52.6	7,000	53.4	7,010
	230	49.4	5,840	50.4	5,850	51.2	5,860
	240	47.1	4,790	48.1	4,800	48.9	4,820
250	44.8	3,850	45.7	3,860	46.5	3,870	
50' (15.2M) JIB & 130' (39.6M) BOOM	35	81.8	32,000*				
	40	80.2	32,000*				
	50	77.0	31,320*	79.6	28,880*		
	60	73.7	30,180*	76.3	27,950*	78.8	25,020*
	70	70.4	29,140*	73.0	27,200*	75.4	22,960*
	80	66.9	28,190*	69.5	26,560*	71.9	21,180*
	90	63.4	27,440*	66.0	25,820*	68.3	19,660*
	100	59.8	26,620*	62.3	23,700*	64.6	18,410*

Boom and Jib Length	Jib Radius (Feet)	5.0 Deg Offset		15.0 Deg Offset		25.0 Deg Offset	
		Boom Angle	Ratings (Pounds)	Boom Angle	Ratings (Pounds)	Boom Angle	Ratings (Pounds)
130' (con't)	110	56.0	26,010*	58.5	21,930*	60.7	17,400*
	120	52.1	24,520*	54.5	20,470*	56.6	16,470*
	130	47.9	22,710*	50.3	19,200*	52.3	15,710*
50' (15.2M) JIB & 140' (42.7M) BOOM	36	81.9	32,000*				
	40	80.7	32,000*				
	50	77.7	31,450*	80.2	28,930*		
	60	74.6	30,350*	77.1	28,110*	79.4	25,490*
	70	71.4	29,470*	73.9	27,330*	76.2	23,390*
	80	68.2	28,510*	70.7	26,690*	72.9	21,640*
	90	64.9	27,640*	67.4	26,040*	69.6	20,140*
	100	61.6	26,990*	63.9	24,490*	66.1	18,890*
	110	58.1	26,240*	60.4	22,680*	62.5	17,780*
	120	54.4	25,650*	56.7	21,180*	58.8	16,890*
130	50.6	23,830*	52.9	19,910*	54.8	16,120*	
140	46.5	22,230*	48.8	18,780*	50.6	15,450*	
50' (15.2M) JIB & 150' (45.7M) BOOM	38	81.8	32,000*				
	40	81.2	32,000*				
	50	78.3	31,720*	80.7	29,000*		
	60	75.4	30,630*	77.7	28,270*	80.0	25,820*
	70	72.4	29,660*	74.7	27,530*	76.9	23,800*
	80	69.4	28,820*	71.7	26,870*	73.8	22,000*
	90	66.3	27,930*	68.6	26,290*	70.7	20,510*
	100	63.1	27,250*	65.4	25,310*	67.4	19,300*
	110	59.8	26,600*	62.1	23,480*	64.1	18,240*
	120	56.4	26,010*	58.7	21,900*	60.6	17,300*
130	52.9	24,810*	55.1	20,570*	57.0	16,510*	
140	49.2	23,190*	51.4	19,400*	53.2	15,760*	
150	45.2	21,780*	47.4	18,400*	49.1	15,230*	
50' (15.2M) JIB & 160' (48.8M) BOOM	39	81.9	32,000*				
	40	81.6	32,000*				
	50	78.9	31,880*	81.1	29,090*		
	60	76.1	30,800*	78.3	28,270*	80.5	26,160*
	70	73.2	29,820*	75.5	27,610*	77.6	24,160*
	80	70.4	29,050*	72.6	26,970*	74.7	22,430*
	90	67.5	28,160*	69.7	26,430*	71.7	20,930*
	100	64.5	27,500*	66.7	25,900*	68.6	19,710*
	110	61.4	26,840*	63.6	24,200*	65.5	18,580*
	120	58.2	26,190*	60.4	22,630*	62.3	17,670*
130	55.0	25,700*	57.1	21,260*	58.9	16,840*	
140	51.5	24,160*	53.6	20,050*	55.4	16,140*	
150	47.9	22,670*	50.0	18,980*	51.7	15,490*	
160	44.1	21,300*	46.1	18,100*	47.7	14,990*	
50' (15.2M) JIB & 170' (51.8M) BOOM	40	82.0	32,000*				
	50	79.4	31,920*	81.5	29,150*		
	60	76.7	30,970*	78.9	28,390*	80.9	26,390*
	70	74.0	30,100*	76.2	27,700*	78.2	24,420*
	80	71.3	29,230*	73.4	27,060*	75.4	22,790*
	90	68.5	28,430*	70.6	26,480*	72.6	21,300*
	100	65.7	27,710*	67.8	26,010*	69.7	20,030*
	110	62.8	27,110*	64.9	24,930*	66.7	18,960*
	120	59.8	26,440*	61.9	23,300*	63.7	17,990*
	130	56.8	25,920*	58.8	21,900*	60.6	17,200*
140	53.6	25,160*	55.6	20,710*	57.3	16,490*	
150	50.2	23,590*	52.2	19,620*	53.9	15,850*	
160	46.7	22,190*	48.7	18,650*	50.3	15,270*	
170	43.0	21,000*	44.9	17,830*	46.4	14,800*	
50' (15.2M) JIB & 180' (54.9M) BOOM	42	81.8	32,000*				
	50	79.8	32,000*	81.9	29,100*		
	60	77.3	31,060*	79.4	28,450*	81.3	26,390*
	70	74.7	30,240*	76.8	27,760*	78.7	24,750*
	80	72.1	29,390*	74.2	27,130*	76.1	23,150*
	90	69.5	28,580*	71.5	26,660*	73.4	21,650*
	100	66.8	27,930*	68.8	26,120*	70.7	20,390*
	110	64.1	27,270*	66.1	25,670*	67.9	19,300*
	120	61.3	26,700*	63.3	23,980*	65.0	18,380*
	130	58.4	26,150*	60.3	22,510*	62.1	17,550*
140	55.4	25,600*	57.3	21,300*	59.0	16,800*	
150	52.3	24,420*	54.2	20,190*	55.8	16,150*	
160	49.1	22,980*	50.9	19,200*	52.5	15,580*	
170	45.6	21,480*	47.5	18,350*	49.0	15,080*	
180	42.0	19,530*	43.8	17,610*	45.2	14,660*	

**LIFT RATINGS IN POUNDS (continued)**

**With 92HI Offset Tip Boom and 172,000 Pound Counterweight, 16HL Jib**

Boom and Jib Length	Jib Radius (Feet)	5.0 Deg Offset		15.0 Deg Offset		25.0 Deg Offset	
		Boom Angle	Ratings (Pounds)	Boom Angle	Ratings (Pounds)	Boom Angle	Ratings (Pounds)
50' (15.2M) JIB & 190' (57.9M) BOOM	43	81.9	32,000*				
	50	80.3	32,000*				
	60	77.8	31,130*	79.8	28,510*	81.7	26,360*
	70	75.4	30,280*	77.4	27,860*	79.2	25,130*
	80	72.9	29,550*	74.9	27,230*	76.7	23,410*
	90	70.4	28,840*	72.3	26,730*	74.1	21,980*
	100	67.8	28,150*	69.8	26,210*	71.5	20,720*
	110	65.2	27,510*	67.2	25,790*	68.9	19,640*
	120	62.6	26,880*	64.5	24,580*	66.2	18,720*
	130	59.9	26,300*	61.7	23,160*	63.4	17,830*
	140	57.0	25,890*	58.9	21,860*	60.5	17,100*
	150	54.1	25,320*	56.0	20,710*	57.5	16,410*
	160	51.1	23,170	52.9	19,750*	54.4	15,870*
170	48.0	20,940	49.7	18,860*	51.2	15,330*	
180	44.6	18,990	46.4	18,070*	47.8	14,890*	
190	41.1	17,250	42.8	17,260	44.1	14,540*	
50' (15.2M) JIB & 200' (61.0M) BOOM	45	81.8	32,000*				
	50	80.6	32,000*				
	60	78.3	31,310*	80.2	28,520*		
	70	76.0	30,430*	77.9	27,950*	79.6	25,400*
	80	73.6	29,640*	75.5	27,320*	77.2	23,740*
	90	71.2	28,940*	73.1	26,770*	74.8	22,270*
	100	68.8	28,280*	70.6	26,380*	72.3	21,100*
	110	66.3	27,700*	68.1	25,870*	69.8	20,010*
	120	63.8	27,040*	65.6	25,240*	67.2	19,010*
	130	61.2	26,570*	63.0	23,730*	64.6	18,130*
	140	58.5	26,100*	60.3	22,430*	61.9	17,410*
	150	55.8	25,150	57.6	21,240*	59.1	16,730*
	160	53.0	22,600	54.7	20,290*	56.2	16,160*
170	50.0	20,360	51.7	19,380*	53.2	15,600*	
180	46.9	18,400	48.6	18,410	50.0	15,150*	
190	43.7	16,660	45.3	16,670	46.6	14,760*	
200	40.2	15,110	41.8	15,120	43.0	14,400*	
50' (15.2M) JIB & 210' (64.0M) BOOM	46	81.9	32,000*				
	50	81.0	32,000*				
	60	78.8	31,360*	80.6	28,540*		
	70	76.5	30,590*	78.4	27,920*	80.1	25,680*
	80	74.3	29,860*	76.1	27,450*	77.8	24,000*
	90	72.0	29,110*	73.8	26,880*	75.4	22,570*
	100	69.6	28,410*	71.4	26,440*	73.1	21,320*
	110	67.3	27,840*	69.0	25,970*	70.6	20,270*
	120	64.9	27,250*	66.6	25,580*	68.2	19,290*
	130	62.4	26,690*	64.1	24,290*	65.7	18,480*
	140	59.9	26,230*	61.6	22,980*	63.1	17,690*
	150	57.3	24,610	59.0	21,790*	60.5	17,030*
	160	54.6	22,050	56.3	20,780*	57.7	16,420*
170	51.8	19,810	53.5	19,820	54.9	15,840*	
180	49.0	17,840	50.6	17,850	52.0	15,360*	
190	45.9	16,100	47.6	16,110	48.9	14,940*	
200	42.8	14,550	44.3	14,560	45.6	14,570	
210	39.4	13,160	40.9	13,170	42.1	13,190	
50' (15.2M) JIB & 220' (67.1M) BOOM	47	82.0	32,000*				
	50	81.3	32,000*				
	60	79.2	31,420*	81.0	28,520*		
	70	77.0	30,750*	78.8	27,970*	80.4	25,850*
	80	74.9	29,950*	76.6	27,480*	78.2	24,260*
	90	72.6	29,210*	74.4	26,920*	76.0	22,850*
	100	70.4	28,660*	72.1	26,510*	73.7	21,650*
	110	68.1	27,990*	69.9	26,050*	71.4	20,520*
	120	65.8	27,450*	67.5	25,630*	69.1	19,620*
	130	63.5	26,900*	65.2	24,860*	66.7	18,700*
	140	61.1	26,370*	62.8	23,560*	64.2	17,920*
	150	58.6	24,060	60.3	22,370*	61.7	17,300*
	160	56.1	21,490	57.7	21,240*	59.2	16,690*
170	53.5	19,260	55.1	19,260	56.5	16,080*	
180	50.8	17,280	52.4	17,290	53.7	15,620*	
190	48.0	15,540	49.6	15,550	50.8	15,160*	
200	45.0	13,990	46.6	14,000	47.8	14,020	
210	41.9	12,600	43.4	12,610	44.6	12,630	
220	38.6	11,350	40.1	11,360	41.2	11,380	

Boom and Jib Length	Jib Radius (Feet)	5.0 Deg Offset		15.0 Deg Offset		25.0 Deg Offset	
		Boom Angle	Ratings (Pounds)	Boom Angle	Ratings (Pounds)	Boom Angle	Ratings (Pounds)
50' (15.2M) JIB & 230' (70.1M) BOOM	49	81.9	32,000*				
	50	81.7	32,000*				
	60	79.6	31,420*	81.3	28,460*		
	70	77.5	30,750*	79.2	28,040*	80.8	25,860*
	80	75.4	30,010*	77.1	27,490*	78.7	24,490*
	90	73.3	29,290*	75.0	27,050*	76.5	23,100*
	100	71.1	28,680*	72.8	26,550*	74.3	21,880*
	110	69.0	28,150*	70.6	26,140*	72.1	20,850*
	120	66.8	27,530*	68.4	25,750*	69.9	19,840*
	130	64.5	27,030*	66.1	25,340*	67.6	19,000*
	140	62.2	26,560*	63.8	24,060*	65.3	18,260*
	150	59.9	23,720	61.5	22,870*	62.9	17,510*
	160	57.5	21,150	59.1	21,160	60.4	16,940*
170	55.0	18,920	56.6	18,920	57.9	16,320*	
180	52.5	16,950	54.0	16,960	55.3	15,820*	
190	49.8	15,200	51.3	15,210	52.6	15,220	
200	47.1	13,640	48.6	13,650	49.8	13,670	
210	44.2	12,250	45.7	12,260	46.8	12,280	
220	41.1	11,000	42.6	11,010	43.7	11,030	
230	37.9	9,870	39.3	9,880	40.3	9,900	
50' (15.2M) JIB & 240' (73.2M) BOOM	50	81.9	32,000*				
	60	79.9	31,500*	81.6	28,480*		
	70	77.9	30,750*	79.6	28,030*	81.1	25,920*
	80	75.9	30,090*	77.5	27,510*	79.1	24,770*
	90	73.9	29,380*	75.5	27,080*	77.0	23,350*
	100	71.8	28,790*	73.4	26,580*	74.9	22,200*
	110	69.7	28,270*	71.3	26,200*	72.8	21,130*
	120	67.6	27,660*	69.2	25,820*	70.6	20,100*
	130	65.4	27,230*	67.0	25,410*	68.4	19,260*
	140	63.3	26,160	64.8	24,580*	66.2	18,470*
	150	61.0	23,190	62.6	23,200	63.9	17,790*
	160	58.7	20,620	60.3	20,630	61.6	17,170*
	170	56.4	18,380	57.9	18,390	59.2	16,560*
180	54.0	16,410	55.5	16,420	56.8	16,050*	
190	51.5	14,660	53.0	14,670	54.2	14,680	
200	48.9	13,110	50.4	13,120	51.6	13,130	
210	46.2	11,710	47.6	11,720	48.8	11,740	
220	43.4	10,450	44.8	10,460	45.9	10,480	
230	40.4	9,320	41.8	9,330	42.8	9,340	
240	37.2	8,300	38.5	8,310	39.5	8,330	
50' (15.2M) JIB & 250' (76.2M) BOOM	52	81.8	32,000*				
	60	80.3	31,550*	81.9	28,510*		
	70	78.3	30,930*	79.9	28,010*	81.4	25,860*
	80	76.4	30,140*	78.0	27,530*	79.4	25,010*
	90	74.4	29,570*	76.0	27,090*	77.5	23,660*
	100	72.4	28,990*	74.0	26,720*	75.4	22,400*
	110	70.4	28,370*	72.0	26,230*	73.4	21,340*
	120	68.4	27,810*	69.9	25,860*	71.3	20,400*
	130	66.3	27,330*	67.8	25,560*	69.2	19,510*
	140	64.2	25,590	65.7	25,070*	67.1	18,700*
	150	62.1	22,630	63.6	22,630	64.9	18,050*
	160	59.9	20,060	61.4	20,070	62.7	17,400*
	170	57.6	17,810	59.1	17,820	60.4	16,790*
180	55.3	15,850	56.8	15,850	58.1	15,870	
190	53.0	14,090	54.4	14,100	55.7	14,110	
200	50.5	12,530	52.0	12,540	53.2	12,550	
210	48.0	11,130	49.4	11,140	50.6	11,150	
220	45.4	9,880	46.7	9,880	47.8	9,900	
230	42.6	8,740	43.9	8,740	45.0	8,760	
240	39.6	7,700	41.0	7,710	42.0	7,730	
250	36.5	6,770	37.8	6,780	38.7	6,800	
50' (15.2M) JIB & 260' (79.2M) BOOM	53	81.9	32,000*				
	60	80.6	31,550*				
	70	78.7	30,900*	80.3	27,990*	81.7	25,870*
	80	76.8	30,200*	78.4	27,560*	79.8	25,250*
	90	74.9	29,650*	76.5	27,100*	77.9	23,870*
	100	73.0	28,990*	74.5	26,750*	75.9	22,670*
	110	71.1	28,450*	72.6	26,260*	74.0	21,570*
	120	69.1	27,890*	70.6	25,880*	72.0	20,630*
	130	67.1	27,430*	68.6	25,520*	69.9	19,800*
	140	65.1	25,060	66.6	25,070	67.9	18,990*
	150	63.0	22,090	64.5	22,100	65.8	18,250*
	160	61.0	19,520	62.4	19,530	63.7	17,610*
	170	58.8	17,280	60.3	17,280	61.5	17,080*

**LIFT RATINGS IN POUNDS (continued)**

**With 92HI Offset Tip Boom and 172,000 Pound Counterweight, 16HL Jib**

Boom and Jib Length	Jib Radius (Feet)	5.0 Deg Offset		15.0 Deg Offset		25.0 Deg Offset	
		Boom Angle	Ratings (Pounds)	Boom Angle	Ratings (Pounds)	Boom Angle	Ratings (Pounds)
260' (con't)	180	56.6	15,300	58.0	15,310	59.3	15,320
	190	54.4	13,550	55.8	13,560	57.0	13,570
	200	52.0	11,990	53.4	12,000	54.6	12,010
	210	49.7	10,590	51.0	10,590	52.2	10,610
	220	47.2	9,320	48.5	9,330	49.6	9,340
	230	44.6	8,180	45.9	8,180	47.0	8,200
	240	41.8	7,150	43.2	7,160	44.2	7,170
	250	39.0	6,200	40.3	6,210	41.2	6,230
260	35.9	5,350	37.1	5,360	38.0	5,380	
50' (15.2M) JIB & 270' (82.3M) BOOM	54	82.0	31,970*				
	60	80.9	31,620*				
	70	79.1	30,990*	80.6	27,980*	82.0	25,820*
	80	77.3	30,250*	78.7	27,580*	80.1	25,450*
	90	75.4	29,720*	76.9	27,100*	78.3	24,060*
	100	73.6	29,040*	75.0	26,760*	76.4	22,860*
	110	71.7	28,490*	73.2	26,290*	74.5	21,850*
	120	69.8	28,060*	71.2	25,990*	72.6	20,820*
	130	67.9	27,560*	69.3	25,640*	70.6	20,010*
	140	65.9	24,530	67.4	24,540	68.6	19,230*
	150	64.0	21,550	65.4	21,560	66.6	18,490*
	160	61.9	18,980	63.4	18,980	64.6	17,830*
	170	59.9	16,730	61.3	16,740	62.5	16,750
	180	57.8	14,750	59.2	14,760	60.4	14,770
	190	55.6	12,990	57.0	13,000	58.2	13,020
	200	53.4	11,440	54.8	11,450	55.9	11,460
	210	51.2	10,030	52.5	10,030	53.6	10,050
	220	48.8	8,770	50.1	8,770	51.2	8,790
230	46.4	7,620	47.7	7,630	48.7	7,640	
240	43.8	6,590	45.1	6,600	46.1	6,610	
250	41.2	5,640	42.4	5,650	43.4	5,670	
260	38.3	4,780	39.6	4,790	40.4	4,810	
270	35.3	3,990	36.5	4,000	37.3	4,020	
50' (15.2M) JIB & 280' (85.3M) BOOM	56	81.9	31,660*				
	60	81.2	31,490*				
	70	79.4	30,900*	80.9	27,920*		
	80	77.7	30,240*	79.1	27,470*	80.4	25,370*
	90	75.9	29,630*	77.3	27,080*	78.6	24,320*
	100	74.1	29,080*	75.5	26,650*	76.8	23,150*
	110	72.3	28,540*	73.7	26,300*	75.0	22,050*
	120	70.4	28,010*	71.8	25,890*	73.1	21,120*
	130	68.6	27,510*	70.0	25,550*	71.3	20,180*
	140	66.7	24,160	68.1	24,160	69.3	19,470*
	150	64.8	21,180	66.2	21,190	67.4	18,750*
	160	62.9	18,610	64.2	18,620	65.5	18,070*
	170	60.9	16,360	62.3	16,370	63.4	16,380
	180	58.9	14,390	60.2	14,390	61.4	14,410
	190	56.8	12,630	58.2	12,630	59.3	12,650
	200	54.7	11,060	56.0	11,070	57.2	11,080
	210	52.6	9,660	53.9	9,660	55.0	9,680
	220	50.3	8,390	51.6	8,400	52.7	8,420
230	48.0	7,240	49.3	7,250	50.3	7,270	
240	45.6	6,210	46.9	6,220	47.9	6,240	
250	43.1	5,260	44.4	5,270	45.3	5,290	
260	40.5	4,400	41.7	4,410	42.6	4,430	
270	37.7	3,610	38.9	3,620	39.7	3,640	
50' (15.2M) JIB & 290' (88.4M) BOOM	57	81.9	31,620*				
	60	81.4	31,390*				
	70	79.7	30,860*	81.1	27,830*		
	80	78.0	30,160*	79.4	27,420*	80.7	25,250*
	90	76.3	29,590*	77.7	27,070*	79.0	24,510*
	100	74.6	29,120*	75.9	26,650*	77.2	23,320*
	110	72.8	28,570*	74.2	26,280*	75.4	22,250*
	120	71.0	28,030*	72.4	25,980*	73.7	21,260*
	130	69.2	27,110	70.6	25,530*	71.8	20,470*
	140	67.4	23,640	68.8	23,640	70.0	19,640*
	150	65.6	20,660	66.9	20,660	68.1	18,920*
	160	63.7	18,080	65.1	18,090	66.2	18,100
	170	61.8	15,840	63.2	15,840	64.3	15,860
	180	59.9	13,850	61.2	13,860	62.4	13,870
	190	57.9	12,100	59.2	12,110	60.4	12,120
	200	55.9	10,530	57.2	10,540	58.3	10,550
	210	53.8	9,130	55.1	9,130	56.2	9,150
	220	51.7	7,850	53.0	7,860	54.0	7,880
230	49.5	6,710	50.8	6,720	51.8	6,740	

Boom and Jib Length	Jib Radius (Feet)	5.0 Deg Offset		15.0 Deg Offset		25.0 Deg Offset	
		Boom Angle	Ratings (Pounds)	Boom Angle	Ratings (Pounds)	Boom Angle	Ratings (Pounds)
290' (con't)	240	47.3	5,660	48.5	5,670	49.5	5,690
	250	44.9	4,720	46.1	4,730	47.1	4,750
	260	42.4	3,850	43.6	3,860	44.6	3,880
	270	39.9	3,060	41.0	3,070	41.9	3,090
	280	37.4	2,320	38.5	2,330	39.4	2,350
50' (15.2M) JIB & 300' (91.4M) BOOM	59	81.8	31,440*				
	60	81.7	31,440*				
	70	80.0	30,790*	81.4	27,880*		
	80	78.4	30,320*	79.7	27,430*	81.0	25,220*
	90	76.7	29,690*	78.0	27,070*	79.3	24,680*
	100	75.0	29,120*	76.4	26,730*	77.6	23,480*
	110	73.3	28,710*	74.6	26,340*	75.9	22,480*
	120	71.6	28,190*	72.9	25,910*	74.1	21,500*
	130	69.9	26,570	71.2	25,590*	72.4	20,620*
	140	68.1	23,090	69.4	23,090	70.6	19,860*
	150	66.3	20,110	67.6	20,110	68.8	19,180*
	160	64.5	17,530	65.8	17,530	67.0	17,550
	170	62.7	15,280	64.0	15,290	65.1	15,300
	180	60.8	13,300	62.1	13,300	63.2	13,320
	190	58.9	11,540	60.2	11,540	61.3	11,560
	200	57.0	9,970	58.3	9,970	59.4	9,990
	210	55.0	8,560	56.3	8,570	57.3	8,580
	220	53.0	7,290	54.2	7,300	55.3	7,320
230	50.9	6,140	52.1	6,150	53.2	6,160	
240	48.8	5,100	50.0	5,110	51.0	5,130	
250	46.5	4,140	47.7	4,150	48.7	4,170	
260	44.2	3,270	45.4	3,280	46.3	3,300	
60' (18.3M) JIB & 150' (45.7M) BOOM	40	81.8	30,030*				
	50	79.1	28,950*	81.8	26,180*		
	60	76.3	27,870*	79.0	25,360*	81.6	22,670*
	70	73.5	26,880*	76.2	24,650*	78.7	20,790*
	80	70.6	25,950*	73.3	24,000*	75.8	19,280*
	90	67.7	25,120*	70.4	23,320*	72.8	17,970*
	100	64.7	24,360*	67.3	22,130*	69.8	16,830*
	110	61.6	23,680*	64.2	20,490*	66.6	15,840*
120	58.5	23,060*	61.1	19,080*	63.4	15,030*	
130	55.2	21,770*	57.7	17,920*	60.0	14,290*	
140	51.8	20,300*	54.3	16,860*	56.4	13,670*	
150	48.1	19,030*	50.6	15,990*	52.7	13,120*	
60' (18.3M) JIB & 160' (48.8M) BOOM	41	82.0	30,100*				
	50	79.6	29,040*				
	60	76.9	27,960*	79.5	25,480*	82.0	22,840*
	70	74.3	27,100*	76.8	24,710*	79.3	21,050*
	80	71.5	26,150*	74.1	24,050*	76.5	19,550*
	90	68.8	25,410*	71.3	23,490*	73.7	18,280*
	100	65.9	24,630*	68.5	22,760*	70.8	17,160*
	110	63.0	23,910*	65.5	21,040*	67.8	16,160*
	120	60.1	23,340*	62.5	19,690*	64.8	15,350*
	130	57.0	22,620*	59.4	18,470*	61.6	14,590*
	140	53.8	21,100*	56.2	17,420*	58.3	13,930*
	150	50.5	19,730*	52.9	16,460*	54.9	13,370*
160	47.0	18,600*	49.3	15,670*	51.3	12,920*	
60' (18.3M) JIB & 170' (51.8M) BOOM	43	81.8	29,870*				
	50	80.0	29,150*				
	60	77.5	28,190*	80.0	25,510*		
	70	75.0	27,200*	77.4	24,870*	79.8	21,340*
	80	72.4	26,360*	74.8	24,190*	77.1	19,850*
	90	69.7	25,550*	72.2	23,560*	74.4	18,510*
	100	67.0	24,870*	69.5	23,060*	71.7	17,410*
	110	64.3	24,190*	66.7	21,630*	68.9	16,440*
	120	61.5	23,520*	63.9	20,230*	66.0	15,590*
	130	58.6	23,020*	61.0	19,010*	63.0	14,900*
	140	55.6	21,950*	57.9	17,920*	60.0	14,210*
	150	52.5	20,520*	54.8	16,930*	56.8	13,670*
160	49.3	19,280*	51.5	16,110*	53.4	13,150*	
170	45.9	18,220*	48.1	15,360*	49.9	12,700*	
60' (18.3M) JIB & 180' (54.9M) BOOM	44	81.9	29,770*				
	50	80.5	29,210*				
	60	78.0	28,160*	80.4	25,490*		
	70	75.6	27,270*	78.0	24,890*	80.2	21,580*
	80	73.1	26,450*	75.5	24,310*	77.7	20,130*
	90	70.6	25,720*	72.9	23,710*		



**LIFT RATINGS IN POUNDS (continued)**

**With 92HI Offset Tip Boom and 172,000 Pound Counterweight, 16HL Jib**

Boom and Jib Length	Jib Radius (Feet)	5.0 Deg Offset		15.0 Deg Offset		25.0 Deg Offset	
		Boom Angle	Ratings (Pounds)	Boom Angle	Ratings (Pounds)	Boom Angle	Ratings (Pounds)
180' (con't)	120	62.8	23,770*	65.1	20,760*	67.1	15,880*
	130	60.1	23,170*	62.3	19,470*	64.3	15,140*
	140	57.2	22,710*	59.5	18,420*	61.5	14,480*
	150	54.3	21,240*	56.6	17,400*	58.5	13,920*
	160	51.3	19,970*	53.5	16,550*	55.4	13,380*
	170	48.2	18,880*	50.3	15,790*	52.1	12,920*
180	44.8	17,910*	46.9	15,150*	48.7	12,530*	
60' (18.3M) JIB & 190' (57.9M) BOOM	45	82.0	29,710*				
	50	80.8	29,210*				
	60	78.5	28,290*	80.8	25,540*		
	70	76.2	27,490*	78.5	24,940*	80.6	21,800*
	80	73.8	26,660*	76.1	24,350*	78.2	20,350*
	90	71.4	25,900*	73.7	23,770*	75.8	19,060*
	100	69.0	25,230*	71.2	23,250*	73.3	17,920*
	110	66.5	24,580*	68.7	22,760*	70.7	16,970*
	120	64.0	23,950*	66.2	21,310*	68.2	16,120*
	130	61.4	23,410*	63.6	20,020*	65.5	15,390*
	140	58.7	22,870*	60.9	18,830*	62.8	14,750*
	150	56.0	22,030*	58.1	17,850*	60.0	14,150*
	160	53.1	20,690*	55.3	17,020*	57.1	13,650*
	170	50.2	19,520*	52.3	16,240*	54.0	13,160*
180	47.1	18,550*	49.2	15,530*	50.9	12,750*	
190	43.9	17,550	45.9	14,930*	47.5	12,400*	
60' (18.3M) JIB & 200' (61.0M) BOOM	47	81.9	29,610*				
	50	81.2	29,340*				
	60	79.0	28,400*	81.2	25,630*		
	70	76.7	27,580*	78.9	24,990*	81.0	22,020*
	80	74.4	26,870*	76.6	24,380*	78.7	20,570*
	90	72.2	26,060*	74.3	23,910*	76.3	19,270*
	100	69.8	25,380*	72.0	23,380*	74.0	18,220*
	110	67.5	24,810*	69.6	22,900*	71.5	17,260*
	120	65.0	24,210*	67.2	21,740*	69.1	16,370*
	130	62.6	23,600*	64.7	20,510*	66.6	15,670*
	140	60.1	23,100*	62.1	19,340*	64.0	14,970*
	150	57.5	22,600*	59.5	18,310*	61.3	14,390*
	160	54.8	21,440*	56.8	17,430*	58.6	13,840*
	170	52.0	20,240*	54.0	16,630*	55.8	13,390*
180	49.1	18,700	51.1	15,940*	52.8	12,950*	
190	46.1	16,960	48.1	15,280*	49.7	12,580*	
200	42.9	15,410	44.9	14,720*	46.4	12,300*	
60' (18.3M) JIB & 210' (64.0M) BOOM	48	82.0	29,500*				
	50	81.5	29,340*				
	60	79.4	28,510*	81.5	25,620*		
	70	77.2	27,670*	79.3	25,030*	81.3	22,180*
	80	75.0	26,950*	77.1	24,420*	79.1	20,730*
	90	72.8	26,170*	74.9	23,920*	76.9	19,530*
	100	70.6	25,550*	72.7	23,500*	74.6	18,450*
	110	68.3	24,900*	70.4	22,980*	72.3	17,450*
	120	66.0	24,340*	68.1	22,290*	69.9	16,640*
	130	63.7	23,830*	65.7	20,990*	67.5	15,870*
	140	61.3	23,340*	63.3	19,770*	65.1	15,180*
	150	58.8	22,830*	60.8	18,750*	62.6	14,610*
	160	56.3	22,070*	58.3	17,870*	60.0	14,070*
	170	53.7	20,120	55.6	17,010*	57.3	13,590*
180	51.0	18,140	52.9	16,330*	54.5	13,170*	
190	48.2	16,400	50.1	15,640*	51.6	12,790*	
200	45.2	14,850	47.1	14,860	48.6	12,450*	
210	42.1	13,460	43.9	13,470	45.4	12,170*	
60' (18.3M) JIB & 220' (67.1M) BOOM	50	81.8	29,370*				
	60	79.8	28,600*	81.8	25,610*		
	70	77.7	27,760*	79.7	25,090*	81.6	22,330*
	80	75.6	27,080*	77.6	24,560*	79.5	20,940*
	90	73.5	26,330*	75.5	24,050*	77.4	19,750*
	100	71.3	25,710*	73.3	23,500*	75.2	18,630*
	110	69.1	25,090*	71.1	23,090*	73.0	17,690*
	120	66.9	24,550*	68.9	22,630*	70.7	16,870*
	130	64.7	23,970*	66.7	21,430*	68.4	16,100*
	140	62.4	23,420*	64.3	20,220*	66.1	15,410*
150	60.1	22,950*	62.0	19,180*	63.7	14,850*	
160	57.6	21,790	59.6	18,280*	61.2	14,260*	
170	55.2	19,560	57.1	17,430*	58.7	13,800*	
180	52.6	17,590	54.5	16,690*	56.1	13,350*	
190	50.0	15,840	51.8	15,850	53.4	12,950*	
200	47.2	14,280	49.1	14,290	50.6	12,600*	

Boom and Jib Length	Jib Radius (Feet)	5.0 Deg Offset		15.0 Deg Offset		25.0 Deg Offset	
		Boom Angle	Ratings (Pounds)	Boom Angle	Ratings (Pounds)	Boom Angle	Ratings (Pounds)
220' (con't)	210	44.3	12,890	46.1	12,900	47.6	12,310*
	220	41.3	11,640	43.0	11,650	44.4	11,680
60' (18.3M) JIB & 230' (70.1M) BOOM	51	81.9	29,250*				
	60	80.1	28,490*				
	70	78.1	27,810*	80.1	25,000*	81.9	22,520*
	80	76.1	27,090*	78.1	24,460*	79.9	21,120*
	90	74.0	26,460*	76.0	24,010*	77.8	19,940*
	100	72.0	25,760*	73.9	23,590*	75.7	18,840*
	110	69.9	25,180*	71.8	23,110*	73.6	17,920*
	120	67.8	24,580*	69.7	22,700*	71.4	17,080*
	130	65.6	24,050*	67.5	21,820*	69.2	16,340*
	140	63.4	23,600*	65.3	20,680*	67.0	15,610*
	150	61.2	23,140*	63.1	19,560*	64.7	15,000*
	160	58.9	21,450	60.8	18,640*	62.4	14,450*
	170	56.5	19,210	58.4	17,810*	60.0	13,970*
	180	54.1	17,240	56.0	17,010*	57.5	13,560*
190	51.6	15,500	53.4	15,510	55.0	13,120*	
200	49.0	13,940	50.8	13,950	52.3	12,760*	
210	46.3	12,540	48.1	12,550	49.5	12,470*	
220	43.5	11,290	45.2	11,300	46.6	11,320	
230	40.5	10,160	42.2	10,170	43.5	10,190	
60' (18.3M) JIB & 240' (73.2M) BOOM	52	82.0	29,120*				
	60	80.4	28,510*				
	70	78.5	27,780*	80.4	24,980*		
	80	76.6	27,120*	78.5	24,490*	80.2	21,330*
	90	74.6	26,490*	76.5	24,010*	78.2	20,080*
	100	72.6	25,920*	74.5	23,580*	76.2	19,070*
	110	70.6	25,240*	72.5	23,210*	74.2	18,130*
	120	68.6	24,700*	70.4	22,730*	72.1	17,290*
	130	66.5	24,260*	68.3	22,300*	70.0	16,530*
	140	64.4	23,730*	66.2	21,070*	67.9	15,860*
	150	62.2	23,300*	64.1	20,030*	65.7	15,250*
	160	60.0	20,920	61.9	19,040*	63.4	14,670*
	170	57.8	18,680	59.6	18,140*	61.2	14,200*
	180	55.5	16,710	57.3	16,710	58.8	13,710*
190	53.1	14,960	54.9	14,970	56.4	13,290*	
200	50.7	13,400	52.4	13,410	53.9	12,920*	
210	48.2	12,000	49.9	12,010	51.3	12,030	
220	45.5	10,750	47.2	10,750	48.6	10,770	
230	42.7	9,610	44.4	9,620	45.7	9,640	
240	39.8	8,580	41.4	8,590	42.6	8,610	
60' (18.3M) JIB & 250' (76.2M) BOOM	54	81.9	29,020*				
	60	80.8	28,640*				
	70	78.9	27,980*	80.7	25,040*		
	80	77.0	27,240*	78.8	24,530*	80.6	21,440*
	90	75.1	26,610*	76.9	24,100*	78.6	20,320*
	100	73.2	26,030*	75.0	23,650*	76.7	19,270*
	110	71.2	25,480*	73.0	23,300*	74.7	18,300*
	120	69.3	24,840*	71.1	22,830*	72.7	17,450*
	130	67.3	24,380*	69.1	22,440*	70.7	16,710*
	140	65.3	23,930*	67.0	21,480*	68.6	16,070*
	150	63.2	22,920	65.0	20,450*	66.5	15,400*
	160	61.1	20,360	62.9	19,440*	64.4	14,840*
	170	59.0	18,120	60.7	18,130	62.2	14,360*
	180	56.8	16,140	58.5	16,150	60.0	13,900*
190	54.5	14,390	56.2	14,400	57.7	13,460*	
200	52.2	12,830	53.9	12,840	55.3	12,850	
210	49.8	11,430	51.5	11,440	52.9	11,450	
220	47.3	10,170	49.0	10,180	50.3	10,200	
230	44.7	9,030	46.3	9,040	47.6	9,060	
240	42.0	7,990	43.6	8,000	44.8	8,020	
250	39.1	7,050	40.7	7,070	41.8	7,090	
60' (18.3M) JIB & 260' (79.2M) BOOM	55	82.0	28,970*				
	60	81.0	28,640*				
	70	79.2	27,940*	81.0	24,990*		
	80	77.4	27,360*	79.2	24,570*	80.9	21,650*
	90	75.6	26,720*	77.3	24,080*	79.0	20,430*
	100	73.7	26,060*	75.5	23,730*	77.1	19,470*
	110	71.8	25,510*	73.6	23,290*	75.2	18,470*
	120	70.0	24,980*	71.7	22,880*	73.3	17,630*
	130	68.0	24,520*	69.8	22,540*	71.3</	

**LIFT RATINGS IN POUNDS (continued)**

**With 92HI Offset Tip Boom and 172,000 Pound Counterweight, 16HL Jib**

Boom and Jib Length	Jib Radius (Feet)	5.0 Deg Offset		15.0 Deg Offset		25.0 Deg Offset	
		Boom Angle	Ratings (Pounds)	Boom Angle	Ratings (Pounds)	Boom Angle	Ratings (Pounds)
260' (con't)	170	60.0	17,570	61.7	17,580	63.2	14,510*
	180	57.9	15,590	59.6	15,600	61.1	14,070*
	190	55.8	13,840	57.5	13,850	58.9	13,630*
	200	53.6	12,280	55.2	12,290	56.6	12,300
	210	51.3	10,880	52.9	10,880	54.3	10,900
	220	49.0	9,620	50.6	9,630	51.9	9,640
	230	46.5	8,470	48.1	8,480	49.4	8,500
	240	44.0	7,440	45.5	7,450	46.8	7,470
	250	41.3	6,490	42.8	6,500	44.0	6,520
	260	38.5	5,630	40.0	5,640	41.1	5,660
60' (18.3M) JIB & 270' (82.3M) BOOM	57	81.8	28,790*				
	60	81.3	28,660*				
	70	79.6	28,010*	81.3	25,050*		
	80	77.8	27,350*	79.5	24,580*	81.2	21,760*
	90	76.0	26,720*	77.7	24,160*	79.4	20,640*
	100	74.2	26,180*	75.9	23,690*	77.5	19,630*
	110	72.4	25,550*	74.1	23,360*	75.7	18,710*
	120	70.6	25,080*	72.3	22,950*	73.8	17,820*
	130	68.7	24,530*	70.4	22,610*	72.0	17,090*
	140	66.9	24,120*	68.5	22,270*	70.0	16,370*
60' (18.3M) JIB & 280' (85.3M) BOOM	58	81.9	28,640*				
	60	81.6	28,480*				
	70	79.9	27,810*	81.6	24,900*		
	80	78.2	27,230*	79.8	24,450*	81.4	21,920*
	90	76.4	26,690*	78.1	24,100*	79.7	20,750*
	100	74.7	26,070*	76.4	23,630*	77.9	19,770*
	110	72.9	25,550*	74.6	23,260*	76.1	18,860*
	120	71.2	25,090*	72.8	22,930*	74.3	17,980*
	130	69.4	24,590*	71.0	22,600*	72.5	17,270*
	140	67.6	24,140*	69.2	22,190*	70.7	16,560*
60' (18.3M) JIB & 290' (88.4M) BOOM	59	82.0	28,420*				
	60	81.8	28,400*				
	70	80.2	27,820*	81.8	24,850*		
	80	78.5	27,260*	80.1	24,460*	81.7	22,010*
	90	76.8	26,670*	78.5	24,010*	80.0	20,910*
	100	75.1	26,170*	76.8	23,690*	78.3	19,920*
	110	73.4	25,640*	75.1	23,230*	76.6	19,040*
	120	71.7	25,060*	73.3	22,890*	74.8	18,210*
	130	70.0	24,660*	71.6	22,550*	73.1	17,420*
	140	68.2	23,930	69.8	22,200*	71.3	16,770*

Boom and Jib Length	Jib Radius (Feet)	5.0 Deg Offset		15.0 Deg Offset		25.0 Deg Offset	
		Boom Angle	Ratings (Pounds)	Boom Angle	Ratings (Pounds)	Boom Angle	Ratings (Pounds)
290' (con't)	210	55.2	9,420	56.7	9,430	58.0	9,440
	220	53.1	8,140	54.6	8,150	55.9	8,170
	230	51.1	7,000	52.5	7,010	53.8	7,030
	240	48.9	5,950	50.4	5,960	51.6	5,980
	250	46.7	5,000	48.1	5,010	49.3	5,030
	260	44.4	4,130	45.8	4,140	46.9	4,160
	270	41.9	3,330	43.3	3,340	44.4	3,370
	70' (21.3M) JIB & 180' (54.9M) BOOM	46	82.0	22,290*			
50		81.0	21,900*				
60		78.7	21,140*	81.4	18,910*		
70		76.4	20,340*	79.0	18,320*	81.6	16,670*
80		74.0	19,640*	76.7	17,790*	79.2	16,300*
90		71.6	19,050*	74.2	17,290*	76.7	15,820*
100		69.2	18,450*	71.8	16,840*	74.2	15,430*
110		66.7	17,890*	69.3	16,430*	71.7	14,570*
120		64.2	17,410*	66.7	15,920*	69.1	13,830*
130		61.6	16,930*	64.1	15,450*	66.4	13,170*
70' (21.3M) JIB & 190' (57.9M) BOOM	48	81.8	22,170*				
	50	81.4	21,960*				
	60	79.2	21,160*	81.7	18,910*		
	70	76.9	20,440*	79.5	18,380*	81.9	16,710*
	80	74.6	19,760*	77.2	17,850*	79.6	16,330*
	90	72.3	19,200*	74.9	17,390*	77.3	15,910*
	100	70.0	18,590*	72.5	16,950*	74.9	15,440*
	110	67.6	18,060*	70.1	16,530*	72.5	14,820*
	120	65.2	17,540*	67.7	16,030*	70.0	14,060*
	130	62.8	17,090*	65.2	15,630*	67.5	13,360*
70' (21.3M) JIB & 200' (61.0M) BOOM	49	81.9	22,090*				
	50	81.7	22,010*				
	60	79.6	21,260*				
	70	77.4	20,610*	79.9	18,440*		
	80	75.2	19,960*	77.7	17,910*	80.0	16,350*
	90	73.0	19,310*	75.5	17,470*	77.8	15,920*
	100	70.8	18,710*	73.2	17,040*	75.5	15,500*
	110	68.5	18,220*	70.9	16,630*	73.2	15,010*
	120	66.2	17,680*	68.6	16,210*	70.8	14,210*
	130	63.9	17,250*	66.2	15,770*	68.4	13,560*
70' (21.3M) JIB & 210' (64.0M) BOOM	51	82.0	22,020*				
	50	81.8	21,900*				
	60	79.9	21,370*				
	70	77.9	20,620*	80.2	18,420*		
	80	75.8	19,980*	78.1	17,980*	80.4	16,310*
	90	73.6	19,380*	76.0	17,520*	78.2	15,980*
	100	71.5	18,840*	73.8	17,050*	76.0	15,560*
	110	69.3	18,360*	71.7	16,650*	73.8	15,200*
	120	67.1	17,810*	69.4	16,260*	71.6	14,390*
	130	64.9	17,390*	67.2	15,830*	69.3	13,750*

**LIFT RATINGS IN POUNDS (continued)**

**With 92HI Offset Tip Boom and 172,000 Pound Counterweight, 16HL Jib**

Boom and Jib Length	Jib Radius (Feet)	5.0 Deg Offset		15.0 Deg Offset		25.0 Deg Offset	
		Boom Angle	Ratings (Pounds)	Boom Angle	Ratings (Pounds)	Boom Angle	Ratings (Pounds)
70' (21.3M) JIB & 220' (67.1M) BOOM	52	81.9	21,920*				
	60	80.3	21,390*				
	70	78.3	20,720*	80.6	18,490*		
	80	76.3	20,080*	78.6	17,990*	80.7	16,340*
	90	74.2	19,490*	76.5	17,520*	78.6	15,970*
	100	72.2	18,980*	74.4	17,120*	76.5	15,610*
	110	70.1	18,430*	72.3	16,740*	74.4	15,250*
	120	67.9	17,990*	70.2	16,360*	72.2	14,590*
	130	65.8	17,510*	68.0	15,990*	70.0	13,900*
	140	63.6	17,050*	65.8	15,570*	67.8	13,350*
	150	61.4	16,670*	63.6	15,210*	65.5	12,780*
	160	59.1	16,300*	61.2	14,870*	63.2	12,290*
170	56.7	15,810*	58.9	14,560*	60.8	11,830*	
180	54.3	15,410*	56.4	14,310*	58.3	11,440*	
190	51.8	15,080*	53.9	13,850*	55.7	11,120*	
200	49.2	14,550	51.3	13,320*	53.1	10,800*	
210	46.5	13,150	48.6	12,840*	50.3	10,520*	
220	43.7	11,890	45.7	11,900	47.3	10,290*	
70' (21.3M) JIB & 230' (70.1M) BOOM	53	82.0	21,880*				
	60	80.6	21,400*				
	70	78.7	20,730*	80.9	18,420*		
	80	76.7	20,160*	78.9	17,970*	81.0	16,270*
	90	74.8	19,580*	77.0	17,560*	79.0	16,010*
	100	72.8	19,080*	75.0	17,130*	77.0	15,650*
	110	70.8	18,530*	72.9	16,750*	75.0	15,300*
	120	68.7	18,110*	70.9	16,450*	72.9	14,740*
	130	66.6	17,610*	68.8	16,080*	70.8	14,120*
	140	64.5	17,230*	66.7	15,660*	68.6	13,510*
	150	62.4	16,820*	64.5	15,290*	66.4	12,960*
	160	60.2	16,420*	62.3	14,990*	64.2	12,440*
170	58.0	16,000*	60.1	14,660*	61.9	12,010*	
180	55.7	15,620*	57.8	14,390*	59.6	11,610*	
190	53.3	15,240*	55.4	14,140*	57.1	11,260*	
200	50.9	14,190	52.9	13,600*	54.6	10,920*	
210	48.3	12,800	50.3	12,810	52.0	10,640*	
220	45.7	11,540	47.7	11,550	49.3	10,410*	
230	42.9	10,410	44.9	10,420	46.4	10,180*	
70' (21.3M) JIB & 240' (73.2M) BOOM	55	81.9	21,730*				
	60	80.9	21,430*				
	70	79.0	20,850*	81.2	18,420*		
	80	77.2	20,250*	79.3	18,050*	81.3	16,240*
	90	75.3	19,650*	77.4	17,560*	79.4	16,010*
	100	73.3	19,100*	75.5	17,180*	77.5	15,700*
	110	71.4	18,680*	73.5	16,840*	75.5	15,340*
	120	69.4	18,170*	71.5	16,510*	73.5	14,930*
	130	67.4	17,700*	69.5	16,150*	71.5	14,280*
	140	65.4	17,350*	67.5	15,800*	69.4	13,630*
	150	63.4	16,890*	65.4	15,400*	67.3	13,090*
	160	61.3	16,570*	63.3	15,060*	65.1	12,590*
170	59.1	16,210*	61.2	14,800*	63.0	12,160*	
180	56.9	15,770*	59.0	14,520*	60.7	11,740*	
190	54.7	15,210	56.7	14,270*	58.4	11,380*	
200	52.4	13,650	54.3	13,660	56.0	11,090*	
210	50.0	12,260	51.9	12,270	53.6	10,760*	
220	47.5	10,990	49.4	11,000	51.0	10,530*	
230	44.9	9,860	46.8	9,870	48.3	9,890	
240	42.2	8,820	44.0	8,830	45.5	8,850	
70' (21.3M) JIB & 250' (76.2M) BOOM	56	81.9	21,800*				
	60	81.2	21,540*				
	70	79.4	20,870*	81.5	18,490*		
	80	77.6	20,330*	79.7	18,070*	81.6	16,280*
	90	75.7	19,720*	77.8	17,630*	79.8	15,980*
	100	73.9	19,200*	75.9	17,230*	77.9	15,730*
	110	72.0	18,730*	74.1	16,900*	76.0	15,380*
	120	70.1	18,300*	72.1	16,540*	74.0	15,040*
	130	68.2	17,850*	70.2	16,180*	72.1	14,390*
	140	66.2	17,440*	68.3	15,870*	70.1	13,790*
	150	64.3	17,070*	66.3	15,530*	68.1	13,270*
	160	62.2	16,650*	64.2	15,210*	66.0	12,750*
170	60.2	16,360*	62.2	14,870*	63.9	12,330*	
180	58.1	15,990*	60.1	14,620*	61.8	11,900*	
190	56.0	14,640	57.9	14,370*	59.6	11,550*	
200	53.7	13,090	55.7	13,100	57.3	11,210*	
210	51.5	11,690	53.4	11,700	55.0	10,890*	

Boom and Jib Length	Jib Radius (Feet)	5.0 Deg Offset		15.0 Deg Offset		25.0 Deg Offset	
		Boom Angle	Ratings (Pounds)	Boom Angle	Ratings (Pounds)	Boom Angle	Ratings (Pounds)
250' (con't)	220	49.1	10,420	51.0	10,430	52.6	10,450
	230	46.7	9,280	48.5	9,290	50.1	9,310
	240	44.1	8,240	46.0	8,250	47.4	8,270
	250	41.5	7,300	43.3	7,310	44.7	7,340
70' (21.3M) JIB & 260' (79.2M) BOOM	57	82.0	21,710*				
	60	81.5	21,470*				
	70	79.7	20,920*	81.7	18,480*		
	80	77.9	20,330*	80.0	18,070*	81.9	16,270*
	90	76.2	19,800*	78.2	17,620*	80.1	15,950*
	100	74.4	19,330*	76.4	17,280*	78.3	15,700*
	110	72.6	18,850*	74.6	16,940*	76.4	15,410*
	120	70.7	18,370*	72.7	16,560*	74.5	15,130*
	130	68.9	17,910*	70.9	16,250*	72.7	14,530*
	140	67.0	17,570*	69.0	15,980*	70.8	13,920*
	150	65.1	17,130*	67.0	15,610*	68.8	13,410*
	160	63.2	16,770*	65.1	15,270*	66.8	12,890*
170	61.2	16,460*	63.1	14,950*	64.8	12,480*	
180	59.2	15,860	61.1	14,690*	62.8	12,070*	
190	57.1	14,110	59.0	14,120	60.7	11,660*	
200	55.0	12,540	56.9	12,550	58.5	11,350*	
210	52.9	11,140	54.7	11,150	56.3	11,010*	
220	50.6	9,870	52.5	9,880	54.0	9,900	
230	48.3	8,730	50.1	8,740	51.6	8,760	
240	45.9	7,690	47.7	7,700	49.2	7,720	
250	43.4	6,740	45.2	6,750	46.6	6,770	
260	40.8	5,870	42.5	5,890	43.9	5,910	
70' (21.3M) JIB & 270' (82.3M) BOOM	59	81.9	21,570*				
	60	81.7	21,480*				
	70	80.0	20,930*	82.0	18,470*		
	80	78.3	20,410*	80.3	18,060*		
	90	76.6	19,870*	78.5	17,680*	80.4	15,980*
	100	74.8	19,360*	76.8	17,330*	78.6	15,660*
	110	73.1	18,870*	75.0	16,950*	76.8	15,440*
	120	71.3	18,480*	73.3	16,630*	75.0	15,130*
	130	69.5	18,040*	71.5	16,340*	73.2	14,720*
	140	67.7	17,620*	69.6	16,010*	71.4	14,120*
	150	65.9	17,210*	67.8	15,730*	69.5	13,520*
	160	64.0	16,910*	65.9	15,390*	67.6	13,050*
170	62.1	16,550*	64.0	15,090*	65.7	12,600*	
180	60.2	15,310	62.0	14,770*	63.7	12,180*	
190	58.2	13,560	60.1	13,570	61.7	11,820*	
200	56.2	11,990	58.0	12,000	59.6	11,470*	
210	54.1	10,590	55.9	10,600	57.5	10,620	
220	52.0	9,310	53.8	9,320	55.3	9,340	
230	49.8	8,170	51.6	8,180	53.1	8,200	
240	47.5	7,130	49.3	7,140	50.7	7,160	
250	45.2	6,180	46.9	6,190	48.3	6,220	
260	42.7	5,310	44.4	5,320	45.8	5,350	
270	40.1	4,520	41.8	4,530	43.1	4,550	
70' (21.3M) JIB & 280' (85.3M) BOOM	60	82.0	21,460*				
	70	80.3	20,900*				
	80	78.6	20,400*	80.6	17,990*		
	90	77.0	19,830*	78.9	17,630*	80.7	15,920*
	100	75.3	19,370*	77.2	17,280*	79.0	15,630*
	110	73.6	18,970*	75.5	16,950*	77.2	15,380*
	120	71.9	18,510*	73.8	16,590*	75.5	15,180*
	130	70.1	18,100*	72.0	16,290*	73.7	14,850*
	140	68.4	17,710*	70.2	16,060*	71.9	14,220*
	150	66.6	17,310*	68.5	15,730*	70.1	13,680*
	160	64.8	16,950*	66.6	15,490*	68.3	13,180*
	170	63.0	16,640*	64.8	15,190*	66.4	12,720*
180	61.1	14,940	62.9	14,870*	64.5	12,290*	
190	59.2	13,180	61.0	13,190	62.6	11,930*	
200	57.3	11,610	59.1	11,620	60.6	11,570*	
210	55.3	10,210	57.1	10,220	58.6	10,240	
220	53.3	8,930	55.0	8,940	56.5	8,960	
230	51.2	7,790	52.9	7,800	54.4	7,820	
240	49.0	6,740	50.8	6,750	52.2	6,770	
250	46.8	5,800	48.5	5,810	49.9	5,830	
260	44.5	4,930	46.2	4,940	47.5	4,970	
270	42.1	4,130	43.7	4,150	45.0	4,170	
280	39.5	3,400	41.1	3,410	42.4		

**LIFT RATINGS IN POUNDS (continued)**

**With 92HI Offset Tip Boom and 172,000 Pound Counterweight, 16HL Jib**

Boom and Jib Length	Jib Radius (Feet)	5.0 Deg Offset		15.0 Deg Offset		25.0 Deg Offset	
		Boom Angle	Ratings (Pounds)	Boom Angle	Ratings (Pounds)	Boom Angle	Ratings (Pounds)
70' (21.3M) JIB & 290' (88.4M) BOOM	62	81.9	21,310*				
	70	80.6	20,880*				
	80	79.0	20,400*	80.8	17,960*		
	90	77.3	19,890*	79.2	17,600*	80.9	15,880*
	100	75.7	19,470*	77.5	17,250*	79.3	15,590*
	110	74.1	18,980*	75.9	16,950*	77.6	15,410*
	120	72.4	18,530*	74.2	16,620*	75.9	15,160*
	130	70.7	18,120*	72.5	16,360*	74.2	14,930*
	140	69.0	17,770*	70.8	16,050*	72.5	14,370*
	150	67.3	17,350*	69.1	15,780*	70.7	13,810*
	160	65.6	17,030*	67.3	15,530*	69.0	13,340*
	170	63.8	16,390	65.6	15,270*	67.2	12,840*
	180	62.0	14,400	63.8	14,410	65.3	12,460*
	190	60.2	12,650	61.9	12,660	63.5	12,040*
	200	58.3	11,080	60.1	11,090	61.6	11,110
	210	56.4	9,670	58.1	9,680	59.6	9,700
220	54.5	8,400	56.2	8,410	57.6	8,430	
230	52.5	7,250	54.2	7,260	55.6	7,280	
240	50.4	6,210	52.1	6,220	53.5	6,240	
250	48.3	5,250	50.0	5,260	51.3	5,280	
260	46.1	4,390	47.8	4,400	49.1	4,420	
270	43.8	3,580	45.5	3,600	46.7	3,620	
280	41.4	2,860	43.0	2,870	44.3	2,890	
80' (24.4M) JIB & 200' (61.0M) BOOM	51	82.0	17,300*				
	60	80.1	16,660*				
	70	78.0	16,040*	80.8	14,050*		
	80	75.9	15,460*	78.7	13,640*	81.2	11,980*
	90	73.8	14,890*	76.5	13,120*	79.1	11,590*
	100	71.7	14,350*	74.4	12,670*	76.9	11,260*
	110	69.5	13,870*	72.2	12,210*	74.7	10,950*
	120	67.3	13,370*	69.9	11,790*	72.4	10,640*
	130	65.0	12,860*	67.7	11,430*	70.1	10,370*
	140	62.7	12,410*	65.4	11,110*	67.8	10,150*
	150	60.4	11,950*	63.0	10,810*	65.4	9,950*
	160	58.0	11,560*	60.6	10,520*	62.9	9,760*
	170	55.5	11,190*	58.1	10,280*	60.3	9,620*
	180	53.0	10,880*	55.5	10,050*	57.7	9,470*
	190	50.3	10,600*	52.8	9,880*	55.0	9,380*
	200	47.6	10,370*	50.1	9,720*	52.1	9,230*
80' (24.4M) JIB & 210' (64.0M) BOOM	53	81.9	17,240*				
	60	80.5	16,770*				
	70	78.5	16,130*	81.1	14,070*		
	80	76.4	15,540*	79.1	13,640*	81.6	11,990*
	90	74.4	14,950*	77.0	13,180*	79.5	11,590*
	100	72.3	14,470*	74.9	12,700*	77.4	11,260*
	110	70.2	13,960*	72.8	12,290*	75.2	10,970*
	120	68.1	13,510*	70.7	11,900*	73.1	10,660*
	130	66.0	13,000*	68.5	11,500*	70.9	10,420*
	140	63.8	12,550*	66.3	11,190*	68.6	10,210*
	150	61.5	12,100*	64.0	10,900*	66.3	9,980*
	160	59.2	11,710*	61.7	10,600*	64.0	9,800*
	170	56.9	11,340*	59.4	10,390*	61.6	9,630*
	180	54.5	11,020*	56.9	10,140*	59.1	9,520*
	190	52.0	10,730*	54.4	9,950*	56.5	9,370*
	200	49.4	10,490*	51.8	9,760*	53.8	9,290*
210	46.7	10,250*	49.1	9,620*	51.0	9,090*	
80' (24.4M) JIB & 220' (67.1M) BOOM	54	81.9	17,180*				
	60	80.8	16,820*				
	70	78.8	16,150*	81.4	14,090*		
	80	76.9	15,610*	79.4	13,650*	81.8	12,000*
	90	74.9	15,030*	77.5	13,250*	79.8	11,630*
	100	72.9	14,570*	75.5	12,770*	77.8	11,310*
	110	70.9	14,070*	73.4	12,340*	75.8	10,980*
	120	68.9	13,630*	71.4	11,940*	73.7	10,730*
	130	66.8	13,160*	69.3	11,610*	71.6	10,460*
	140	64.7	12,720*	67.2	11,260*	69.4	10,220*
	150	62.6	12,290*	65.0	10,960*	67.2	10,040*
	160	60.4	11,880*	62.8	10,680*	65.0	9,850*
	170	58.1	11,530*	60.5	10,430*	62.7	9,670*
	180	55.8	11,170*	58.2	10,240*	60.3	9,550*
	190	53.5	10,900*	55.8	10,030*	57.9	9,400*
	200	51.0	10,610*	53.4	9,830*	55.4	9,310*
210	48.5	10,380*	50.8	9,700*	52.7	9,190*	
220	45.8	10,140*	48.1	9,550*	50.0	8,990*	

Boom and Jib Length	Jib Radius (Feet)	5.0 Deg Offset		15.0 Deg Offset		25.0 Deg Offset	
		Boom Angle	Ratings (Pounds)	Boom Angle	Ratings (Pounds)	Boom Angle	Ratings (Pounds)
80' (24.4M) JIB & 230' (70.1M) BOOM	56	81.8	17,090*				
	60	81.1	16,820*				
	70	79.2	16,210*	81.7	14,100*		
	80	77.3	15,610*	79.8	13,690*		
	90	75.4	15,110*	77.9	13,300*	80.2	11,620*
	100	73.5	14,610*	75.9	12,830*	78.2	11,300*
	110	71.6	14,180*	74.0	12,430*	76.2	11,020*
	120	69.6	13,750*	72.0	12,040*	74.2	10,760*
	130	67.6	13,300*	70.0	11,670*	72.2	10,490*
	140	65.6	12,830*	68.0	11,340*	70.1	10,270*
	150	63.5	12,410*	65.9	11,060*	68.0	10,060*
	160	61.4	12,040*	63.8	10,760*	65.9	9,850*
	170	59.3	11,650*	61.6	10,520*	63.7	9,700*
	180	57.1	11,320*	59.4	10,290*	61.5	9,560*
	190	54.8	11,020*	57.1	10,060*	59.1	9,440*
	200	52.5	10,730*	54.8	9,920*	56.8	9,330*
210	50.1	10,500*	52.4	9,730*	54.3	9,250*	
220	47.6	10,260*	49.9	9,580*	51.7	9,080*	
230	45.0	10,040*	47.2	9,480*	49.0	8,880*	
80' (24.4M) JIB & 240' (73.2M) BOOM	57	81.9	17,010*				
	60	81.4	16,860*				
	70	79.5	16,220*	81.9	14,060*		
	80	77.7	15,680*	80.1	13,690*		
	90	75.9	15,150*	78.3	13,300*	80.5	11,670*
	100	74.0	14,700*	76.4	12,900*	78.6	11,350*
	110	72.2	14,220*	74.5	12,470*	76.7	11,030*
	120	70.3	13,800*	72.6	12,130*	74.8	10,780*
	130	68.3	13,430*	70.7	11,770*	72.8	10,520*
	140	66.4	13,010*	68.7	11,420*	70.8	10,300*
	150	64.4	12,530*	66.7	11,130*	68.8	10,080*
	160	62.4	12,170*	64.7	10,860*	66.8	9,880*
	170	60.4	11,780*	62.6	10,600*	64.7	9,730*
	180	58.3	11,440*	60.5	10,340*	62.5	9,580*
	190	56.1	11,120*	58.3	10,150*	60.3	9,460*
	200	53.9	10,870*	56.1	9,950*	58.0	9,320*
210	51.6	10,580*	53.8	9,800*	55.7	9,230*	
220	49.3	10,340*	51.4	9,660*	53.3	9,150*	
230	46.8	10,090	49.0	9,510*	50.7	8,980*	
240	44.3	9,060	46.4	9,070	48.1	8,780*	
80' (24.4M) JIB & 250' (76.2M) BOOM	58	82.0	17,000*				
	60	81.6	16,900*				
	70	79.9	16,300*				
	80	78.1	15,750*	80.4	13,690*		
	90	76.3	15,240*	78.6	13,360*	80.8	11,660*
	100	74.5	14,780*	76.8	12,970*	79.0	11,340*
	110	72.7	14,340*	75.0	12,560*	77.1	11,080*
	120	70.9	13,900*	73.2	12,150*	75.3	10,800*
	130	69.0	13,540*	71.3	11,820*	73.4	10,530*
	140	67.2	13,150*	69.4	11,510*	71.5	10,320*
	150	65.2	12,680*	67.5	11,180*	69.5	10,140*
	160	63.3	12,310*	65.5	10,910*	67.5	9,910*
	170	61.3	11,910*	63.5	10,640*	65.5	9,760*
	180	59.3	11,590*	61.5	10,430*	63.5	9,610*
	190	57.3	11,240*	59.4	10,230*	61.4	9,470*
	200	55.2	10,990*	57.3	10,030*	59.2	9,350*
210	53.0	10,700*	55.1	9,840*	57.0	9,250*	
220	50.8	10,460*	52.9	9,690*	54.7	9,170*	
230	48.5	9,520	50.6	9,530	52.3	9,040*	
240	46.1	8,480	48.1	8,490	49.8	8,520	
250	43.6	7,540	45.6	7,550	47.2	7,580	
80' (24.4M) JIB & 260' (79.2M) BOOM	60	81.9	16,900*				
	70	80.2	16,300*				
	80	78.5	15,810*	80.7	13,680*		
	90	76.7	15,330*	79.0	13,350*	81.1	11,660*
	100	75.0	14,850*	77.2	13,000*	79.3	11,340*
	110	73.2	14,410*	75.5	12,630*	77.5	11,090*
	120	71.5	13,990*	73.7	12,210*	75.7	10,810*
	130	69.7	13,600*	71.9	11,890*	73.9	10,540*
	140	67.9	13,220*	70.1	11,540*	72.1	10,360*
	150	66.0	12,810*	68.2	11,260*	70.2	10,130*
	160	64.2	12,420*	66.3	10,990*	68.3	9,950*
	170	62.3	12,070*	64.4	10,710*	66.3	9,760*
	180	60.3	11,710*	62.5	10,510*	64.4	9,610*
	190	58.4	11,410*	60.5	10,260*	62.3	9,500*

**LIFT RATINGS IN POUNDS (continued)**

**With 92HI Offset Tip Boom and 172,000 Pound Counterweight, 16HL Jib**

Boom and Jib Length	Jib Radius (Feet)	5.0 Deg Offset		15.0 Deg Offset		25.0 Deg Offset	
		Boom Angle	Ratings (Pounds)	Boom Angle	Ratings (Pounds)	Boom Angle	Ratings (Pounds)
260' (con't)	200	56.3	11,110*	58.4	10,060*	60.3	9,380*
	210	54.3	10,820*	56.4	9,910*	58.2	9,280*
	220	52.1	10,110	54.2	9,720*	56.0	9,190*
	230	50.0	8,970	52.0	8,980	53.7	9,010
	240	47.7	7,930	49.7	7,940	51.4	7,960
	250	45.3	6,980	47.3	6,990	48.9	7,020
	260	42.9	6,110	44.8	6,120	46.4	6,150
80' (24.4M) JIB & 270' (82.3M) BOOM	61	81.9	16,890*				
	70	80.4	16,340*				
	80	78.8	15,820*	81.0	13,710*		
	90	77.1	15,340*	79.3	13,350*	81.4	11,650*
	100	75.4	14,920*	77.6	13,010*	79.6	11,380*
	110	73.7	14,470*	75.9	12,680*	77.9	11,100*
	120	72.0	14,060*	74.2	12,270*	76.2	10,810*
	130	70.3	13,650*	72.4	11,960*	74.4	10,590*
	140	68.5	13,310*	70.7	11,640*	72.6	10,360*
	150	66.8	12,950*	68.9	11,310*	70.8	10,140*
	160	65.0	12,550*	67.1	11,040*	69.0	9,950*
	170	63.1	12,190*	65.2	10,800*	67.1	9,800*
	180	61.3	11,820*	63.3	10,550*	65.2	9,650*
	190	59.4	11,510*	61.4	10,350*	63.3	9,490*
	200	57.4	11,210*	59.5	10,150*	61.3	9,390*
	210	55.5	10,840	57.5	9,950*	59.2	9,270*
	220	53.4	9,560	55.4	9,570	57.2	9,170*
230	51.3	8,420	53.3	8,430	55.0	8,460	
240	49.2	7,370	51.2	7,380	52.8	7,410	
250	46.9	6,430	48.9	6,440	50.5	6,460	
260	44.6	5,550	46.6	5,570	48.1	5,590	
270	42.2	4,760	44.1	4,780	45.6	4,800	
80' (24.4M) JIB & 280' (85.3M) BOOM	63	81.8	16,740*				
	70	80.7	16,320*				
	80	79.1	15,810*	81.2	13,660*		
	90	77.5	15,400*	79.6	13,320*	81.6	11,650*
	100	75.8	14,910*	78.0	13,060*	79.9	11,350*
	110	74.2	14,470*	76.3	12,730*	78.3	11,090*
	120	72.5	14,110*	74.6	12,320*	76.6	10,850*
	130	70.9	13,700*	72.9	11,970*	74.9	10,580*
	140	69.2	13,370*	71.2	11,680*	73.1	10,360*
	150	67.4	13,030*	69.5	11,370*	71.4	10,160*
	160	65.7	12,640*	67.7	11,090*	69.6	10,010*
	170	63.9	12,300*	66.0	10,850*	67.8	9,800*
	180	62.1	11,930*	64.2	10,590*	66.0	9,680*
	190	60.3	11,630*	62.3	10,380*	64.1	9,520*
	200	58.4	11,330*	60.4	10,180*	62.2	9,420*
	210	56.5	10,450	58.5	10,030*	60.3	9,300*
	220	54.6	9,180	56.6	9,200	58.3	9,200*
230	52.6	8,030	54.6	8,040	56.2	8,200*	
240	50.6	6,990	52.5	7,000	54.1	7,020	
250	48.4	6,040	50.4	6,050	51.9	6,080	
260	46.2	5,170	48.1	5,180	49.7	5,200	
270	44.0	4,370	45.8	4,390	47.3	4,410	
280	41.6	3,640	43.4	3,650	44.8	3,680	
80' (24.4M) JIB & 290' (88.4M) BOOM	64	81.9	16,680*				
	70	81.0	16,390*				
	80	79.4	15,900*	81.5	13,660*		
	90	77.8	15,390*	79.9	13,330*	81.8	11,640*
	100	76.2	14,960*	78.3	13,050*	80.2	11,390*
	110	74.6	14,530*	76.7	12,720*	78.6	11,080*
	120	73.0	14,130*	75.1	12,390*	77.0	10,850*
	130	71.4	13,780*	73.4	12,030*	75.3	10,620*
	140	69.7	13,420*	71.8	11,730*	73.6	10,370*
	150	68.1	13,130*	70.1	11,400*	71.9	10,190*
	160	66.4	12,800*	68.4	11,130*	70.2	10,000*
	170	64.7	12,410*	66.7	10,880*	68.5	9,840*
	180	63.0	12,050*	64.9	10,670*	66.7	9,680*
	190	61.2	11,740*	63.2	10,420*	64.9	9,520*
	200	59.4	11,320	61.4	10,220*	63.1	9,410*
	210	57.6	9,910	59.5	9,930	61.2	9,310*
	220	55.7	8,650	57.6	8,660	59.3	8,680
230	53.8	7,490	55.7	7,500	57.3	7,520	
240	51.8	6,450	53.7	6,460	55.3	6,480	
250	49.8	5,500	51.7	5,510	53.2	5,530	
260	47.7	4,620	49.6	4,630	51.1	4,660	
270	45.6	3,830	47.4	3,840	48.9	3,860	
280	43.3	3,090	45.1	3,100	46.6	3,130	

Boom and Jib Length	Jib Radius (Feet)	5.0 Deg Offset		15.0 Deg Offset		25.0 Deg Offset	
		Boom Angle	Ratings (Pounds)	Boom Angle	Ratings (Pounds)	Boom Angle	Ratings (Pounds)
90' (27.4M) JIB & 230' (70.1M) BOOM	58	81.9	13,670*				
	60	81.5	13,560*				
	70	79.7	13,000*				
	80	77.9	12,500*	80.6	10,360*		
	90	76.0	11,890*	78.7	9,920*	81.3	8,500*
	100	74.2	11,360*	76.9	9,520*	79.4	8,230*
	110	72.3	10,840*	75.0	9,150*	77.5	7,980*
	120	70.4	10,340*	73.1	8,830*	75.5	7,750*
	130	68.5	9,930*	71.1	8,540*	73.6	7,550*
	140	66.5	9,520*	69.2	8,280*	71.6	7,360*
	150	64.6	9,190*	67.2	8,030*	69.5	7,170*
	160	62.6	8,830*	65.1	7,800*	67.5	7,020*
	170	60.5	8,530*	63.1	7,570*	65.4	6,900*
180	58.4	8,260*	61.0	7,390*	63.2	6,770*	
190	56.3	8,030*	58.8	7,240*	61.0	6,640*	
200	54.0	7,780*	56.6	7,070*	58.7	6,560*	
210	51.8	7,570*	54.3	6,930*	56.4	6,480*	
220	49.4	7,410*	51.9	6,830*	54.0	6,410*	
230	47.0	7,210*	49.4	6,690*	51.4	6,360*	
90' (27.4M) JIB & 240' (73.2M) BOOM	59	81.9	13,600*				
	60	81.8	13,560*				
	70	80.0	13,020*				
	80	78.2	12,510*	80.9	10,380*		
	90	76.5	12,010*	79.1	9,940*	81.5	8,500*
	100	74.7	11,450*	77.3	9,540*	79.7	8,250*
	110	72.9	10,910*	75.4	9,220*	77.9	8,000*
	120	71.0	10,440*	73.6	8,900*	76.0	7,780*
	130	69.2	10,040*	71.7	8,580*	74.1	7,570*
	140	67.3	9,630*	69.8	8,340*	72.2	7,390*
	150	65.4	9,260*	67.9	8,060*	70.2	7,210*
	160	63.5	8,950*	66.0	7,860*	68.3	7,040*
	170	61.5	8,650*	64.0	7,630*	66.2	6,890*
180	59.5	8,360*	62.0	7,430*	64.2	6,760*	
190	57.4	8,110*	59.9	7,280*	62.1	6,650*	
200	55.3	7,890*	57.8	7,110*	59.9	6,570*	
210	53.1	7,650*	55.6	6,970*	57.7	6,480*	
220	50.9	7,480*	53.3	6,840*	55.4	6,400*	
230	48.6	7,280*	51.0	6,740*	53.0	6,350*	
240	46.2	7,160*	48.6	6,640*	50.5	6,310*	
90' (27.4M) JIB & 250' (76.2M) BOOM	61	81.8	13,550*				
	70	80.3	13,100*				
	80	78.6	12,560*	81.1	10,400*		
	90	76.9	12,120*	79.4	9,990*	81.8	8,480*
	100	75.1	11,560*	77.7	9,600*	80.0	8,220*
	110	73.4	11,030*	75.9	9,230*	78.2	8,010*
	120	71.6	10,570*	74.1	8,930*	76.4	7,780*
	130	69.8	10,120*	72.3	8,640*	74.6	7,570*
	140	68.0	9,720*	70.5	8,370*	72.8	7,370*
	150	66.2	9,360*	68.6	8,110*	70.9	7,200*
	160	64.3	9,030*	66.7	7,870*	69.0	7,050*
	170	62.4	8,730*	64.8	7,680*	67.0	6,920*
	180	60.5	8,440*	62.9	7,480*	65.0	6,770*
190	58.5	8,180*	60.9	7,300*	63.0	6,660*	
200	56.5	7,950*	58.9	7,160*	61.0	6,560*	
210	54.4	7,740*	56.8	7,020*	58.8	6,480*	
220	52.3	7,560*	54.6	6,880*	56.6	6,400*	
230	50.1	7,360*	52.4	6,780*	54.4	6,350*	
240	47.8	7,230*	50.1	6,660*	52.0	6,310*	
250	45.5	7,060*	47.7	6,590*	49.6	6,270*	
90' (27.4M) JIB & 260' (79.2M) BOOM	62	81.9	13,530*				
	70	80.6	13,110*				
	80	78.9	12,610*	81.4	10,410*		
	90	77.3	12,140*	79.7	9,980*		
	100	75.6	11,610*	78.0	9,610*	80.3	8,240*
	110	73.9	11,110*	76.3	9,260*	78.6	7,980*
	120	72.2	10,650*	74.6	8,980*	76.8	7,790*
	130	70.4	10,210*	72.8	8,680*	75.1	7,580*
	140	68.7	9,830*	71.1	8,400*	73.3	7,390*
	150	66.9	9,480*	69.3	8,150*	71.5	7,200*
	160	65.1	9,140*	67.5	7,920*	69.6	7,080*
	170	63.3	8,820*	65.6	7,710*	67.8	6,930*
	180	61.4	8,550*	63.8	7,530*	65.9	6,780*
190	59.5	8,280*	61.8	7,350*	63.9	6,680*	
200	57.6	8,060*	59.9	7,200*</			

**LIFT RATINGS IN POUNDS (continued)**

**With 92HI Offset Tip Boom and 172,000 Pound Counterweight, 16HL Jib**

Boom and Jib Length	Jib Radius (Feet)	5.0 Deg Offset		15.0 Deg Offset		25.0 Deg Offset	
		Boom Angle	Ratings (Pounds)	Boom Angle	Ratings (Pounds)	Boom Angle	Ratings (Pounds)
260' (con't)	220	53.6	7,640*	55.8	6,920*	57.8	6,400*
	230	51.5	7,430*	53.7	6,790*	55.7	6,350*
	240	49.3	7,270*	51.6	6,690*	53.4	6,300*
	250	47.1	7,140*	49.3	6,590*	51.1	6,260*
	260	44.8	6,320	47.0	6,340	48.7	6,220*
90' (27.4M) JIB & 270' (82.3M) BOOM	63	82.0	13,450*				
	70	80.9	13,110*				
	80	79.2	12,660*	81.6	10,430*		
	90	77.6	12,190*	80.0	10,000*		
	100	76.0	11,710*	78.4	9,660*	80.6	8,210*
	110	74.3	11,220*	76.7	9,310*	78.9	7,990*
	120	72.7	10,720*	75.0	8,990*	77.2	7,760*
	130	71.0	10,310*	73.3	8,690*	75.5	7,590*
	140	69.3	9,940*	71.6	8,430*	73.8	7,410*
	150	67.6	9,580*	69.9	8,190*	72.0	7,230*
	160	65.8	9,220*	68.1	7,950*	70.3	7,070*
	170	64.1	8,930*	66.4	7,770*	68.5	6,910*
	180	62.3	8,620*	64.6	7,580*	66.6	6,800*
	190	60.4	8,360*	62.7	7,400*	64.8	6,690*
	200	58.6	8,140*	60.8	7,220*	62.8	6,580*
210	56.7	7,930*	58.9	7,070*	60.9	6,480*	
220	54.7	7,690*	57.0	6,940*	58.9	6,400*	
230	52.7	7,520*	55.0	6,830*	56.8	6,340*	
240	50.7	7,340*	52.9	6,730*	54.7	6,270*	
250	48.6	6,640	50.7	6,610*	52.5	6,220*	
260	46.4	5,770	48.5	5,780	50.3	5,810	
270	44.1	4,960	46.2	4,980	47.9	5,010	
90' (27.4M) JIB & 280' (85.3M) BOOM	65	81.9	13,340*				
	70	81.1	13,120*				
	80	79.5	12,650*	81.9	10,430*		
	90	78.0	12,220*	80.3	10,030*		
	100	76.4	11,830*	78.7	9,690*	80.9	8,220*
	110	74.8	11,280*	77.1	9,350*	79.2	7,990*
	120	73.2	10,830*	75.5	9,050*	77.6	7,790*
	130	71.5	10,420*	73.8	8,750*	75.9	7,590*
	140	69.9	10,000*	72.2	8,490*	74.3	7,390*
	150	68.2	9,630*	70.5	8,230*	72.6	7,230*
	160	66.5	9,310*	68.8	8,020*	70.8	7,070*
	170	64.8	9,020*	67.1	7,810*	69.1	6,930*
	180	63.1	8,740*	65.3	7,590*	67.3	6,820*
	190	61.3	8,470*	63.5	7,410*	65.5	6,700*
	200	59.5	8,200*	61.7	7,260*	63.7	6,570*
210	57.7	7,980*	59.9	7,120*	61.8	6,490*	
220	55.8	7,770*	58.0	6,980*	59.9	6,410*	
230	53.9	7,590*	56.1	6,840*	57.9	6,320*	
240	52.0	7,200	54.1	6,740*	55.9	6,270*	
250	49.9	6,250	52.1	6,260	53.8	6,220*	
260	47.9	5,370	50.0	5,380	51.7	5,410	
270	45.7	4,580	47.8	4,590	49.5	4,620	
280	43.5	3,850	45.5	3,860	47.1	3,890	
90' (27.4M) JIB & 290' (88.4M) BOOM	66	81.9	13,290*				
	70	81.3	13,130*				
	80	79.8	12,650*				
	90	78.3	12,260*	80.5	10,040*		
	100	76.7	11,830*	79.0	9,690*	81.1	8,190*
	110	75.2	11,380*	77.4	9,350*	79.5	7,990*
	120	73.6	10,920*	75.8	9,060*	77.9	7,790*
	130	72.0	10,490*	74.3	8,760*	76.3	7,590*
	140	70.4	10,110*	72.7	8,530*	74.7	7,390*
	150	68.8	9,740*	71.0	8,270*	73.1	7,230*
	160	67.2	9,410*	69.4	8,020*	71.4	7,080*
	170	65.5	9,070*	67.7	7,830*	69.7	6,950*
	180	63.9	8,810*	66.0	7,650*	68.0	6,800*
	190	62.2	8,540*	64.3	7,460*	66.3	6,680*
	200	60.4	8,280*	62.6	7,280*	64.5	6,580*
210	58.7	8,060*	60.8	7,140*	62.7	6,500*	
220	56.9	7,840*	59.0	6,990*	60.8	6,400*	
230	55.0	7,670*	57.1	6,890*	59.0	6,320*	
240	53.1	6,670	55.2	6,680	57.0	6,260*	
250	51.2	5,710	53.3	5,720	55.0	5,740	
260	49.2	4,840	51.3	4,850	53.0	4,880	
270	47.2	4,030	49.2	4,040	50.9	4,070	
280	45.1	3,300	47.1	3,310	48.7	3,340	
290	42.8	2,620	44.8	2,630	46.4	2,660	

Boom and Jib Length	Jib Radius (Feet)	5.0 Deg Offset		15.0 Deg Offset		25.0 Deg Offset	
		Boom Angle	Ratings (Pounds)	Boom Angle	Ratings (Pounds)	Boom Angle	Ratings (Pounds)
100' (30.5M) JIB & 250' (76.2M) BOOM	63	81.9	10,240*				
	70	80.7	9,810*				
	80	79.1	9,270*	81.8	7,330*		
	90	77.4	8,730*	80.1	6,990*		
	100	75.7	8,290*	78.4	6,710*	81.0	5,600*
	110	74.0	7,860*	76.7	6,410*	79.3	5,420*
	120	72.3	7,500*	75.0	6,160*	77.5	5,240*
	130	70.6	7,150*	73.3	5,940*	75.8	5,060*
	140	68.8	6,820*	71.5	5,720*	74.0	4,920*
	150	67.0	6,550*	69.7	5,520*	72.2	4,780*
	160	65.2	6,290*	67.9	5,350*	70.3	4,660*
	170	63.4	6,040*	66.0	5,170*	68.4	4,540*
	180	61.5	5,820*	64.2	5,020*	66.5	4,460*
	190	59.6	5,620*	62.3	4,880*	64.6	4,350*
	200	57.7	5,430*	60.3	4,770*	62.6	4,280*
210	55.7	5,260*	58.3	4,640*	60.6	4,200*	
220	53.7	5,100*	56.2	4,540*	58.5	4,150*	
230	51.6	4,950*	54.1	4,460*	56.3	4,090*	
240	49.5	4,830*	52.0	4,380*	54.1	4,070*	
250	47.2	4,720*	49.7	4,310*	51.8	4,040*	
100' (30.5M) JIB & 260' (79.2M) BOOM	64	82.0	10,210*				
	70	81.0	9,860*				
	80	79.4	9,300*				
	90	77.8	8,790*	80.4	7,000*		
	100	76.1	8,340*	78.8	6,710*	81.3	5,580*
	110	74.5	7,920*	77.1	6,440*	79.6	5,400*
	120	72.8	7,550*	75.4	6,190*	77.9	5,220*
	130	71.1	7,230*	73.7	5,970*	76.2	5,060*
	140	69.4	6,890*	72.0	5,740*	74.5	4,920*
	150	67.7	6,620*	70.3	5,550*	72.7	4,790*
	160	66.0	6,340*	68.6	5,370*	70.9	4,670*
	170	64.2	6,100*	66.8	5,190*	69.1	4,550*
	180	62.4	5,890*	65.0	5,050*	67.3	4,450*
	190	60.6	5,670*	63.1	4,910*	65.4	4,360*
	200	58.7	5,480*	61.2	4,780*	63.5	4,270*
210	56.8	5,320*	59.3	4,650*	61.5	4,190*	
220	54.9	5,160*	57.4	4,550*	59.5	4,130*	
230	52.9	5,000*	55.3	4,470*	57.5	4,080*	
240	50.8	4,870*	53.3	4,390*	55.4	4,050*	
250	48.7	4,770*	51.1	4,320*	53.2	4,000*	
260	46.5	4,650*	48.9	4,250*	50.9	4,000*	
100' (30.5M) JIB & 270' (82.3M) BOOM	66	81.9	10,140*				
	70	81.2	9,890*				
	80	79.7	9,360*				
	90	78.1	8,850*	80.7	7,040*		
	100	76.5	8,390*	79.1	6,710*	81.5	5,570*
	110	74.9	8,000*	77.5	6,470*	79.9	5,390*
	120	73.3	7,630*	75.8	6,210*	78.2	5,210*
	130	71.7	7,290*	74.2	5,960*	76.6	5,060*
	140	70.0	6,940*	72.6	5,760*	74.9	4,910*
	150	68.3	6,660*	70.9	5,570*	73.2	4,770*
	160	66.7	6,380*	69.2	5,380*	71.5	4,640*
	170	65.0	6,170*	67.5	5,220*	69.7	4,530*
	180	63.2	5,920*	65.7	5,050*	68.0	4,440*
	190	61.5	5,710*	63.9	4,910*	66.2	4,350*
	200	59.7	5,540*	62.1	4,800*	64.3	4,270*
210	57.8	5,340*	60.3	4,660*	62.4	4,180*	
220	56.0	5,180*	58.4	4,580*	60.5	4,120*	
230	54.1	5,050*	56.5	4,480*	58.6	4,060*	
240	52.1	4,920*	54.5	4,400*	56.5	4,030*	
250	50.1	4,790*	52.4	4,320*	54.5	3,980*	
260	48.0	4,700*	50.3	4,250*	52.3	3,970*	
270	45.8	4,580*	48.2	4,200*	50.1	3,960*	
100' (30.5M) JIB & 280' (85.3M) BOOM	67	81.9	10,110*				
	70	81.5	9,940*				
	80	79.9	9,390*				
	90	78.4	8,930*	80.9	7,010*		
	100	76.9	8,470*	79.4	6,730*	81.8	5,540*
	110	75.3	8,040*	77.8	6,450*	80.2	5,360*
	120	73.7	7,670*	76.2	6,220*	78.6	5,200*
	130	72.2	7,340*	74.6	5,970*	77.0	5,050*
	140	70.6	7,030*	73.0	5,770*	75.3	4,900*
	150	68.9	6,740*	71.4	5,570*	73.7	4,760*
	160	67.3	6,450*	69.8	5,390*	72.0	4,640*

**LIFT RATINGS IN POUNDS (continued)**

**With 92HI Offset Tip Boom and 172,000 Pound Counterweight, 16HL Jib**

Boom and Jib Length	Jib Radius (Feet)	5.0 Deg Offset		15.0 Deg Offset		25.0 Deg Offset	
		Boom Angle	Ratings (Pounds)	Boom Angle	Ratings (Pounds)	Boom Angle	Ratings (Pounds)
280' (con't)	170	65.7	6,200*	68.1	5,220*	70.3	4,530*
	180	64.0	5,990*	66.4	5,080*	68.6	4,440*
	190	62.3	5,780*	64.7	4,940*	66.9	4,350*
	200	60.6	5,590*	63.0	4,800*	65.1	4,260*
	210	58.8	5,400*	61.2	4,680*	63.3	4,170*
	220	57.0	5,230*	59.4	4,570*	61.5	4,110*
	230	55.2	5,100*	57.5	4,490*	59.6	4,050*
	240	53.3	4,950*	55.6	4,410*	57.6	4,000*
	250	51.3	4,850*	53.7	4,330*	55.6	3,960*
	260	49.4	4,720*	51.7	4,260*	53.6	3,940*
	270	47.3	4,630*	49.6	4,200*	51.5	3,910*
	280	45.2	4,050	47.4	4,060	49.3	3,910*
100' (30.5M) JIB & 290' (88.4M) BOOM	68	82.0	10,090*				
	70	81.7	9,970*				
	80	80.2	9,450*				
	90	78.7	8,970*	81.2	7,010*		
	100	77.2	8,510*	79.7	6,750*	82.0	5,520*
	110	75.7	8,080*	78.1	6,460*	80.4	5,350*
120	74.2	7,720*	76.6	6,230*	78.9	5,180*	

Boom and Jib Length	Jib Radius (Feet)	5.0 Deg Offset		15.0 Deg Offset		25.0 Deg Offset	
		Boom Angle	Ratings (Pounds)	Boom Angle	Ratings (Pounds)	Boom Angle	Ratings (Pounds)
290' (con't)	130	72.6	7,380*	75.1	5,980*	77.3	5,040*
	140	71.1	7,050*	73.5	5,790*	75.7	4,880*
	150	69.5	6,790*	71.9	5,590*	74.1	4,750*
	160	67.9	6,530*	70.3	5,400*	72.5	4,620*
	170	66.3	6,270*	68.7	5,250*	70.9	4,520*
	180	64.7	6,020*	67.1	5,080*	69.2	4,430*
	190	63.1	5,810*	65.4	4,940*	67.5	4,320*
	200	61.4	5,630*	63.7	4,830*	65.8	4,250*
	210	59.7	5,460*	62.0	4,690*	64.1	4,160*
	220	58.0	5,290*	60.3	4,580*	62.3	4,100*
	230	56.2	5,130*	58.5	4,500*	60.5	4,040*
	240	54.4	4,990*	56.7	4,400*	58.6	3,980*
	250	52.5	4,860*	54.8	4,340*	56.7	3,950*
	260	50.6	4,760*	52.9	4,260*	54.8	3,920*
	270	48.7	4,240	50.9	4,190*	52.8	3,890*
	280	46.6	3,500	48.9	3,520	50.7	3,550
	290	44.6	2,820	46.7	2,830	48.5	2,870

**LIFT RATINGS IN POUNDS**

**With 92HI Offset Tip Boom and 172,000 Pound Upper Counterweight, #30 Jib**

Boom and Jib Length	Jib Radius (Feet)	5.0 Deg Offset		15.0 Deg Offset		25.0 Deg Offset	
		Boom Angle	Ratings (Pounds)	Boom Angle	Ratings (Pounds)	Boom Angle	Ratings (Pounds)
35' (10.7M) JIB & 90' (27.4M) BOOM	27	81.6	60,000*				
	30	80.2	60,000*				
	35	77.9	60,000*	80.6	60,000*		
	40	75.6	60,000*	78.2	60,000*	80.7	60,000*
	50	70.9	60,000*	73.5	60,000*	75.9	54,780*
	60	65.9	60,000*	68.5	60,000*	70.9	48,790*
	70	60.8	60,000*	63.4	57,480*	65.6	44,090*
80	55.4	60,000*	57.9	51,220*	60.1	40,500*	
	90	49.6	54,310*	52.1	46,420*	54.1	40,500*
35' (10.7M) JIB & 100' (30.5M) BOOM	28	81.8	60,000*				
	30	81.0	60,000*				
	35	78.8	60,000*	81.3	60,000*		
	40	76.7	60,000*	79.1	60,000*	81.4	60,000*
	50	72.3	60,000*	74.7	60,000*	77.0	57,490*
	60	67.8	60,000*	70.2	60,000*	72.4	51,390*
	70	63.2	60,000*	65.5	60,000*	67.7	46,570*
	80	58.3	60,000*	60.6	55,050*	62.7	42,660*
	90	53.2	57,590	55.4	49,710*	57.4	40,590*
	100	47.6	50,100	49.8	45,540*	51.7	40,470*
35' (10.7M) JIB & 110' (33.5M) BOOM	29	82.0	60,000*				
	30	81.6	60,000*				
	35	79.6	60,000*	81.9	60,000*		
	40	77.6	60,000*	79.9	60,000*		
	50	73.6	60,000*	75.8	60,000*	77.9	59,740*
	60	69.4	60,000*	71.7	60,000*	73.7	53,610*
	70	65.1	60,000*	67.4	60,000*	69.4	48,670*
	80	60.7	60,000*	62.9	57,340*	64.8	44,800*
	90	56.1	57,040	58.2	52,700*	60.1	41,640*
	100	51.2	49,540	53.3	48,500*	55.0	40,580*
	110	45.8	43,540	47.9	43,550	49.5	40,570*
35' (10.7M) JIB & 120' (36.6M) BOOM	31	81.7	60,000*				
	35	80.3	60,000*				
	40	78.4	60,000*	80.5	60,000*	78.7	59,980*
	50	74.6	60,000*	76.8	60,000*	74.8	55,680*
	60	70.8	60,000*	72.9	60,000*	70.8	50,810*
	70	66.8	60,000*	68.9	60,000*	66.7	46,830*
	80	62.8	60,000*	64.8	59,790*	62.3	43,490*
	90	58.5	56,490	60.6	54,840*	62.3	43,490*
	100	54.1	48,980	56.1	48,980	57.8	40,660*
	110	49.3	42,980	51.3	42,980	52.9	40,440*
	120	44.2	38,330	46.1	38,330	47.6	38,340
	35' (10.7M) JIB & 130' (39.6M) BOOM	32	81.9	60,000*			
35		80.9	60,000*				
40		79.1	60,000*	81.1	60,000*		
50		75.6	60,000*	77.6	60,000*	79.4	59,930*
60		72.0	60,000*	74.0	60,000*	75.8	57,570*
70		68.3	60,000*	70.3	60,000*	72.1	52,530*
80		64.5	60,000*	66.5	60,000*	68.2	48,500*
90		60.6	56,300	62.5	56,310	64.2	45,100*
100		56.6	48,790	58.4	48,800	60.1	42,420*
110		52.3	42,790	54.1	42,790	55.7	40,540*
120		47.7	38,170	49.5	38,170	51.0	38,170
130		42.8	34,060	44.5	34,060	45.9	34,070
35' (10.7M) JIB & 140' (42.7M) BOOM		34	81.7	60,000*			
	35	81.4	60,000*				
	40	79.7	60,000*	81.6	60,000*		
	50	76.4	60,000*	78.3	60,000*	80.1	59,880*
	60	73.0	60,000*	74.9	60,000*	76.6	59,120*
	70	69.6	60,000*	71.5	60,000*	73.2	54,310*
	80	66.1	60,000*	67.9	60,000*	69.6	50,140*
	90	62.5	55,770	64.3	55,770	65.9	46,770*
	100	58.7	48,260	60.5	48,260	62.1	43,920*
	110	54.8	42,250	56.5	42,250	58.0	41,540*
	120	50.6	37,650	52.4	37,650	53.8	37,650
	130	46.2	33,550	47.9	33,550	49.3	33,560
	140	41.5	30,070	43.1	30,080	44.4	30,080
	35' (10.7M) JIB & 150' (45.7M) BOOM	35	81.8	60,000*			
40		80.3	60,000*				
50		77.2	60,000*	78.9	60,000*	80.6	59,830*
60		74.0	60,000*	75.8	60,000*	77.4	59,830*
70		70.7	60,000*	72.5	60,000*	74.1	55,810*
80		67.4	60,000*	69.2	60,000*	70.8	51,710*
90	64.1	55,190	65.8	55,190	67.3	48,280*	

Boom and Jib Length	Jib Radius (Feet)	5.0 Deg Offset		15.0 Deg Offset		25.0 Deg Offset	
		Boom Angle	Ratings (Pounds)	Boom Angle	Ratings (Pounds)	Boom Angle	Ratings (Pounds)
150' BOOM (con't)	100	60.6	47,660	62.3	47,670	63.8	45,280*
	110	56.9	41,650	58.6	41,660	60.1	41,670
	120	53.2	37,090	54.8	37,090	56.2	37,090
	130	49.2	32,970	50.8	32,980	52.1	32,980
	140	44.9	29,510	46.5	29,510	47.7	29,520
	150	40.3	26,530	41.8	26,540	43.0	26,540
35' (10.7M) JIB & 160' (48.8M) BOOM	36	82.0	60,000*				
	40	80.8	60,000*				
	50	77.8	60,000*	79.5	60,000*	81.1	59,790*
	60	74.8	60,000*	76.5	60,000*	78.1	59,790*
	70	71.8	60,000*	73.4	60,000*	75.0	57,170*
	80	68.7	60,000*	70.3	60,000*	71.8	53,180*
	90	65.5	54,640	67.1	54,650	68.6	49,740*
	100	62.2	47,120	63.8	47,120	65.3	46,770*
	110	58.8	41,110	60.4	41,110	61.8	41,120
	120	55.3	36,560	56.9	36,560	58.3	36,560
	130	51.7	32,450	53.2	32,460	54.5	32,460
35' (10.7M) JIB & 170' (51.8M) BOOM	140	47.8	28,970	49.3	28,980	50.6	28,980
	150	43.7	26,000	45.1	26,000	46.3	26,010
	160	39.2	23,430	40.6	23,430	41.7	23,440
	38	81.8	60,000*				
	40	81.2	60,000*				
	50	78.4	60,000*	80.0	60,000*	81.6	59,740*
	60	75.6	60,000*	77.2	60,000*	78.7	59,740*
	70	72.7	60,000*	74.3	60,000*	75.7	58,720*
	80	69.7	60,000*	71.3	60,000*	72.8	54,390*
	90	66.7	54,100	68.3	54,110	69.7	50,960*
35' (10.7M) JIB & 180' (54.9M) BOOM	100	63.7	46,570	65.2	46,580	66.6	46,590
	110	60.5	40,550	62.0	40,560	63.4	40,560
	120	57.2	36,030	58.8	36,030	60.1	36,030
	130	53.8	31,920	55.3	31,930	56.6	31,930
	140	50.3	28,440	51.8	28,450	53.0	28,450
	150	46.5	25,460	48.0	25,470	49.1	25,470
	160	42.5	22,880	43.9	22,880	45.0	22,890
	170	38.2	20,630	39.5	20,630	40.5	20,640
	39	81.9	60,000*				
	40	81.6	60,000*				
	50	79.0	60,000*	80.5	60,000*	82.0	59,690*
	60	76.2	60,000*	77.8	60,000*	79.2	59,690*
	70	73.5	60,000*	75.0	60,000*	76.4	59,690*
80	70.7	60,000*	72.2	60,000*	73.6	55,740*	
90	67.9	53,820	69.4	53,830	70.7	52,200*	
100	65.0	46,290	66.5	46,300	67.8	46,310	
110	62.0	40,270	63.5	40,270	64.8	40,280	
120	58.9	35,780	60.4	35,780	61.7	35,790	
130	55.8	31,670	57.2	31,670	58.4	31,670	
140	52.5	28,190	53.9	28,200	55.1	28,200	
150	49.0	25,210	50.4	25,220	51.5	25,220	
160	45.4	22,630	46.7	22,640	47.8	22,640	
170	41.5	20,380	42.8	20,380	43.8	20,390	
180	37.2	18,390	38.5	18,390	39.4	18,400	
35' (10.7M) JIB & 190' (57.9M) BOOM	41	81.8	60,000*				
	50	79.5	60,000*	80.9	60,000*		
	60	76.9	60,000*	78.3	60,000*	79.7	59,650*
	70	74.3	60,000*	75.7	60,000*	77.1	59,650*
	80	71.6	60,000*	73.0	60,000*	74.4	56,860*
	90	68.9	53,300	70.3	53,300	71.6	53,310
	100	66.2	45,760	67.6	45,760	68.9	45,770
	110	63.3	40,210	64.8	40,210	66.0	40,220
	120	60.5	35,270	61.9	35,270	63.1	35,280
	130	57.5	31,160	58.9	31,160	60.1	31,160
	140	54.4	27,670	55.8	27,680	56.9	27,680
	150	51.2	24,700	52.5	24,700	53.7	24,710
	160	47.8	22,110	49.2	22,110	50.2	22,120
	170	44.3	19,860	45.6	19,860	46.6	19,860
180	40.5	17,870	41.7	17,880	42.7	17,880	
190	36.3	16,100	37.5	16,110	38.4	16,110	
35' (10.7M) JIB & 200' (61.0M) BOOM	42	81.9	60,000*				
	50	79.9	60,000*	81.3	60,000*		
	60	77.4	60,000*	78.8	60,000*	80.2	59,610*
	70	74.9	60,000*	76.3	60,000*	77.6	59,610*
	80	72.4	60,000*	73.8	60,000*	75.1	58,090*
	90	69.8	52,740	71.2	52,740	72.5	52,750
100	67.2	45,200	68.6	45,200	69.8	45,210	



**LIFT RATINGS IN POUNDS (continued)**

**With 92HI Offset Tip Boom and 172,000 Pound Upper Counterweight, #30 Jib**

Boom and Jib Length	Jib Radius (Feet)	5.0 Deg Offset		15.0 Deg Offset		25.0 Deg Offset	
		Boom Angle	Ratings (Pounds)	Boom Angle	Ratings (Pounds)	Boom Angle	Ratings (Pounds)
200' BOOM (con't)	110	64.6	39,660	65.9	39,670	67.1	39,670
	120	61.8	34,730	63.2	34,730	64.4	34,730
	130	59.0	30,610	60.4	30,610	61.5	30,620
	140	56.1	27,120	57.5	27,130	58.6	27,130
	150	53.1	24,140	54.4	24,140	55.5	24,150
	160	50.0	21,560	51.3	21,560	52.3	21,570
	170	46.8	19,300	48.0	19,310	49.0	19,310
	180	43.3	17,310	44.5	17,310	45.4	17,320
	190	39.6	15,540	40.8	15,550	41.6	15,550
	200	35.5	13,970	36.7	13,970	37.4	13,980
35' (10.7M) JIB & 210' (64.0M) BOOM	43	82.0	60,000*				
	50	80.3	60,000*	81.7	60,000*		
	60	78.0	60,000*	79.3	60,000*	80.6	59,560*
	70	75.6	60,000*	76.9	60,000*	78.2	59,560*
	80	73.1	60,000*	74.5	60,000*	75.7	59,040*
	90	70.7	52,210	72.0	52,210	73.2	52,220
	100	68.2	44,670	69.5	44,670	70.7	44,680
	110	65.7	39,150	67.0	39,150	68.1	39,150
	120	63.1	34,210	64.4	34,210	65.5	34,220
	130	60.4	30,080	61.7	30,080	62.8	30,090
	140	57.7	26,610	59.0	26,610	60.1	26,610
	150	54.9	23,620	56.1	23,620	57.2	23,630
	160	52.0	21,030	53.2	21,030	54.2	21,040
	170	48.9	18,770	50.1	18,770	51.1	18,780
	180	45.7	16,780	46.9	16,790	47.9	16,790
190	42.3	15,010	43.5	15,010	44.4	15,020	
200	38.7	13,430	39.8	13,430	40.7	13,440	
210	34.8	12,010	35.8	12,010	36.6	12,020	
35' (10.7M) JIB & 220' (67.1M) BOOM	45	81.8	60,000*				
	50	80.7	60,000*				
	60	78.4	60,000*	79.7	60,000*	80.9	59,510*
	70	76.1	60,000*	77.4	60,000*	78.6	59,510*
	80	73.8	60,000*	75.1	60,000*	76.3	59,510*
	90	71.5	51,680	72.8	51,680	73.9	51,690
	100	69.1	44,130	70.4	44,130	71.5	44,140
	110	66.7	38,630	67.9	38,630	69.1	38,640
	120	64.2	33,680	65.5	33,680	66.6	33,690
	130	61.7	29,560	62.9	29,570	64.0	29,570
	140	59.1	26,080	60.3	26,080	61.4	26,090
	150	56.5	23,090	57.7	23,100	58.7	23,100
	160	53.7	20,500	54.9	20,500	55.9	20,510
	170	50.9	18,240	52.0	18,240	53.0	18,250
	180	47.9	16,250	49.0	16,250	50.0	16,260
190	44.8	14,470	45.9	14,480	46.8	14,480	
200	41.5	12,890	42.6	12,890	43.4	12,900	
210	37.9	11,470	39.0	11,470	39.7	11,480	
220	34.0	10,190	35.1	10,190	35.7	10,200	
35' (10.7M) JIB & 230' (70.1M) BOOM	46	81.9	60,000*				
	50	81.1	60,000*				
	60	78.9	60,000*	80.1	60,000*	81.3	59,460*
	70	76.7	60,000*	77.9	60,000*	79.1	59,460*
	80	74.4	60,000*	75.7	60,000*	76.8	59,460*
	90	72.2	51,350	73.4	51,360	74.6	51,360
	100	69.9	43,790	71.1	43,790	72.2	43,800
	110	67.6	38,330	68.8	38,330	69.9	38,330
	120	65.3	33,380	66.5	33,380	67.5	33,380
	130	62.9	29,260	64.0	29,260	65.1	29,270
	140	60.4	25,770	61.6	25,770	62.6	25,780
	150	57.9	22,790	59.0	22,790	60.0	22,790
	160	55.3	20,200	56.4	20,200	57.4	20,210
	170	52.6	17,940	53.7	17,940	54.7	17,950
	180	49.8	15,940	50.9	15,940	51.9	15,950
190	46.9	14,170	48.0	14,170	48.9	14,180	
200	43.9	12,580	44.9	12,590	45.8	12,590	
210	40.6	11,170	41.7	11,170	42.5	11,180	
220	37.1	9,880	38.2	9,880	38.9	9,890	
230	33.4	8,720	34.3	8,730	35.0	8,740	
35' (10.7M) JIB & 240' (73.2M) BOOM	48	81.8	60,000*				
	50	81.4	60,000*				
	60	79.3	60,000*	80.5	60,000*	81.6	59,410*
	70	77.2	60,000*	78.4	60,000*	79.5	59,410*
	80	75.0	60,000*	76.2	60,000*	77.3	59,410*
	90	72.9	50,830	74.0	50,840	75.1	50,840
	100	70.7	43,270	71.9	43,270	72.9	43,280

Boom and Jib Length	Jib Radius (Feet)	5.0 Deg Offset		15.0 Deg Offset		25.0 Deg Offset	
		Boom Angle	Ratings (Pounds)	Boom Angle	Ratings (Pounds)	Boom Angle	Ratings (Pounds)
240' BOOM (con't)	110	68.5	37,820	69.6	37,820	70.7	37,830
	120	66.2	32,870	67.4	32,870	68.4	32,880
	130	63.9	28,750	65.1	28,750	66.1	28,760
	140	61.6	25,260	62.7	25,270	63.7	25,270
	150	59.2	22,280	60.3	22,280	61.3	22,290
	160	56.7	19,680	57.8	19,690	58.8	19,690
	170	54.2	17,420	55.3	17,420	56.2	17,430
	180	51.6	15,430	52.7	15,430	53.6	15,440
	190	48.8	13,660	49.9	13,660	50.8	13,670
	200	46.0	12,070	47.1	12,070	47.9	12,080
35' (10.7M) JIB & 250' (76.2M) BOOM	210	43.0	10,640	44.1	10,650	44.8	10,650
	220	39.8	9,360	40.9	9,360	41.6	9,370
	230	36.4	8,190	37.4	8,200	38.1	8,200
	240	32.7	7,140	33.7	7,140	34.3	7,150
	49	81.9	60,000*				
	50	81.7	60,000*				
	60	79.7	60,000*	80.8	60,000*	81.9	59,370*
	70	77.6	60,000*	78.8	60,000*	79.9	59,370*
	80	75.6	60,000*	76.7	60,000*	77.8	59,370*
	90	73.5	50,290	74.6	50,300	75.7	50,310
35' (10.7M) JIB & 260' (79.2M) BOOM	100	71.4	42,730	72.5	42,730	73.6	42,740
	110	69.2	37,300	70.4	37,300	71.4	37,300
	120	67.1	32,340	68.2	32,350	69.2	32,350
	130	64.9	28,220	66.0	28,220	67.0	28,220
	140	62.7	24,720	63.8	24,720	64.7	24,720
	150	60.4	21,730	61.5	21,730	62.4	21,740
	160	58.0	19,140	59.1	19,150	60.0	19,150
	170	55.6	16,870	56.7	16,870	57.6	16,880
	180	53.1	14,880	54.2	14,880	55.1	14,890
	190	50.6	13,110	51.6	13,110	52.5	13,120
35' (10.7M) JIB & 270' (82.3M) BOOM	200	47.9	11,520	49.0	11,520	49.8	11,530
	210	45.1	10,090	46.2	10,090	46.9	10,100
	220	42.2	8,810	43.2	8,810	44.0	8,820
	230	39.1	7,630	40.1	7,640	40.8	7,640
	240	35.8	6,570	36.7	6,580	37.3	6,590
	250	32.1	5,600	33.0	5,600	33.6	5,610
	50	82.0	60,000*				
	60	80.0	60,000*	81.1	60,000*		
	70	78.0	60,000*	79.2	60,000*	80.2	55,290*
	80	76.1	59,520	77.2	59,240*	78.2	53,860*
35' (10.7M) JIB & 280' (85.3M) BOOM	90	74.1	49,770	75.2	49,780	76.2	49,790
	100	72.0	42,200	73.1	42,200	74.1	42,210
	110	70.0	36,790	71.1	36,790	72.1	36,800
	120	67.9	31,830	69.0	31,830	70.0	31,840
	130	65.8	27,700	66.9	27,700	67.8	27,710
	140	63.7	24,210	64.7	24,210	65.7	24,220
	150	61.5	21,210	62.5	21,220	63.5	21,220
	160	59.2	18,620	60.3	18,620	61.2	18,620
	170	56.9	16,350	58.0	16,350	58.9	16,360
	180	54.6	14,360	55.6	14,360	56.5	14,370
35' (10.7M) JIB & 290' (88.3M) BOOM	190	52.2	12,580	53.2	12,580	54.0	12,580
	200	49.7	11,000	50.7	11,000	51.5	11,000
	210	47.0	9,570	48.0	9,570	48.8	9,580
	220	44.3	8,280	45.3	8,280	46.0	8,290
	230	41.4	7,110	42.4	7,110	43.1	7,120
	240	38.4	6,050	39.3	6,050	40.0	6,060
	250	35.1	5,070	36.0	5,070	36.6	5,080
	260	31.5	4,170	32.4	4,180	32.9	4,190
	52	81.8	60,000*				
	60	80.3	60,000*	81.4	57,380*		
35' (10.7M) JIB & 300' (91.3M) BOOM	70	78.4	60,000*	79.5	54,860*	80.5	49,420*
	80	76.5	57,190*	77.6	52,360*	78.6	47,740*
	90	74.6	49,240	75.7	49,250	76.7	46,120*
	100	72.6	41,670	73.7	41,670	74.7	41,680
	110	70.7	36,280	71.7	36,280	72.7	36,280
	120	68.7	31,310	69.7	31,320	70.7	31,320
	130	66.6	27,180	67.7	27,190	68.6	27,190
	140	64.6	23,680	65.6	23,690	66.5	23,690
	150	62.5	20,6				

**LIFT RATINGS IN POUNDS (continued)**

**With 92HI Offset Tip Boom and 172,000 Pound Upper Counterweight, #30 Jib**

Boom and Jib Length	Jib Radius (Feet)	5.0 Deg Offset		15.0 Deg Offset		25.0 Deg Offset	
		Boom Angle	Ratings (Pounds)	Boom Angle	Ratings (Pounds)	Boom Angle	Ratings (Pounds)
270' BOOM (con't)	220	46.2	7,750	47.2	7,750	47.9	7,760
	230	43.5	6,570	44.5	6,570	45.2	6,580
	240	40.7	5,510	41.6	5,510	42.3	5,520
	250	37.7	4,530	38.6	4,530	39.3	4,540
45' (13.7M) JIB & 120' (36.6M) BOOM	33	81.9	60,000*				
	35	81.2	60,000*				
	40	79.4	60,000*				
	50	75.9	60,000*	78.5	60,000*	80.9	46,910*
	60	72.3	60,000*	74.8	60,000*	77.2	44,510*
	70	68.6	60,000*	71.1	55,020*	73.5	40,630*
	80	64.8	60,000*	67.3	49,340*	69.6	40,350*
	90	60.9	55,330*	63.4	44,790*	65.6	39,130*
	100	56.9	49,270	59.3	41,060*	61.5	36,220*
	110	52.6	43,270	55.0	40,210*	57.1	33,990*
45' (13.7M) JIB & 130' (39.6M) BOOM	34	82.0	60,000*				
	35	81.7	60,000*				
	40	80.0	60,000*				
	50	76.7	60,000*	79.1	60,000*	81.4	46,860*
	60	73.3	60,000*	75.7	60,000*	78.0	45,890*
	70	69.9	60,000*	72.3	57,350*	74.5	41,970*
	80	66.4	60,000*	68.7	51,500*	70.9	40,450*
	90	62.7	56,560	65.1	46,780*	67.2	40,380*
	100	59.0	49,050	61.3	42,900*	63.4	37,690*
	110	55.1	43,050	57.3	40,450*	59.3	35,290*
45' (13.7M) JIB & 140' (42.7M) BOOM	36	81.8	60,000*				
	40	80.6	60,000*				
	50	77.4	60,000*	79.7	60,000*	81.9	46,810*
	60	74.2	60,000*	76.5	60,000*	78.7	46,810*
	70	71.0	60,000*	73.3	58,830*	75.4	43,110*
	80	67.7	60,000*	70.0	53,760*	72.0	40,370*
	90	64.3	56,030	66.6	48,740*	68.6	40,370*
	100	60.8	48,510	63.0	44,870*	65.0	39,110*
	110	57.2	42,500	59.4	41,530*	61.3	36,730*
	120	53.4	37,940	55.6	37,940	57.4	34,610*
45' (13.7M) JIB & 150' (45.7M) BOOM	37	81.9	60,000*				
	40	81.0	60,000*				
	50	78.1	60,000*	80.3	60,000*	79.3	46,780*
	60	75.1	60,000*	77.2	60,000*	76.2	44,210*
	70	72.0	60,000*	74.2	60,000*	73.0	40,860*
	80	68.9	60,000*	71.0	55,400*	69.8	40,410*
	90	65.7	55,440	67.8	50,630*	66.4	40,350*
	100	62.5	47,920	64.6	46,580*	63.0	37,990*
	110	59.1	41,910	61.2	41,910	59.4	35,890*
	120	55.6	37,370	57.6	37,370	55.6	33,270
45' (13.7M) JIB & 160' (48.8M) BOOM	39	81.8	60,000*				
	40	81.5	60,000*				
	50	78.7	60,000*	80.7	60,000*	79.8	46,730*
	60	75.8	60,000*	77.9	60,000*	76.9	45,130*
	70	72.9	60,000*	75.0	60,000*	73.9	41,960*
	80	70.0	60,000*	72.0	56,820*	70.8	40,390*
	90	67.0	54,900	69.0	52,310*	67.7	40,390*
	100	63.9	47,370	65.9	47,380	64.5	39,200*
	110	60.7	41,360	62.7	41,370	61.2	36,850
	120	57.5	36,840	59.4	36,840	57.7	32,730
45' (13.7M) JIB & 170' (51.8M) BOOM	40	81.9	60,000*				
	50	79.2	60,000*	81.2	60,000*	80.3	46,680*
	60	76.5	60,000*	78.5	60,000*	77.5	46,060*
	70	73.7	60,000*	75.7	60,000*	74.7	42,830*
	80	70.9	60,000*	72.9	58,190*	71.8	40,130*
	90	68.1	54,350	70.0	53,790*	68.9	40,130*
	100	65.2	46,820	67.1	46,830		

Boom and Jib Length	Jib Radius (Feet)	5.0 Deg Offset		15.0 Deg Offset		25.0 Deg Offset	
		Boom Angle	Ratings (Pounds)	Boom Angle	Ratings (Pounds)	Boom Angle	Ratings (Pounds)
170' BOOM (con't)	110	62.2	40,800	64.1	40,800	65.8	40,130*
	120	59.2	36,300	61.0	36,300	62.7	36,310
	130	56.0	32,200	57.9	32,200	59.5	32,200
	140	52.7	28,710	54.5	28,720	56.1	28,720
	150	49.3	25,740	51.1	25,750	52.5	25,750
	160	45.6	23,150	47.4	23,160	48.8	23,170
	170	41.7	20,900	43.4	20,900	44.7	20,910
45' (13.7M) JIB & 180' (54.9M) BOOM	41	82.0	60,000*				
	50	79.7	60,000*	81.6	60,000*		
	60	77.1	60,000*	79.0	60,000*	80.8	46,630*
	70	74.5	60,000*	76.4	60,000*	78.1	46,630*
	80	71.8	60,000*	73.7	59,400*	75.4	43,800*
	90	69.1	54,050	71.0	54,060	72.7	41,060*
	100	66.4	46,520	68.2	46,530	69.9	40,250*
	110	63.6	40,500	65.4	40,510	67.0	40,250*
	120	60.7	36,030	62.5	36,040	64.1	36,040
	130	57.7	31,930	59.5	31,930	61.0	31,940
45' (13.7M) JIB & 190' (57.9M) BOOM	43	81.8	60,000*				
	50	80.1	60,000*	81.9	60,000*		
	60	77.6	60,000*	79.5	60,000*	81.2	46,580*
	70	75.1	60,000*	77.0	60,000*	78.6	46,580*
	80	72.6	60,000*	74.4	60,000*	76.1	44,560*
	90	70.0	53,530	71.8	53,540	73.5	41,830*
	100	67.4	45,990	69.2	45,990	70.8	40,230*
	110	64.8	39,960	66.5	39,970	68.1	40,230*
	120	62.0	35,520	63.8	35,520	65.3	35,520
	130	59.2	31,410	61.0	31,410	62.5	31,420
45' (13.7M) JIB & 200' (61.0M) BOOM	44	81.9	60,000*				
	50	80.5	60,000*				
	60	78.2	60,000*	79.9	60,000*	81.5	46,540*
	70	75.8	60,000*	77.5	60,000*	79.1	46,540*
	80	73.3	60,000*	75.1	60,000*	76.7	45,340*
	90	70.9	52,970	72.6	52,980	74.2	42,660*
	100	68.4	45,430	70.1	45,430	71.6	40,320*
	110	65.9	39,920	67.6	39,920	69.1	39,930
	120	63.3	34,970	64.9	34,970	66.4	34,980
	130	60.6	30,850	62.3	30,850	63.7	30,860
45' (13.7M) JIB & 210' (64.0M) BOOM	46	81.8	60,000*				
	50	80.9	60,000*				
	60	78.6	60,000*	80.3	60,000*	81.9	46,490*
	70	76.3	60,000*	78.0	60,000*	79.6	46,490*
	80	74.0	60,000*	75.7	60,000*	77.2	46,060*
	90	71.7	52,440	73.3	52,450	74.8	43,360*
	100	69.3	44,890	70.9	44,890	72.4	40,960*
	110	66.9	39,390	68.5	39,390	70.0	39,400
	120	64.4	34,450	66.0	34,460	67.5	34,460
	130	61.9	30,330	63.5	30,340	64.9	30,340
45' (13.7M) JIB & 220' (67.0M) BOOM	46	81.8	60,000*				
	50	80.9	60,000*				
	60	78.6	60,000*	80.3	60,000*	81.9	46,490*
	70	76.3	60,000*	78.0	60,000*	79.6	46,490*
	80	74.0	60,000*	75.7	60,000*	77.2	46,060*
	90	71.7	52,440	73.3	52,450	74.8	43,360*
	100	69.3	44,890	70.9	44,890	72.4	40,960*
	110	66.9	39,390	68.5	39,390	70.0	39,400
	120	64.4	34,450	66.0	34,460	67.5	34,460
	130	61.9	30,330	63.5	30,340	64.9	30,340



**LIFT RATINGS IN POUNDS (continued)**

**With 92HI Offset Tip Boom and 172,000 Pound Upper Counterweight, #30 Jib**

Boom and Jib Length	Jib Radius (Feet)	5.0 Deg Offset		15.0 Deg Offset		25.0 Deg Offset	
		Boom Angle	Ratings (Pounds)	Boom Angle	Ratings (Pounds)	Boom Angle	Ratings (Pounds)
45' (13.7M) JIB & 220' (67.1M) BOOM	47	81.9	60,000*				
	50	81.2	60,000*				
	60	79.1	60,000*	80.7	60,000*		
	70	76.9	60,000*	78.5	60,000*	80.0	46,450*
	80	74.6	60,000*	76.2	60,000*	77.7	46,450*
	90	72.4	51,900	74.0	51,910	75.4	44,170*
	100	70.1	44,350	71.7	44,350	73.1	41,710*
	110	67.8	38,880	69.4	38,880	70.8	38,880
	120	65.4	33,930	67.0	33,930	68.4	33,940
	130	63.0	29,810	64.6	29,810	65.9	29,820
	140	60.6	26,320	62.1	26,320	63.4	26,330
	150	58.1	23,340	59.6	23,340	60.9	23,340
	160	55.5	20,750	57.0	20,750	58.2	20,760
	170	52.8	18,490	54.3	18,490	55.5	18,500
180	50.0	16,490	51.5	16,490	52.7	16,500	
190	47.1	14,720	48.5	14,720	49.7	14,730	
200	44.0	13,140	45.5	13,150	46.6	13,160	
210	40.8	11,720	42.2	11,720	43.2	11,730	
220	37.3	10,430	38.7	10,430	39.6	10,440	
45' (13.7M) JIB & 230' (70.1M) BOOM	48	82.0	60,000*				
	50	81.6	60,000*				
	60	79.5	60,000*	81.0	60,000*		
	70	77.3	60,000*	78.9	60,000*	80.3	46,400*
	80	75.2	60,000*	76.7	60,000*	78.2	46,400*
	90	73.0	51,550	74.6	51,560	76.0	44,690*
	100	70.9	44,000	72.4	44,000	73.8	42,380*
	110	68.6	38,560	70.1	38,560	71.5	38,570
	120	66.4	33,610	67.9	33,610	69.2	33,620
	130	64.1	29,490	65.6	29,490	66.9	29,500
	140	61.7	26,000	63.2	26,010	64.5	26,010
	150	59.4	23,020	60.8	23,020	62.1	23,030
	160	56.9	20,430	58.3	20,440	59.6	20,440
	170	54.4	18,170	55.8	18,170	57.0	18,180
180	51.7	16,180	53.2	16,180	54.3	16,190	
190	49.0	14,410	50.4	14,410	51.6	14,420	
200	46.2	12,820	47.6	12,820	48.6	12,830	
210	43.2	11,400	44.5	11,410	45.6	11,420	
220	40.0	10,120	41.3	10,130	42.3	10,130	
230	36.6	8,950	37.9	8,960	38.8	8,970	
45' (13.7M) JIB & 240' (73.2M) BOOM	50	81.9	60,000*				
	60	79.8	60,000*	81.3	60,000*		
	70	77.8	60,000*	79.3	60,000*	80.7	46,350*
	80	75.7	60,000*	77.2	60,000*	78.6	46,350*
	90	73.7	51,040	75.1	51,050	76.5	45,450*
	100	71.5	43,480	73.0	43,480	74.4	42,990*
	110	69.4	38,060	70.9	38,060	72.2	38,060
	120	67.3	33,100	68.7	33,110	70.0	33,110
	130	65.1	28,990	66.5	28,990	67.8	28,990
	140	62.8	25,500	64.3	25,500	65.5	25,510
	150	60.5	22,500	62.0	22,500	63.2	22,510
	160	58.2	19,920	59.6	19,920	60.8	19,920
	170	55.8	17,650	57.2	17,650	58.4	17,660
	180	53.3	15,660	54.7	15,660	55.8	15,670
190	50.8	13,890	52.1	13,890	53.2	13,900	
200	48.1	12,300	49.4	12,300	50.5	12,310	
210	45.3	10,880	46.6	10,880	47.7	10,890	
220	42.4	9,600	43.7	9,600	44.7	9,610	
230	39.3	8,420	40.5	8,430	41.5	8,440	
240	35.9	7,360	37.2	7,370	38.0	7,380	
45' (13.7M) JIB & 250' (76.2M) BOOM	51	81.9	60,000*				
	60	80.2	60,000*	81.6	60,000*		
	70	78.2	60,000*	79.7	60,000*	81.0	46,310*
	80	76.2	60,000*	77.7	60,000*	79.0	46,310*
	90	74.2	50,500	75.7	50,510	77.0	46,090*
	100	72.2	42,930	73.6	42,930	74.9	42,950
	110	70.1	37,530	71.6	37,530	72.9	37,540
	120	68.1	32,570	69.5	32,570	70.7	32,580
	130	66.0	28,440	67.4	28,440	68.6	28,450
	140	63.8	24,950	65.2	24,950	66.4	24,960
	150	61.6	21,960	63.0	21,970	64.2	21,970
	160	59.4	19,370	60.8	19,370	61.9	19,380
	170	57.1	17,100	58.5	17,110	59.6	17,110
	180	54.8	15,110	56.1	15,110	57.2	15,120
190	52.3	13,340	53.7	13,340	54.8	13,350	
200	49.8	11,750	51.1	11,750	52.2	11,760	

Boom and Jib Length	Jib Radius (Feet)	5.0 Deg Offset		15.0 Deg Offset		25.0 Deg Offset	
		Boom Angle	Ratings (Pounds)	Boom Angle	Ratings (Pounds)	Boom Angle	Ratings (Pounds)
250' BOOM (con't)	210	47.2	10,330	48.5	10,330	49.5	10,340
	220	44.5	9,040	45.7	9,040	46.7	9,050
	230	41.6	7,870	42.9	7,870	43.8	7,880
	240	38.6	6,810	39.8	6,810	40.6	6,820
	250	35.3	5,840	36.5	5,840	37.3	5,850
45' (13.7M) JIB & 260' (79.2M) BOOM	53	81.8	60,000*				
	60	80.5	60,000*				
	70	78.6	60,000*	80.0	57,220*	81.3	46,260*
	80	76.7	59,720	78.1	55,010*	79.4	46,260*
	90	74.7	49,970	76.1	49,980	77.4	46,260*
	100	72.8	42,400	74.2	42,400	75.4	42,420
	110	70.8	37,020	72.2	37,020	73.4	37,020
	120	68.8	32,050	70.2	32,060	71.4	32,060
	130	66.8	27,920	68.2	27,930	69.4	27,930
	140	64.7	24,430	66.1	24,440	67.3	24,440
	150	62.6	21,440	64.0	21,440	65.2	21,450
	160	60.5	18,850	61.8	18,850	63.0	18,860
	170	58.3	16,580	59.6	16,590	60.8	16,590
	180	56.1	14,580	57.4	14,580	58.5	14,590
190	53.8	12,810	55.1	12,810	56.1	12,820	
200	51.4	11,230	52.7	11,230	53.7	11,240	
210	48.9	9,800	50.2	9,800	51.2	9,810	
220	46.4	8,510	47.6	8,510	48.6	8,520	
230	43.7	7,330	44.9	7,340	45.9	7,340	
240	40.9	6,270	42.1	6,270	43.0	6,280	
250	37.9	5,300	39.1	5,300	39.9	5,310	
260	34.7	4,410	35.8	4,420	36.6	4,430	
45' (13.7M) JIB & 270' (82.3M) BOOM	54	81.9	60,000*				
	60	80.8	60,000*				
	70	79.0	57,650*	80.3	50,910*	81.6	44,680*
	80	77.1	54,570*	78.5	48,880*	79.7	43,530*
	90	75.2	49,460	76.6	46,870*	77.8	42,160*
	100	73.4	41,870	74.7	41,880	75.9	40,770*
	110	71.5	36,510	72.8	36,510	74.0	36,520
	120	69.5	31,540	70.8	31,540	72.0	31,550
	130	67.6	27,410	68.9	27,410	70.1	27,420
	140	65.6	23,910	66.9	23,910	68.1	23,920
	150	63.6	20,920	64.9	20,920	66.0	20,930
	160	61.5	18,320	62.8	18,330	63.9	18,330
	170	59.4	16,060	60.7	16,060	61.8	16,070
	180	57.3	14,050	58.6	14,050	59.6	14,060
190	55.1	12,280	56.4	12,280	57.4	12,290	
200	52.8	10,690	54.1	10,690	55.1	10,700	
210	50.5	9,260	51.7	9,270	52.7	9,280	
220	48.1	7,980	49.3	7,980	50.3	7,990	
230	45.6	6,800	46.8	6,800	47.7	6,810	
240	43.0	5,730	44.1	5,740	45.0	5,740	
250	40.2	4,760	41.3	4,760	42.2	4,770	
260	37.3	3,870	38.4	3,870	39.2	3,880	
45' (13.7M) JIB & 280' (85.3M) BOOM	55	82.0	52,150*				
	60	81.1	50,620*				
	70	79.3	47,470*	80.6	42,110*	81.9	35,710*
	80	77.5	44,590*	78.8	40,190*	80.0	34,600*
	90	75.7	42,060*	77.0	36,820*	78.2	33,560*
	100	73.9	38,230*	75.2	35,270*	76.4	32,410*
	110	72.0	36,160	73.3	33,710*	74.5	31,240*
	120	70.2	31,190	71.5	31,200	72.6	29,940*
	130	68.3	27,060	69.6	27,070	70.7	27,070
	140	66.4	23,560	67.7	23,570	68.8	23,570
	150	64.5	20,560	65.7	20,570	66.8	20,570
	160	62.5	17,980	63.7	17,980	64.8	17,990
	170	60.5	15,710	61.7	15,710	62.8	15,720
	180	58.4	13,700	59.7	13,710	60.7	13,710
190	56.3	11,930	57.5	11,930	58.6	11,940	
200	54.2	10,340	55.4	10,340	56.4	10,350	
210	52.0	8,910	53.2	8,920	54.1	8,920	
220	49.7	7,620	50.9	7,630	51.8	7,630	
230	47.3	6,460	48.5	6,460	49.4	6,470	
240	44.8	5,390	46.0	5,390	46.9	5,400	
250	42.3	4,410	43.4	4,420	44.		

**LIFT RATINGS IN POUNDS (continued)**

**With 92HI Offset Tip Boom and 172,000 Pound Upper Counterweight, #30 Jib**

Boom and Jib Length	Jib Radius (Feet)	5.0 Deg Offset		15.0 Deg Offset		25.0 Deg Offset	
		Boom Angle	Ratings (Pounds)	Boom Angle	Ratings (Pounds)	Boom Angle	Ratings (Pounds)
55' (16.8M) JIB & 140' (42.7M) BOOM	38	81.9	60,000*				
	40	81.3	60,000*				
	50	78.3	60,000*	81.0	60,000*		
	60	75.3	60,000*	78.0	56,160*	80.5	38,790*
	70	72.3	60,000*	74.9	49,980*	77.4	38,790*
	80	69.2	59,210*	71.8	44,930*	74.2	37,500*
	90	66.0	53,090*	68.6	40,920*	71.0	34,640*
	100	62.7	47,920*	65.3	40,110*	67.6	32,290*
	110	59.3	42,770*	61.9	37,330*	64.2	30,260*
	120	55.8	38,230	58.4	35,040*	60.6	28,400*
130	52.2	34,120	54.7	33,020*	56.8	26,930*	
140	48.3	30,650	50.7	30,660	52.8	25,650*	
55' (16.8M) JIB & 150' (45.7M) BOOM	39	82.0	60,000*				
	40	81.7	60,000*				
	50	78.9	60,000*	81.5	60,000*		
	60	76.0	60,000*	78.6	57,750*	81.0	38,760*
	70	73.2	60,000*	75.7	51,650*	78.1	38,760*
	80	70.2	60,000*	72.7	46,410*	75.1	38,760*
	90	67.2	55,290*	69.7	42,440*	72.0	35,720*
	100	64.1	48,180	66.6	40,350*	68.9	33,270*
	110	61.0	42,170	63.4	38,560*	65.6	31,150*
	120	57.7	37,660	60.1	36,040*	62.3	29,330*
130	54.3	33,540	56.7	33,550	58.8	27,890*	
140	50.8	30,070	53.1	30,080	55.1	26,490*	
150	47.0	27,100	49.3	27,110	51.2	25,330*	
55' (16.8M) JIB & 160' (48.8M) BOOM	41	81.8	60,000*				
	50	79.4	60,000*	81.9	60,000*		
	60	76.7	60,000*	79.1	59,090*	81.4	38,740*
	70	74.0	60,000*	76.4	53,090*	78.6	38,740*
	80	71.2	60,000*	73.6	47,970*	75.8	38,740*
	90	68.3	55,160	70.7	43,790*	72.9	36,670*
	100	65.4	47,630	67.8	40,280*	69.9	34,240*
	110	62.5	41,620	64.8	39,570*	66.9	32,120*
	120	59.4	37,120	61.7	37,120	63.8	30,250*
	130	56.2	33,020	58.5	33,020	60.5	28,700*
140	52.9	29,540	55.2	29,550	57.1	27,310*	
150	49.5	26,560	51.7	26,570	53.6	26,150*	
160	45.8	23,980	48.0	23,990	49.8	24,000	
55' (16.8M) JIB & 170' (51.8M) BOOM	42	81.9	60,000*				
	50	79.9	60,000*				
	60	77.3	60,000*	79.6	60,000*	81.8	38,710*
	70	74.7	60,000*	77.0	54,510*	79.2	38,710*
	80	72.0	60,000*	74.3	49,300*	76.5	38,710*
	90	69.3	54,610	71.6	45,030*	73.7	37,580*
	100	66.6	47,080	68.9	41,500*	70.9	35,020*
	110	63.8	41,050	66.0	40,340*	68.0	32,900*
	120	60.9	36,590	63.1	36,600	65.1	31,110*
	130	57.9	32,480	60.1	32,480	62.1	29,560*
140	54.8	29,000	57.0	29,010	58.9	28,160*	
150	51.6	26,020	53.8	26,030	55.6	26,030	
160	48.3	23,440	50.4	23,450	52.1	23,450	
170	44.7	21,190	46.8	21,190	48.5	21,200	
55' (16.8M) JIB & 180' (54.9M) BOOM	44	81.8	60,000*				
	50	80.3	60,000*				
	60	77.9	60,000*	80.1	60,000*		
	70	75.4	60,000*	77.6	55,610*	79.6	38,700*
	80	72.8	60,000*	75.0	50,740*	77.1	38,700*
	90	70.3	54,300	72.4	46,410*	74.5	38,360*
	100	67.6	46,770	69.8	42,710*	71.8	35,900*
	110	65.0	40,740	67.1	40,250*	69.1	33,790*
	120	62.3	36,310	64.4	36,310	66.3	31,870*
	130	59.4	32,190	61.6	32,190	63.4	30,310*
140	56.6	28,710	58.6	28,720	60.5	28,730	
150	53.6	25,740	55.6	25,750	57.4	25,750	
160	50.4	23,160	52.5	23,160	54.2	23,170	
170	47.2	20,900	49.2	20,910	50.8	20,910	
180	43.7	18,920	45.7	18,920	47.2	18,930	
55' (16.8M) JIB & 190' (57.9M) BOOM	45	81.9	60,000*				
	50	80.7	60,000*				
	60	78.4	60,000*	80.5	60,000*		
	70	76.0	60,000*	78.1	56,540*	80.1	38,670*
	80	73.5	60,000*	75.7	51,980*	77.6	38,670*
	90	71.1	53,770	73.2	47,590*	75.1	38,670*
	100	68.6	46,230	70.7	44,070*	72.6	36,760*

Boom and Jib Length	Jib Radius (Feet)	5.0 Deg Offset		15.0 Deg Offset		25.0 Deg Offset	
		Boom Angle	Ratings (Pounds)	Boom Angle	Ratings (Pounds)	Boom Angle	Ratings (Pounds)
	110	66.1	40,210	68.1	40,220	70.0	34,480*
	120	63.5	35,790	65.5	35,790	67.4	32,630*
	130	60.8	31,670	62.9	31,680	64.7	31,070*
	140	58.1	28,200	60.1	28,200	61.9	28,210
	150	55.3	25,220	57.3	25,230	59.0	25,230
	160	52.4	22,640	54.3	22,640	56.0	22,650
	170	49.3	20,380	51.3	20,380	52.9	20,390
	180	46.1	18,390	48.0	18,400	49.6	18,410
	190	42.7	16,630	44.6	16,630	46.1	16,640
	55' (16.8M) JIB & 200' (61.0M) BOOM	46	82.0	60,000*			
50		81.1	60,000*				
60		78.8	60,000*	80.9	60,000*		
70		76.5	60,000*	78.6	57,610*	80.5	38,650*
80		74.2	60,000*	76.2	53,150*	78.1	38,650*
90		71.9	53,220	73.9	48,800*	75.8	38,650*
100		69.5	45,670	71.5	45,100*	73.3	37,380*
110		67.1	40,180	69.1	40,180	70.9	35,230*
120		64.6	35,240	66.6	35,250	68.4	33,390*
130		62.1	31,120	64.0	31,130	65.8	31,140
140	59.5	27,650	61.4	27,650	63.1	27,660	
150	56.8	24,660	58.8	24,670	60.4	24,670	
160	54.1	22,080	56.0	22,080	57.6	22,090	
170	51.2	19,820	53.1	19,820	54.7	19,830	
180	48.3	17,830	50.1	17,830	51.6	17,840	
190	45.1	16,060	47.0	16,070	48.4	16,080	
200	41.8	14,490	43.6	14,490	45.0	14,500	
55' (16.8M) JIB & 210' (64.0M) BOOM	48	81.9	60,000*				
	50	81.4	60,000*				
	60	79.2	60,000*	81.2	60,000*		
	70	77.0	60,000*	79.0	58,560*	80.9	38,620*
	80	74.8	60,000*	76.8	54,070*	78.6	38,620*
	90	72.6	52,680	74.5	49,850*	76.3	38,620*
	100	70.3	45,130	72.2	45,130	74.0	38,120*
	110	68.0	39,670	69.9	39,670	71.6	36,060*
	120	65.6	34,720	67.5	34,720	69.3	34,160*
	130	63.2	30,600	65.1	30,600	66.8	30,610
140	60.8	27,120	62.6	27,120	64.3	27,130	
150	58.2	24,140	60.1	24,140	61.7	24,150	
160	55.7	21,550	57.5	21,560	59.1	21,560	
170	53.0	19,290	54.8	19,290	56.3	19,300	
180	50.2	17,300	52.0	17,300	53.5	17,310	
190	47.3	15,530	49.1	15,530	50.5	15,540	
200	44.2	13,940	46.0	13,950	47.3	13,960	
210	41.0	12,530	42.7	12,530	44.0	12,540	
55' (16.8M) JIB & 220' (67.1M) BOOM	49	81.9	60,000*				
	50	81.7	60,000*				
	60	79.6	60,000*	81.5	60,000*		
	70	77.5	60,000*	79.4	59,320*	81.2	38,600*
	80	75.4	60,000*	77.3	54,890*	79.0	38,600*
	90	73.2	52,150	75.1	51,040*	76.8	38,600*
	100	71.0	44,590	72.9	44,590	74.6	38,600*
	110	68.8	39,140	70.7	39,140	72.4	36,670*
	120	66.6	34,200	68.4	34,200	70.1	34,210
	130	64.3	30,070	66.1	30,080	67.7	30,080
140	61.9	26,590	63.7	26,600	65.4	26,600	
150	59.5	23,600	61.3	23,600	62.9	23,610	
160	57.1	21,010	58.9	21,020	60.4	21,020	
170	54.5	18,750	56.3	18,750	57.8	18,760	
180	51.9	16,760	53.7	16,760	55.1	16,770	
190	49.2	14,990	50.9	14,990	52.3	15,000	
200	46.4	13,410	48.0	13,410	49.4	13,420	
210	43.4	11,980	45.0	11,990	46.3	12,000	
220	40.2	10,700	41.8	10,710	43.0	10,720	
55' (16.8M) JIB & 230' (70.1M) BOOM	51	81.8	60,000*				
	60	80.0	60,000*	81.8	60,000*		
	70	78.0	60,000*	79.8	60,000*	81.5	38,580*
	80	75.9	60,000*	77.7	55,800*	79.4	38,580*
	90	73.8	51,790	75.6	51,800	77.3	38,580*
	100	71.7	44,240	73.5	44,240	75.2	38,580*
	110	69.6	38,820	71.4	38,820	73.0	37,420*
	120	67.4	33,860	69.2	33,870	70.8	33,880
	130	65.2					

**LIFT RATINGS IN POUNDS (continued)**

**With 92HI Offset Tip Boom and 172,000 Pound Upper Counterweight, #30 Jib**

Boom and Jib Length	Jib Radius (Feet)	5.0 Deg Offset		15.0 Deg Offset		25.0 Deg Offset	
		Boom Angle	Ratings (Pounds)	Boom Angle	Ratings (Pounds)	Boom Angle	Ratings (Pounds)
230' BOOM (con't)	160	58.4	20,690	60.1	20,690	61.6	20,700
	170	56.0	18,430	57.7	18,430	59.1	18,440
	180	53.5	16,440	55.2	16,440	56.6	16,450
	190	50.9	14,670	52.6	14,670	54.0	14,680
	200	48.3	13,080	49.9	13,080	51.3	13,090
	210	45.5	11,660	47.1	11,660	48.4	11,670
	220	42.5	10,380	44.1	10,380	45.4	10,390
	230	39.4	9,210	41.0	9,220	42.2	9,230
55' (16.8M) JIB & 240' (73.2M) BOOM	52	81.9	60,000*				
	60	80.3	60,000*				
	70	78.4	60,000*	80.1	60,000*	81.8	38,550*
	80	76.4	60,000*	78.2	56,670*	79.8	38,550*
	90	74.4	51,270	76.1	51,280	77.8	38,550*
	100	72.4	43,710	74.1	43,720	75.7	38,550*
	110	70.3	38,310	72.0	38,310	73.6	38,010*
	120	68.2	33,360	70.0	33,360	71.5	33,370
	130	66.1	29,240	67.8	29,240	69.4	29,250
	140	64.0	25,750	65.7	25,750	67.2	25,760
	150	61.8	22,760	63.5	22,770	65.0	22,770
	160	59.6	20,180	61.2	20,180	62.7	20,190
	170	57.3	17,910	58.9	17,920	60.4	17,920
	180	54.9	15,920	56.6	15,920	58.0	15,930
	190	52.5	14,150	54.1	14,150	55.5	14,160
	200	50.0	12,560	51.6	12,560	52.9	12,570
210	47.4	11,140	49.0	11,140	50.2	11,150	
220	44.6	9,850	46.2	9,860	47.4	9,860	
230	41.8	8,690	43.3	8,690	44.5	8,700	
240	38.7	7,630	40.2	7,630	41.3	7,640	
55' (16.8M) JIB & 250' (76.2M) BOOM	53	82.0	60,000*				
	60	80.7	60,000*				
	70	78.8	60,000*	80.5	59,630*		
	80	76.8	60,000*	78.6	57,290*	80.2	38,530*
	90	74.9	50,730	76.6	50,740	78.2	38,530*
	100	73.0	43,160	74.6	43,170	76.2	38,530*
	110	71.0	37,790	72.7	37,790	74.2	37,800
	120	69.0	32,820	70.7	32,830	72.2	32,830
	130	67.0	28,700	68.6	28,710	70.1	28,710
	140	64.9	25,210	66.5	25,210	68.0	25,220
	150	62.8	22,220	64.4	22,220	65.9	22,230
	160	60.7	19,630	62.3	19,630	63.7	19,640
	170	58.5	17,360	60.1	17,370	61.5	17,380
	180	56.2	15,370	57.8	15,370	59.2	15,380
	190	53.9	13,600	55.5	13,600	56.9	13,610
	200	51.6	12,010	53.1	12,010	54.4	12,020
210	49.1	10,590	50.6	10,590	51.9	10,600	
220	46.5	9,300	48.1	9,300	49.3	9,310	
230	43.9	8,130	45.4	8,140	46.5	8,150	
240	41.0	7,070	42.5	7,070	43.6	7,080	
250	38.0	6,090	39.5	6,090	40.5	6,100	
55' (16.8M) JIB & 260' (79.2M) BOOM	55	81.9	60,000*				
	60	81.0	60,000*				
	70	79.1	60,000*	80.8	53,180*		
	80	77.3	58,460*	78.9	51,530*	80.5	38,510*
	90	75.4	50,220	77.0	49,570*	78.6	38,510*
	100	73.5	42,640	75.2	42,650	76.7	38,510*
	110	71.6	37,270	73.2	37,270	74.7	37,280
	120	69.7	32,320	71.3	32,320	72.8	32,330
	130	67.7	28,190	69.3	28,190	70.8	28,200
	140	65.7	24,690	67.4	24,690	68.8	24,700
	150	63.7	21,700	65.3	21,700	66.7	21,710
	160	61.7	19,100	63.3	19,110	64.7	19,110
	170	59.6	16,840	61.2	16,840	62.5	16,850
	180	57.4	14,840	59.0	14,850	60.3	14,850
	190	55.3	13,070	56.8	13,070	58.1	13,080
	200	53.0	11,480	54.5	11,480	55.8	11,490
210	50.7	10,050	52.2	10,060	53.4	10,070	
220	48.3	8,770	49.7	8,770	51.0	8,780	
230	45.7	7,600	47.2	7,600	48.4	7,610	
240	43.1	6,530	44.6	6,540	45.7	6,550	
250	40.3	5,560	41.8	5,560	42.8	5,570	
260	37.4	4,660	38.8	4,670	39.8	4,680	

Boom and Jib Length	Jib Radius (Feet)	5.0 Deg Offset		15.0 Deg Offset		25.0 Deg Offset	
		Boom Angle	Ratings (Pounds)	Boom Angle	Ratings (Pounds)	Boom Angle	Ratings (Pounds)
55' (16.8M) JIB & 270' (82.3M) BOOM	56	81.9	59,530*				
	60	81.2	58,160*				
	70	79.5	54,860*	81.1	47,450*		
	80	77.7	52,000*	79.3	45,640*	80.8	38,490*
	90	75.9	49,220*	77.5	44,000*	78.9	37,670*
	100	74.0	42,100	75.6	42,110	77.1	36,690*
	110	72.2	36,770	73.8	36,770	75.2	35,770*
	120	70.3	31,800	71.9	31,810	73.3	31,810
	130	68.5	27,660	70.0	27,670	71.4	27,670
	140	66.5	24,170	68.1	24,180	69.5	24,180
	150	64.6	21,170	66.1	21,180	67.5	21,190
	160	62.6	18,580	64.2	18,580	65.5	18,590
	170	60.6	16,310	62.1	16,310	63.5	16,320
	180	58.6	14,310	60.1	14,320	61.4	14,330
	190	56.5	12,530	58.0	12,530	59.3	12,540
	200	54.3	10,950	55.8	10,950	57.1	10,960
210	52.1	9,510	53.6	9,520	54.8	9,530	
220	49.8	8,220	51.3	8,230	52.5	8,240	
230	47.5	7,060	48.9	7,060	50.0	7,070	
240	45.0	5,990	46.4	5,990	47.5	6,000	
250	42.4	5,010	43.8	5,020	44.9	5,030	
260	39.7	4,120	41.0	4,130	42.1	4,140	
55' (16.8M) JIB & 280' (85.3M) BOOM	58	81.8	48,830*				
	60	81.5	48,350*				
	70	79.8	45,380*	81.3	37,580*		
	80	78.0	42,620*	79.6	36,270*	81.1	31,890*
	90	76.3	40,170*	77.8	34,690*	79.3	31,030*
	100	74.5	36,650*	76.1	33,260*	77.5	30,030*
	110	72.7	34,750*	74.3	31,860*	75.7	29,010*
	120	70.9	31,440	72.5	30,440*	73.9	27,960*
	130	69.1	27,310	70.6	27,310	72.0	26,980*
	140	67.3	23,820	68.8	23,820	70.2	23,830
	150	65.4	20,820	66.9	20,820	68.3	20,830
	160	63.5	18,220	65.0	18,220	66.3	18,230
	170	61.6	15,950	63.1	15,960	64.4	15,960
	180	59.6	13,960	61.1	13,960	62.4	13,970
	190	57.6	12,180	59.1	12,190	60.3	12,190
	200	55.5	10,590	57.0	10,590	58.2	10,600
210	53.4	9,160	54.9	9,170	56.1	9,180	
220	51.3	7,870	52.7	7,880	53.9	7,890	
230	49.0	6,700	50.4	6,710	51.6	6,720	
240	46.7	5,640	48.1	5,640	49.2	5,650	
250	44.3	4,660	45.6	4,660	46.7	4,670	
260	41.7	3,760	43.1	3,770	44.1	3,780	
65' (19.8M) JIB & 170' (51.8M) BOOM	45	81.8	55,300*				
	50	80.5	54,350*				
	60	78.1	52,480*	80.7	47,400*		
	70	75.6	50,780*	78.2	46,300*	80.7	32,810*
	80	73.0	49,330*	75.6	42,120*	78.1	32,810*
	90	70.5	47,820*	73.1	39,560*	75.5	31,490*
	100	67.9	46,420*	70.4	38,510*	72.8	29,380*
	110	65.2	41,230	67.7	35,980*	70.1	27,670*
65' (19.8M) JIB & 180' (54.9M) BOOM	46	81.9	54,770*				
	50	80.9	54,180*				
	60	78.6	52,460*	81.1	47,220*		
	70	76.2	51,020*	78.7	46,270*	81.1	32,780*
	80	73.7	49,390*	76.3	43,270*	78.6	32,780*
	90	71.3	47,960*	73.8	39,680*	76.1	32,150*
	100	68.8	46,770*	71.3	38,840*	73.6	30,040*
	110	66.3	40,900	68.7	36,800*	71.0	28,260*
	120	63.7	36,490	66.1	34,560*	68.3	26,670*
	130	61.0	32,370	63.4	32,380	65.6	25,390*
	140	58.3	28,900	60.7	28,900	62.8	24,150*
	150	55.5	25,920	57.9	25,930	59.9	23,020*
	160	52.6	23,340	54.9	23,340	56.9	22,090*
	170	49.5	21,090	51.8	21,090	53.8	21,100
	180	46.3	19,100	48.6	19,110	50.5	19,120



**LIFT RATINGS IN POUNDS (continued)**

**With 92HI Offset Tip Boom and 172,000 Pound Upper Counterweight, #30 Jib**

Boom and Jib Length	Jib Radius (Feet)	5.0 Deg Offset		15.0 Deg Offset		25.0 Deg Offset	
		Boom Angle	Ratings (Pounds)	Boom Angle	Ratings (Pounds)	Boom Angle	Ratings (Pounds)
65' (19.8M) JIB & 190' (57.9M) BOOM	47	82.0	54,660*				
	50	81.3	54,120*				
	60	79.0	52,590*	81.4	47,250*		
	70	76.7	51,110*	79.1	46,110*	81.4	32,760*
	80	74.4	49,680*	76.8	44,270*	79.1	32,760*
	90	72.1	48,310*	74.5	40,450*	76.7	32,760*
	100	69.7	46,390	72.1	39,020*	74.3	30,730*
	110	67.3	40,370	69.6	37,710*	71.8	28,940*
	120	64.8	35,970	67.1	35,320*	69.3	27,290*
	130	62.3	31,850	64.6	31,860	66.7	25,900*
	140	59.7	28,380	62.0	28,380	64.1	24,640*
	150	57.0	25,400	59.3	25,410	61.3	23,610*
160	54.3	22,820	56.5	22,820	58.5	22,580*	
170	51.4	20,570	53.7	20,570	55.6	20,580	
180	48.5	18,580	50.7	18,580	52.5	18,590	
190	45.3	16,810	47.5	16,820	49.3	16,830	
65' (19.8M) JIB & 200' (61.0M) BOOM	49	81.8	54,500*				
	50	81.6	54,280*				
	60	79.4	52,920*	81.8	47,270*		
	70	77.2	51,380*	79.6	46,320*	81.8	32,730*
	80	75.0	49,940*	77.3	45,200*	79.5	32,730*
	90	72.8	48,680*	75.1	41,450*	77.2	32,730*
	100	70.5	45,830	72.8	39,160*	74.9	31,280*
	110	68.2	39,800	70.4	38,370*	72.5	29,420*
	120	65.8	35,430	68.1	35,430	70.1	27,910*
	130	63.4	31,310	65.7	31,310	67.7	26,510*
	140	60.9	27,830	63.2	27,840	65.2	25,240*
	150	58.4	24,850	60.6	24,850	62.6	24,110*
160	55.8	22,260	58.0	22,270	59.9	22,270	
170	53.2	20,010	55.3	20,010	57.2	20,020	
180	50.4	18,020	52.5	18,020	54.3	18,030	
190	47.5	16,250	49.6	16,250	51.3	16,260	
200	44.4	14,660	46.5	14,670	48.2	14,680	
65' (19.8M) JIB & 210' (64.0M) BOOM	50	81.9	54,220*				
	60	79.8	52,820*				
	70	77.7	51,470*	79.9	46,350*		
	80	75.6	50,010*	77.8	45,420*	79.9	32,720*
	90	73.4	48,880*	75.6	42,310*	77.7	32,720*
	100	71.2	45,290	73.4	39,310*	75.5	31,790*
	110	69.0	39,850	71.2	38,690*	73.2	30,060*
	120	66.7	34,900	68.9	34,900	70.9	28,410*
	130	64.4	30,780	66.6	30,790	68.6	27,040*
	140	62.1	27,300	64.3	27,310	66.2	25,740*
	150	59.7	24,320	61.8	24,320	63.7	24,330
	160	57.2	21,730	59.4	21,740	61.2	21,750
170	54.7	19,470	56.8	19,470	58.6	19,480	
180	52.1	17,480	54.2	17,480	55.9	17,490	
190	49.4	15,710	51.4	15,710	53.1	15,720	
200	46.5	14,130	48.5	14,140	50.2	14,140	
210	43.5	12,710	45.5	12,720	47.1	12,730	
65' (19.8M) JIB & 220' (67.1M) BOOM	51	82.0	54,030*				
	60	80.2	52,740*				
	70	78.1	51,550*	80.3	46,300*		
	80	76.1	50,270*	78.2	45,430*	80.3	32,690*
	90	74.0	48,900*	76.1	43,240*	78.2	32,690*
	100	71.9	44,750	74.0	40,010*	76.0	32,380*
	110	69.8	39,330	71.9	38,660*	73.9	30,560*
	120	67.6	34,380	69.7	34,390	71.7	28,980*
	130	65.4	30,260	67.5	30,260	69.4	27,560*
	140	63.2	26,780	65.3	26,780	67.1	26,260*
	150	60.9	23,790	63.0	23,790	64.8	23,800
	160	58.5	21,200	60.6	21,200	62.4	21,210
170	56.1	18,940	58.2	18,950	59.9	18,950	
180	53.7	16,950	55.7	16,950	57.4	16,960	
190	51.1	15,180	53.1	15,180	54.8	15,190	
200	48.4	13,590	50.4	13,590	52.0	13,600	
210	45.6	12,170	47.6	12,180	49.2	12,190	
220	42.7	10,890	44.6	10,890	46.1	10,900	
65' (19.8M) JIB & 230' (70.1M) BOOM	53	81.9	53,220*				
	60	80.5	52,420*				
	70	78.5	51,160*	80.6	45,890*		
	80	76.6	49,870*	78.6	45,000*	80.6	32,670*
	90	74.6	48,810*	76.6	44,010*	78.6	32,670*
	100	72.5	44,390	74.6	40,750*	76.5	32,670*
	110	70.5	38,990	72.5	38,640*	74.4	31,050*

Boom and Jib Length	Jib Radius (Feet)	5.0 Deg Offset		15.0 Deg Offset		25.0 Deg Offset	
		Boom Angle	Ratings (Pounds)	Boom Angle	Ratings (Pounds)	Boom Angle	Ratings (Pounds)
230' BOOM (con't)	120	68.4	34,040	70.5	34,040	72.3	29,490*
	130	66.3	29,920	68.3	29,920	70.2	28,070*
	140	64.1	26,440	66.2	26,450	68.0	26,450
	150	62.0	23,450	64.0	23,460	65.8	23,470
	160	59.7	20,870	61.7	20,870	63.5	20,880
	170	57.4	18,600	59.4	18,610	61.1	18,620
	180	55.1	16,610	57.0	16,610	58.7	16,620
	190	52.7	14,840	54.6	14,840	56.2	14,850
	200	50.1	13,260	52.1	13,260	53.7	13,270
	210	47.5	11,840	49.4	11,840	51.0	11,850
	220	44.8	10,550	46.7	10,560	48.2	10,570
	230	41.9	9,390	43.8	9,390	45.2	9,400
65' (19.8M) JIB & 240' (73.2M) BOOM	54	82.0	52,810*				
	60	80.8	52,150*				
	70	78.9	51,040*	81.0	45,690*		
	80	77.0	49,920*	79.0	44,910*	80.9	32,640*
	90	75.1	48,840*	77.1	44,220*	79.0	32,640*
	100	73.1	43,860	75.1	41,540*	77.0	32,640*
	110	71.1	38,490	73.1	38,490	75.0	31,550*
	120	69.1	33,530	71.1	33,540	72.9	29,990*
	130	67.1	29,410	69.1	29,420	70.9	28,460*
	140	65.1	25,930	67.0	25,930	68.8	25,940
	150	63.0	22,940	64.9	22,940	66.6	22,950
	160	60.8	20,350	62.8	20,350	64.5	20,360
170	58.6	18,080	60.6	18,090	62.2	18,100	
180	56.4	16,090	58.3	16,090	59.9	16,100	
190	54.1	14,320	56.0	14,320	57.6	14,330	
200	51.7	12,740	53.6	12,740	55.1	12,750	
210	49.3	11,320	51.1	11,320	52.6	11,330	
220	46.7	10,030	48.5	10,030	50.0	10,040	
230	44.0	8,860	45.8	8,870	47.2	8,880	
240	41.2	7,800	43.0	7,800	44.3	7,820	
65' (19.8M) JIB & 250' (76.2M) BOOM	56	81.8	52,570*				
	60	81.1	52,180*				
	70	79.3	51,090*	81.2	45,560*		
	80	77.4	49,940*	79.4	44,910*	81.2	32,620*
	90	75.6	48,860*	77.5	44,210*	79.3	32,620*
	100	73.7	43,320	75.6	39,450*	77.4	32,620*
	110	71.8	37,960	73.7	37,960	75.5	31,920*
	120	69.8	33,010	71.8	33,010	73.5	30,370*
	130	67.9	28,880	69.8	28,880	71.5	28,890
	140	65.9	25,390	67.8	25,390	69.5	25,400
	150	63.9	22,390	65.8	22,390	67.5	22,400
	160	61.8	19,800	63.7	19,810	65.4	19,820
170	59.7	17,540	61.6	17,540	63.2	17,550	
180	57.6	15,540	59.5	15,550	61.1	15,550	
190	55.4	13,770	57.2	13,770	58.8	13,780	
200	53.1	12,190	55.0	12,190	56.5	12,200	
210	50.8	10,750	52.6	10,760	54.1	10,770	
220	48.4	9,480	50.2	9,480	51.6	9,490	
230	45.9	8,310	47.6	8,310	49.1	8,320	
240	43.3	7,240	45.0	7,250	46.3	7,260	
250	40.5	6,270	42.2	6,280	43.5	6,290	
65' (19.8M) JIB & 260' (79.2M) BOOM	57	81.9	52,170*				
	60	81.4	51,920*				
	70	79.6	50,830*	81.5	45,210*		
	80	77.8	49,740*	79.7	44,540*	81.5	32,600*
	90	76.0	48,810*	77.9	43,950*	79.7	32,600*
	100	74.2	42,790	76.1	42,800	77.8	32,600*
	110	72.3	37,450	74.2	37,450	76.0	32,420*
	120	70.5	32,490	72.4	32,500	74.1	30,850*
	130	68.6	28,360	70.5	28,370	72.2	28,380
	140	66.7	24,860	68.5	24,870	70.2	24,880
	150	64.8	21,870	66.6	21,880	68.2	21,890
	160	62.8	19,290	64.6	19,290	66.2	19,300
170	60.8	17,020	62.6	17,020	64.2	17,030	
180	58.7	15,010	60.5	15,020	62.1	15,030	
190	56.6	13,240	58.4	13,240	59.9	13,250	
200	54.5	11,660	56.2	11,660	57.7	11,670	
210	52.3	10,220	54.0	10,230	55.5	10,240	
220	50.0	8,940					

**LIFT RATINGS IN POUNDS (continued)**

**With 92HI Offset Tip Boom and 172,000 Pound Upper Counterweight, #30 Jib**

Boom and Jib Length	Jib Radius (Feet)	5.0 Deg Offset		15.0 Deg Offset		25.0 Deg Offset	
		Boom Angle	Ratings (Pounds)	Boom Angle	Ratings (Pounds)	Boom Angle	Ratings (Pounds)
65' (19.8M) JIB & 270' (82.3M) BOOM	58	82.0	51,540*				
	60	81.6	51,350*				
	70	79.9	50,370*	81.8	44,310*		
	80	78.2	49,430*	80.0	42,850*	81.8	32,570*
	90	76.4	47,160*	78.3	41,210*	80.0	32,570*
	100	74.7	42,250	76.5	38,370*	78.2	32,570*
	110	72.9	36,940	74.7	36,940	76.4	32,570*
	120	71.1	31,980	72.9	31,980	74.6	31,220*
	130	69.3	27,840	71.1	27,840	72.7	27,850
	140	67.4	24,350	69.2	24,350	70.9	24,360
	150	65.6	21,350	67.3	21,350	69.0	21,360
	160	63.7	18,760	65.4	18,760	67.0	18,770
	170	61.7	16,480	63.5	16,490	65.1	16,500
	180	59.8	14,490	61.5	14,490	63.0	14,500
	190	57.7	12,710	59.5	12,720	61.0	12,720
	200	55.7	11,130	57.4	11,130	58.9	11,140
210	53.6	9,690	55.3	9,700	56.7	9,710	
220	51.4	8,400	53.1	8,410	54.5	8,420	
230	49.2	7,230	50.8	7,240	52.2	7,250	
240	46.8	6,170	48.5	6,170	49.8	6,180	
250	44.4	5,190	46.0	5,190	47.3	5,210	
260	41.9	4,290	43.5	4,300	44.7	4,310	
65' (19.8M) JIB & 280' (85.3M) BOOM	60	81.9	46,040*				
	70	80.2	43,270*				
	80	78.5	40,730*	80.3	34,030*		
	90	76.8	36,990*	78.6	32,710*	80.3	28,640*
	100	75.1	35,070*	76.9	31,430*	78.6	27,810*
	110	73.4	33,240*	75.2	30,130*	76.8	26,940*
	120	71.7	31,570*	73.4	28,820*	75.0	26,090*
	130	69.9	27,480	71.7	27,490	73.3	25,130*
	140	68.1	23,980	69.9	23,990	71.4	23,990
	150	66.3	20,990	68.0	21,000	69.6	21,000
	160	64.5	18,390	66.2	18,400	67.8	18,410
	170	62.6	16,130	64.3	16,130	65.9	16,140
	180	60.7	14,130	62.4	14,130	63.9	14,140
	190	58.8	12,350	60.5	12,360	62.0	12,370
	200	56.8	10,760	58.5	10,760	60.0	10,770
	210	54.8	9,340	56.5	9,340	57.9	9,350
220	52.7	8,040	54.4	8,050	55.8	8,060	
230	50.6	6,870	52.2	6,880	53.6	6,890	
240	48.4	5,800	50.0	5,810	51.3	5,820	
250	46.1	4,830	47.7	4,830	49.0	4,840	
260	43.7	3,940	45.3	3,950	46.5	3,960	
75' (22.9M) JIB & 190' (57.9M) BOOM	50	81.8	42,120*				
	60	79.6	36,150*				
	70	77.4	35,050*	80.1	31,710*		
	80	75.2	33,980*	77.9	30,930*	80.4	28,010*
	90	72.9	32,970*	75.6	30,010*	78.1	27,230*
	100	70.7	32,130*	73.3	29,180*	75.8	26,310*
	110	68.3	31,330*	71.0	28,270*	73.4	24,710*
	120	66.0	30,210*	68.6	27,480*	71.0	23,350*
	130	63.6	29,320*	66.2	26,840*	68.6	22,140*
	140	61.1	28,390*	63.7	26,200*	66.1	21,120*
	150	58.6	25,560	61.2	25,560	63.5	20,100*
	160	56.0	22,970	58.6	22,980	60.8	19,250*
	170	53.3	20,720	55.9	20,720	58.0	18,460*
	180	50.6	18,730	53.0	18,730	55.2	17,780*
	190	47.6	16,970	50.1	16,980	52.2	16,990
	75' (22.9M) JIB & 200' (61.0M) BOOM	51	81.9	42,160*			
60		80.0	36,290*				
70		77.9	35,250*	80.5	31,790*		
80		75.7	34,200*	78.3	31,060*	80.8	28,120*
90		73.6	33,250*	76.2	30,210*	78.6	27,440*
100		71.4	32,450*	74.0	29,350*	76.4	26,780*
110		69.2	31,600*	71.7	28,580*	74.1	25,170*
120		66.9	30,710*	69.5	27,760*	71.8	23,840*
130		64.6	29,660*	67.1	27,040*	69.4	22,620*
140		62.3	27,980	64.8	26,390*	67.0	21,530*
150		59.9	25,000	62.4	25,000	64.6	20,590*
160		57.4	22,420	59.9	22,430	62.1	19,660*
170		54.9	20,160	57.3	20,160	59.5	18,900*
180		52.3	18,170	54.7	18,170	56.8	18,180
190		49.5	16,410	51.9	16,410	54.0	16,420
200		46.7	14,820	49.1	14,830	51.0	14,840

Boom and Jib Length	Jib Radius (Feet)	5.0 Deg Offset		15.0 Deg Offset		25.0 Deg Offset	
		Boom Angle	Ratings (Pounds)	Boom Angle	Ratings (Pounds)	Boom Angle	Ratings (Pounds)
75' (22.9M) JIB & 210' (64.0M) BOOM	52	82.0	42,170*				
	60	80.3	36,440*				
	70	78.3	35,310*	80.8	31,800*		
	80	76.2	34,380*	78.8	31,060*	81.1	28,240*
	90	74.2	33,470*	76.7	30,480*	79.0	27,550*
	100	72.1	32,540*	74.5	29,540*	76.9	26,900*
	110	69.9	31,720*	72.4	28,720*	74.7	25,680*
	120	67.8	30,940*	70.2	27,960*	72.5	24,230*
	130	65.6	30,040*	68.0	27,330*	70.2	23,070*
	140	63.3	27,460	65.8	26,690*	67.9	21,940*
	150	61.1	24,470	63.5	24,480	65.6	21,000*
	160	58.7	21,900	61.1	21,900	63.2	20,150*
	170	56.3	19,630	58.7	19,640	60.7	19,290*
	180	53.8	17,640	56.2	17,640	58.2	17,650
	190	51.3	15,870	53.6	15,870	55.6	15,880
	200	48.6	14,290	50.9	14,290	52.8	14,300
210	45.8	12,870	48.1	12,880	49.9	12,890	
75' (22.9M) JIB & 220' (67.1M) BOOM	54	81.9	41,850*				
	60	80.7	36,400*				
	70	78.7	36,400*	81.1	31,850*		
	80	76.7	34,550*	79.1	31,120*	81.4	28,230*
	90	74.7	33,680*	77.1	30,500*	79.4	27,650*
	100	72.7	32,760*	75.1	29,710*	77.3	27,010*
	110	70.6	31,950*	73.0	28,940*	75.2	26,100*
	120	68.6	31,180*	70.9	28,170*	73.1	24,730*
	130	66.5	30,420*	68.8	27,530*	71.0	23,480*
	140	64.3	26,930	66.7	26,880*	68.8	22,350*
	150	62.1	23,940	64.5	23,950	66.5	21,410*
	160	59.9	21,360	62.2	21,360	64.3	20,550*
	170	57.6	19,090	59.9	19,100	61.9	19,110
	180	55.3	17,100	57.5	17,100	59.5	17,110
	190	52.8	15,340	55.1	15,340	57.0	15,350
	200	50.3	13,750	52.5	13,750	54.4	13,760
210	47.7	12,330	49.9	12,330	51.7	12,340	
220	45.0	11,040	47.1	11,050	48.9	11,060	
75' (22.9M) JIB & 230' (70.1M) BOOM	55	81.9	41,460*				
	60	81.0	36,350*				
	70	79.1	36,350*	81.4	31,700*		
	80	77.2	34,540*	79.5	31,100*	81.7	28,290*
	90	75.2	33,730*	77.6	30,480*	79.8	27,710*
	100	73.3	32,830*	75.6	29,860*	77.8	27,090*
	110	71.3	32,060*	73.6	29,200*	75.8	26,500*
	120	69.3	31,290*	71.6	28,440*	73.7	25,120*
	130	67.3	30,070	69.6	27,690*	71.7	23,880*
	140	65.2	26,590	67.5	26,590	69.6	22,750*
	150	63.1	23,610	65.4	23,610	67.4	21,810*
	160	61.0	21,020	63.2	21,020	65.2	20,870*
	170	58.8	18,750	61.0	18,760	63.0	18,770
	180	56.6	16,760	58.8	16,770	60.7	16,770
	190	54.3	14,990	56.4	14,990	58.3	15,000
	200	51.9	13,410	54.0	13,410	55.9	13,420
210	49.4	11,990	51.6	11,990	53.3	12,000	
220	46.9	10,710	49.0	10,710	50.7	10,720	
230	44.2	9,540	46.3	9,550	47.9	9,560	
75' (22.9M) JIB & 240' (73.2M) BOOM	57	81.8	36,690*				
	60	81.3	36,690*				
	70	79.4	35,470*	81.7	31,730*		
	80	77.6	34,600*	79.8	31,110*	82.0	28,270*
	90	75.7	33,790*	78.0	30,520*	80.1	27,820*
	100	73.8	33,040*	76.1	29,890*	78.2	27,220*
	110	71.9	32,170*	74.2	29,300*	76.2	26,590*
	120	70.0	31,520*	72.2	28,660*	74.3	25,510*
	130	68.0	29,570	70.3	27,900*	72.3	24,270*
	140	66.1	26,080	68.3	26,080	70.3	23,140*
	150	64.0	23,090	66.2	23,100	68.2	22,120*
	160	62.0	20,500	64.2	20,510	66.1	20,520
	170	59.9	18,240	62.1	18,240	64.0	18,250
	180	57.8	16,240	59.9	16,250	61.8	16,260
	190	55.6	14,470	57.7	14,470	59.5	14,480
	200	53.3	12,890	55.4	12,890	57.2	12,900
210	51.0	11,460	53.1	11,470	54.8	11,480	
220	48.6	10,180	50.6	10,180	52.3	1	

**LIFT RATINGS IN POUNDS (continued)**

**With 92HI Offset Tip Boom and 172,000 Pound Upper Counterweight, #30 Jib**

Boom and Jib Length	Jib Radius (Feet)	5.0 Deg Offset		15.0 Deg Offset		25.0 Deg Offset	
		Boom Angle	Ratings (Pounds)	Boom Angle	Ratings (Pounds)	Boom Angle	Ratings (Pounds)
75' (22.9M) JIB & 250' (76.2M) BOOM	58	81.9	36,570*				
	60	81.5	36,570*				
	70	79.8	35,660*	82.0	31,770*		
	80	78.0	34,770*	80.2	31,240*		
	90	76.2	33,950*	78.4	30,660*	80.4	27,910*
	100	74.3	33,180*	76.5	30,030*	78.6	27,220*
	110	72.5	32,410*	74.7	29,520*	76.7	26,680*
	120	70.6	31,760*	72.8	28,750*	74.8	25,820*
	130	68.8	29,030*	70.9	28,110*	72.9	24,660*
	140	66.8	25,540*	69.0	25,550*	70.9	23,510*
	150	64.9	22,540*	67.0	22,550*	69.0	22,520*
	160	62.9	19,960*	65.0	19,960*	66.9	19,970*
	170	60.9	17,690*	63.0	17,690*	64.9	17,700*
	180	58.9	15,690*	61.0	15,700*	62.8	15,710*
	190	56.8	13,920*	58.8	13,920*	60.6	13,930*
200	54.6	12,340*	56.7	12,340*	58.4	12,350*	
210	52.4	10,910*	54.4	10,920*	56.2	10,930*	
220	50.1	9,620*	52.1	9,630*	53.8	9,640*	
230	47.7	8,460*	49.7	8,460*	51.4	8,470*	
240	45.3	7,390*	47.2	7,390*	48.8	7,410*	
250	42.7	6,420*	44.6	6,430*	46.2	6,440*	
75' (22.9M) JIB & 260' (79.2M) BOOM	59	82.0	40,950*				
	60	81.8	40,880*				
	70	80.1	35,560*				
	80	78.3	34,830*	80.5	31,120*		
	90	76.6	33,980*	78.7	30,580*	80.7	27,880*
	100	74.8	33,260*	76.9	30,020*	78.9	27,410*
	110	73.0	32,490*	75.1	29,490*	77.1	26,760*
	120	71.2	31,860*	73.3	29,020*	75.3	26,220*
	130	69.4	28,520*	71.5	28,260*	73.4	24,950*
	140	67.6	25,020*	69.7	25,020*	71.5	23,910*
	150	65.7	22,030*	67.8	22,030*	69.6	22,040*
	160	63.8	19,440*	65.9	19,440*	67.7	19,450*
	170	61.9	17,170*	63.9	17,180*	65.7	17,190*
	180	59.9	15,170*	61.9	15,170*	63.7	15,180*
	190	57.9	13,390*	59.9	13,400*	61.7	13,410*
200	55.8	11,810*	57.8	11,810*	59.6	11,820*	
210	53.7	10,380*	55.7	10,390*	57.4	10,400*	
220	51.5	9,090*	53.5	9,100*	55.2	9,110*	
230	49.3	7,920*	51.2	7,930*	52.9	7,940*	
240	47.0	6,860*	48.9	6,860*	50.5	6,870*	
250	44.6	5,890*	46.4	5,900*	48.0	5,910*	
260	42.0	5,000*	43.9	5,000*	45.3	5,010*	
75' (22.9M) JIB & 270' (82.3M) BOOM	61	81.9	40,500*				
	70	80.4	35,600*				
	80	78.7	34,750*	80.7	31,080*		
	90	77.0	34,000*	79.0	30,600*	81.0	27,750*
	100	75.3	33,230*	77.3	30,120*	79.3	27,390*
	110	73.5	32,600*	75.6	29,510*	77.5	26,940*
	120	71.8	31,970*	73.8	29,110*	75.7	26,410*
	130	70.0	27,990*	72.1	28,000*	73.9	25,340*
	140	68.3	24,500*	70.3	24,510*	72.1	24,200*
	150	66.5	21,500*	68.5	21,510*	70.3	21,520*
	160	64.6	18,910*	66.6	18,920*	68.4	18,930*
	170	62.8	16,650*	64.7	16,650*	66.5	16,660*
	180	60.9	14,640*	62.8	14,640*	64.6	14,650*
	190	58.9	12,860*	60.9	12,870*	62.6	12,880*
	200	57.0	11,280*	58.9	11,280*	60.6	11,290*
210	54.9	9,850*	56.9	9,850*	58.5	9,860*	
220	52.9	8,560*	54.8	8,570*	56.4	8,580*	
230	50.7	7,390*	52.6	7,400*	54.2	7,410*	
240	48.5	6,320*	50.4	6,330*	52.0	6,340*	
250	46.2	5,350*	48.1	5,350*	49.6	5,360*	
260	43.9	4,450*	45.7	4,460*	47.1	4,470*	
270	41.4	3,630*	43.2	3,630*	44.5	3,650*	
85' (25.9M) JIB & 220' (67.1M) BOOM	56	81.9	29,950*				
	60	81.1	29,570*				
	70	79.2	28,600*	81.9	25,320*		
	80	77.3	27,700*	80.0	24,430*		
	90	75.4	26,890*	78.0	23,680*	80.6	21,040*
	100	73.4	26,170*	76.1	22,920*	78.6	20,540*
	110	71.5	25,200*	74.1	22,190*	76.5	20,040*
	120	69.5	24,270*	72.1	21,590*	74.5	19,530*
	130	67.4	23,540*	70.0	20,990*	72.4	19,080*
	140	65.4	22,740*	68.0	20,490*	70.3	18,700*

Boom and Jib Length	Jib Radius (Feet)	5.0 Deg Offset		15.0 Deg Offset		25.0 Deg Offset	
		Boom Angle	Ratings (Pounds)	Boom Angle	Ratings (Pounds)	Boom Angle	Ratings (Pounds)
220' BOOM (cont'd)	150	63.3	22,040*	65.9	19,900*	68.2	18,310*
	160	61.1	21,380*	63.7	19,480*	66.0	17,860*
	170	59.0	19,280*	61.5	19,040*	63.7	17,160*
	180	56.7	17,290*	59.2	17,300*	61.4	16,500*
	190	54.4	15,520*	56.9	15,520*	59.1	15,530*
	200	52.0	13,940*	54.5	13,940*	56.6	13,950*
	210	49.6	12,520*	52.0	12,520*	54.1	12,530*
	220	47.0	11,230*	49.4	11,230*	51.4	11,250*
85' (25.9M) JIB & 230' (70.1M) BOOM	57	82.0	29,730*				
	60	81.4	29,540*				
	70	79.6	28,640*				
	80	77.7	27,810*	80.3	24,580*		
	90	75.9	27,040*	78.4	23,770*	80.9	21,170*
	100	74.0	26,220*	76.5	23,050*	78.9	20,560*
	110	72.1	25,490*	74.6	22,350*	77.0	20,100*
	120	70.2	24,550*	72.7	21,750*	75.0	19,670*
	130	68.2	23,740*	70.7	21,140*	73.0	19,240*
	140	66.2	22,990*	68.7	20,640*	71.0	18,830*
	150	64.2	22,290*	66.7	20,130*	69.0	18,450*
	160	62.2	21,190*	64.6	19,620*	66.9	18,070*
170	60.1	18,940*	62.5	18,940*	64.7	17,530*	
180	57.9	16,940*	60.4	16,950*	62.5	16,860*	
190	55.7	15,170*	58.1	15,170*	60.3	15,180*	
200	53.5	13,590*	55.9	13,590*	57.9	13,600*	
210	51.1	12,160*	53.5	12,170*	55.5	12,180*	
220	48.7	10,890*	51.1	10,890*	53.0	10,900*	
230	46.2	9,720*	48.5	9,720*	50.4	9,740*	
85' (25.9M) JIB & 240' (73.2M) BOOM	59	81.9	29,690*				
	60	81.7	29,570*				
	70	79.9	28,760*				
	80	78.1	27,870*	80.6	24,670*		
	90	76.3	27,090*	78.8	23,930*	81.2	21,170*
	100	74.5	26,380*	77.0	23,190*	79.3	20,690*
	110	72.6	25,690*	75.1	22,570*	77.4	20,160*
	120	70.8	24,850*	73.2	21,900*	75.5	19,730*
	130	68.9	24,010*	71.3	21,300*	73.6	19,290*
	140	67.0	23,300*	69.4	20,780*	71.7	18,880*
	150	65.1	22,600*	67.5	20,270*	69.7	18,580*
	160	63.1	20,690*	65.5	19,840*	67.7	18,200*
	170	61.1	18,420*	63.5	18,420*	65.6	17,820*
	180	59.0	16,420*	61.4	16,430*	63.5	16,440*
	190	56.9	14,650*	59.3	14,650*	61.4	14,670*
200	54.8	13,070*	57.1	13,070*	59.1	13,080*	
210	52.6	11,640*	54.9	11,650*	56.9	11,660*	
220	50.3	10,360*	52.6	10,370*	54.5	10,380*	
230	47.9	9,200*	50.2	9,200*	52.1	9,210*	
240	45.4	8,130*	47.7	8,130*	49.5	8,150*	
85' (25.9M) JIB & 250' (76.2M) BOOM	60	81.9	29,610*				
	70	80.2	28,870*				
	80	78.5	28,010*	80.9	24,860*		
	90	76.7	27,270*	79.1	24,060*	81.4	21,250*
	100	75.0	26,540*	77.4	23,360*	79.6	20,710*
	110	73.2	25,880*	75.6	22,640*	77.8	20,300*
	120	71.4	25,130*	73.8	22,030*	76.0	19,780*
	130	69.6	24,310*	71.9	21,520*	74.1	19,380*
	140	67.7	23,500*	70.1	20,930*	72.3	19,010*
	150	65.9	22,730*	68.2	20,420*	70.3	18,630*
	160	64.0	20,140*	66.3	20,000*	68.4	18,330*
	170	62.0	17,870*	64.3	17,880*	66.4	17,890*
	180	60.1	15,880*	62.4	15,880*	64.4	15,890*
	190	58.0	14,100*	60.3	14,110*	62.4	14,120*
	200	56.0	12,520*	58.3	12,520*	60.2	12,530*
210	53.9	11,090*	56.1	11,100*	58.1	11,110*	
220	51.7	9,810*	53.9	9,820*	55.8	9,830*	
230	49.5	8,640*	51.7	8,650*	53.5	8,660*	
240	47.1	7,580*	49.3	7,580*	51.1	7,590*	
250	44.7	6,600*	46.9	6,610*	48.6	6,620*	
85' (25.9M) JIB & 260' (79.2M) BOOM	62	81.8	29,520*				
	70	80.5	28,860*				
	80	78.8	28,160*	81.2	24,880*		
	90	77.1	27,400*	79.5	24,200*	81.7	21,320*
	100	75.4	26,610*	77.7	23,440*	80.0	20,790*
	110						



**LIFT RATINGS IN POUNDS (continued)**

**With 92HI Offset Tip Boom and 172,000 Pound Upper Counterweight, #30 Jib**

Boom and Jib Length	Jib Radius (Feet)	5.0 Deg Offset		15.0 Deg Offset		25.0 Deg Offset	
		Boom Angle	Ratings (Pounds)	Boom Angle	Ratings (Pounds)	Boom Angle	Ratings (Pounds)
260' BOOM (con't)	130	70.2	24,490*	72.5	21,590*	74.6	19,520*
	140	68.4	23,770*	70.7	21,080*	72.8	19,090*
	150	66.6	22,210	68.9	20,570*	71.0	18,760*
	160	64.8	19,620	67.0	19,630	69.1	18,380*
	170	62.9	17,360	65.2	17,360	67.2	17,370
	180	61.0	15,360	63.3	15,360	65.3	15,370
	190	59.1	13,580	61.3	13,590	63.3	13,600
	200	57.1	12,000	59.3	12,000	61.3	12,020
	210	55.1	10,570	57.3	10,570	59.2	10,580
	220	53.0	9,280	55.2	9,290	57.1	9,300
	230	50.9	8,110	53.0	8,120	54.9	8,130
	240	48.7	7,040	50.8	7,050	52.6	7,060
	250	46.4	6,070	48.5	6,070	50.2	6,080
	260	44.0	5,180	46.1	5,190	47.8	5,200
85' (25.9M) JIB & 270' (82.3M) BOOM	63	81.9	29,470*				
	70	80.8	28,890*				
	80	79.1	28,100*	81.4	24,780*		
	90	77.5	27,400*	79.8	24,230*	81.9	21,340*
	100	75.8	26,690*	78.1	23,620*	80.2	20,850*
	110	74.2	26,050*	76.4	22,910*	78.5	20,430*
	120	72.5	25,500*	74.7	22,350*	76.8	20,010*
	130	70.8	24,780*	73.0	21,750*	75.1	19,580*
	140	69.0	24,060*	71.3	21,230*	73.3	19,150*
	150	67.3	21,690	69.5	20,720*	71.6	18,810*
	160	65.5	19,100	67.7	19,100	69.8	18,510*
	170	63.7	16,830	65.9	16,830	67.9	16,850
	180	61.9	14,830	64.1	14,840	66.1	14,850
	190	60.0	13,060	62.2	13,060	64.2	13,070
200	58.2	11,460	60.3	11,470	62.2	11,480	
210	56.2	10,040	58.4	10,040	60.2	10,050	
220	54.2	8,740	56.4	8,750	58.2	8,760	
230	52.2	7,570	54.3	7,580	56.1	7,590	
240	50.1	6,510	52.2	6,520	53.9	6,530	
250	47.9	5,530	50.0	5,540	51.7	5,550	
260	45.7	4,640	47.7	4,640	49.4	4,660	
270	43.3	3,810	45.3	3,820	47.0	3,830	
95' (29.0M) JIB & 240' (73.2M) BOOM	61	81.9	24,720*				
	70	80.4	23,920*				
	80	78.6	23,200*	81.3	19,790*		
	90	76.9	22,440*	79.6	19,150*		
	100	75.1	21,540*	77.8	18,480*	80.4	16,260*
	110	73.3	20,730*	76.0	17,880*	78.5	15,830*
	120	71.5	19,960*	74.2	17,330*	76.7	15,450*
	130	69.7	19,250*	72.4	16,880*	74.8	15,060*
	140	67.9	18,600*	70.5	16,360*	73.0	14,690*
	150	66.0	17,990*	68.6	15,910*	71.1	14,380*
	160	64.1	17,370*	66.7	15,540*	69.1	14,120*
	170	62.2	16,850*	64.8	15,160*	67.1	13,810*
	180	60.2	16,400*	62.8	14,790*	65.1	13,540*
	190	58.2	14,760	60.8	14,420*	63.0	13,330*
200	56.1	13,180	58.7	13,180	60.9	13,120*	
210	54.0	11,750	56.5	11,760	58.8	11,770	
220	51.8	10,470	54.4	10,480	56.5	10,490	
230	49.6	9,300	52.1	9,310	54.2	9,320	
240	47.3	8,250	49.7	8,250	51.8	8,270	
95' (29.0M) JIB & 250' (76.2M) BOOM	62	82.0	24,650*				
	70	80.6	24,100*				
	80	79.0	23,360*	81.6	19,870*		
	90	77.3	22,650*	79.9	19,220*		
	100	75.6	21,740*	78.2	18,630*	80.7	16,290*
	110	73.8	20,960*	76.4	18,010*	78.9	15,860*
	120	72.1	20,190*	74.7	17,480*	77.1	15,480*
	130	70.3	19,420*	72.9	17,000*	75.3	15,100*
	140	68.5	18,810*	71.1	16,540*	73.5	14,790*
	150	66.7	18,190*	69.3	16,090*	71.7	14,480*
	160	64.9	17,590*	67.5	15,650*	69.8	14,160*
	170	63.0	17,070*	65.6	15,270*	67.9	13,900*
	180	61.2	15,990	63.7	14,890*	65.9	13,620*
	190	59.2	14,220	61.7	14,230	64.0	13,420*
200	57.2	12,640	59.7	12,640	61.9	12,660	
210	55.2	11,210	57.7	11,210	59.9	11,220	
220	53.2	9,920	55.6	9,930	57.7	9,940	
230	51.0	8,750	53.4	8,760	55.5	8,770	
240	48.8	7,690	51.2	7,700	53.2	7,710	
250	46.5	6,720	48.9	6,720	50.9	6,740	

Boom and Jib Length	Jib Radius (Feet)	5.0 Deg Offset		15.0 Deg Offset		25.0 Deg Offset	
		Boom Angle	Ratings (Pounds)	Boom Angle	Ratings (Pounds)	Boom Angle	Ratings (Pounds)
95' (29.0M) JIB & 260' (79.2M) BOOM	64	81.9	24,540*				
	70	80.9	24,100*				
	80	79.3	23,430*	81.8	19,960*		
	90	77.6	22,670*	80.2	19,300*		
	100	76.0	21,960*	78.5	18,680*	80.9	16,360*
	110	74.3	21,110*	76.8	18,140*	79.2	15,970*
	120	72.6	20,340*	75.1	17,600*	77.5	15,590*
	130	70.9	19,650*	73.4	17,070*	75.8	15,210*
	140	69.2	18,970*	71.7	16,620*	74.0	14,830*
	150	67.4	18,410*	69.9	16,200*	72.2	14,570*
	160	65.7	17,800*	68.1	15,750*	70.4	14,250*
	170	63.9	17,260*	66.3	15,370*	68.6	13,960*
	180	62.0	15,470	64.5	15,050*	66.7	13,710*
	190	60.2	13,700	62.6	13,700	64.8	13,500*
200	58.3	12,110	60.7	12,120	62.9	12,130	
210	56.4	10,690	58.8	10,690	60.9	10,700	
220	54.4	9,390	56.8	9,400	58.8	9,410	
230	52.3	8,220	54.7	8,230	56.7	8,240	
240	50.2	7,160	52.6	7,170	54.6	7,180	
250	48.1	6,180	50.4	6,190	52.3	6,200	
260	45.8	5,290	48.1	5,290	50.0	5,310	
95' (29.0M) JIB & 270' (82.3M) BOOM	65	82.0	24,540*				
	70	81.2	24,190*				
	80	79.6	23,490*				
	90	78.0	22,780*	80.5	19,370*		
	100	76.4	22,120*	78.8	18,820*	81.2	16,400*
	110	74.7	21,260*	77.2	18,200*	79.5	16,020*
	120	73.1	20,570*	75.6	17,730*	77.9	15,630*
	130	71.4	19,890*	73.9	17,200*	76.2	15,250*
	140	69.8	19,190*	72.2	16,740*	74.5	14,930*
	150	68.1	18,620*	70.5	16,290*	72.8	14,610*
	160	66.4	18,000*	68.8	15,910*	71.0	14,310*
	170	64.6	16,940	67.0	15,540*	69.2	14,060*
	180	62.9	14,950	65.3	14,950	67.4	13,800*
	190	61.1	13,170	63.5	13,170	65.6	13,190
200	59.3	11,580	61.6	11,590	63.7	11,600	
210	57.4	10,160	59.8	10,160	61.8	10,180	
220	55.5	8,860	57.8	8,870	59.9	8,880	
230	53.5	7,690	55.9	7,700	57.9	7,710	
240	51.5	6,630	53.8	6,640	55.8	6,650	
250	49.5	5,650	51.8	5,660	53.7	5,670	
260	47.3	4,750	49.6	4,760	51.5	4,770	
270	45.1	3,930	47.4	3,930	49.2	3,950	

## MAXIMUM BOOM & JIB SELF-ERECTION DATA

	BOOM LENGTH (Feet)	JIB LENGTH		
		16HL JIB (Feet)	#30 JIB (Feet)	#40 JIB (Feet)
BLOCKED OVER THE END	300	50	0	0
	290	100	0	45
	280	—	65	75
	270	—	95	105
OVER THE SIDE	280	0	0	0
	270	70	0	0
	260	100	35	45
	250	—	65	75
	240	—	95	105

## LOAD HOISTING INFORMATION

1-1/8" Diameter EEIPS Wire Rope			
MAXIMUM LIFTING CAPACITY (lbs.)	MINIMUM PARTS OF LINE	MAXIMUM HOISTING DISTANCE (Feet)	
		MAIN HOIST	AUXILIARY HOIST
550,000	14	90	90
490,280	12	105	105
449,420	11	110	110
408,570	10	130	130
367,710	9	145	145
326,850	8	160	160
286,000	7	185	185
245,140	6	215	215
204,280	5	260	260
163,420	4	325	325
122,570	3	435	435
81,710	2	655	655
40,850	1	1,310	1,310

Lifting any load with 14 parts of main fall load line requires the use of the single sheave crossover hanger block. Refer to the HC275 Operator's Manual for detailed information.

## 16HL JIB LOAD HOISTING INFORMATION

1-1/8" Diameter EEIPS Wire Rope			
MAXIMUM LIFTING CAPACITY (lbs.)	MINIMUM PARTS OF LINE	MAXIMUM HOISTING DISTANCE (Feet)	
		MAIN HOIST	AUXILIARY HOIST
32,000	1	1,310	1,310

## #30 JIB LOAD HOISTING INFORMATION

1-1/8" Diameter EEIPS Wire Rope			
MAXIMUM LIFTING CAPACITY (lbs.)	MINIMUM PARTS OF LINE	MAXIMUM HOISTING DISTANCE (Feet)	
		MAIN HOIST	AUXILIARY HOIST
60,000	2	655	655
40,850	1	1,310	1,310

## SPECIFICATIONS

Swing Speed .....	1.70 RPM
Travel Speed .....	.55 MPH High Range
.....	.37 MPH Low Range
Gradeability .....	30% (approximately 17°)

## BOOM COMPOSITION CHART

Boom Length (Feet)	Boom Sections					
	25' 92HI Inner	15' 92HT Center	20' 92HT Center	10' 92ST Center	50' 92ST Center	40' 92H Outer
65	1	0	0	0	0	1
80	1	1	0	0	0	1
90	1	1	0	1	0	1
100	1	1	1	0	0	1
110	1	1	1	1	0	1
120	1	1	1	2	0	1
130	1	1	0	0	1	1
140	1	1	0	1	1	1
150	1	1	1	0	1	1
160	1	1	1	1	1	1
170	1	1	1	2	1	1
180	1	1	0	0	2	1
190	1	1	0	1	2	1
200	1	1	1	0	2	1
210	1	1	1	1	2	1
220	1	1	1	2	2	1
230	1	1	0	0	3	1
240	1	1	0	1	3	1
250	1	1	1	0	3	1
260	1	1	1	1	3	1
270	1	1	1	2	3	1
280	1	1	0	0	4	1
290	1	1	0	1	4	1
300	1	1	1	0	4	1

## 16HL JIB COMPOSITION CHART

Jib Length (Feet)	20' Inner	10' Center	20' Center	20' Outer
40	1	0	0	1
50	1	1	0	1
60	1	0	1	1
70	1	1	1	1
80	1	0	2	1
90	1	1	2	1
100	1	0	3	1

## #30 JIB COMPOSITION CHART

Jib Length (Feet)	12.5' Inner	10' Center	30' Center	12.5' Outer
35	1	1	0	1
45	1	2	0	1
55	1	0	1	1
65	1	1	1	1
75	1	2	1	1
85	1	0	2	1
95	1	1	2	1

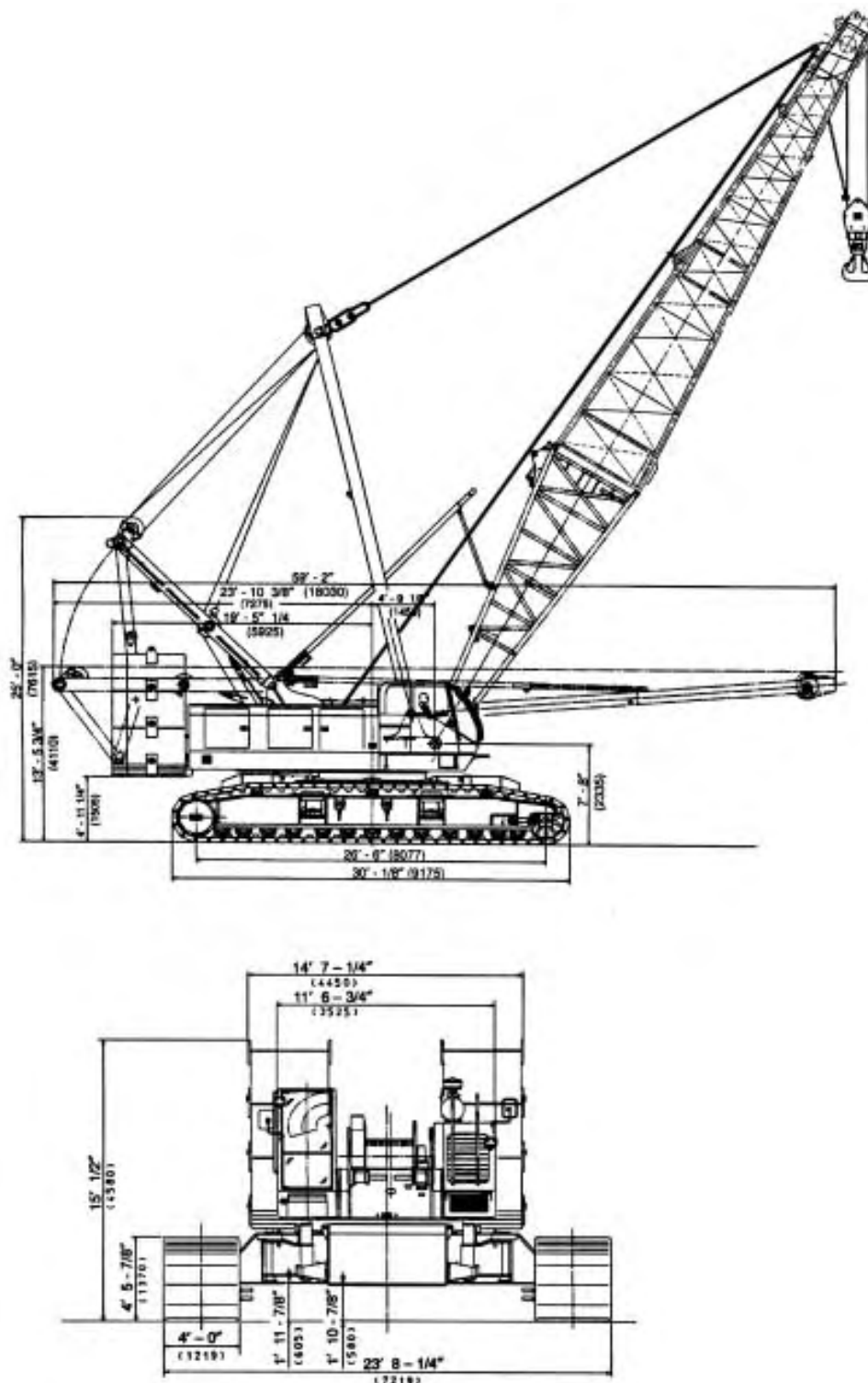
## HOIST DRUM PERFORMANCE

Rope Layer	MAIN and AUXILIARY HOIST – 1-1/8" Diameter Rope				
	High Range		Low Range		Total Rope Length
	Line Speed (Feet per Minute)	Single Line Pull	Line Speed (Feet per Minute)	Single Line Pull	
1st*	360	27,030	180	54,055	155
2nd*	390	24,910	195	49,845	314
3rd*	420	23,105	210	46,230	496
4th*	450	21,560	225	43,100	680
5th*	480	20,195	240	40,390	885
6th*	510	18,980	255	37,985	1,095
7th*	540	17,925	270	35,845	1,325
8th**	570	—	285	—	1,560
9th**	600	—	300	—	1,815

\* = Working Layers • \*\* = Storage Layers



## HC 275 GENERAL DIMENSIONS



 **WARNING**

**This rating chart is invalid if the crane has been modified or altered by use of other than GENUINE AMERICAN PARTS as such modifications or alterations may affect its capacity or safe operation. See American Crane Corporation Service Bulletin #259.**

**The ratings in this chart are for planning purposes only. Only those ratings specifically assigned to a crane and mounted in the operator's cab or in the Operator's Manual should be used for actual operation.**

Ratings in this chart are in POUNDS and do not exceed the percentage of tipping specified for this crane by ANSI B30.5. All ratings require that the crane be standing level on a firm uniformly supporting surface.

Do not lift loads in excess of those shown on this chart. Lifting loads in excess of those shown or operation not in accordance with good operating practice, including limitations shown on page 3499 of Operator's Manual, can cause tipping, structural damage or catastrophic failure.

Asterisk (\*) areas on this chart indicate ratings which are limited by strength of material or factors other than stability (tipping).

"RADIUS IN FEET" is the horizontal distance at ground level from the crane centerline of rotation to a vertical line through the center of gravity of the suspended load.

When using the main boom fall with jib in place, the main fall ratings must be reduced by the jib effective weight shown on the jib rating chart plus twice the weight of all suspended blocks, slings, rope, etc., at the jib fall.

Blocks, slings, buckets and other load carrying devices are considered part of the load. The weight of standard hoisting ropes for the rating at a given radius has been calculated as part of the boom point load and need not be considered in determining net allowable loads.

Ratings shown on this chart make no allowance for such factors as out of plumb loads, wind, poor soil conditions and dynamic effects due to excessive operating speeds. The user (operator) must exercise judgement to make allowance for these conditions. See page 3499 of Operator's Manual for detailed information.

No account is taken of the wind force on the load. This effect, which can be substantial for loads with large surface areas, must be considered by the user. In any wind it is strongly recommended that taglines be used to control the load.

Combinations of boom or boom and jib with a total length exceeding 350 ft (107M) can be operated at full rated capacity only in wind speeds of 15 mph (24 km/h) or less. If lifts are to be performed in winds between 15 mph (24 km/h) and 25 mph (40 km/h), ratings must be reduced 10%. No operation of the above combinations should be attempted in wind speeds over 40 km/h (25 MPH). The above limitations do not take into account loads with excessive surface area which are not restrained by tag lines.

BOOM HOIST LINE is 18 parts of 7/8 inch diameter 6 x 26, WS, FW, RAL, IWRC, EIPS wire rope with a minimum breaking strength of 79,600 pounds.

BOOM PENDANT SUSPENSION is 4 parts of 1-3/8 inch diameter EEIPS wire rope with a minimum breaking strength of 211,000 pounds.

JIB BACKSTAY LINE is 7/8 inch diameter wire rope with a minimum breaking strength of 69,200 pounds.

JIB FRONTSTAY PENDANT SUSPENSION is 2 parts of 7/8 inch diameter wire rope with a minimum breaking strength of 69,200 pounds.

MAIN LOAD LINE is 1-1/8 inch diameter 6x25, FW, RRL, IWRC, EEIPS wire rope with a minimum breaking strength of 143,000 pounds.

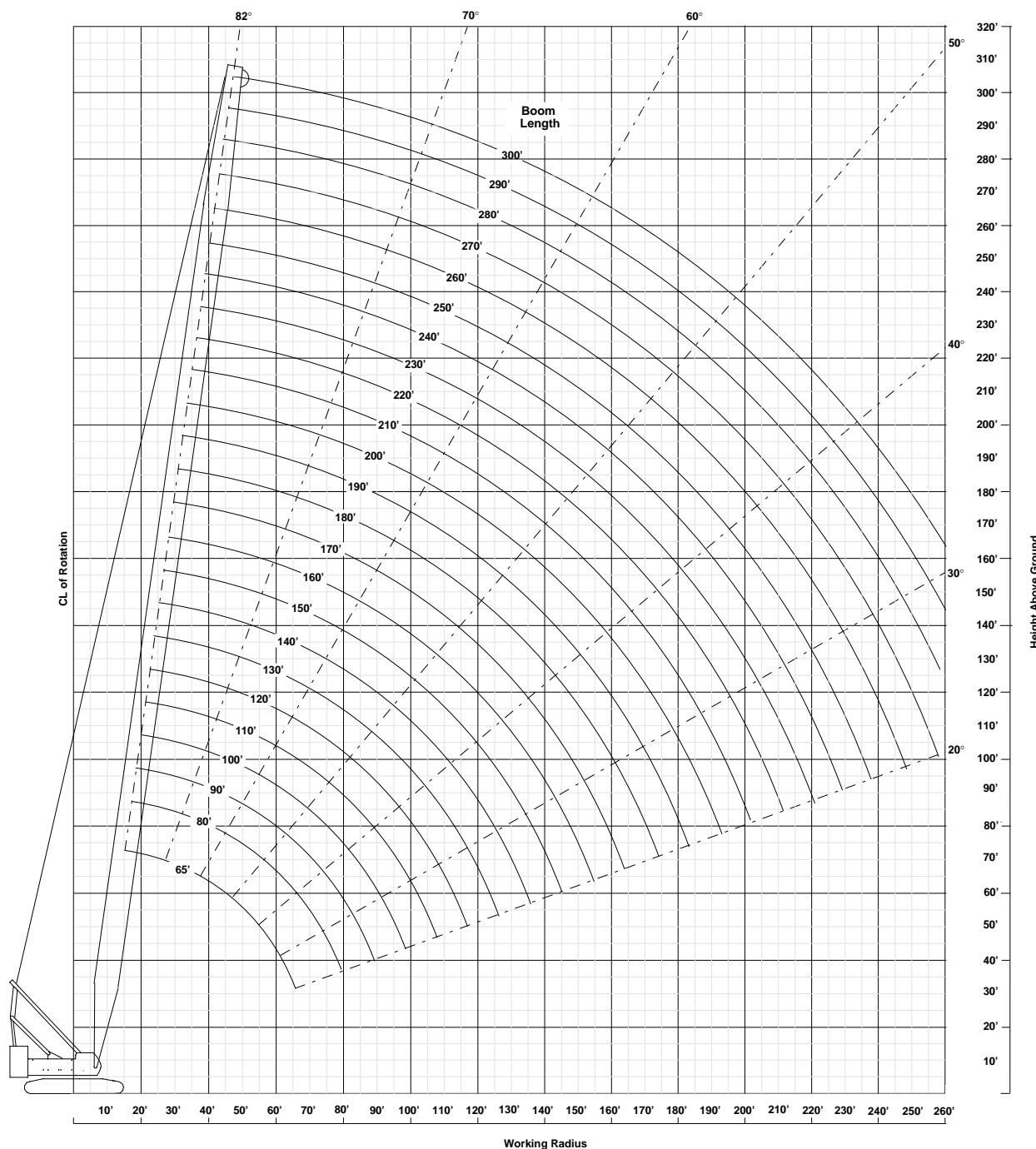
WHIPLINE is 1-1/8 inch diameter 6 x 25, FW, RRL, IWRC, EEIPS wire rope with a minimum breaking strength of 143,000 pounds.

### ERECTION

Erection "BLOCKED OVER THE END" is with the boom over the idler end with idler tumblers blocked (See operator's manual for blocking instructions). Erection "OVER THE SIDE" is with the boom 90° to the side frames. Blocks, slings and other load carrying devices must be on the ground during erection.



# AMERICAN MODEL HC 275 WORKING RANGES WITH 92HI BOOM



For more information, product demonstration, or details on sales, lease and rental plans, please contact your local Terex American Crane Distributor.

We reserve the right to amend these specifications at any time without notice. The only warranty applicable is our standard written warranty applicable to the particular product and sale. We make no other warranty, expressed or implied.

## Bigge Crane and Rigging Co.

10700 Bigge Avenue  
 San Leandro, CA 94577  
 Phone: (888) 337-BIGGE or (510) 638-8100  
 Fax: (510) 639-4053  
 Email: info@bigge.com  
 Web site: www.bigge.com

## **TEREX CRANES**

**AMERICAN CRANE CORPORATION**  
 202 Raleigh Street  
 Wilmington, NC 28412 USA  
 (910) 395-8500 • FAX: (910) 395-8538  
 E-mail: american@american-crane.com

[www.terexlift.com](http://www.terexlift.com)

