

# ALIMAK

## SCANDO FC 28/37 TD

### Technical Data

#### CAPACITY

Pay-load capacity	6200 lbs.
Erection load	6200 lbs.
Speed	0 – 157 fpm.
Max. lifting height	500 ft.
<b>Increased lifting height on request</b>	
Erection crane capacity	550 lbs.
Safety device	type GFD

#### CAGE DIMENSIONS

Internal width x length	4'- 11" x 12'- 1 3/4"
Internal min. height	7'- 0 3/4"
Door opening A & B, w x h	4'- 10 3/4" x 6'- 6 3/4"
Door opening C, w x h	10'- 6" x 6'- 6 3/4"

**Note!** Optional C-door on cage and base enclosure is shown.

#### ELECTRICAL DATA

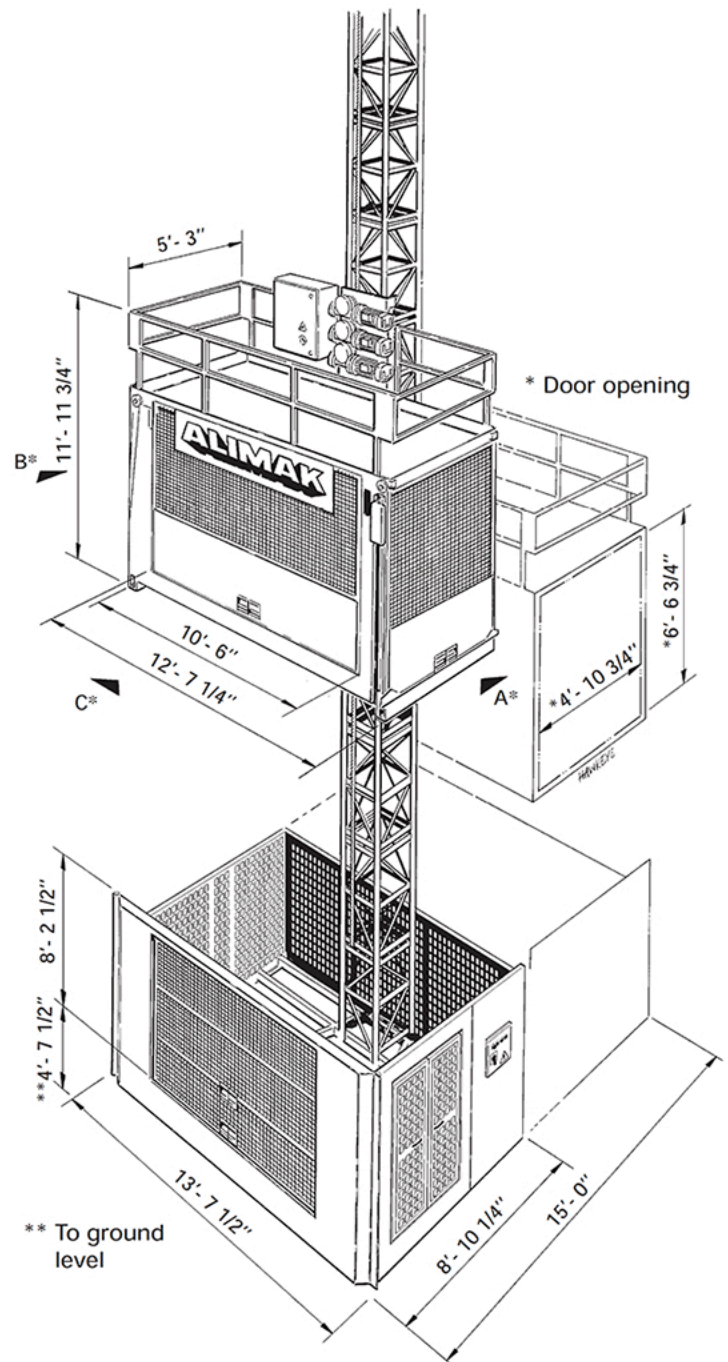
Power supply range	440 – 460 V, 60 Hz, 3-Phase
At 440 V/60 Hz;	
Rated power cont. duty	3 x 12.6 kW
Power supply fuses	125 A
Starting current	170 A
Power consumption	87 kVA

#### WEIGHTS

Base unit weight	7720 lbs.
Mast section with one rack	286 lbs.
Mast section with two racks	342 lbs.
Mast section length	4'- 11 3/8"

#### TRANSPORT DIMENSIONS

Base unit incl. enclosure;	
Length	13'- 7 1/2"
Width (single cage)	8'- 10 1/4"
Lowest transport height (Machinery excluded)	10'- 10 1/4"



Alimak AB, P O Box 720, Skellefteå, Sweden. Tel: +46 910 87000. Fax: +46 910 56690

Pictures are illustrative only and do not necessarily show the configuration of products on the market at the given point in time. Products must be used in conformity with safe practice and applicable statutes, regulations, codes and ordinances. Specifications of products and equipment shown herein are subject to change without notice.

Printed in Sweden