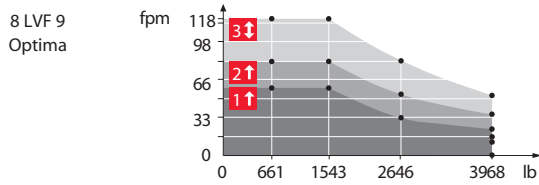


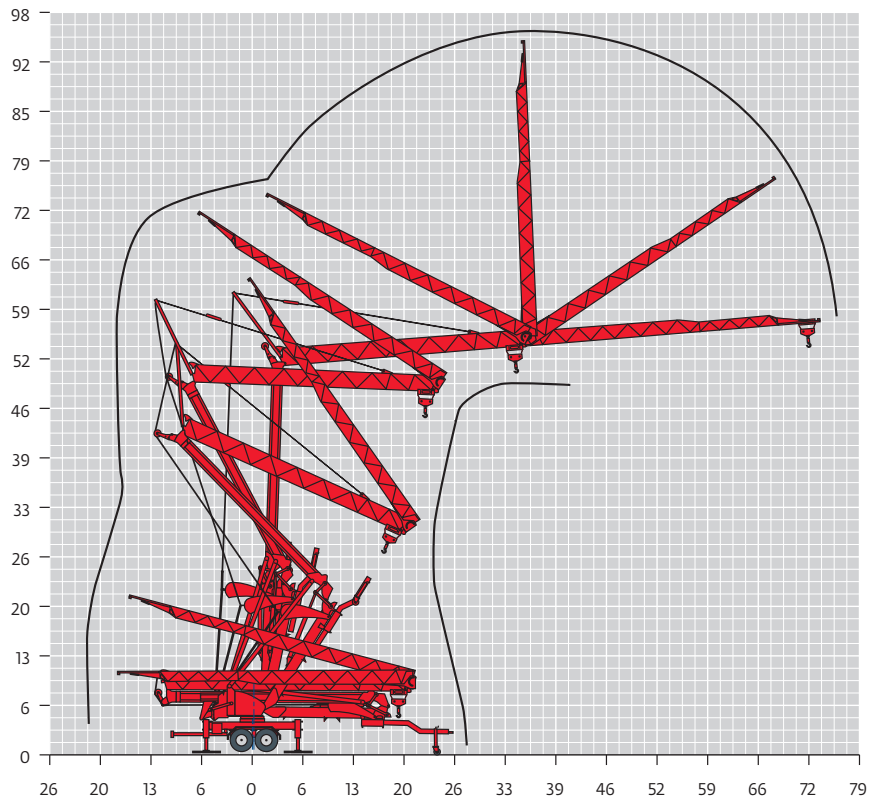
Mechanisms

									hp	kW	
	8 LVF 9 Optima	220 V 21 A 1	fpm	↑ 12	↓ 12	↑ 23	↓ 53	↑ 60	↓ 119	3.3	2.4
			lb	3968		3968		1543			
		220 V 34 A 2	fpm	↑ 12	↓ 12	↑ 37	↓ 52	↑ 83	↓ 119	5.2	3.8
			lb	3968		3968		1543			
		480 V 3	fpm	↓ 12		↓ 53		↓ 119		7.5	5.5
			lb	3968		3968		1543			
	1 DVF 4	-	fpm	46 - 92						1.5	1.1
	RVF 20	-	rpm	0 → 1						1.5	1.1
							kW				
			220 V(+6% -10%) 60 Hz 480 V(+6% -10%) 60 Hz				220 V 21 A: 2.4 kW 220 V 34 A: 3.8 kW 480 V: 14 kW				

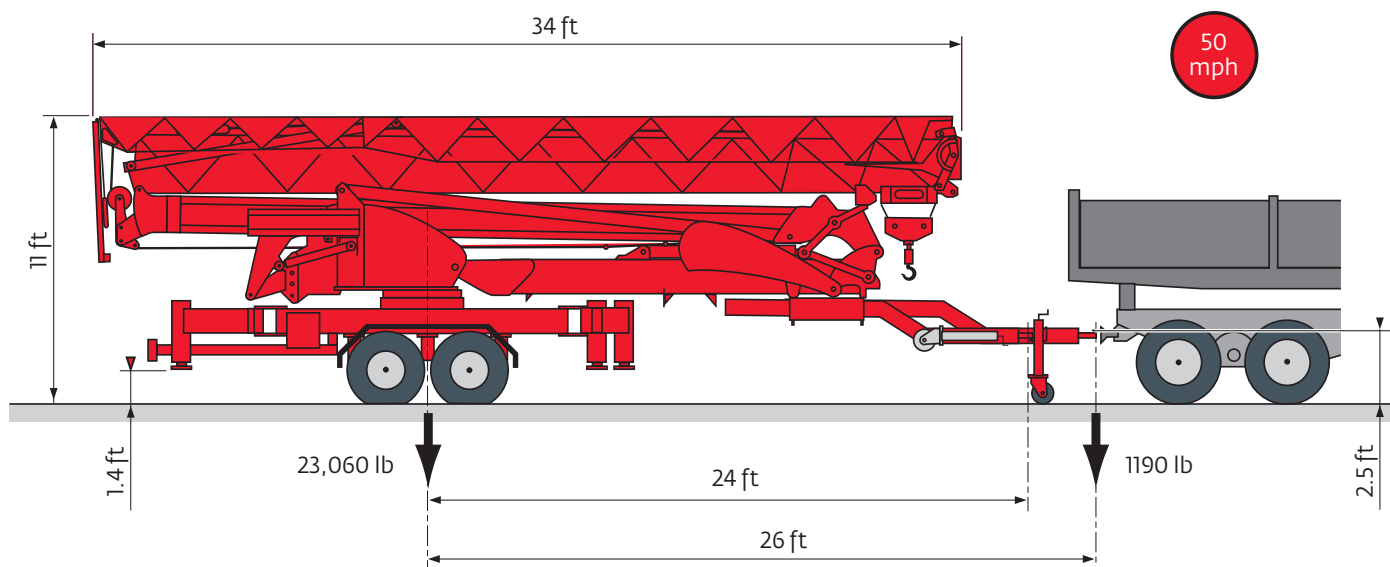


Crane profile

	Hoisting
	Trolleying
	Slewing
	60 Hz Single phase



Transport



Constant improvement and engineering progress make it necessary that we reserve the right to make specification, equipment and price changes without notice. Illustrations shown may include optional equipment and accessories, and may not include all standard equipment.

Regional Headquarters

Americas

Manitowoc, Wisconsin, USA
 Tel: +1 920 684 6621
 Fax: +1 920 683 6277

Shady Grove, Pennsylvania, USA
 Tel: +1 717 597 8121
 Fax: +1 717 597 4062

Europe, Middle East, Africa

Ecully, France
 Tel: +33 472 18 2020
 Fax: +33 472 18 2000

Asia - Pacific

Shanghai, China
 Tel: +86 21 6457 0066
 Fax: +86 21 6457 4955



www.manitowoc.com

Potain Igo MA13
 Code 04-020-2M-1209

