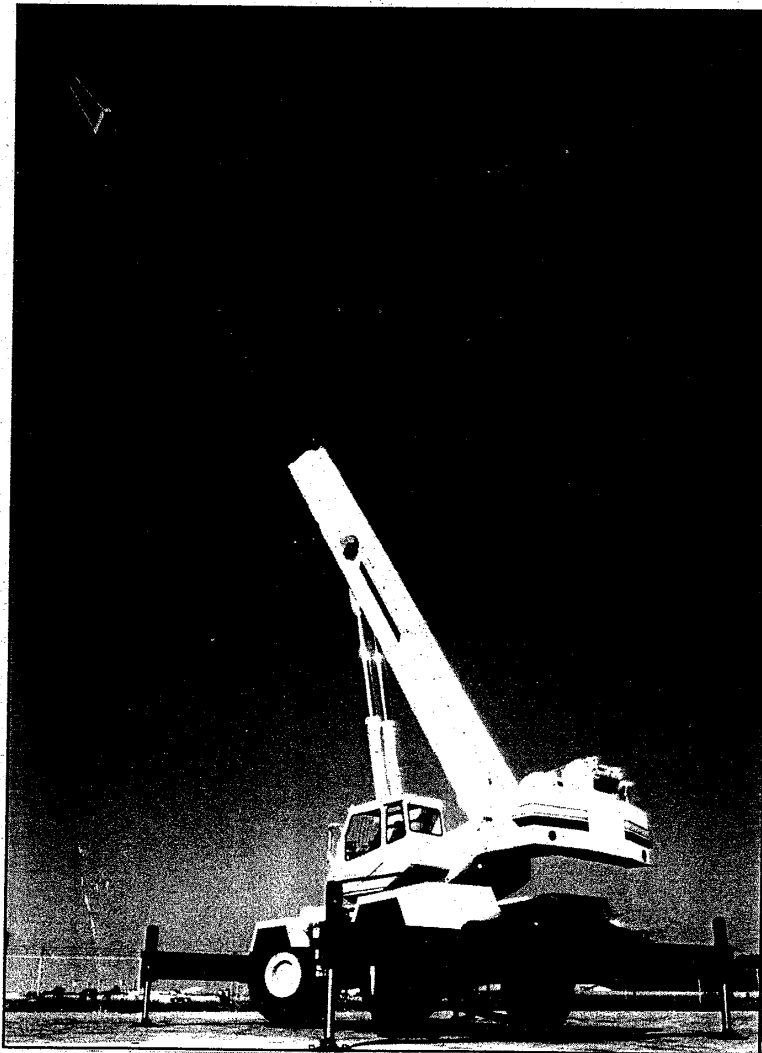


LIFTING DATA
85% USA

RT 175

75 Ton (68 tonne) Capacity
Century Series Rough Terrain Crane

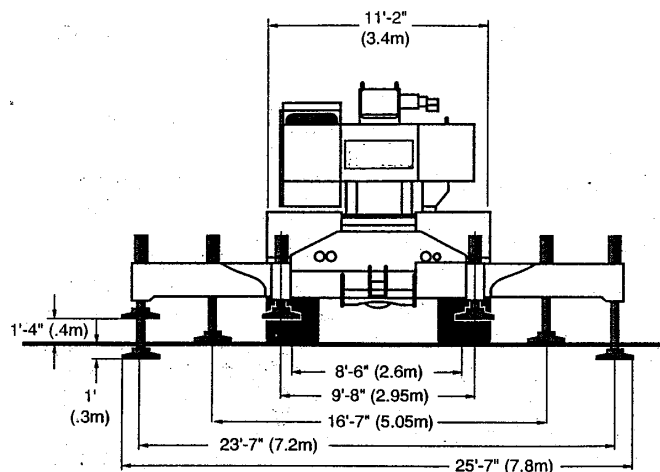


 **TEREX CRANES, INC.**



RT 175 FEATURES

- **126 ft. (38.4 m) Full Power Boom:** Welded inside and out with no derate for duty cycle work.
- **Lattice Extensions:** Swingaway with telescoping jigger for a maximum tip height of 193 ft. (58.8 m).
- **Three Position Outrigger Rating:**
- **Strong Winches:** Bent axis motors give you smooth operation and a maximum line pull of 22,410 lbs. (10,165 kg).
- **Four Steering Modes:** Front-wheel, 4-wheel coordinated crab or crab independent & rear, all controlled by the steering wheel.
- **Pride Plus Warranty:** The most comprehensive warranty in the business. Covers the entire crane for 12 months or 2,000 hours of operation. Plus, major weldment structures are covered for 5 years or 10,000 hours.



This crane meets the requirements of ASME B30.5. The machine structure has been tested per SAE J1063. The machine stability has been tested per SAE J765.

BOOM

40 ft. to 126 ft. (12.2 m to 38.4 m), full power, four-section telescopic boom. Boom point has five non-metallic main sheaves and two non-metallic idler sheaves. Metallic sheaves are available. A mechanical boom angle indicator is provided.

Boom Telescope:

One single stage double acting cylinder and chain crowd mechanism. Mechanically synchronized boom.

Boom Hoist:

Two double-acting cylinders provide elevation from -2 degrees to 78 degrees.

BOOM OPTIONS

Lattice Extension:

Telescopic Lattice Extension:

Swingaway, 38 ft. to 60 ft. (12.2 m to 18.3 m), self-storing on the base section of main boom.

Offset Mechanism:

Pivoting links which allow lattice extensions to offset 17 or 30 degrees from the main boom.

Auxiliary Boom Point:

Mounted at boom point with single sheave.

COUNTERWEIGHT

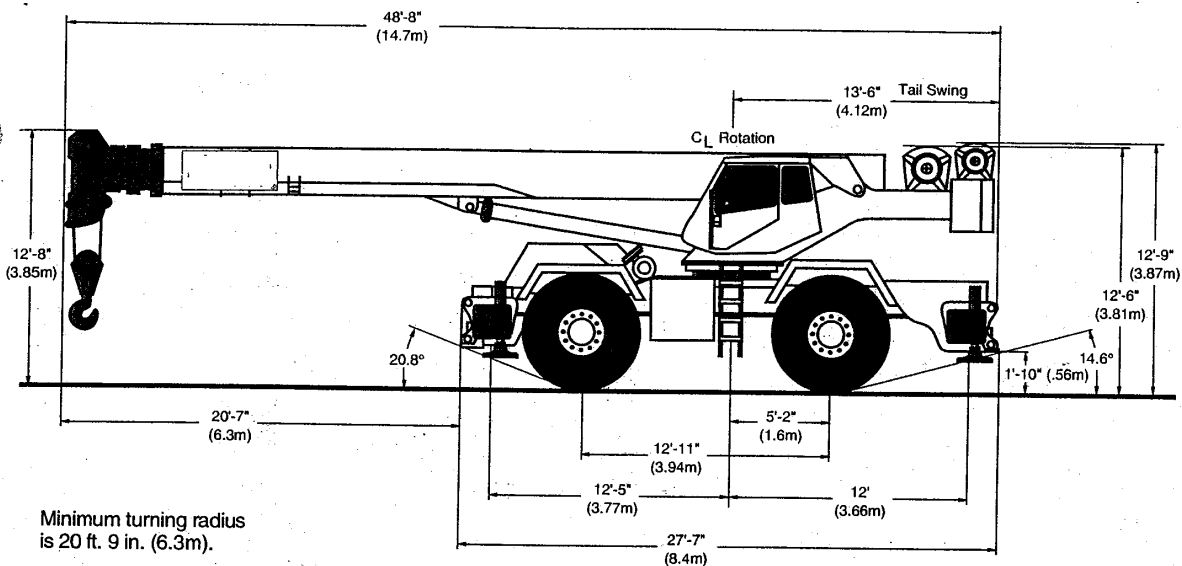
15,200 lbs. (6895 kg) bolt-on type.

CAB

All-weather environmental cab of steel has locking door and opening ceiling, side, and rear windows with tinted safety glass throughout. Operator's cloth-covered seat is fully adjustable and has shock-absorbing suspension and seat belt. Steering column tilts and telescopes for comfort. Cab is cushion-mounted for vibration dampening and noise reduction. Contains all roading and crane function controls including armrest-mounted joystick or twin lever controls for swing, auxiliary winch, main winch, and boom hoist. Foot pedals for swing brake, boom telescope, service brakes and engine throttle.

Front console includes gauges for engine water temperature, engine oil pressure, hydraulic oil temperature, transmission oil temperature, air pressure and fuel. Also includes hourmeter, speedometer, tachometer, voltmeter, winch high speed indicator, rear steer centering light, engine condition warning system, anti-two block device and electronic LMI. Additional cab equipment includes windshield wiper and washer, defroster fan, interior cab light, fire extinguisher, machine level gauge, electric horn and hand throttle.





Minimum turning radius is 20 ft. 9 in. (6.3m).

WINCH

2080:

Two-speed with bent axis piston motor, planetary gearing with equal speed power raising and lowering, and infinitely variable speed control. Has automatic multi-disc brake and drum turn indicator.

Drum Capacity:

780 ft. (238 m) of 3/4 in. (19 mm) wire rope.

Wire Rope:

550 ft. (167 m) of 3/4 in. (19 mm) diameter, 6x37 EIPS with 7x7 IWRC.

Line Pull (Max):

22,410 lbs. (10165 kg) first layer, low speed. 16,845 lbs. (7640 kg) fifth layer.

Line Pull (Max available for starting loads in mid-air):

15,000 lbs. (6802 kg) fifth layer.

Line Speed (Max):

441 fpm (134 mpm) fifth layer, high speed.

HOISTING OPTIONS

Auxiliary Winch:

1580 two-speed with bent axis piston motor, planetary gearing with equal speed power raising and lowering, and infinitely variable speed control. Has automatic multi-disc brake and drum turn indicator. Wire rope is optional.

Drum Capacity:

554 ft. (168 m) of 3/4 in. (19 mm) wire rope.

Line Pull (Max):

18,282 lbs (8291 kg) first layer, low speed. 13,223 lbs (5997 kg) fifth layer. Maximum available line for starting loads in mid-air 11,000 lbs (4991 kg) fifth layer.

Line Speed (Max):

631 fpm (192 mpm) fifth layer, high speed.

Auxiliary Winch:

Same as main winch. Wire rope is optional.

Auxiliary Winch Wire Rope:

550 ft. (168 m) of 3/4 in. (19 mm) diameter, 6x37 EIPS with 7x7 IWRC or rotation resistant 8x19 EIPS with 7x7 IWRC.

Cable Spooling Device:

For main or auxiliary winches.

Hook Blocks:

75 ton (68 tonne) with five sheaves, or 20 ton (18 tonne) with one sheave.

Headache Ball:

8.5 ton (7.7 tonne) weighted hook.

SWING UNIT

360 degree continuous rotation to 2.1 rpm with disc brake, integral with swing reducer.

House Lock:

Manually engaged 360 degree house lock.

HYDRAULIC SYSTEM

System uses two tandem gear-type pumps with a total flow of 142 gpm (536 lpm). Filtration is by two 7-micron return line filters externally mounted to the reservoir and one 20-micron pressure line filter. An oil cooler and manual disconnect are standard.

Oil Reservoir:

177 gallon (670 liter) capacity.

CARRIER

Outriggers:

Independent, out and down type with control from the cab. Outriggers may be set in three positions with full extensions to 23 ft. 7 in. (7.2m). Front to rear spread is 24 ft. 5 in. (7.4 m).

Outrigger Floats:

21 in. (533 mm) square with storage on carrier.

Front Axle:

Planetary drive/steer, rigid mounted.

Rear Axle:

Planetary drive/steer, mounted on oscillating cradle with hydraulic lockout cylinders. Oscillation is \pm 5.2 in. (132 mm). Oscillation lockout override control. Drive disconnect for two-wheel drive operation.

Service Brakes:

Dual circuit, air over hydraulic drum brakes at each wheel.

Parking Brakes:

Drum brake on rear axle input shaft.

Steering:

Hydrostatic power steering, front and rear axles. Control modes for front only, four-wheel cramp and crab steering, all controlled by the steering wheel. Switch for independent rear steer. Minimum turning radius is 20 ft. 9 in. (6.3 m).

Tires:

29.5x25-28PR tubeless with rock tread (E-3).

Tire Options:

Spare tire with rim. Tire inflation kit.

(continued on back)



ENGINE

Cummins 6CTA8.3, 4 cycle, turbo-charged and after cooled diesel with a displacement of 505 cu. in. (8.3 liters). Output is 260 HP (194 kw) @ 2,200 rpm with maximum torque of 650 ft. lbs. (1085 Nm) @ 1,500 rpm.

ENGINE OPTION

Caterpillar 3208T 4 cycle, turbo-charged diesel with a displacement of 635 cu. in. (10.4 liters). Output is 250 HP (187) @ 2,600 rpm with maximum torque of 644 ft. lbs (873 Nm) @ 1,800 rpm.

Electrical:

24 volt system with negative ground, two 8D batteries, and a 65 amp alternator.

Fuel Tank:

80 gallon (303 liter) capacity.

TRANSMISSION

Powershift with hi/lo range and torque convertor, eight speeds forward, six reverse.

Max Speed:

21 mph (34 km/h).

Max Grade:

104% @ stall.

Miscellaneous Equipment

(Standard):

Sliding engine hood, front and rear tow lugs, automatic moisture ejector, air dryer, headlights, taillights, turn signals and flashers, back-up alarm, rearview mirrors.

Miscellaneous Equipment

(Optional):

Engine starting aid, pintle hooks, floodlights, amber beacon, roof wiper, hydraulic air conditioner, and choice of propane or diesel heater.

PCSA Rating Class 10-283

Capacity charts and related lifting data can be found in a separate publication.

RT 175 WEIGHT DISTRIBUTION	POUNDS			KILOGRAMS		
	GROSS	FRONT	REAR	GROSS	FRONT	REAR
Basic Machine	98,200	50,120	48,080	44535	22725	21810
Additions for Options						
Telescoping Lattice Extension	2,640	3,460	-820	1195	1570	-375
Auxiliary Boom Point	190	600	-410	85	270	-185
Auxiliary Winch Wire Rope	547	-306	853	248	-139	387
75 Ton Hook Block (travel)	1,220	3,700	-2480	555	1680	-1125
15 Ton Headache Ball (boom)	470	1450	-980	215	660	-445

3105J113

NOTE: All designs, specifications, and components of the equipment described are subject to change at the manufacturer's sole discretion at any time and without advance notice. Capacity charts and information printed here are only a guide and may not be complete. They should not be relied upon to operate the crane. The individual load charts and related lifting data on each crane must be understood and govern operation of the crane. Data published herein is informational in nature and shall not be construed to warrant suitability of the machine for any particular purpose as performance may vary with conditions encountered. The only warranty applicable is our standard warranty for this machine.

 **TEREX CRANES, INC.**

P.O. Box 260002 Hwy. 501 East/Atlantic Center Conway, SC 29526-2602 U.S.A.
(803) 349-6900 FAX (803) 349-7090



CN165SPEC-1

405 Printed in U.S.A.



4 SECTION BOOM: LOAD RATINGS OVER 360° WITH OUTRIGGERS FULLY EXTENDED

40.5 to 95 ft. Boom

CHART #1	POWERED BOOM LENGTH IN FEET														RADIUS IN FEET
	40.5		45		55		65		75		85		95		
	Δ°	POUNDS	Δ°	POUNDS	Δ°	POUNDS	Δ°	POUNDS	Δ°	POUNDS	Δ°	POUNDS	Δ°	POUNDS	
10	68	150000	71	102000	75	95000									10
12	65	116000	68	100000	73	94700	76	80500							12
15	60	92500	64	91700	69	89000	73	73500	76	61000					15
20	52	69600	56	69500	63	69000	68	64000	72	55700	74	48200	76	40000	20
25	41	55700	48	55200	57	54600	63	54000	68	48500	71	42200	73	38300	25
30	28	46400	38	46000	51	45300	58	45000	63	44500	67	39000	70	34000	30
35			25	36000	43	35800	52	35400	59	35000	63	33400	67	30200	35
40					34	28300	46	28000	54	27800	59	27200	64	26900	40
45					23	24800	40	25200	49	23100	55	22500	60	21900	45
50							32	20700	43	21000	51	21200	56	18900	50
55							21	17200	37	17500	44	17700	52	17800	55
60									30	14700	41	14900	48	15100	60
65									20	12400	35	12600	44	12800	65
70											28	10800	39	10900	70
75											19	9200	33	9400	75
80													27	8000	80
85													18	6800	85

MINIMUM BOOM ANGLE (DEGREES) FOR INDICATED BOOM LENGTH (NO LOAD)	-2°
MAXIMUM BOOM LENGTH (FEET) AT -2° BOOM ANGLE (NO LOAD)	126

LIFTING CAPACITIES ON OUTRIGGERS - OVER 360° AT 0° BOOM ANGLE								
AREA OF OPERATION	BOOM ANGLE	MAIN BOOM LENGTH IN FEET						
		40.5	45	55	65	75	85	95
OVER 360°	0	24500	20500	15600	11700	9200	6600	4700

Stability loads Do not exceed 85%
15200 lb Total Counterweight
LMI Code #04

105 to 126 ft. Boom

CHART #2	POWERED BOOM LENGTH IN FEET						RADIUS IN FEET
	105		115		126		
	Δ°	POUNDS	Δ°	POUNDS	Δ°	POUNDS	
25	76	33500	77	32000			25
30	73	31000	75	28500	77	26000	30
35	70	28000	72	25000	74	22500	35
40	67	24900	70	22800	72	20800	40
45	64	21100	67	20300	70	18900	45
50	60	18400	64	17900	67	17100	50
55	57	17200	61	16000	65	15500	55
60	54	15200	58	15300	62	14100	60
65	50	12900	55	13100	59	13200	65
70	46	11100	51	11200	56	11300	70
75	42	9500	48	9600	53	9700	75
80	37	8100	44	8300	50	8400	80
85	32	7000	40	7100	47	7200	85
90	26	6000	36	6100	43	6200	90
95			31	5200	39	5300	95
100					35	4500	100
110					25	3100	110

MINIMUM BOOM ANGLE (DEGREES) FOR INDICATED BOOM LENGTH (NO LOAD)	-2°
MAXIMUM BOOM LENGTH (FEET) AT -2° BOOM ANGLE (NO LOAD)	126

LIFTING CAPACITIES ON OUTRIGGERS - OVER 360° AT 0° BOOM ANGLE				
AREA OF OPERATION	BOOM ANGLE	MAIN BOOM LENGTH IN FEET		
		105	115	126
OVER 360°	0	2000	0	0

Stability loads Do not exceed 85%
15200 lb Total Counterweight
LMI Code #04

This Lifting Data is for informational purposes only. Do not use to operate the crane; refer to the Operator's Manual and Crane Rating Information supplied with each crane.



4 SECTION BOOM: LOAD RATINGS OVER 360° WITH OUTRIGGERS FULLY EXTENDED

126 ft . Boom with 38 Ft. Extension

CHART #3	2° EXTENDED OFFSET STINGER RETRACTED			17° EXTENDED OFFSET STINGER RETRACTED			30° EXTENDED OFFSET STINGER RETRACTED		
	78.5 - 164 FT.		RADIUS IN FEET	78.5 - 164 FT.		RADIUS IN FEET	78.5 - 164 FT.		RADIUS IN FEET
	Δ°	POUNDS		Δ°	POUNDS		Δ°	POUNDS	
78	12600	40			40			40	
76	11600	45			45			45	
74	11000	50	77	9200	50			50	
72	10000	55	76	8900	55	78	7500	55	
71	9100	60	74	8200	60	76	7200	60	
69	8400	65	72	7700	65	74	7000	65	
67	8000	70	70	7000	70	72	6900	70	
65	7500	75	68	6800	75	70	6500	75	
63	7000	80	66	6300	80	68	6300	80	
61	6600	85	64	6000	85	66	5900	85	
59	6100	90	62	5700	90	64	5400	90	
54	4800	100	57	5000	100	59	5100	100	
49	3500	110	52	3900	110	55	4200	110	
44	2400	120	47	2700	120	48	3000	120	

MINIMUM BOOM ANGLE (DEGREES) FOR INDICATED BOOM LENGTH (NO LOAD)	-2°
MAXIMUM BOOM LENGTH (FEET) AT -2° BOOM ANGLE (NO LOAD)	75

LIFTING CAPACITIES ON OUTRIGGERS - OVER 360° AT 0° BOOM ANGLE						
AREA OF OPERATION	BOOM ANGLE	MAIN BOOM LENGTH IN FEET				
		40.5	45	55	65	75 - 126
OVER 360°	0°	4500	4500	4500	3500	0

Stability loads do not exceed 85%
15200 lb Total Counterweight
LMI Codes #11, 12, 13

126 ft . Boom with 60 Ft. Extension

CHART #4	2° EXTENDED OFFSET STINGER			17° EXTENDED OFFSET STINGER			30° EXTENDED OFFSET STINGER		
	100.5 - 186 FT.		RADIUS IN FEET	100.5 - 186 FT.		RADIUS IN FEET	100.5 - 186 FT.		RADIUS IN FEET
	Δ°	POUNDS		Δ°	POUNDS		Δ°	POUNDS	
					40			40	
					45			45	
					50			50	
					55			55	
78	8000	45			60			60	
77	7700	50	78	5500	60			60	
75	7400	55	76	5400	65			65	
74	7200	60	75	5300	70	78	4600	70	
72	6900	65	73	5200	75	76	4500	75	
71	6700	70	72	5100	80	75	4500	80	
69	6400	75	70	5000	85	73	4400	85	
67	6200	80	68	4800	90	71	4200	90	
66	6000	85	64	4300	100	67	4000	100	
64	5500	90	61	3900	110	63	3600	110	
61	5000	100	56	3500	120	59	3200	120	
57	4500	110	52	3000	130	54	3000	130	
53	3400	120							
48	2400	130							

MINIMUM BOOM ANGLE (DEGREES) FOR INDICATED BOOM LENGTH (NO LOAD)	-2°
MAXIMUM BOOM LENGTH (FEET) AT -2° BOOM ANGLE (NO LOAD)	75

LIFTING CAPACITIES ON OUTRIGGERS - OVER SIDE/REAR AT 0° BOOM ANGLE						
AREA OF OPERATION	BOOM ANGLE	MAIN BOOM LENGTH IN FEET				
		40.5	45	55	65	75 - 126
OVER 360°	0°	3000	3000	3000	3000	0

Stability loads do not exceed 85%
15200 lb Total Counterweight
LMI Codes #14, 15, 16

This Lifting Data is for informational purposes only. Do not use to operate the crane; refer to the Operator's Manual and Crane Rating Information supplied with each crane.



4 SECTION BOOM: LOAD RATINGS OVER 360° WITH OUTRIGGERS HALF EXTENDED

40.5 - 95 ft . Boom

CHART #5	POWERED BOOM LENGTH IN FEET														RADIUS IN FEET
	40.5		45		55		65		75		85		95		
	Δ°	POUNDS	Δ°	POUNDS	Δ°	POUNDS	Δ°	POUNDS	Δ°	POUNDS	Δ°	POUNDS	Δ°	POUNDS	
10	69	135000	71	102000	75	95000									10
12	65	116000	68	100000	73	94700	76	80500							12
15	61	92500	64	91700	69	89000	73	73500	76	61000					15
20	52	60000	56	60400	63	61100	68	61600	72	55700	74	48200	76	40000	20
25	41	38900	48	39300	57	39900	63	40300	67	40700	71	40900	73	38300	25
30	28	27500	38	27900	50	28500	58	28800	63	29100	67	29400	70	29600	30
35			25	20700	43	21300	52	21700	58	21900	63	22100	67	22300	35
40					34	16400	46	16700	54	17000	59	17200	63	17300	40
45					22	12800	39	13100	48	13400	55	13600	59	13700	45
50							31	10400	43	10600	50	10800	56	11000	50
55							20	8200	37	8500	46	8700	52	8800	55
60									29	6700	40	6900	48	7100	60
65									19	5300	35	5500	43	5600	65
70											28	4300	38	4400	70
75											18	3200	33	3400	75
80													26	2500	80
85													17	1700	85

MINIMUM BOOM ANGLE (DEGREES) FOR INDICATED BOOM LENGTH (NO LOAD)	-2°
MAXIMUM BOOM LENGTH (FEET) AT -2° BOOM ANGLE (NO LOAD)	85

LIFTING CAPACITIES ON OUTRIGGERS - OVER 360° AT 0° BOOM ANGLE								
AREA OF OPERATION	BOOM ANGLE	MAIN BOOM LENGTH IN FEET						
		40.5	45	55	65	75	85	95
OVER 360°	0	21200	16800	10500	6700	4200	0	0

Stability loads do not exceed 80%
15200 lb Total Counterweight
LMI Code #30

105 - 126 ft . Boom

CHART #6	POWERED BOOM LENGTH IN FEET								RADIUS IN FEET
	105		115		126				
	Δ°	POUNDS	Δ°	POUNDS	Δ°	POUNDS			
25	76	33500	77	32000				25	
30	73	29700	75	28500	77	26000		30	
35	69	22500	72	22600	74	22500		35	
40	66	17500	69	17600	72	17700		40	
45	63	13900	66	14000	69	14100		45	
50	60	11100	63	11200	66	11300		50	
55	56	9000	60	9100	64	9200		55	
60	53	7200	57	7300	61	7400		60	
65	49	5800	54	5900	58	6000		65	
70	45	4600	51	4700	55	4800		70	
75	41	3500	47	3600	52	3700		75	
80	36	2600	43	2700	49	2800		80	
85	31	1900	39	2000	46	2100		85	
90			35	1300	42	1400		90	

MINIMUM BOOM ANGLE (DEGREES) FOR INDICATED BOOM LENGTH (NO LOAD)	-2°
MAXIMUM BOOM LENGTH (FEET) AT -2° BOOM ANGLE (NO LOAD)	85

LIFTING CAPACITIES ON OUTRIGGERS - OVER 360° AT 0° BOOM ANGLE					
AREA OF OPERATION	BOOM ANGLE	MAIN BOOM LENGTH IN FEET			
		105	115	126	
OVER 360°	0	0	0	0	

Stability loads do not exceed 80%
15200 lb Total Counterweight
LMI Code #30

This Lifting Data is for informational purposes only. Do not use to operate the crane; refer to the Operator's Manual and Crane Rating Information supplied with each crane.



4 SECTION BOOM: LOAD RATINGS OVER 360° WITH OUTRIGGERS HALF EXTENDED

126 ft. Boom with 38 ft. Extension

CHART #7	2° EXTENDED OFFSET STINGER RETRACTED			17° EXTENDED OFFSET STINGER RETRACTED			30° EXTENDED OFFSET STINGER RETRACTED		
	78.5 - 164 FT.		RADIUS IN FEET	78.5 - 164 FT.		RADIUS IN FEET	78.5 - 164 FT.		RADIUS IN FEET
	Δ°	POUNDS		Δ°	POUNDS		Δ°	POUNDS	
78	12600	40			40			40	
76	11600	45			45			45	
74	11000	50	77	9200	50			50	
72	9900	55	76	8900	55	78	7500	55	
70	8000	60	74	8200	60	76	7200	60	
68	6500	65	72	7600	65	74	7000	65	
66	5300	70	70	6200	70	72	6900	70	
64	4200	75	68	5100	75	70	5800	75	
62	3300	80	66	4100	80	68	4700	80	
59	2500	85	64	3200	85	66	3800	85	
57	1800	90	62	2400	90	64	2900	90	
		100	57	1200	100	59	1600	100	

MINIMUM BOOM ANGLE (DEGREES) FOR INDICATED BOOM LENGTH (NO LOAD)	-2°
MAXIMUM BOOM LENGTH (FEET) AT -2° BOOM ANGLE (NO LOAD)	65

LIFTING CAPACITIES ON OUTRIGGERS - OVER SIDE/REAR AT 0° BOOM ANGLE					
AREA OF OPERATION	BOOM ANGLE	MAIN BOOM LENGTH IN FEET			
		40.5	45	55	65 - 126
OVER 360°	0°	4500	4500	3500	0

Stability loads do not exceed 80%
15200 lb Total Counterweight
LMI Code #37, 38, 39

126 ft. Boom with 60 ft. Extension

CHART #8	2° EXTENDED OFFSET STINGER			17° EXTENDED OFFSET STINGER			30° EXTENDED OFFSET STINGER		
	100.5 - 186 FT.		RADIUS IN FEET	100.5 - 186 FT.		RADIUS IN FEET	100.5 - 186 FT.		RADIUS IN FEET
	Δ°	POUNDS		Δ°	POUNDS		Δ°	POUNDS	
78	8000	45			45			45	
77	7700	50			50			50	
75	7400	55			55			55	
74	7200	60	78	5500	60	78	4600	60	
72	6900	65	76	5400	65	76	4500	65	
71	6400	70	75	5300	70	75	4500	70	
69	5300	75	73	5200	75	73	4400	75	
67	4400	80	72	5100	80	71	4200	80	
66	3600	85	70	4700	85	67	3200	85	
64	2900	90	68	3900	90	63	2000	90	
61	1700	100	64	2600	100			100	
		110	61	1500	110			110	

MINIMUM BOOM ANGLE (DEGREES) FOR INDICATED BOOM LENGTH (NO LOAD)	-2°
MAXIMUM BOOM LENGTH (FEET) AT -2° BOOM ANGLE (NO LOAD)	65

LIFTING CAPACITIES ON OUTRIGGERS - OVER SIDE/REAR AT 0° BOOM ANGLE					
AREA OF OPERATION	BOOM ANGLE	MAIN BOOM LENGTH IN FEET			
		40.5	45	55	126
OVER 360°	0°	3200	3000	0	

Stability loads do not exceed 80%
15200 lb Total Counterweight
LMI Codes #40, 41, 42

This Lifting Data is for informational purposes only. Do not use to operate the crane; refer to the Operator's Manual and Crane Rating Information supplied with each crane.



4 SECTION BOOM: LOAD RATINGS OVER 360° WITH OUTRIGGERS RETRACTED

40 - 95 ft. Boom

CHART #9	POWERED BOOM LENGTH IN FEET														RADIUS IN FEET
	40.5		45		55		65		75		85		95		
	△°	POUNDS	△°	POUNDS	△°	POUNDS	△°	POUNDS	△°	POUNDS	△°	POUNDS	△°	POUNDS	
10	69	103700	71	102000	75	95000									10
12	65	71900	68	72300	73	73100	76	73600							12
15	60	47600	64	48000	69	48700	73	49100	76	49400					15
20	52	28500	56	28800	63	29400	68	29800	71	30000	74	30300	76	30500	20
25	41	18800	48	19200	57	19700	63	20000	67	20300	70	20500	73	20600	25
30	28	13000	38	13300	50	13800	58	14100	63	14400	66	14600	69	14700	30
35			25	9400	43	9900	52	10200	58	10400	63	10600	66	10800	35
40					34	7100	46	7400	53	7600	59	7800	63	7900	40
45					22	4900	39	5200	48	5500	54	5700	59	5800	45
50							31	3600	43	3800	50	4000	55	4100	50
55							20	2200	37	2500	45	2700	51	2800	55
60									27	1400	40	1600	47	1700	60

MINIMUM BOOM ANGLE (DEGREES) FOR INDICATED BOOM LENGTH (NO LOAD)	-2°
MAXIMUM BOOM LENGTH (FEET) AT -2° BOOM ANGLE (NO LOAD)	65

LIFTING CAPACITIES ON OUTRIGGERS - OVER 360° AT 0° BOOM ANGLE								
AREA OF OPERATION	BOOM ANGLE	MAIN BOOM LENGTH IN FEET						
		40.5	45	55	65	75	85	95
OVER 360°	0	8900	6500	3000	0	0	0	0

Stability loads do not exceed 75%
15200 lb Total Counterweight
LMI Code #56

105 ft. - 126 ft. Boom

CHART #10	POWERED BOOM LENGTH IN FEET						RADIUS IN FEET
	105		115		126		
	△°	POUNDS	△°	POUNDS	△°	POUNDS	
25	75	20800	77	20900			25
30	72	14900	74	15000	76	15100	30
35	69	10900	71	11000	73	11100	35
40	66	8000	68	8200	71	8300	40
45	63	5900	65	6000	68	6100	45
50	59	4300	63	4400	65	4400	50
55	56	2900	60	3000	63	3100	55
60	53	1800	56	1800	60	2000	60

MINIMUM BOOM ANGLE (DEGREES) FOR INDICATED BOOM LENGTH (NO LOAD)	-2°
MAXIMUM BOOM LENGTH (FEET) AT -2° BOOM ANGLE (NO LOAD)	65

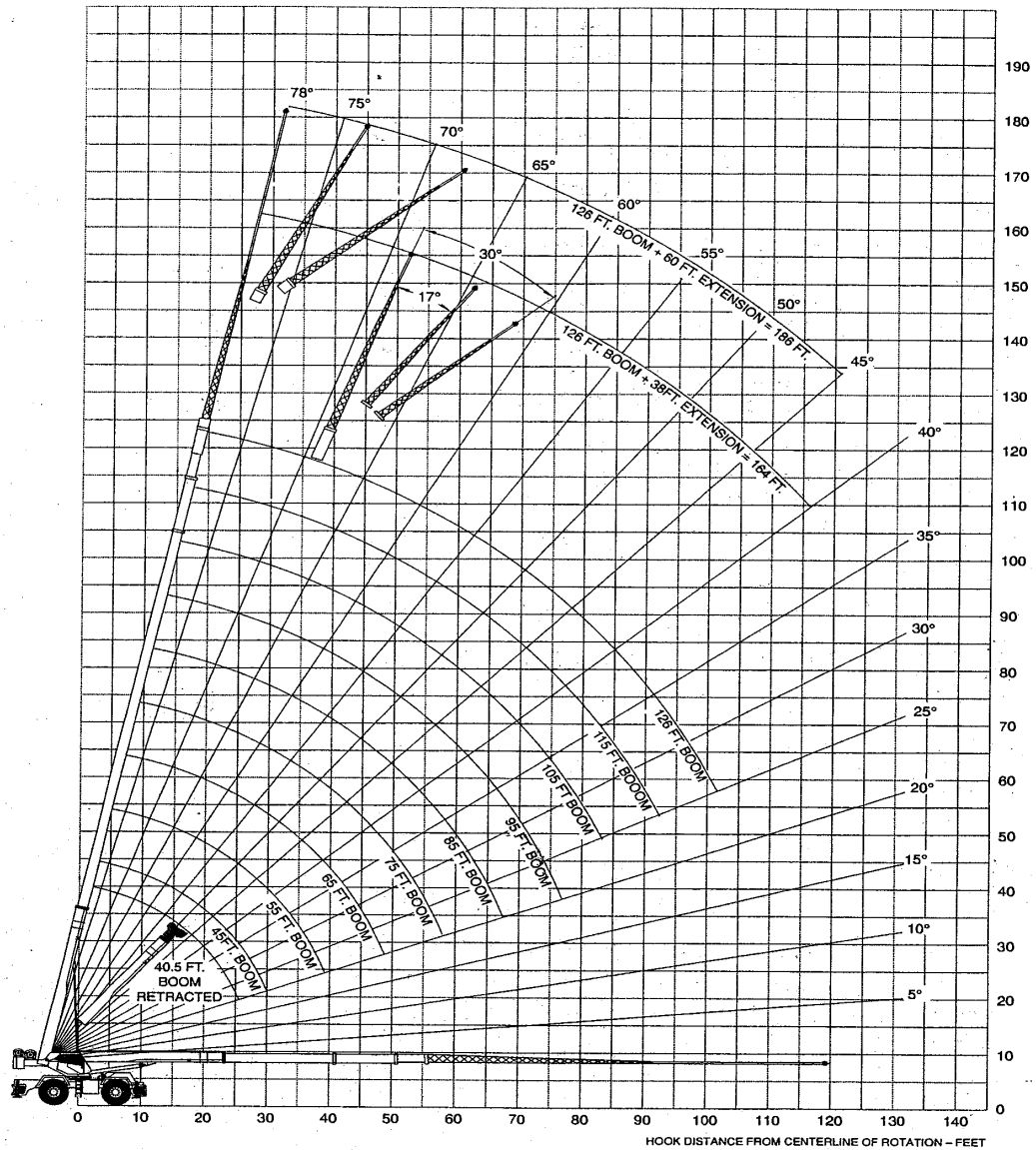
LIFTING CAPACITIES ON OUTRIGGERS - OVER 360° AT 0° BOOM ANGLE				
AREA OF OPERATION	BOOM ANGLE	MAIN BOOM LENGTH IN FEET		
		105	115	126
OVER 360°	0	0	0	0

Stability loads do not exceed 75%
15200 lb Total Counterweight
LMI Code #56

This Lifting Data is for informational purposes only. Do not use to operate the crane; refer to the Operator's Manual and Crane Rating Information supplied with each crane.

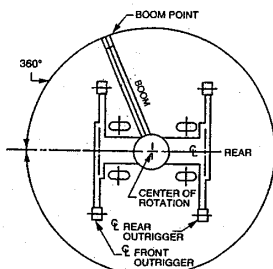


RANGE DIAGRAM FULL POWER BOOM

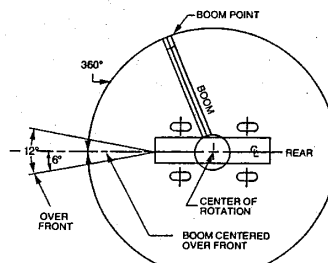


AREAS OF OPERATION – 3 AND 4 SECTION BOOMS

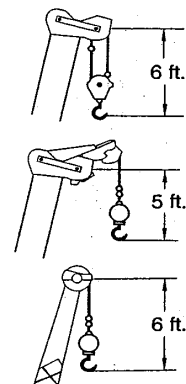
NOTE: These lines determine the limiting position of any load for operating within working areas indicated.



ON OUTRIGGERS



ON TIRES



This Lifting Data is for informational purposes only. Do not use to operate the crane; refer to the Operator's Manual and Crane Rating Information supplied with each crane.



WIRE ROPE REEVING ON TIRES

CHART #11	MAIN AND AUXILIARY HOIST REEVING 6X37 .75 INCH (19 MM) DIAMETER ROPE. - MINIMUM BREAKING STRENGTH 58800 LB. (26600 KG)									
	PARTS OF LINE	1	2	3	4	5	6	7	8	9
	MAX. LOAD - LBS.	15000	30000	45000	60000	75000	0	0	0	0
	MAX. LOAD - KGS.	6800	13600	20400	27200	34000	0	0	0	0
	MAIN AND AUXILIARY HOIST REEVING 8X19 ROATAION RESISTANT .75 INCH (19 MM) DIAMETER ROPE. - MINIMUM BREAKING STRENGTH 51800 LB. (23500 KG)									
	PARTS OF LINE	1	2	3	4	5	6	7	8	9
	MAX. LOAD - LBS.	10350	20700	31050	41400	51750	62100	72450	77900	0
	MAX. LOAD - KGS.	4700	9400	14100	18800	23500	28200	32900	35335	0

WIRE ROPE REEVING ON OUTRIGGERS

CHART #12	MAIN AND AUXILIARY HOIST REEVING 6X37 .75 INCH (19 MM) DIAMETER ROPE. - MINIMUM BREAKING STRENGTH 58800 LB. (26600 KG)										
	PARTS OF LINE	1	2	3	4	5	6	7	8	9	10
	MAX. LOAD - LBS.	15000	30000	45000	60000	75000	90000	105000	120000	135000	150000
	MAX. LOAD - KGS.	6800	13600	20400	27200	34000	40800	47600	54400	61200	68000
	AUXILIARY HOIST REEVING 8X19 .75 INCH (19 MM) DIAMETER ROPE. - MINIMUM BREAKING STRENGTH 51800 LB. (23500 KG)										
	PARTS OF LINE	1	2	3	4	5	6	7	8	9	10
	MAX. LOAD - LBS.	10350	20700	31050	41400	51750	62100	72450	82800	93150	103500
	MAX. LOAD - KGS.	4700	9400	14100	18800	23500	28200	32900	37600	42300	47000

This Lifting Data is for informational purposes only. Do not use to operate the crane; refer to the Operator's Manual and Crane Rating Information supplied with each crane.



LOAD RATINGS: POUNDS ON TIRES STATIC OVER FRONT 6°

CHART #13

RADIUS IN FEET	POWERED BOOM LENGTH IN FEET												RADIUS IN FEET
	40.5		45		55		65		75		85		
	△°	LOAD POUNDS FRONT	△°	LOAD POUNDS FRONT	△°	LOAD POUNDS FRONT	△°	LOAD POUNDS FRONT	△°	LOAD POUNDS FRONT	△°	LOAD POUNDS FRONT	
10	68	70700	71	70200	75	68900							10
12	65	61800	68	61400	72	60400	76	59500					12
15	60	51500	64	51200	69	50600	73	50000	76	49400			15
20	51	39500	56	39500	63	39200	68	38900	71	38500	74	38100	20
25	41	30000	48	30000	57	30000	63	30000	67	30000	71	30000	25
30	28	21400	38	21400	50	21400	58	21400	63	21400	67	21400	30
35					43	16600	52	16600	58	16600	63	16600	35
40					34	12800	46	12800	54	12800	59	12800	40
45							39	10300	48	10300	55	10300	45
50							31	8100	43	8100	50	8100	50
55									37	6700	45	6700	55
60									29	5200	40	5200	60
65											34	4100	65

MINIMUM BOOM ANGLE (DEGREES) FOR INDICATED BOOM LENGTH (NO LOAD)	-2°
MAXIMUM BOOM LENGTH (FEET) AT -2° BOOM ANGLE (NO LOAD)	75

LIFTING CAPACITIES ON TIRES - OVER FRONT AT 0° BOOM ANGLE						
BOOM ANGLE	MAIN BOOM LENGTH IN FEET					
	40.5	45	55	65	75	85
0	15500	12200	7500	4600	0	0

TIRE INFLATION DATA - PSI		
TIRE SIZE	ROADING	STATIC
29.5 X 25 TIRE 28 PR	55	75

Stability loads do not exceed 75%
15200 lb Total Counterweight
LMI Code #02

LOAD RATINGS: POUNDS ON TIRES STATIC 360°

CHART #14

RADIUS IN FEET	POWERED BOOM LENGTH IN FEET												RADIUS IN FEET
	40.5		45		55		65		75		85		
	△°	LOAD POUNDS FRONT	△°	LOAD POUNDS FRONT	△°	LOAD POUNDS FRONT	△°	LOAD POUNDS FRONT	△°	LOAD POUNDS FRONT	△°	LOAD POUNDS FRONT	
10	68	49200	71	49200	75	49200							10
12	65	41900	68	41900	72	41900	75	41900					12
15	60	33600	64	33600	69	33600	72	33600	75	33600			15
20	51	22200	56	22200	63	22200	67	22200	71	22200	74	22200	20
25	41	14800	48	14800	57	14800	62	14800	67	14800	70	14800	25
30	28	10300	38	10300	50	10300	57	10300	63	10300	67	10300	30
35					43	7800	52	7800	58	7800	62	7800	35
40					34	5600	46	5600	53	5600	58	5600	40
45							39	4000	48	4000	54	4000	45

MINIMUM BOOM ANGLE (DEGREES) FOR INDICATED BOOM LENGTH (NO LOAD)	-2°
MAXIMUM BOOM LENGTH (FEET) AT -2° BOOM ANGLE (NO LOAD)	55

LIFTING CAPACITIES ON TIRES - OVER FRONT AT 0° BOOM ANGLE						
BOOM ANGLE	MAIN BOOM LENGTH IN FEET					
	40.5	45	55	65	75	85
0	6800	5000	0	0	0	0

TIRE INFLATION DATA - PSI		
TIRE SIZE	ROADING	STATIC
29.5 X 25 TIRE 28 PR	55	55

Stability loads do not exceed 75%
15200 lb Total Counterweight
LMI Code #02

This Lifting Data is for informational purposes only. Do not use to operate the crane; refer to the Operator's Manual and Crane Rating Information supplied with each crane.



LOAD RATINGS: POUNDS ON TIRES CREEP OVER FRONT

RADIUS IN FEET	POWERED BOOM LENGTH IN FEET												RADIUS IN FEET
	40.5		45		55		65		75		85		
	△°	LOAD POUNDS FRONT	△°	LOAD POUNDS FRONT	△°	LOAD POUNDS FRONT	△°	LOAD POUNDS FRONT	△°	LOAD POUNDS FRONT	△°	LOAD POUNDS FRONT	
10	68	67600	71	67000	75	65500							10
12	65	59500	68	59000	72	57900	76	56800					12
15	60	50100	64	49800	69	49000	73	48200	76	47400			15
20	51	38900	56	38800	63	38400	68	37900	71	37500	74	37000	20
25	41	30000	48	30000	57	30000	63	30000	67	30000	71	30000	25
30	28	21400	38	21400	50	21400	58	21400	63	21400	67	21400	30
35					43	16600	52	16600	58	16600	63	16600	35
40					34	12800	46	12800	54	12800	59	12800	40
45							39	10300	48	10300	55	10300	45
50							31	8100	43	8100	50	8100	50
55									37	6700	45	6700	55
60									29	5200	40	5200	60
65											34	4100	65

MINIMUM BOOM ANGLE (DEGREES) FOR INDICATED BOOM LENGTH (NO LOAD)	-2°
MAXIMUM BOOM LENGTH (FEET) AT -2° BOOM ANGLE (NO LOAD)	75

BOOM ANGLE	LIFTING CAPACITIES ON TIRES - OVER FRONT AT 0° BOOM ANGLE						TIRE INFLATION DATA - PSI		
	MAIN BOOM LENGTH IN FEET						TIRE SIZE	ROADING	CREEP
	40.5	45	55	65	75	85	29.5 X 25 TIRE 28PR	55	75
0	15500	12200	7500	4600	0	0			

Stability loads do not exceed 75%
15200 lb Total Counterweight
LMI Code #01

LOAD RATINGS: POUNDS ON TIRES 2 1/2 MPH OVER FRONT

RADIUS IN FEET	POWERED BOOM LENGTH IN FEET												RADIUS IN FEET
	40.5		45		55		65		75		85		
	△°	LOAD POUNDS FRONT	△°	LOAD POUNDS FRONT	△°	LOAD POUNDS FRONT	△°	LOAD POUNDS FRONT	△°	LOAD POUNDS FRONT	△°	LOAD POUNDS FRONT	
10	68	51200	71	50700	75	49700							10
12	65	44800	68	44400	72	43700	76	42900					12
15	60	37300	64	37100	69	36700	73	36100	76	35600			15
20	51	28400	56	28400	63	28200	68	28000	71	27600	74	27300	20
25	41	22300	48	22300	57	22300	63	22200	67	22000	71	21900	25
30	28	17800	38	17800	50	17800	58	17800	63	17800	67	17800	30
35					43	14600	52	14600	58	14600	63	14600	35
40					34	11900	46	11900	54	11900	59	11900	40
45							39	9900	48	9900	55	9900	45
50							31	8100	43	8100	50	8100	50
55									37	6700	45	6700	55
60									29	5200	40	5200	60
65											34	4100	65

MINIMUM BOOM ANGLE (DEGREES) FOR INDICATED BOOM LENGTH (NO LOAD)	-2°
MAXIMUM BOOM LENGTH (FEET) AT -2° BOOM ANGLE (NO LOAD)	75

BOOM ANGLE	LIFTING CAPACITIES ON TIRES - OVER FRONT AT 0° BOOM ANGLE						TIRE INFLATION DATA - PSI		
	MAIN BOOM LENGTH IN FEET						TIRE SIZE	ROADING	2-1/2 MPH
	40.5	45	55	65	75	85	29.5 X 25 TIRE 28 PR	55	65
0	15500	12200	7500	4600	0	0			

Stability loads do not exceed 75%
15200 lb Total Counterweight
LMI Code #00

This Lifting Data is for informational purposes only. Do not use to operate the crane; refer to the Operator's Manual and Crane Rating Information supplied with each crane.



DEDUCTIONS WHEN LIFTING

On Outriggers

NOTE: THESE LOADS DEDUCTIONS APPLY ONLY TO TEREX CRANES SUPPLIED EQUIPMENT

CHART #17	HOISTING LOAD FROM POWERED BOOM ON OUTRIGGERS DEDUCTIONS TO BE MADE FROM LOAD RATINGS IN POUNDS		HOOK BLOCK ON EXT. POINT	HOOK BLOCK ON BOOM POINT			
				8.5 - 20 TON	75 TON	8.5 - 20 TON WITH AUXILIARY SHEAVE	75 TON WITH AUXILIARY SHEAVE
	HOOK BLOCK WEIGHT			580	1220	775	1415
	40 FT. LATTICE EXTENSION	STOWED		580	1220	775	1415
		ERECTED ONLY		5800	6450	6000	6650
		8.5 - 15 TON BALL		7100	7750	7300	7950
		20 TON BLOCK		7200	8050	7600	8250
	60 FT. LATTICE EXTENSION	ERECTED ONLY		6850	7500	7000	7700
		8.5 - 15 TON BALL		8550	9200	8750	9400
		20 TON BLOCK		8950	9600	9150	9800

	HOISTING LOAD FROM EXTENSION ON OUTRIGERS DEDUCTIONS TO BE MADE FROM LOAD RATINGS IN POUNDS		HOOK BLOCK ON EXT. POINT	HOOK BLOCK ON BOOM POINT			
				8.5 - 20 TON	75 TON	8.5 - 20 TON WITH AUXILIARY SHEAVE	75 TON WITH AUXILIARY SHEAVE
	HOOK BLOCK WEIGHT			580	1220	775	1415
	40 FT. LATTICE EXTENSION	8.5 - 15 TON BALL	470	850	1220	950	1300
		20 TON BLOCK	580	950	1300	1050	1450
	60 FT. LATTICE EXTENSION	8.5 - 15 TON BALL	470	800	1100	900	1200
		20 TON HOOK	580	900	1200	1000	1350

On Tires

CHART #18	HOISTING LOAD ON TIRES DEDUCTIONS TO BE MADE FROM LOAD RATINGS IN POUNDS		HOOK BLOCK ON BOOM POINT			
			8.5 - 20 TON	75 TON	8.5 - 20 TON WITH AUXILIARY SHEAVE	75 TON WITH AUXILIARY SHEAVE
	HOOK BLOCK WEIGHT		580	1220	775	1415
	40 FT. LATTICE EXTENSION	STOWED	1150	1220	1350	1415
			1800		2000	

Reading The Load Chart Deduction

Read the deduction chart from left to right and top to bottom
When lifting load make only one deduction per column from chart

Bigge Crane and Rigging Co.

10700 Bigge Avenue
San Leandro, CA 94577
Phone: (888) 337-BIGGE or (510) 638-8100
Fax: (510) 639-4053
Email: info@bigge.com
Web site: www.bigge.com

This Lifting Data is for informational purposes only. Do not use to operate the crane; refer to the Operator's Manual and Crane Rating Information supplied with each crane.

